



US00D826045S

(12) **United States Design Patent** (10) **Patent No.:** **US D826,045 S**
Pudselykke (45) **Date of Patent:** **** Aug. 21, 2018**

(54) **CONTAINER LID WITH CORNER LEVER**

19/12; A47J 27/00; A47J 27/002; A47J 27/004; A47J 27/08; A47J 27/21; A47J (Continued)

(71) Applicant: **SUPERFOS A/S**, Taastrup (DK)

(72) Inventor: **Lars Pudselykke**, Holbaek (DK)

(56) **References Cited**

(73) Assignee: **RPC SUPERFOS A/S**, Taastrup (DK)

U.S. PATENT DOCUMENTS

(**) Term: **15 Years**

D271,554 S * 11/1983 Grusin D7/392.1
D288,163 S * 2/1987 Ritman D7/545
(Continued)

(21) Appl. No.: **29/560,421**

(22) Filed: **Apr. 6, 2016**

Primary Examiner — Thomas Johannes
Assistant Examiner — Catherine S Posthauer
(74) *Attorney, Agent, or Firm* — Polson Intellectual Property Law, PC; Margaret Polson

Related U.S. Application Data

(63) Continuation of application No. 13/521,625, filed as application No. PCT/EP2011/050152 on Jan. 7, 2011, now abandoned.

(51) **LOC (11) Cl.** **09-07**

(57) **CLAIM**

The ornamental design for a container lid with corner lever, as shown and described.

(52) **U.S. Cl.**

USPC **D9/435**

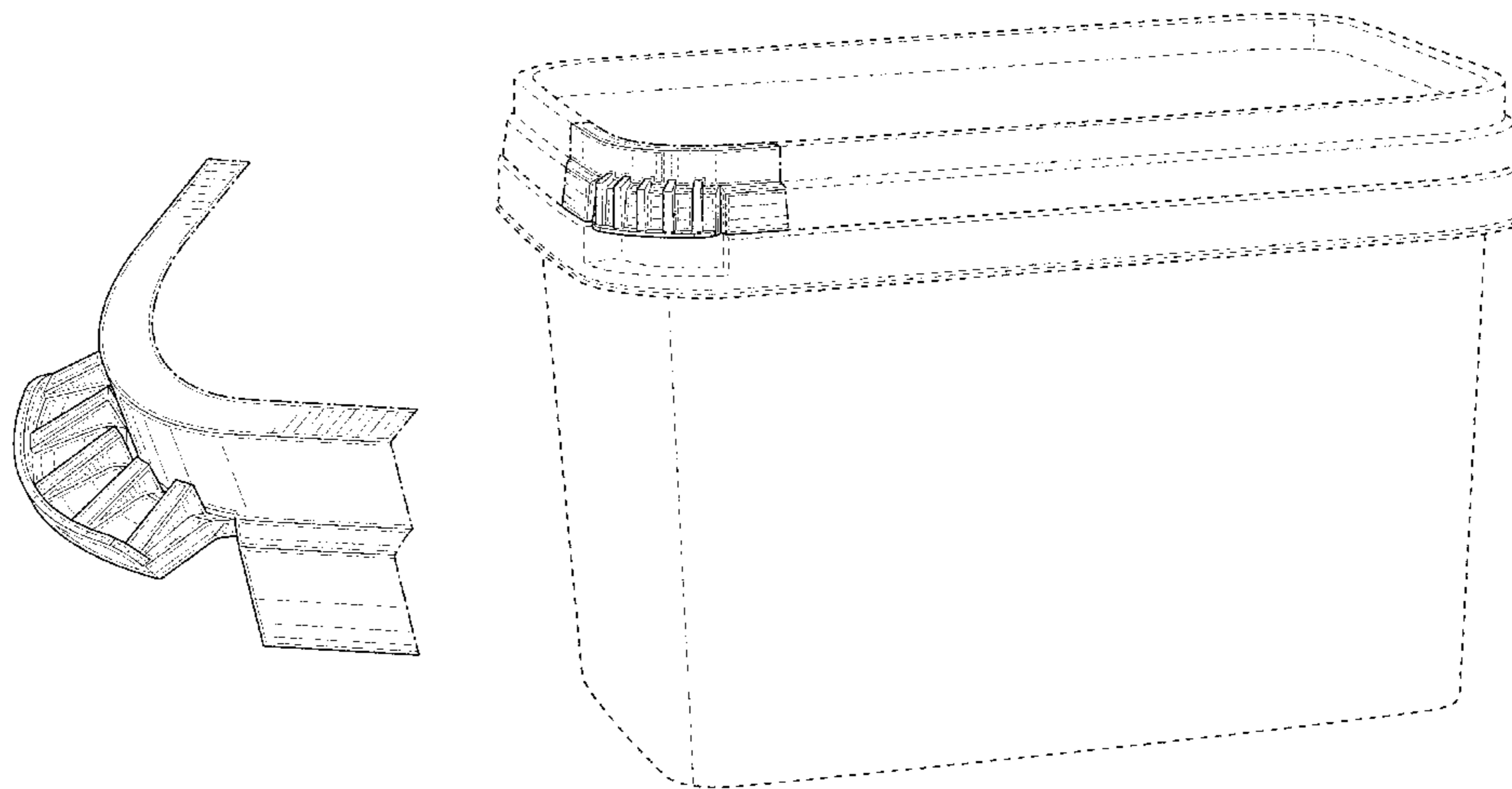
(58) **Field of Classification Search**

DESCRIPTION

USPC D3/272, 273, 302, 304, 309–315, 319, D3/901; D6/315, 318, 477, 478, 479, D6/512, 515–525, 536, 553, 567, 570, D6/571, 672, 673, 675, 1, 675.2, 675.5, D6/684, 696, 698, 699, 700; D7/311, D7/326, 339, 356, 357, 401.1, 415, 354, D7/359, 390, 402, 409, 550.1, 552.1, D7/553.1, 553.2, 554.1, 600.1, 602–609, D7/614, 637, 672–674, 698, 701, 704, 5, D7/50.1, 672–674; D9/414, 418, D9/420–424, 427, 430–435, 455, 456, D9/517, 737, 738, 740, 741, 744, 745, D9/755, 759; D12/406, 411, 419, 425, D12/426; D14/219, 260.1, 447; D19/1, D19/27, 102, 103; D21/832; D24/127, D24/128, 216, 224, 227–230; D25/1, 2, D25/3, 16, 56, 61, 100, 101; D28/61, 73, D28/76; D32/55, 58
CPC B65D 11/02; B65D 11/18; B65D 85/30; B65D 85/32; B65D 1/243; B65D 43/02; B65D 43/0212; B65D 43/0256; A47G

FIG. 1 is a perspective end view of a corner portion of a rectangular container lid with corner lever showing my new design,
FIG. 2 is another perspective view thereof, with the corner lever in an alternative position of use,
FIG. 3 is an enlarged alternate perspective view of the corner portion of the lid as shown in FIG. 1;
FIG. 4 is an enlarged alternate perspective view of the corner portion of the lid as shown from FIG. 2;
FIG. 5 is an alternate perspective view of the lid of FIG. 1, mounted on an exemplary container; and,
FIG. 6 is an alternate perspective view of the lid of FIG. 2, mounted on an exemplary container.
The evenly broken lines are shown for the purpose of illustrating environmental subject matter of a container and part of the article and form no part of the claimed design. The dot-dash lines represent unclaimed boundaries of the claim and form no part thereof.

1 Claim, 6 Drawing Sheets



(58) **Field of Classification Search**

CPC 27/58; A47J 37/00; A47J 37/10; A47J
37/101; A47J 37/103; A47J 37/1204;
A47J 37/0704; A47J 29/00; A47J 29/02;
A47J 29/04; A47J 29/06; A47J 36/025;
H05B 6/06; H05B 6/12; A01K 41/02;
A01K 41/026; A01K 41/04; A47F
5/0807; B65B 1/04; A23B 5/00; A23B
5/005; A23B 5/0052; F26B 25/18; A47B
73/00

See application file for complete search history.

(56) **References Cited**

U.S. PATENT DOCUMENTS

D289,719 S * 5/1987 Daenen D7/392.1
D352,203 S * 11/1994 Campbell D7/546
D496,560 S * 9/2004 Lerner D7/629
D564,287 S * 3/2008 Bouveret D7/392.1
D598,282 S * 8/2009 Abrahamsson D9/424
D600,111 S * 9/2009 Gerulski D9/424
D611,807 S * 3/2010 Miga, Jr. D9/424
D616,705 S * 6/2010 DuBois D7/510
D637,489 S * 5/2011 Petlak D9/434
D638,704 S * 5/2011 Petlak D9/435
D661,543 S * 6/2012 Bouveret D7/392.1

D665,662 S * 8/2012 Schick D9/425
D682,687 S * 5/2013 McCumber D9/435
D686,450 S * 7/2013 Yessin D7/392.1
D693,671 S * 11/2013 Bontrager D9/425
D693,672 S * 11/2013 Bontrager D9/425
D697,762 S * 1/2014 Carlson D7/602
D697,763 S * 1/2014 Carlson D7/602
D697,764 S * 1/2014 Carlson D7/602
D703,996 S * 5/2014 Shirley D7/391
D706,573 S * 6/2014 Carlson D7/391
D708,016 S * 7/2014 Carlson D7/602
D708,017 S * 7/2014 Carlson D7/602
D708,018 S * 7/2014 Carlson D7/602
D708,896 S * 7/2014 Carlson D7/391
D708,897 S * 7/2014 Carlson D7/391
D708,898 S * 7/2014 Carlson D7/391
D708,899 S * 7/2014 Carlson D7/391
D710,146 S * 8/2014 Carlson D7/391
D716,603 S * 11/2014 Yessin D7/391
D716,613 S * 11/2014 Carlson D7/602
D717,119 S * 11/2014 Carlson D7/602
D717,120 S * 11/2014 Carlson D7/602
D717,121 S * 11/2014 Carlson D7/602
D730,112 S * 5/2015 Yessin D7/392.1
2013/0098914 A1 * 4/2013 Pudselykke B65D 43/0212
220/270
2013/0327670 A1 * 12/2013 Frederiksen B29C 66/71
206/459.5

* cited by examiner

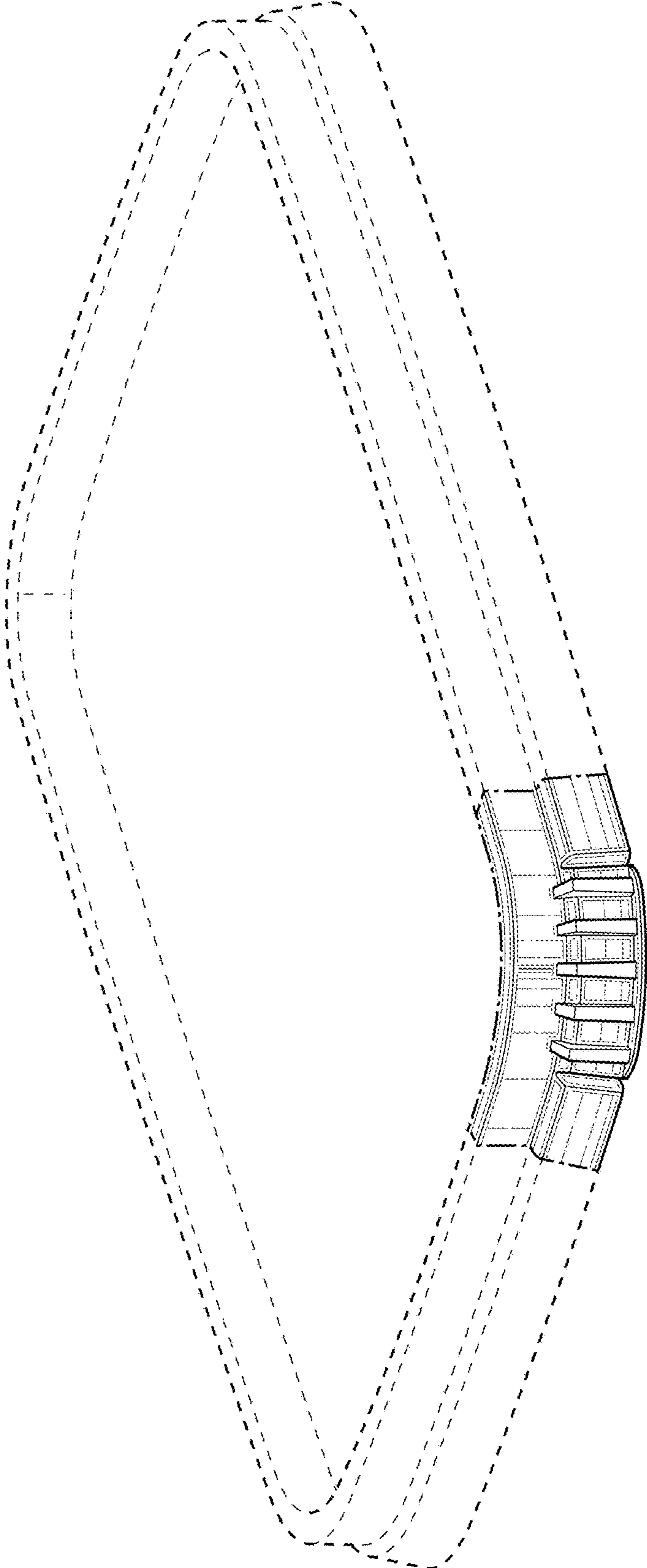


FIG. 1

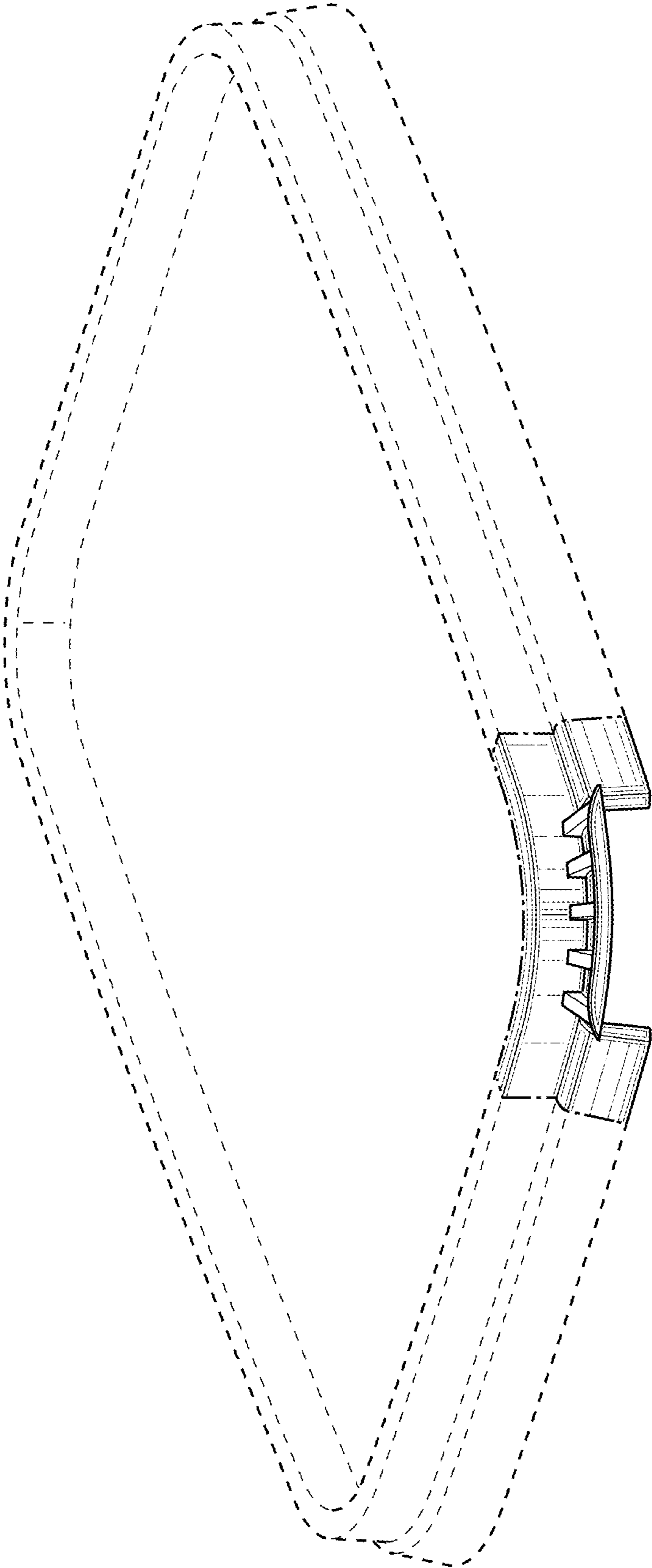


FIG. 2

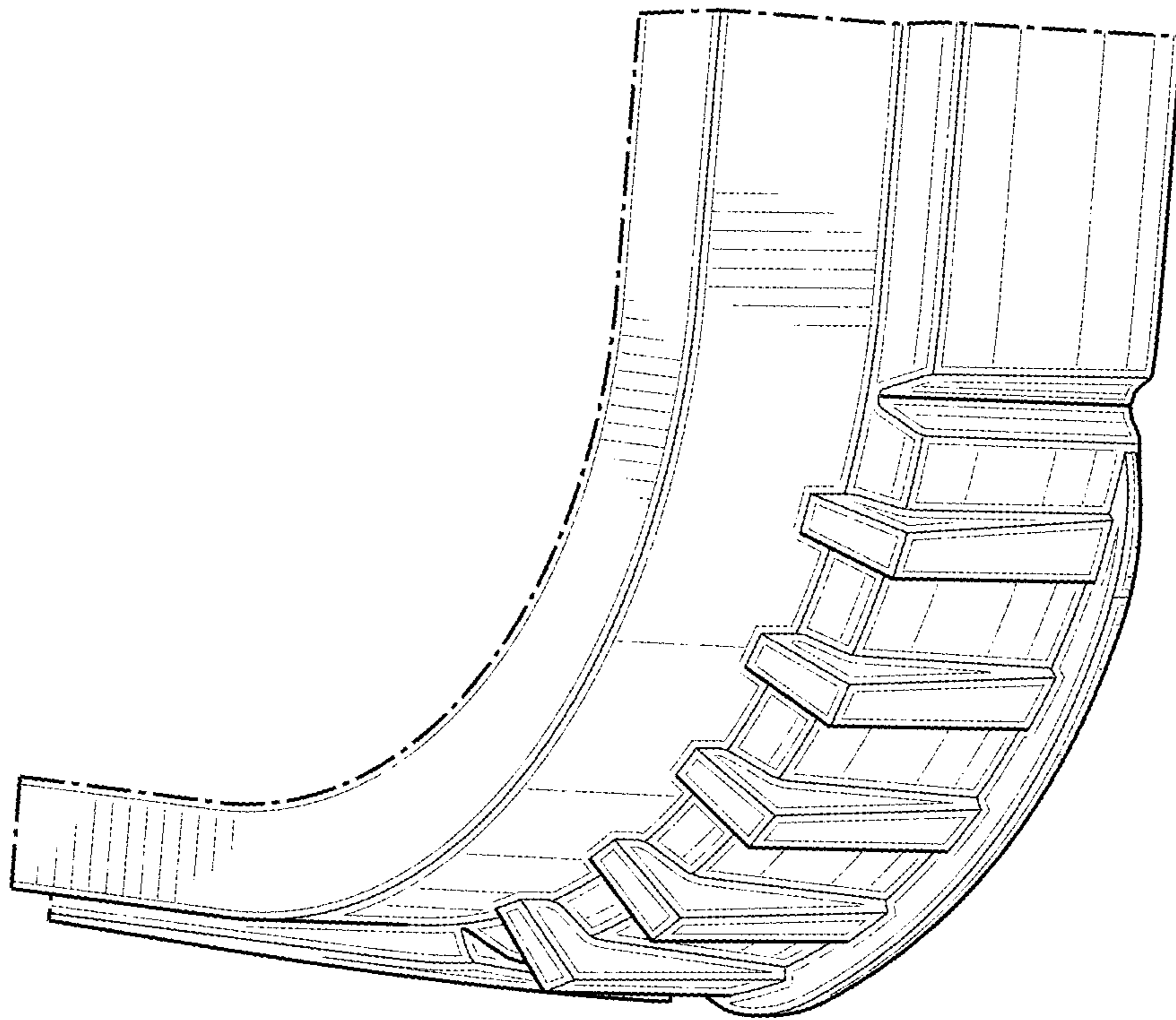


FIG. 3

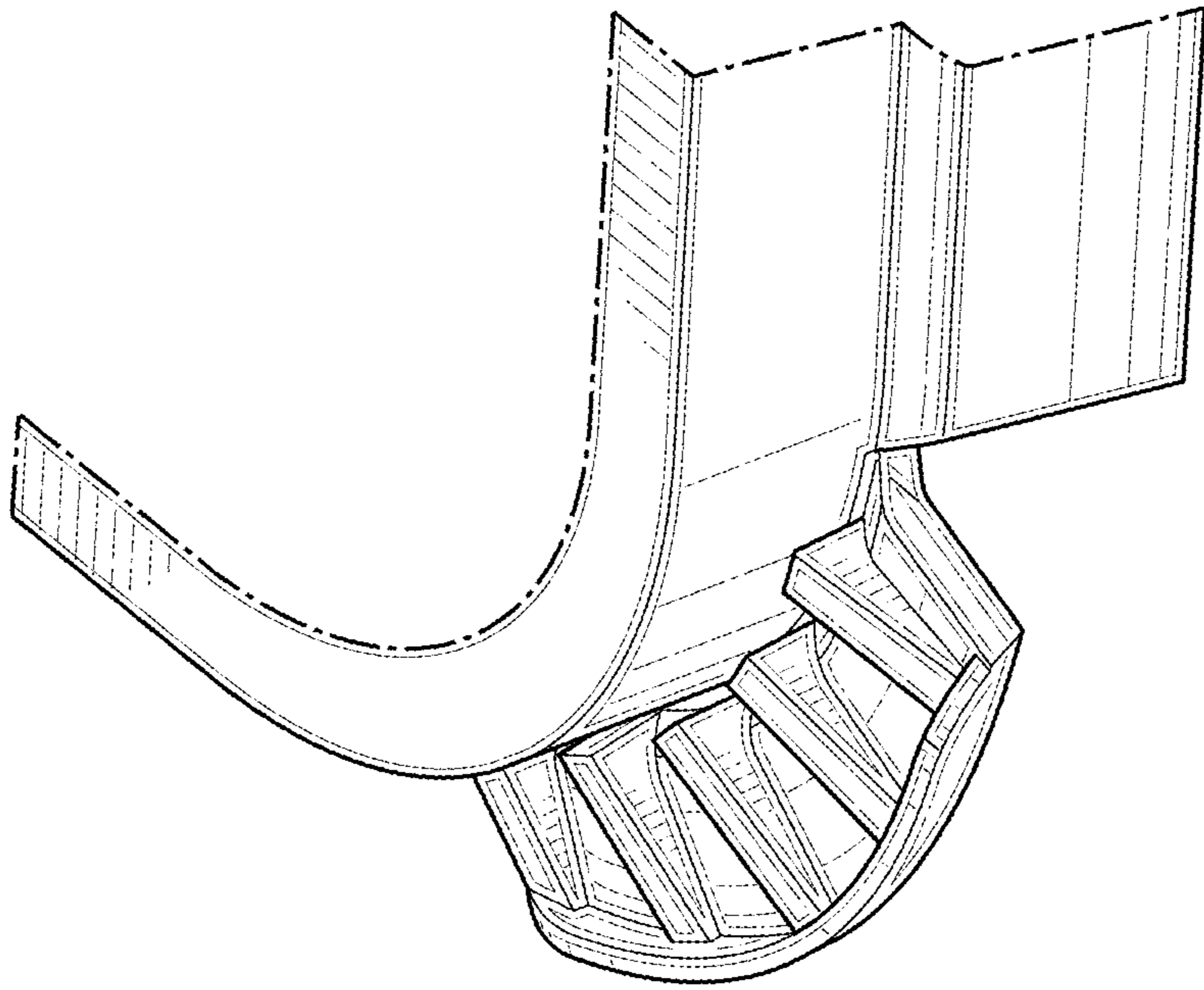


FIG. 4

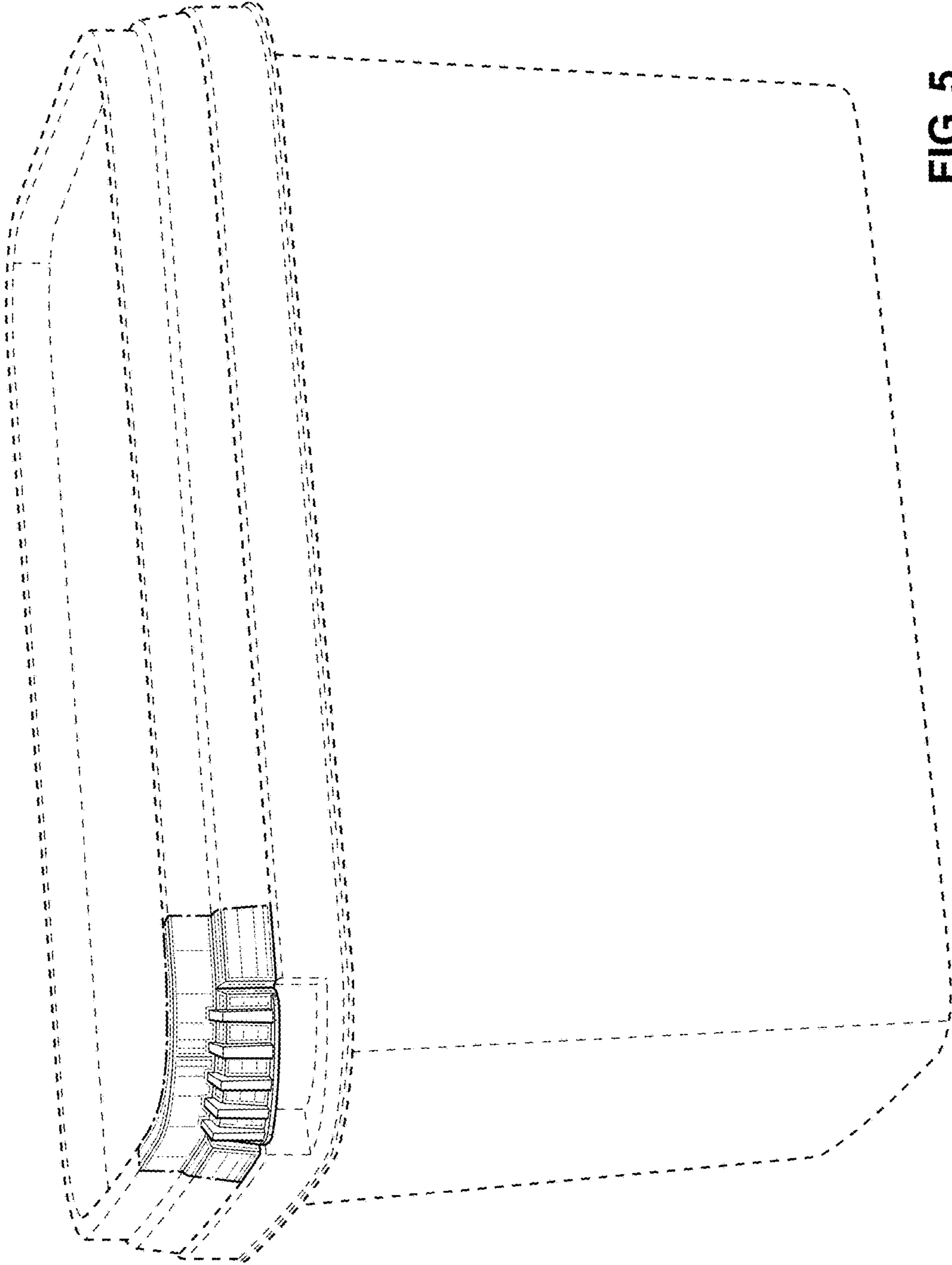


FIG. 5

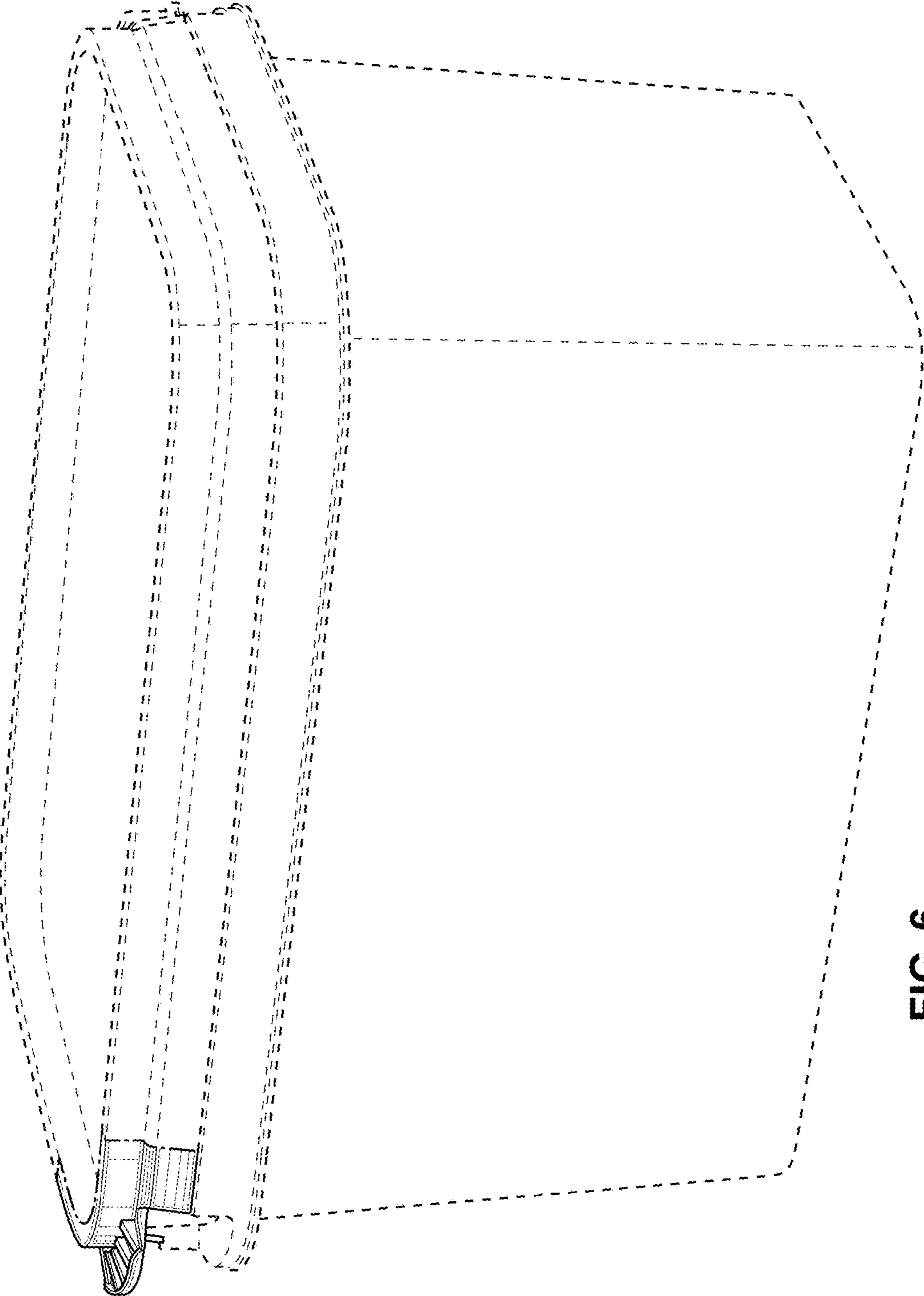


FIG. 6