



US00D826044S

(12) **United States Design Patent**
Jefferies

(10) **Patent No.:** **US D826,044 S**

(45) **Date of Patent:** **** Aug. 21, 2018**

(54) **CAP HOLDING POCKET ATTACHMENT FOR A CONTAINER**

(71) Applicant: **Paul Jefferies**, Alliston (CA)

(72) Inventor: **Paul Jefferies**, Alliston (CA)

(**) Term: **15 Years**

(21) Appl. No.: **29/552,262**

(22) Filed: **Jan. 21, 2016**

(51) **LOC (11) Cl.** **09-07**

(52) **U.S. Cl.**
USPC **D9/434**

(58) **Field of Classification Search**

USPC D3/207, 208, 211, 215, 247, 249, 303,
D3/328; D7/387, 388, 391, 392, 392.1,
D7/396.1, 396.2, 397, 404, 602, 637;
D9/434, 436, 445, 446, 457; D19/1-12,
D19/20-34; D20/27, 40
CPC B65D 23/003; B65D 23/005; B65D 23/02;
B65D 23/06; B65D 23/14; B65D 39/007;
B65D 43/0277; B65D 43/0279; B65D
43/0285; B65D 43/12; G09F 2003/027;
A45C 13/42; A45F 2200/0583; A45F
2200/0541

See application file for complete search history.

(56) **References Cited**

U.S. PATENT DOCUMENTS

535,353 A 3/1895 Burrage
2,423,818 A * 7/1947 Schmutzler G09F 3/14
40/662
2,717,463 A * 9/1955 Sindler A47J 43/27
248/468
D202,973 S * 11/1965 Field D20/27
3,352,040 A * 11/1967 Javkin A45C 13/42
40/662
3,429,065 A * 2/1969 Long A45C 13/42
40/662
3,751,835 A * 8/1973 Smith G09F 3/005
40/633

(Continued)

FOREIGN PATENT DOCUMENTS

DE 29602515 U1 * 7/1996 A45C 13/42
FR 1234236 A * 10/1960 A45C 13/42
FR 2460514 A1 * 1/1981 A45C 13/42

OTHER PUBLICATIONS

Luggage Tags: Site Visited Nov. 9, 2017. Available from Internet
URL: <http://www.deltacardztechnology.com/luggage-tags-1365323.html>.*

(Continued)

Primary Examiner — Jennifer Rivard
Assistant Examiner — Catherine S Posthauer

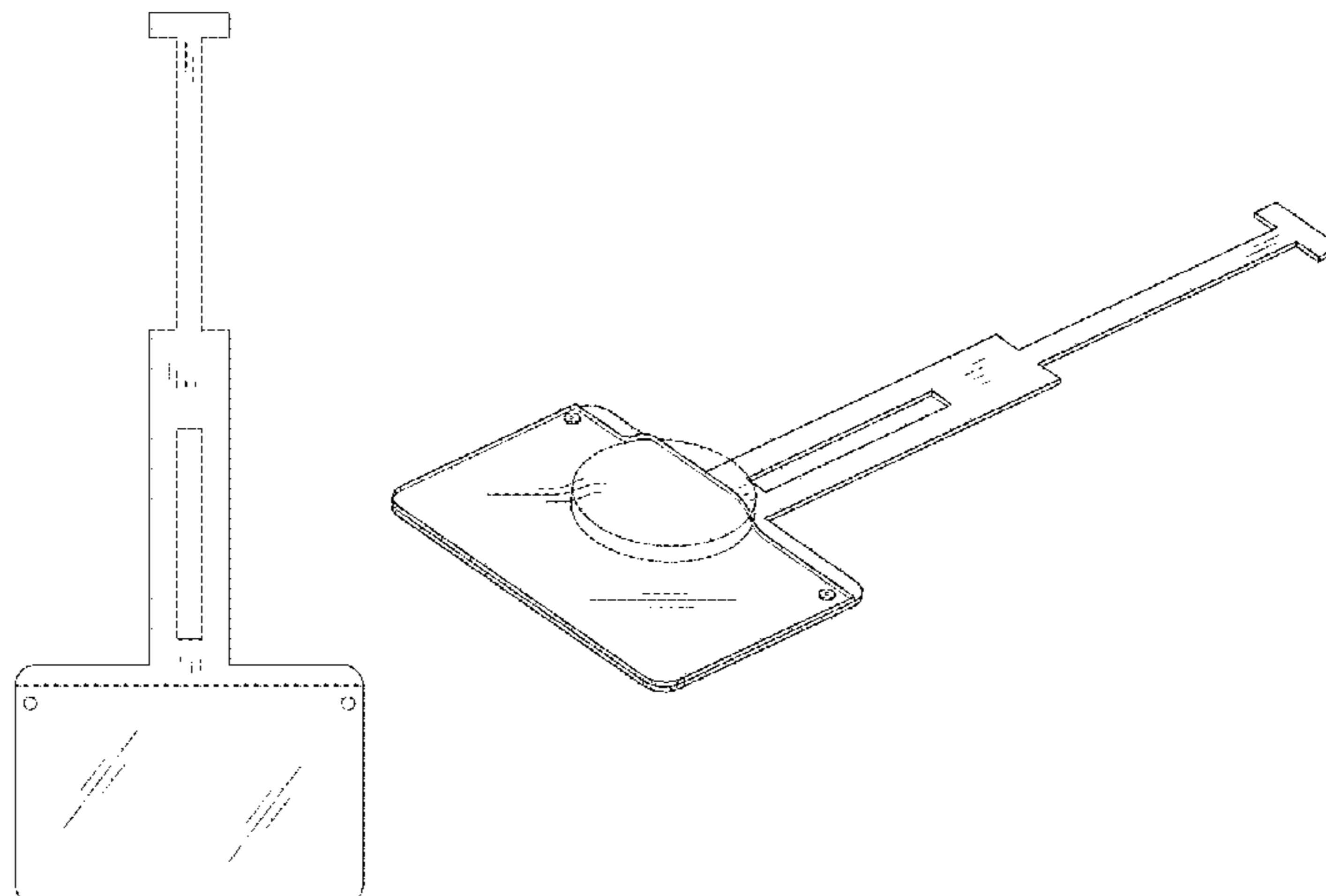
(57) **CLAIM**

The ornamental design for a cap holding pocket attachment for a container, as shown and described.

DESCRIPTION

FIG. 1 is a front view of a cap holding pocket attachment for a container showing my new design;
FIG. 2 is a rear view of the cap holding pocket attachment for a container;
FIG. 3 is a left side view of the cap holding pocket attachment for a container, a right side view being a mirror image thereof;
FIG. 4 is a top view of the cap holding pocket attachment for a container;
FIG. 5 is a bottom view of the cap holding pocket attachment for a container; and,
FIG. 6 is a bottom front side perspective view of the cap holding pocket attachment for a container in use.
The broken lines are shown for the purpose of illustrating environmental subject matter of a cap and form no part of the claimed design.

1 Claim, 4 Drawing Sheets



(56)

References Cited

U.S. PATENT DOCUMENTS

D233,274 S * 10/1974 Klitzner D20/27
 D234,473 S * 3/1975 Ringle D20/22
 D241,519 S * 9/1976 Mathews D8/394
 D259,128 S * 5/1981 Daenen D19/10
 4,266,354 A * 5/1981 Daenen G09F 3/18
 40/665
 D261,905 S * 11/1981 Smith D19/10
 D272,368 S * 1/1984 Fontaine D19/10
 D272,369 S * 1/1984 Fontaine D19/10
 D272,370 S * 1/1984 Fontaine D19/10
 D287,864 S * 1/1987 Perfect D20/22
 D338,404 S 8/1993 Engelmohr et al.
 5,400,928 A 3/1995 Resnick
 5,573,152 A * 11/1996 Arnold B65D 23/003
 215/399
 D377,810 S * 2/1997 Chaperon D20/27
 D404,703 S 1/1999 Glazer
 6,036,061 A 3/2000 O'Donnell

6,471,391 B1 * 10/2002 Opitz A47J 43/27
 366/129
 D501,625 S * 2/2005 Biggerstaff D7/213
 D505,673 S * 5/2005 Montemayor D14/229
 D527,891 S * 9/2006 Hoeksema D3/207
 7,341,149 B2 3/2008 DeAntoni
 7,513,394 B2 4/2009 Bone
 D733,551 S * 7/2015 St Rose D9/414
 D755,060 S * 5/2016 Bayona Valero D9/711
 D774,351 S * 12/2016 Breit D7/394
 2005/0199631 A1 * 9/2005 Alois B65D 39/0005
 220/375
 2017/0129660 A1 * 5/2017 Hsu A47K 10/421

OTHER PUBLICATIONS

British Airways Luggage Tag: Announced Jun. 28, 2013 [online],
 site visited [Nov. 9, 2017]. Available from Internet URL: <https://www.geek.com/chips/british-airways-to-start-using-nfc-enabled-e-ink-luggage-tags-1560517/>.*

* cited by examiner

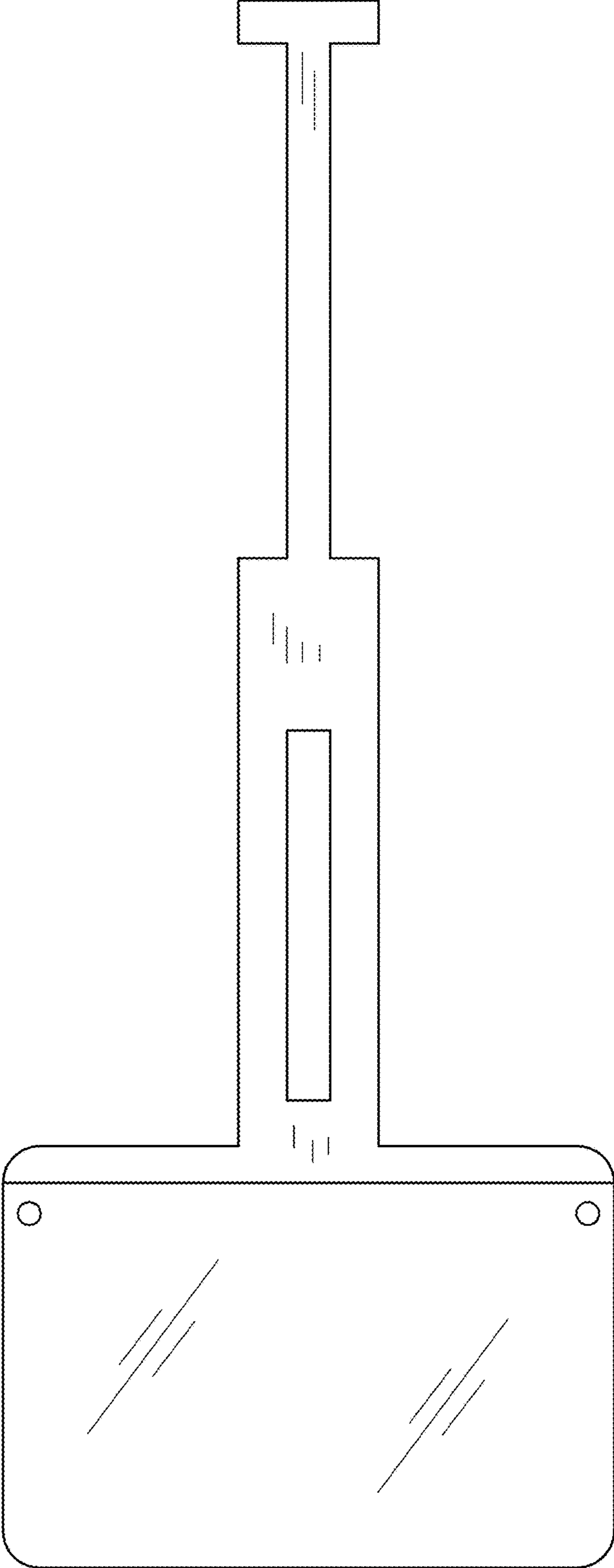


FIG. 1

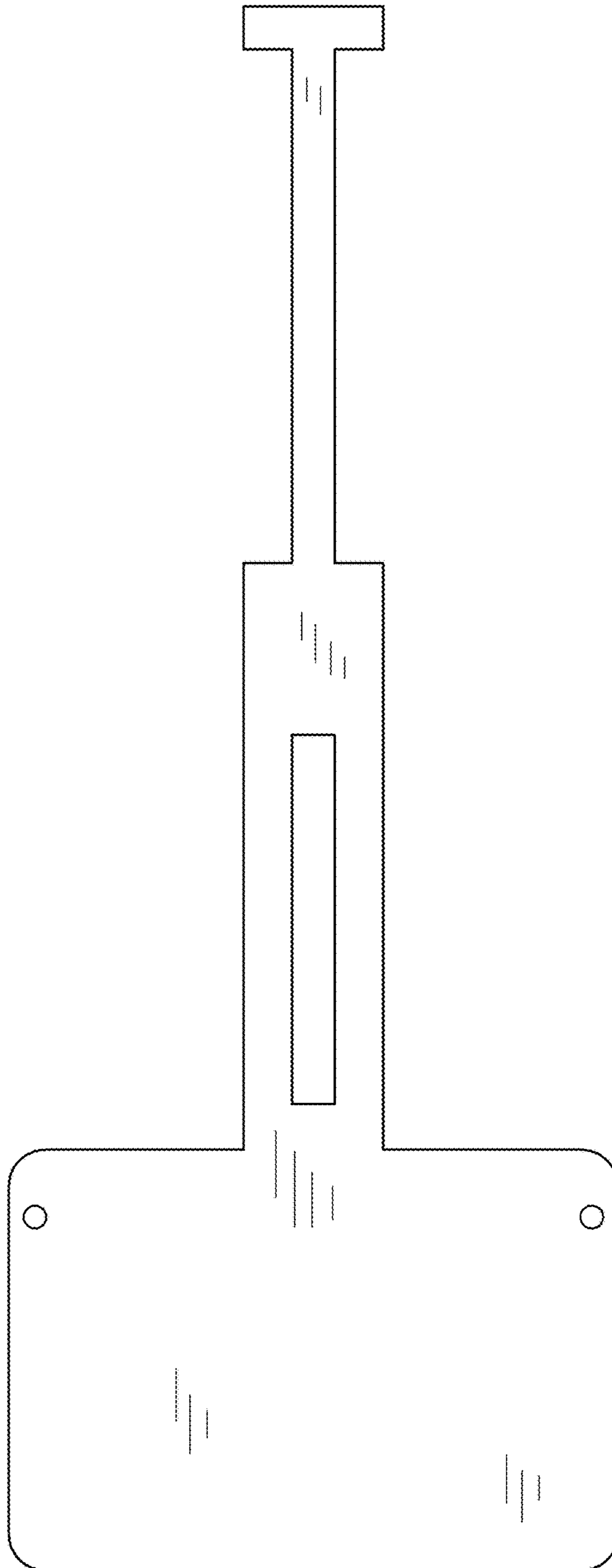


FIG. 2

FIG. 3

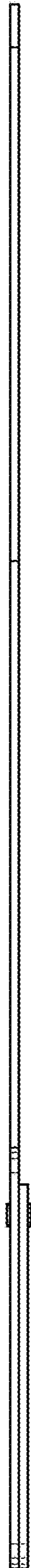


FIG. 4

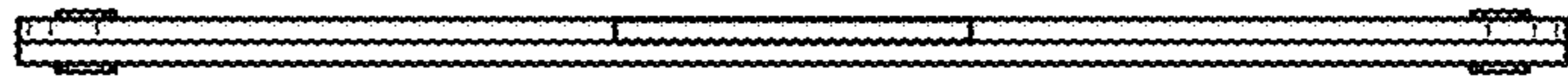
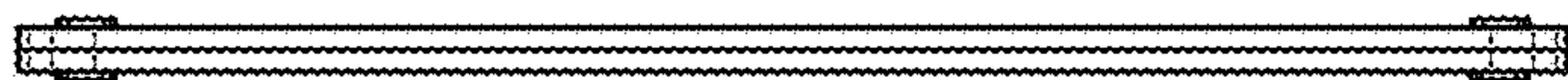


FIG. 5



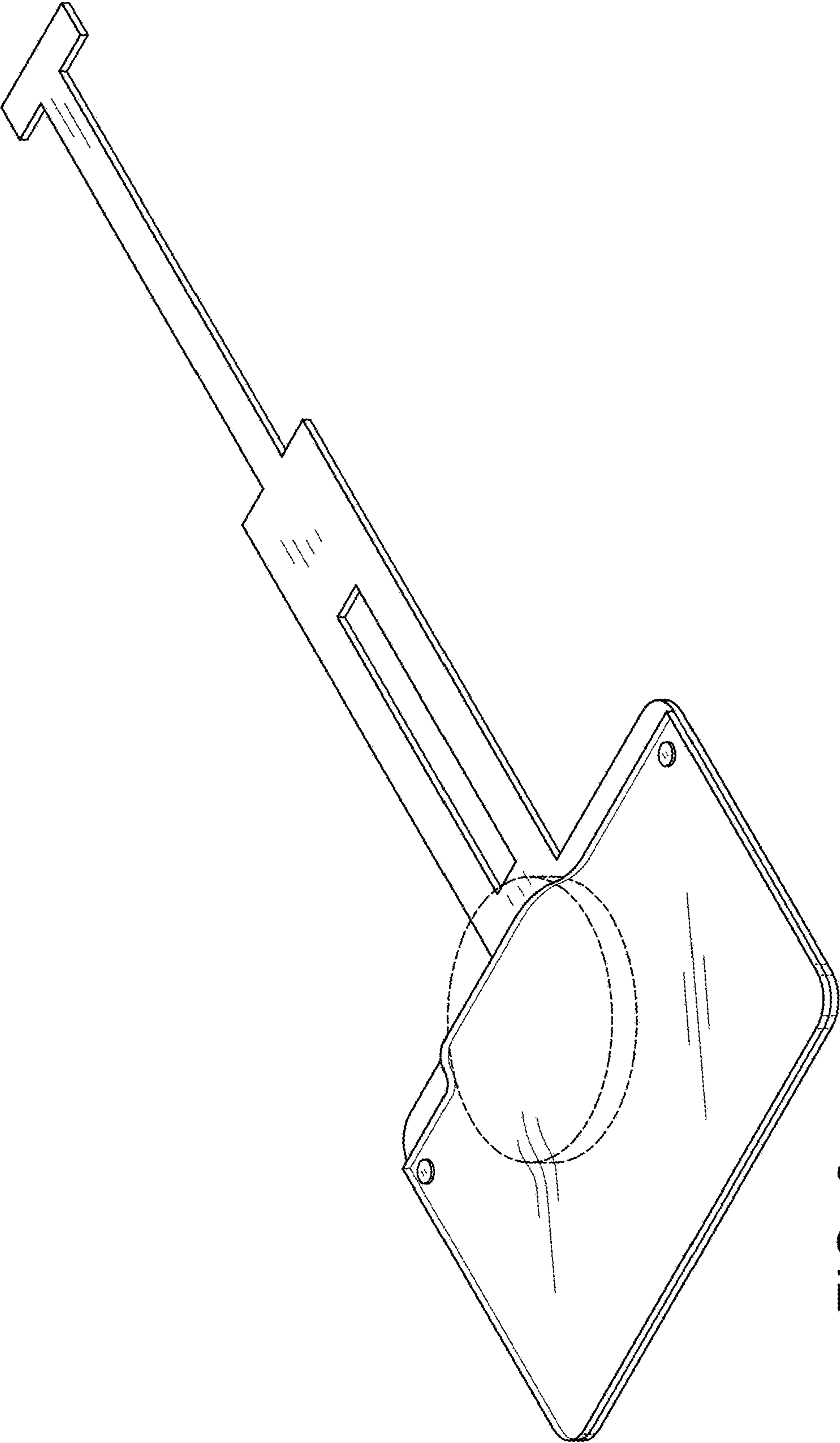


FIG. 6