



US00D826040S

(12) **United States Design Patent** (10) **Patent No.:** **US D826,040 S**
Owens et al. (45) **Date of Patent:** **** Aug. 21, 2018**

- (54) **PRODUCT TRANSPORT CONTAINER** 4,863,064 A * 9/1989 Dailey, III B65D 75/54
206/494
- (71) Applicant: **Phase Change Energy Solutions, Inc.,** 5,582,294 A 12/1996 Yamada
Asheboro, NC (US) 6,540,098 B1 4/2003 Jarvis et al.
D512,305 S 12/2005 Ramirez et al.
D531,894 S * 11/2006 Ramirez D9/423
- (72) Inventors: **Byron Craig Owens,** Asheboro, NC 7,165,695 B2 1/2007 Choi
(US); **Reyad I. Sawafta,** Greensboro, 7,252,195 B2 8/2007 Mandle et al.
NC (US) 8,146,330 B2 * 4/2012 Nakamura B29C 65/02
53/133.3
- (73) Assignee: **Phase Change Energy Solutions, Inc.,** D668,119 S * 10/2012 Everson B65D 43/162
Asheboro, NC (US) D7/629
- (**) Term: **15 Years** D734,147 S 7/2015 Kwak et al.
D764,276 S * 8/2016 Das D9/425
(Continued)

(21) Appl. No.: **29/629,791**

Primary Examiner — Lauren R Calve

(22) Filed: **Dec. 15, 2017**

(74) *Attorney, Agent, or Firm* — John P. Zimmer; Nexsen Pruet, PLLC

Related U.S. Application Data

(62) Division of application No. 29/596,269, filed on Mar. 7, 2017, now Pat. No. Des. 808,795.

(51) **LOC (11) Cl.** **09-03**

(52) **U.S. Cl.**
USPC **D9/425**

(58) **Field of Classification Search**
USPC D9/414, 415, 418, 424, 425, 426, 430,
D9/730, 733, 734; D3/201, 203.1, 273,
D3/294, 298, 299, 300, 304, 314;
D6/515, 518
CPC A47K 10/427; A47K 10/424; A47K 10/42;
A47K 10/423; B65D 83/0805; B65D
83/0841; B65D 85/671
See application file for complete search history.

(56) **References Cited**

U.S. PATENT DOCUMENTS

- D230,569 S 3/1974 Fallowfield
- D230,955 S 3/1974 Katzenmeyer
- D234,273 S 2/1975 Wilson et al.
- D282,245 S * 1/1986 Yeung D9/425

(57) **CLAIM**

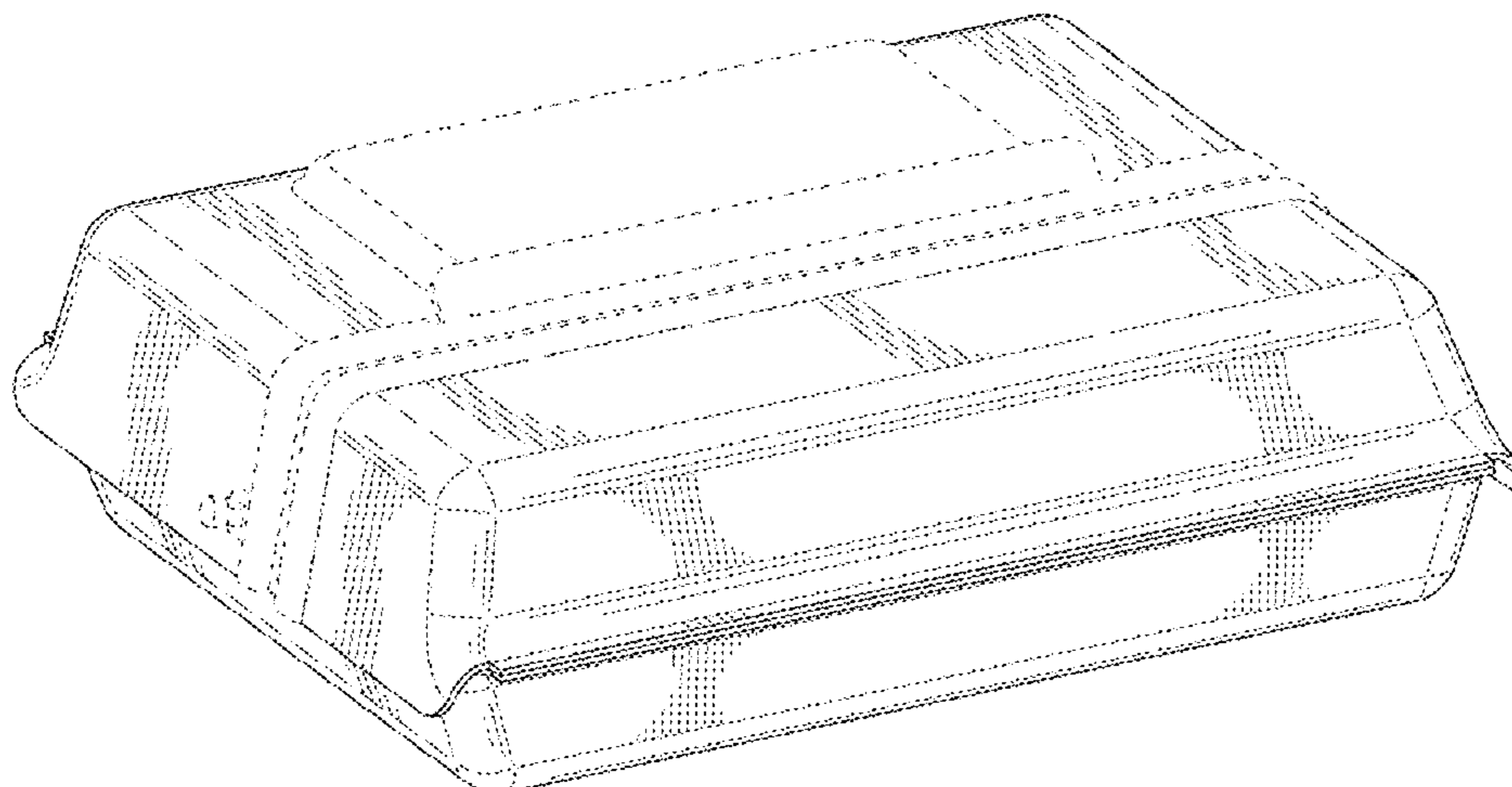
The ornamental design for a product transport container, as shown and described.

DESCRIPTION

FIG. 1 is a front perspective view of a product transport container according to the present design; FIG. 2 is a first side view thereof; FIG. 3 is a second side view thereof, opposite the view of FIG. 2; FIG. 4 a third side view thereof; FIG. 5 is a fourth side view thereof, opposite the view of FIG. 4; FIG. 6 is a top plan view thereof; and, FIG. 7 is a bottom plan view thereof, opposite the view of FIG. 6.

The dashed broken lines are included for the purpose of illustrating the environment of the design only, and form no part of the claimed design. The dot-dash broken lines represent the boundaries of the claimed design. None of the broken lines form no part of the claimed design.

1 Claim, 5 Drawing Sheets



(56)

References Cited

U.S. PATENT DOCUMENTS

D769,113 S * 10/2016 Chen D9/425
2016/0068323 A1 3/2016 Suryanarayanan et al.

* cited by examiner

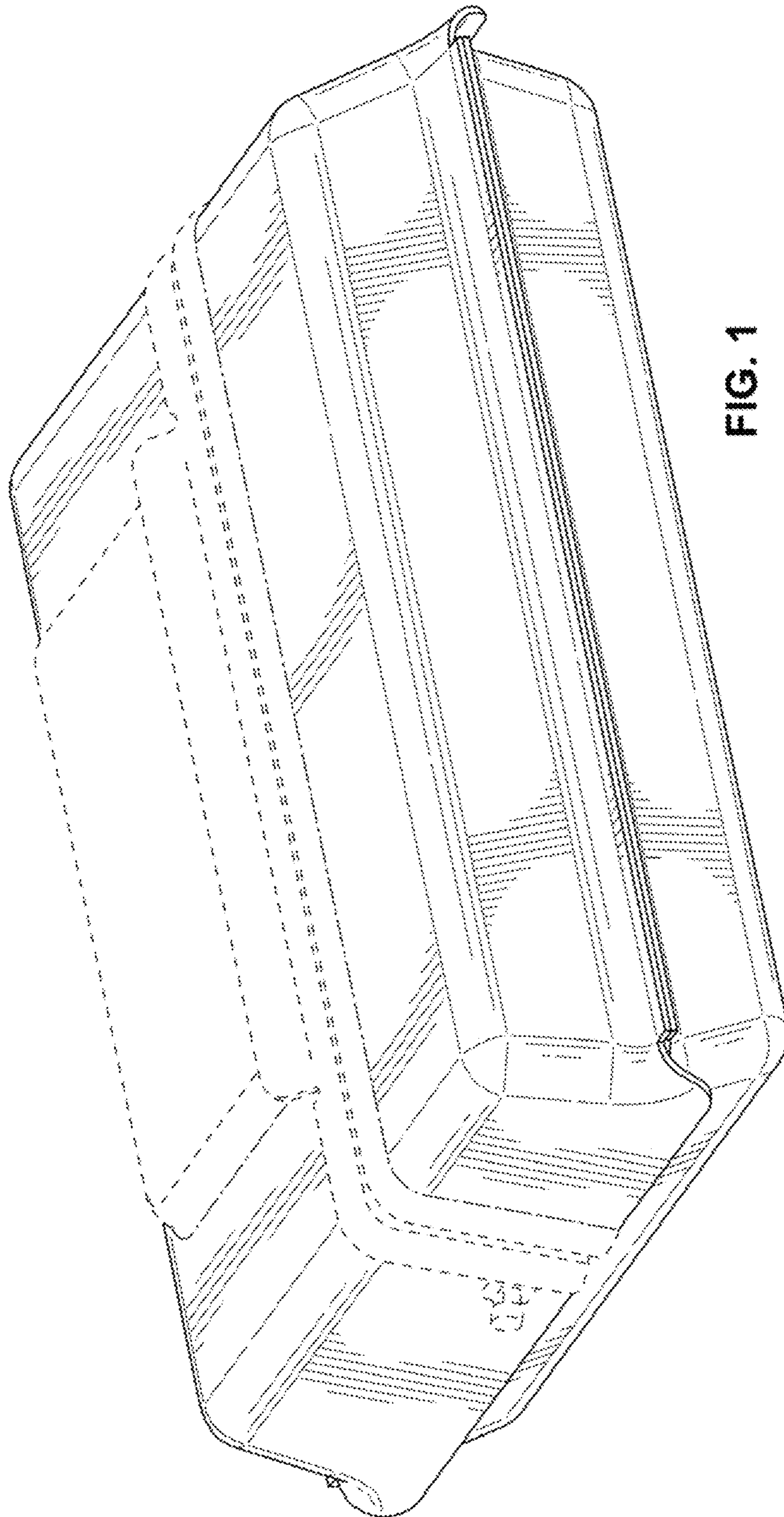


FIG. 1

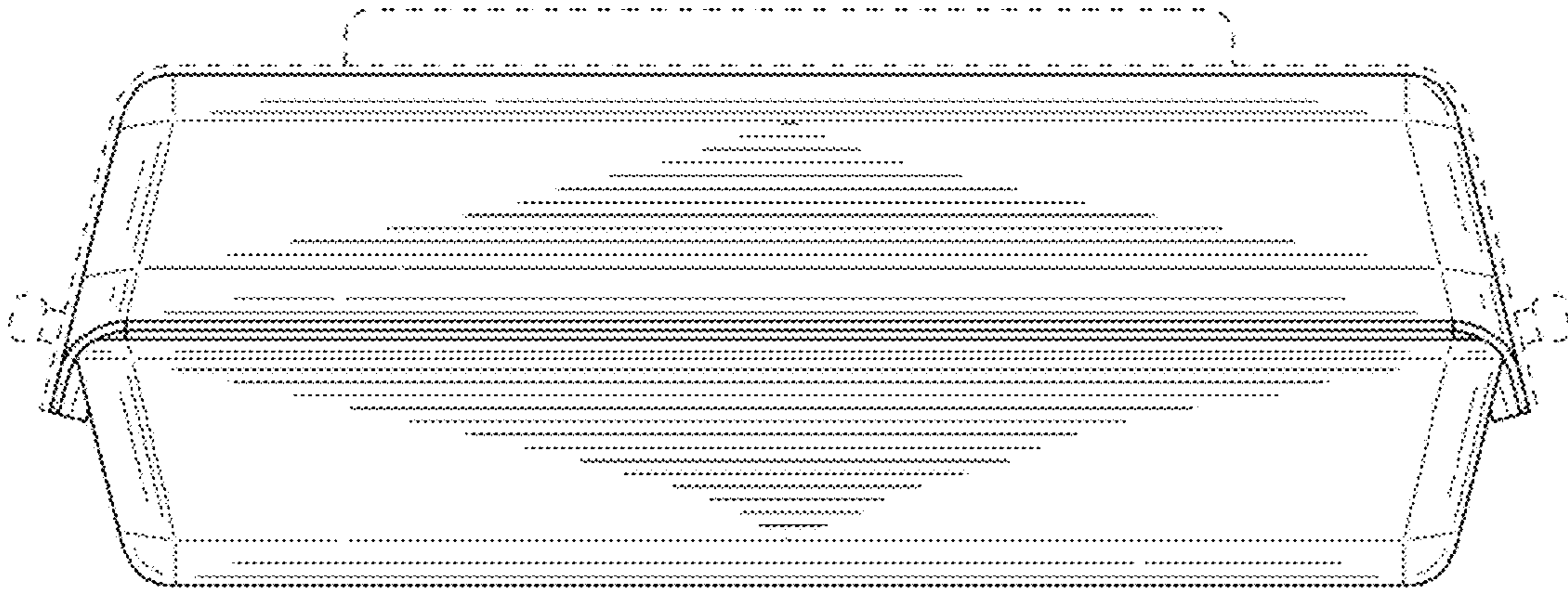


FIG. 2

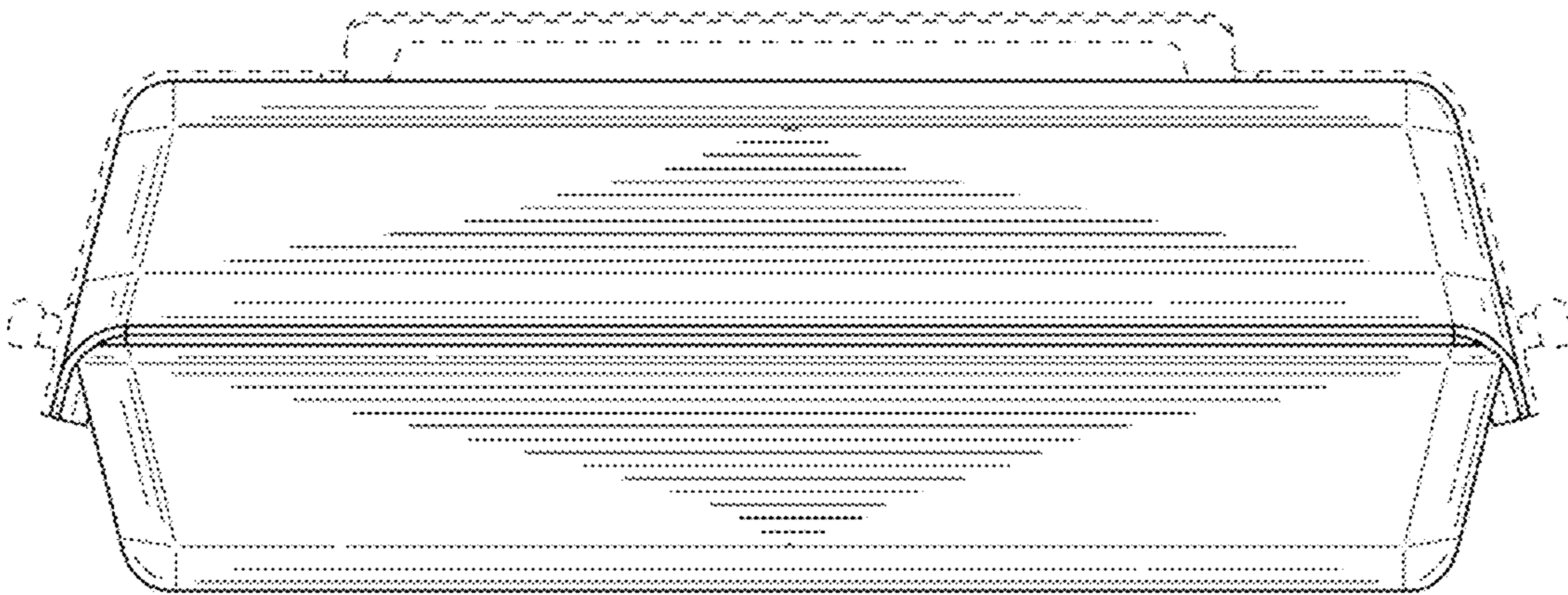


FIG. 3

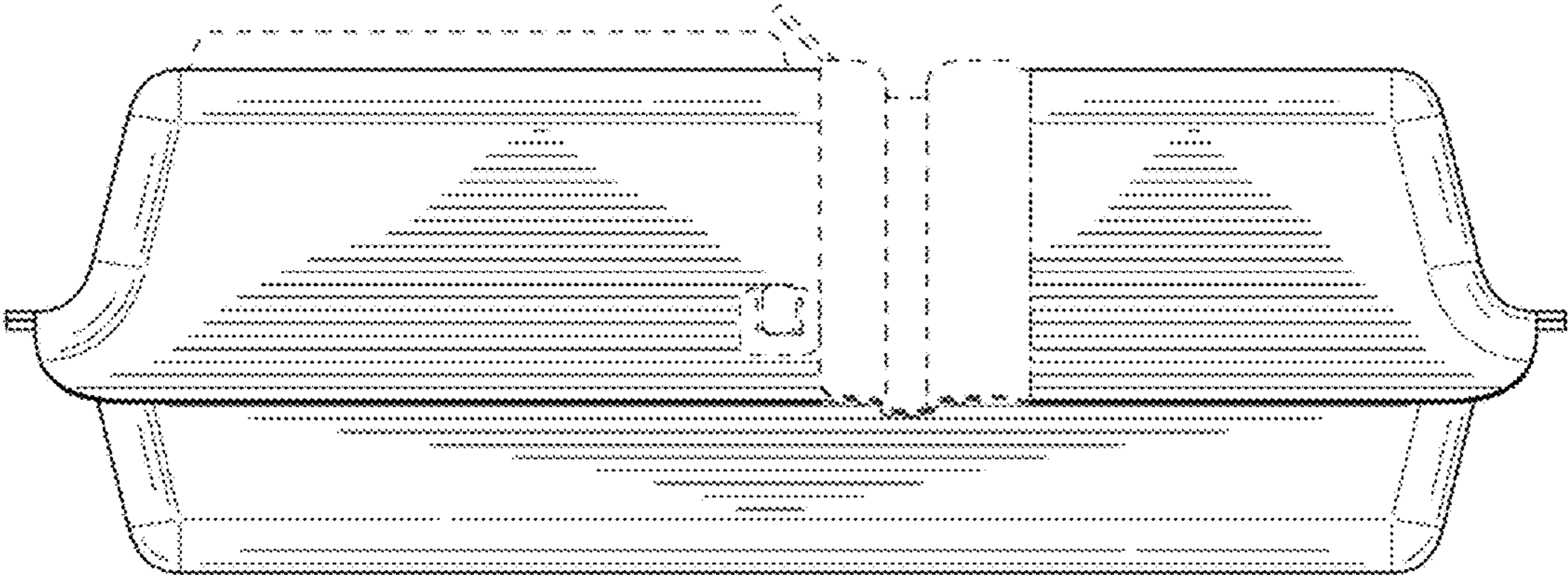


FIG. 4

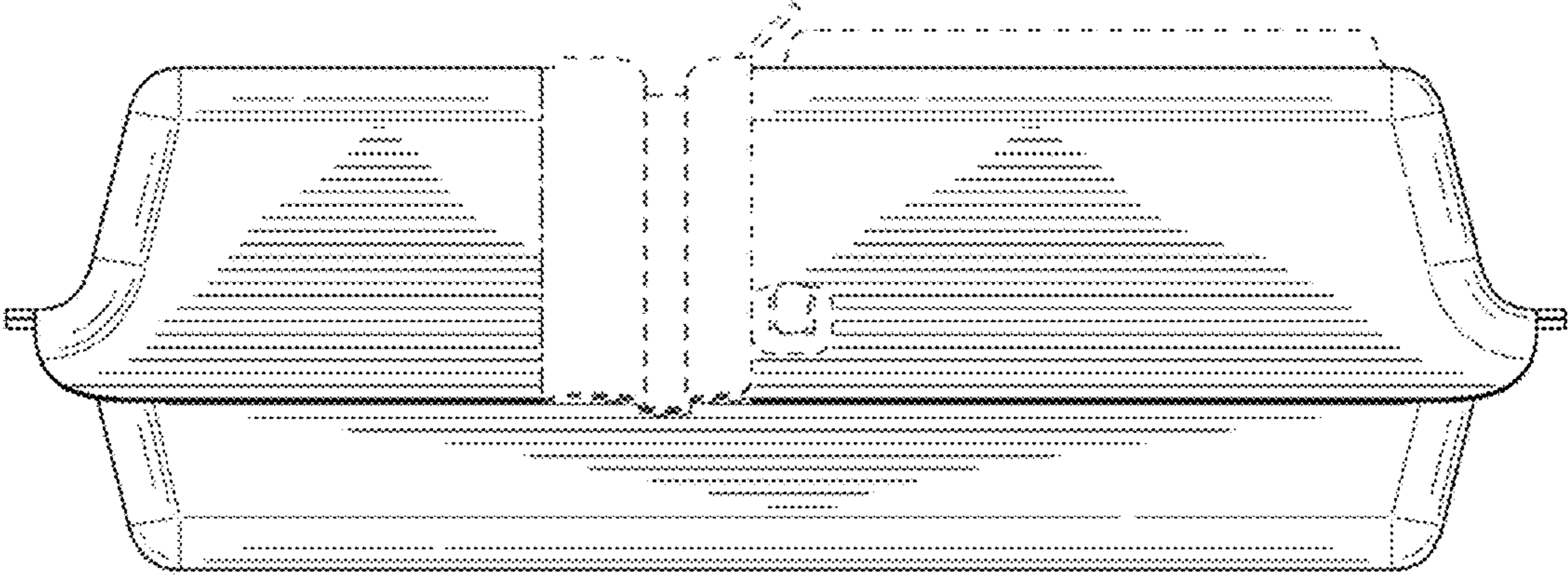


FIG. 5

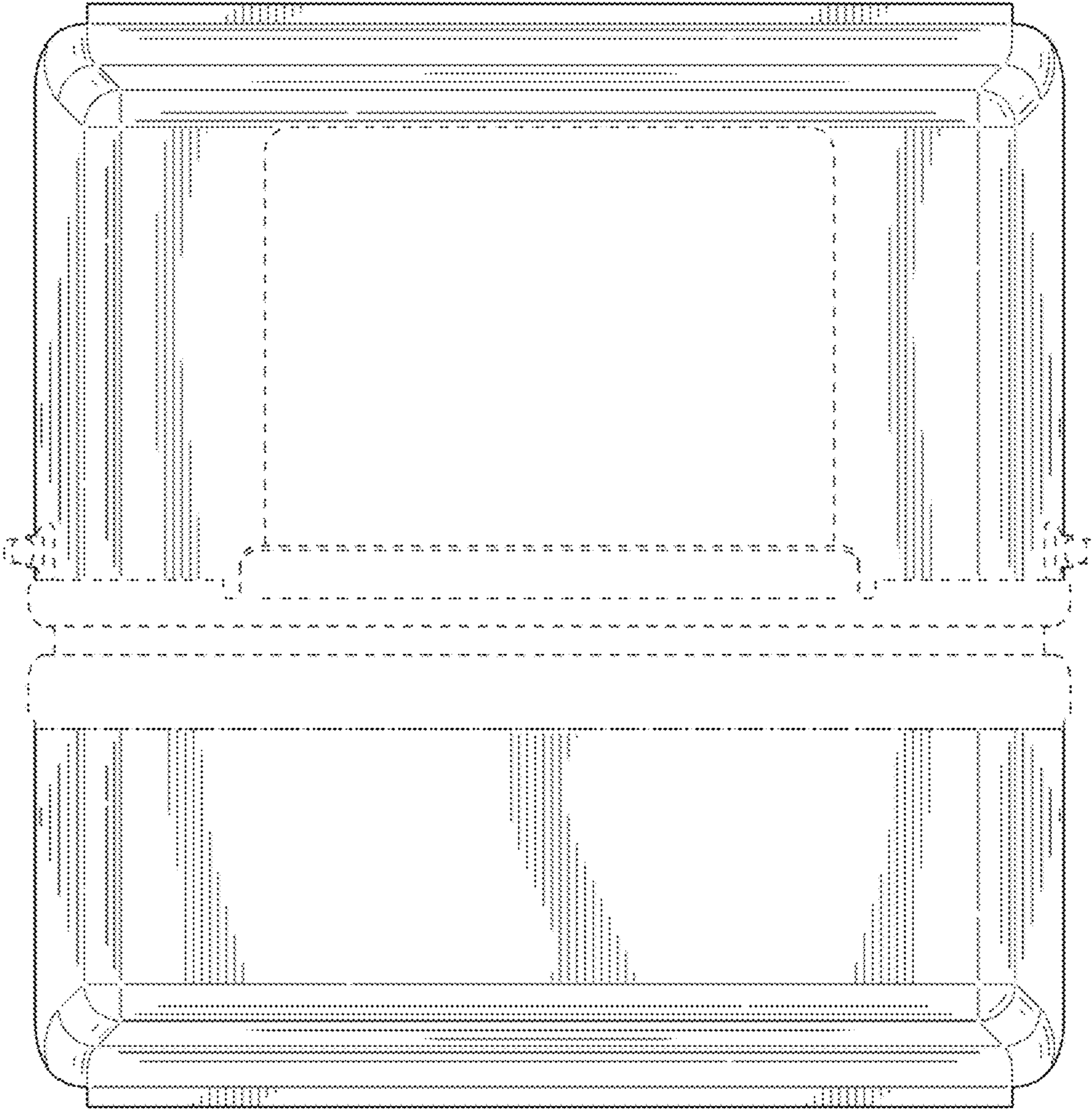


FIG. 6

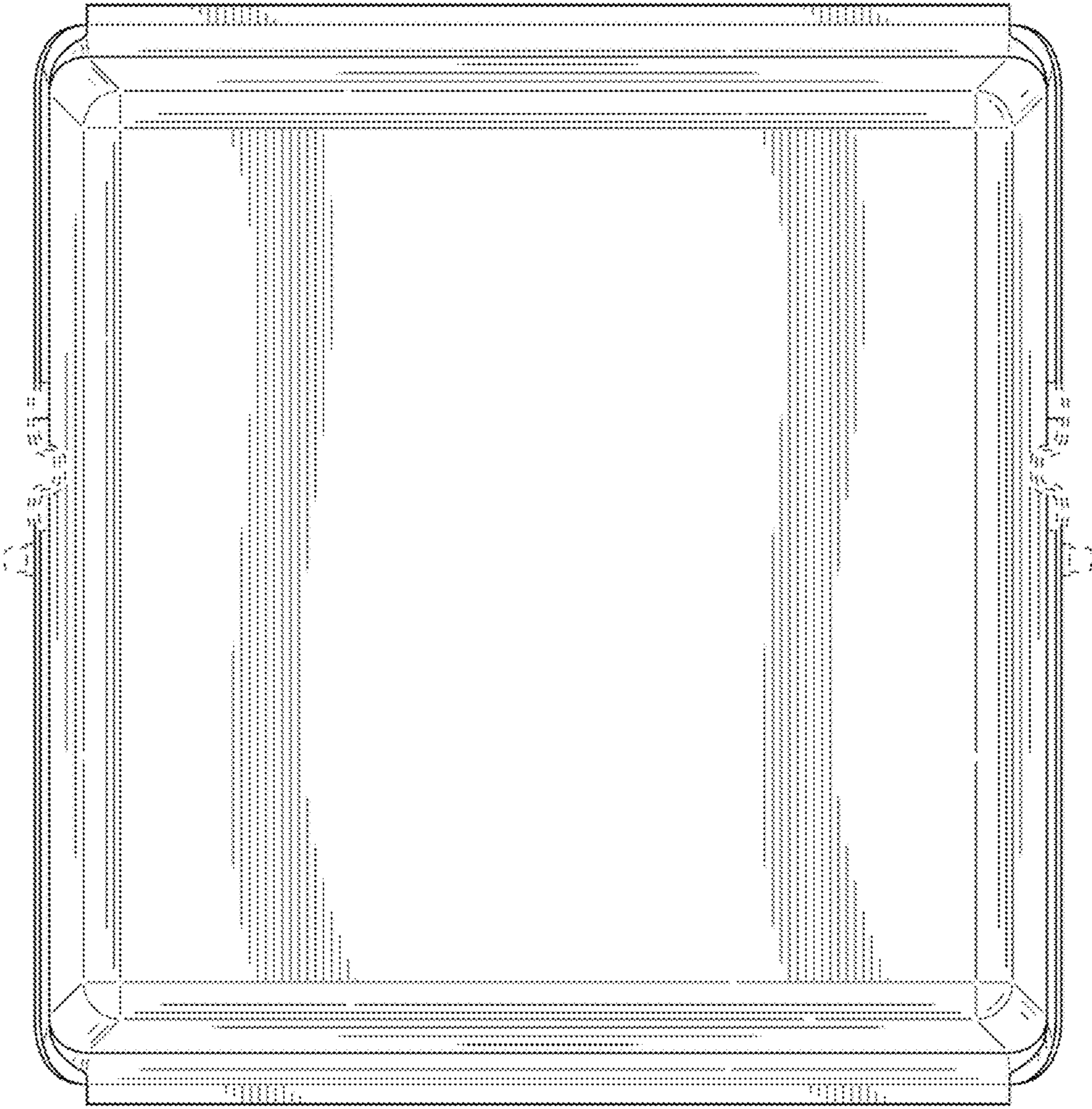


FIG. 7