



US00D826039S

(12) **United States Design Patent**  
**Vialle et al.**

(10) **Patent No.: US D826,039 S**  
(45) **Date of Patent: \*\* Aug. 21, 2018**

(54) **BABY FOOD CONTAINER**  
(71) Applicant: **N.V. Nutricia**, Zoetermeer (NL)  
(72) Inventors: **Julien Vialle**, Amsterdam (NL);  
**Patrick Van Baal**, Shanghai (CN);  
**Sjors Crusius**, Shanghai (CN);  
**Alexander Van Puijenbroek**, Den Bosch (NL); **Martin Christopher Bunce**, Wiltshire (GB); **James Mallion**, Vancouver (CA)  
(73) Assignee: **N.V. Nutricia** (NL)  
(\*\*) Term: **15 Years**  
(21) Appl. No.: **29/564,151**

(22) Filed: **May 11, 2016**  
(30) **Foreign Application Priority Data**  
Nov. 12, 2015 (EM) ..... 002855957-0001  
(51) **LOC (11) Cl.** ..... **09-03**  
(52) **U.S. Cl.**  
USPC ..... **D9/423**  
(58) **Field of Classification Search**  
USPC ..... D9/414, 420, 423, 424, 430, 431, 499,  
D9/730, 734; D3/201, 304, 315;  
D6/515, 518, 519, 521, 522, 523;  
D7/601, 608, 622, 704  
CPC ..... B65D 85/00; B65D 81/00; B65D 81/22;  
B65D 83/0805; A47K 2010/3266; A47K  
10/42; A47K 10/426; G07F 11/00  
See application file for complete search history.

(56) **References Cited**  
U.S. PATENT DOCUMENTS  
D421,901 S \* 3/2000 Hill ..... D9/423  
D485,461 S \* 1/2004 Sams ..... D6/515  
D489,530 S \* 5/2004 Lindsay ..... D3/273

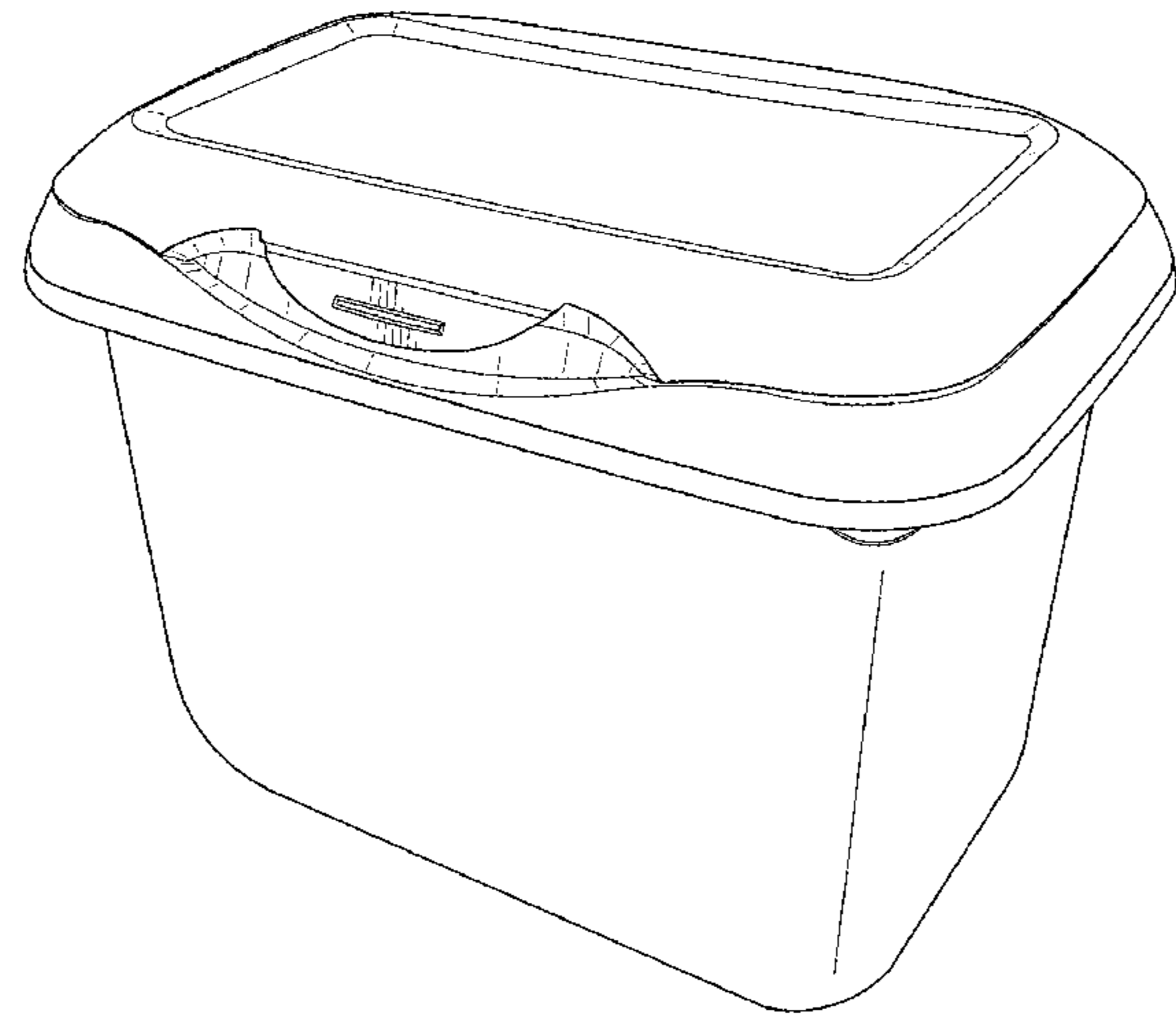
D630,939 S \* 1/2011 Peters ..... D9/420  
8,985,334 B2 \* 3/2015 Mays ..... B65D 21/0233  
206/518  
2002/0020709 A1 \* 2/2002 Huang ..... B65D 11/22  
220/675  
2008/0190954 A1 \* 8/2008 Kooyman ..... A47K 10/421  
221/22  
2008/0222929 A1 \* 9/2008 Sawin ..... A47K 10/421  
40/124.06  
2011/0011767 A1 \* 1/2011 Gehring ..... B65D 83/0811  
206/581  
2012/0074142 A1 \* 3/2012 Mays ..... A47K 10/421  
220/254.1  
2012/0097697 A1 \* 4/2012 Gehring ..... B65D 75/5838  
221/46  
2015/0108157 A1 \* 4/2015 Marin-Quintero ..... A47K 10/44  
221/55  
2017/0001775 A1 \* 1/2017 Cimmerer ..... B65D 43/16

\* cited by examiner  
*Primary Examiner* — Lauren R Calve  
(74) *Attorney, Agent, or Firm* — Laubscher, Spendlove & Laubscher, P.C.

(57) **CLAIM**  
The ornamental design for a baby food container, as shown and described.

**DESCRIPTION**  
FIG. 1 is a front perspective view of a baby food container according to our invention;  
FIG. 2 is a top plan view thereof;  
FIG. 3 is a front elevation view thereof;  
FIG. 4 is a bottom plan view thereof;  
FIG. 5 is a rear elevation view thereof;  
FIG. 6 is a left side elevation view thereof;  
FIG. 7 is a right side elevation view thereof; and,  
FIG. 8 is a front perspective view thereof shown in an open condition.  
The broken lines shown represent unclaimed subject matter and form no part of the claimed design.

**1 Claim, 5 Drawing Sheets**



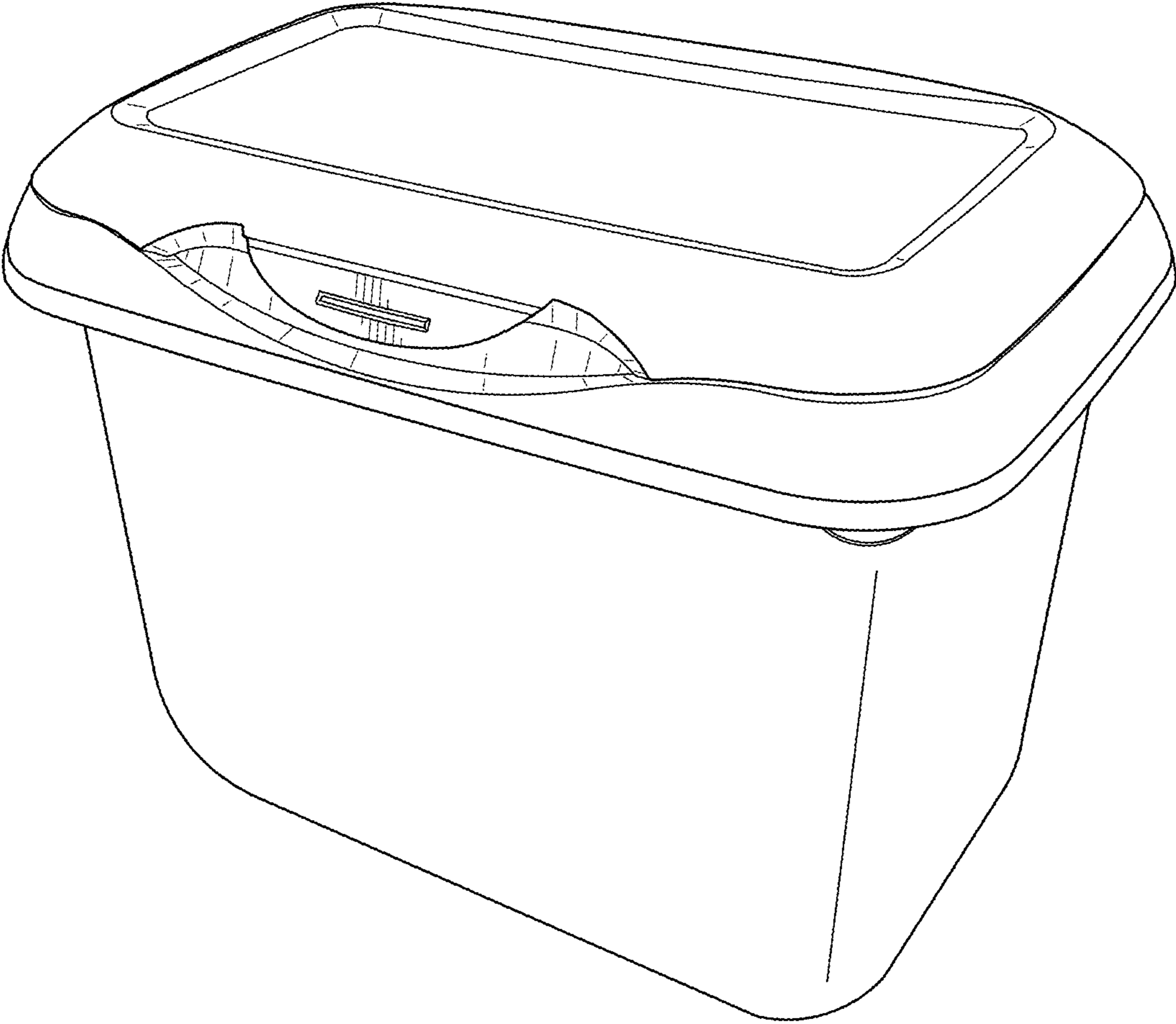


FIG. 1

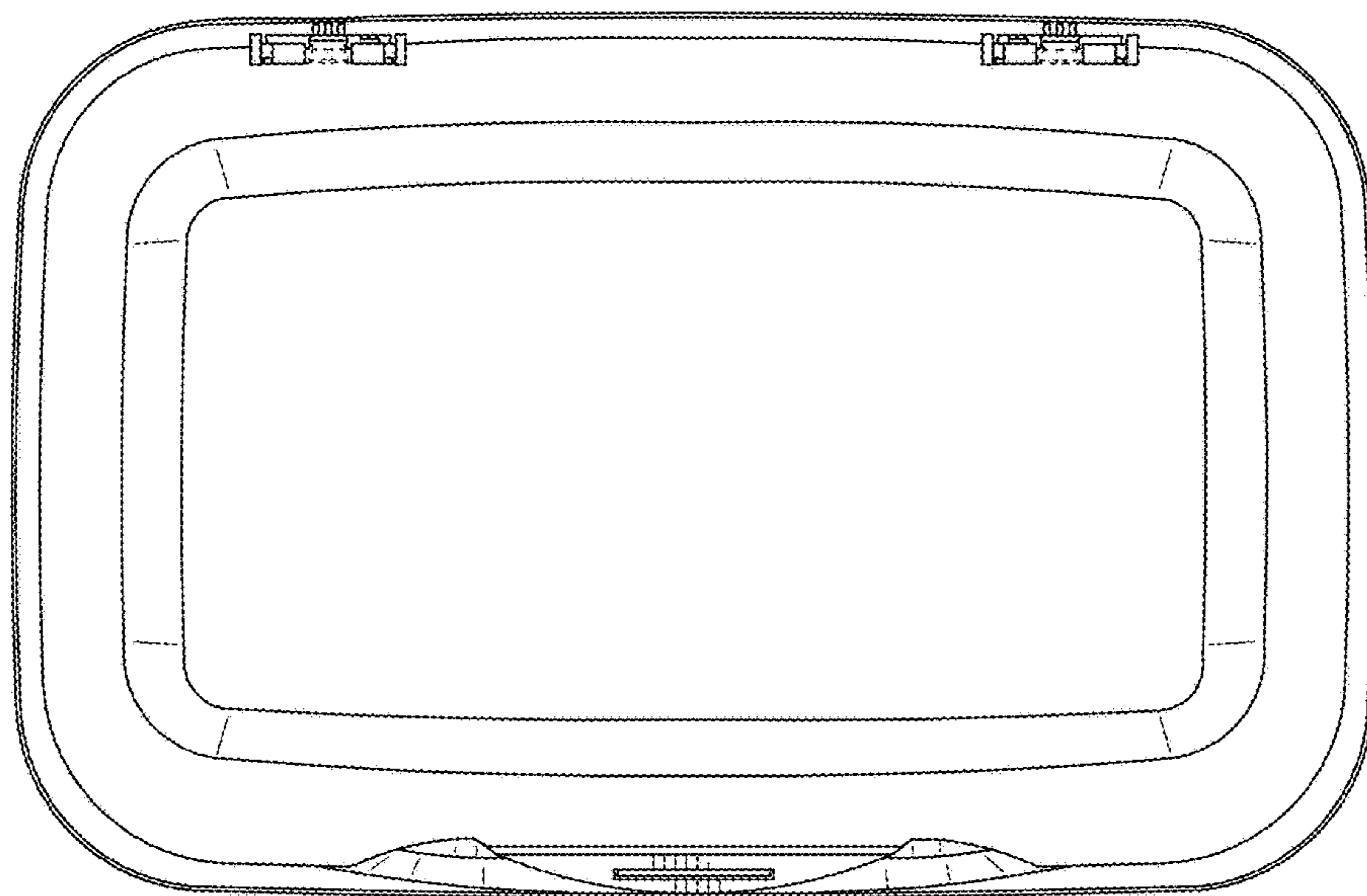


FIG. 2

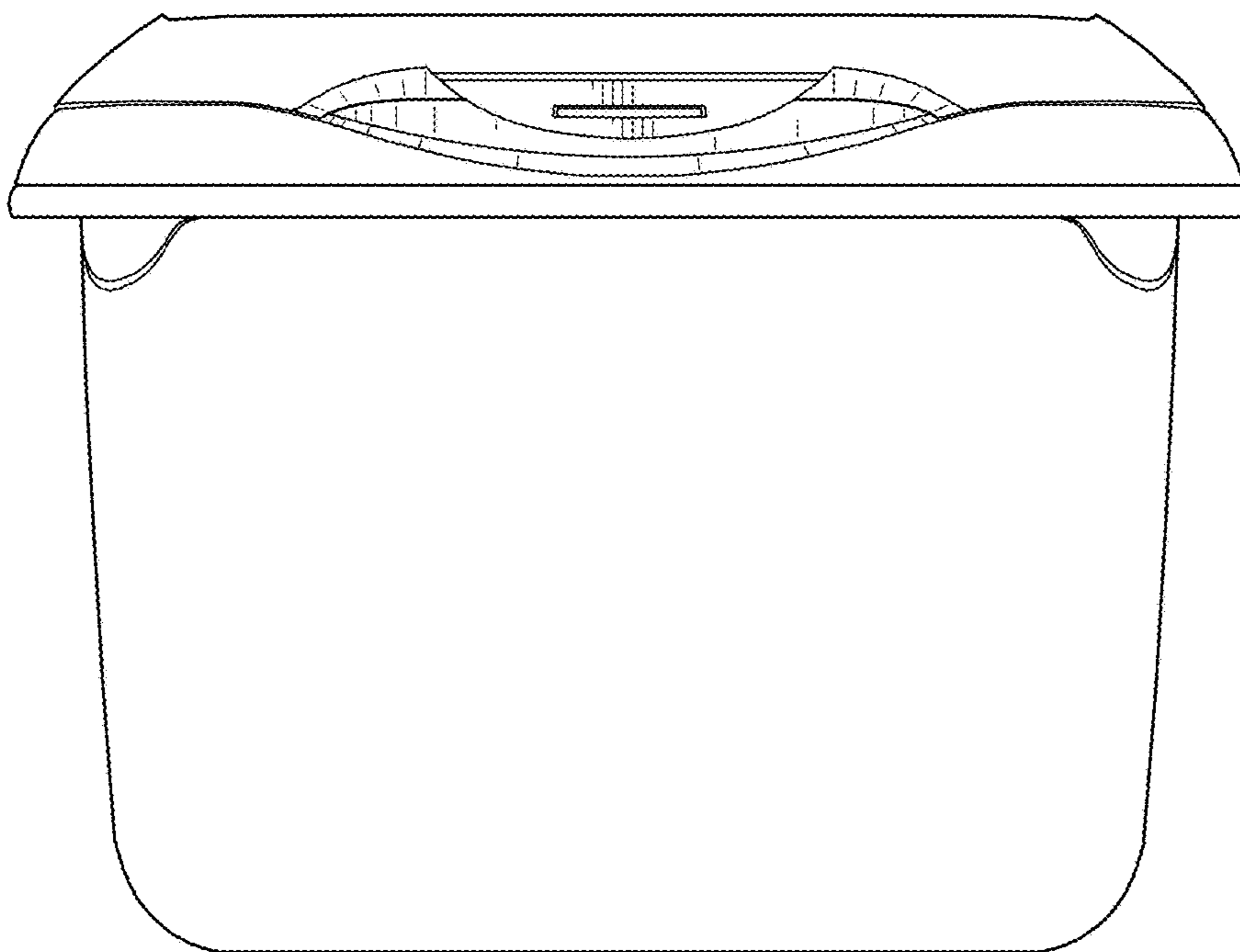


FIG. 3

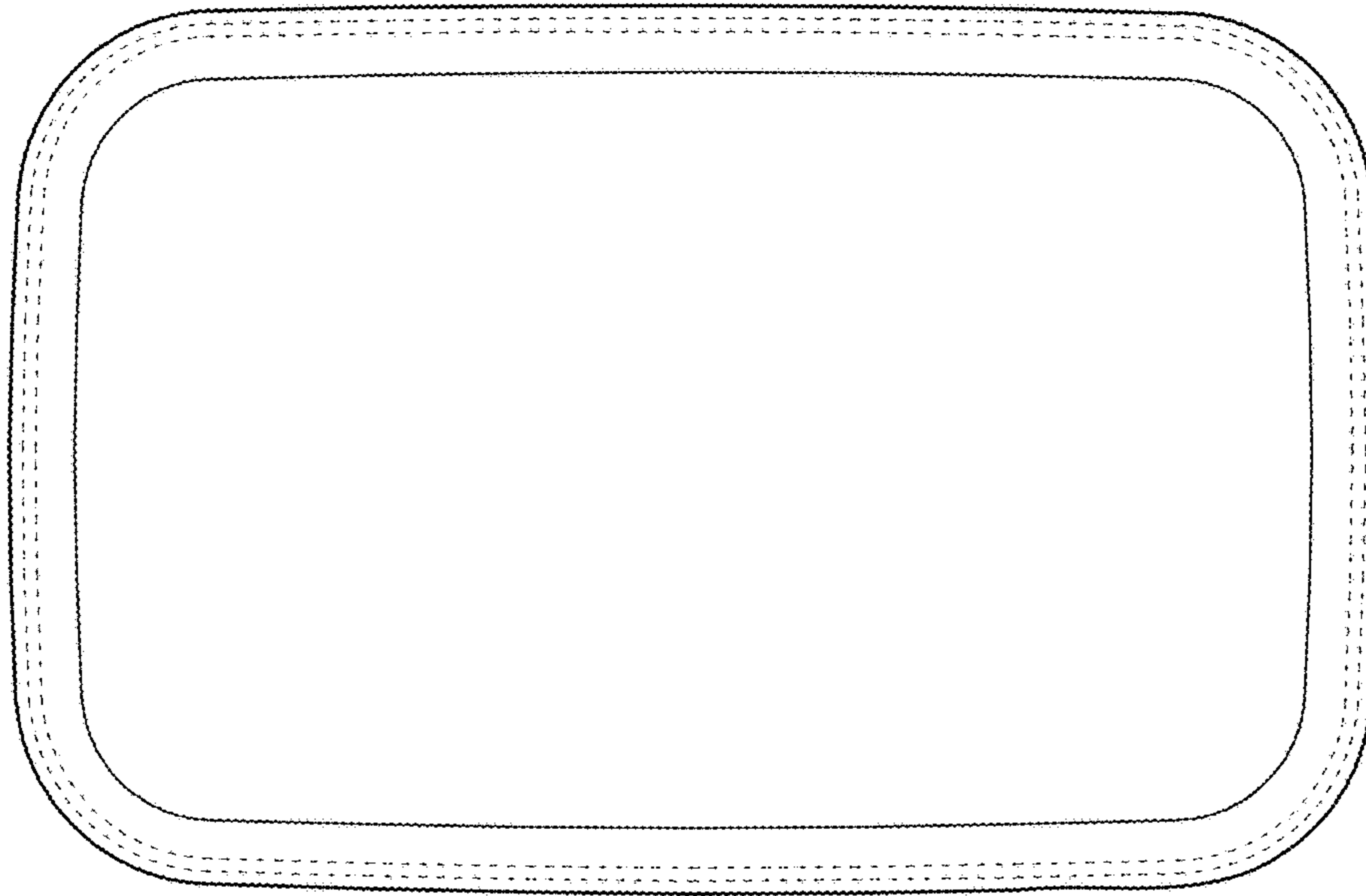


FIG. 4

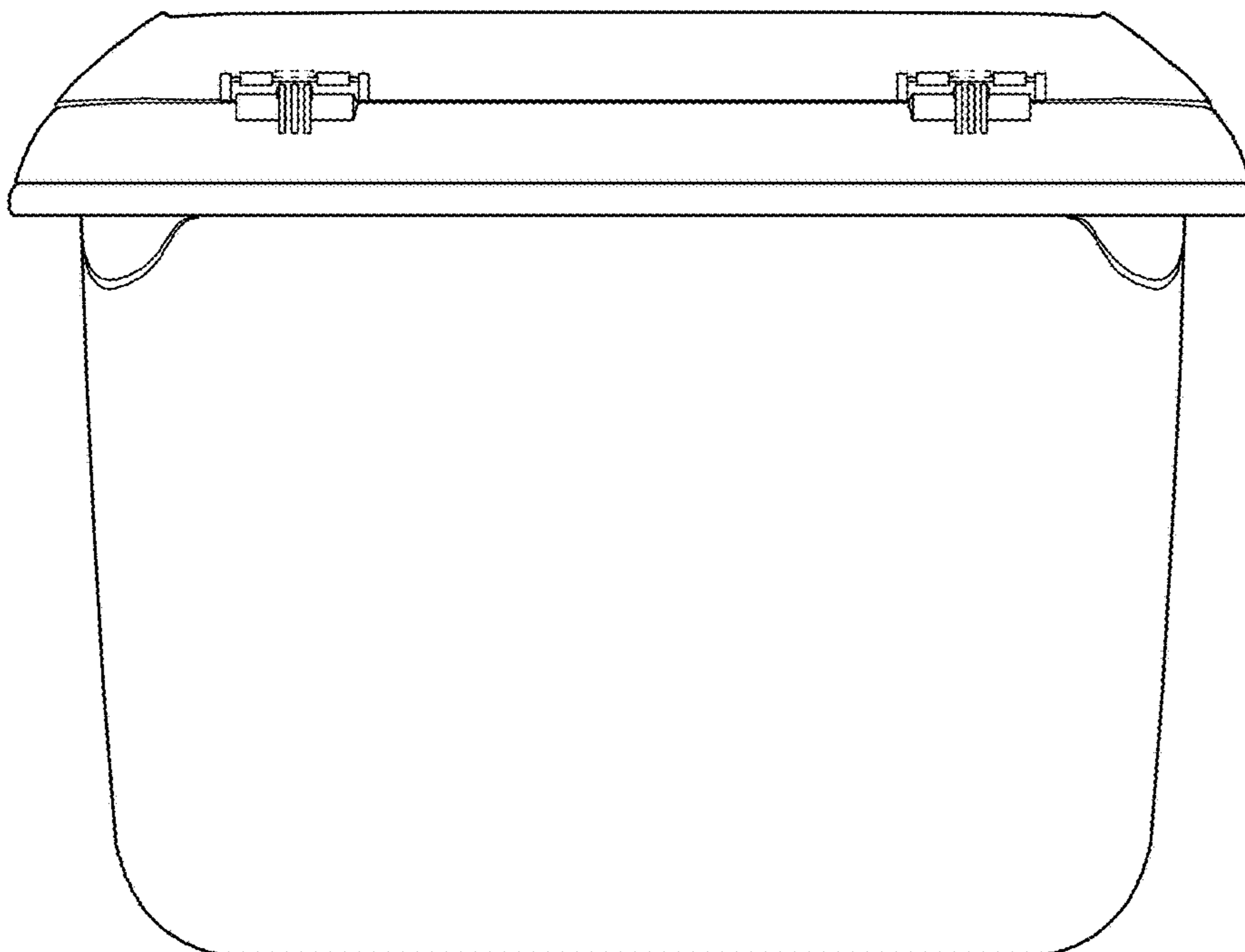


FIG. 5

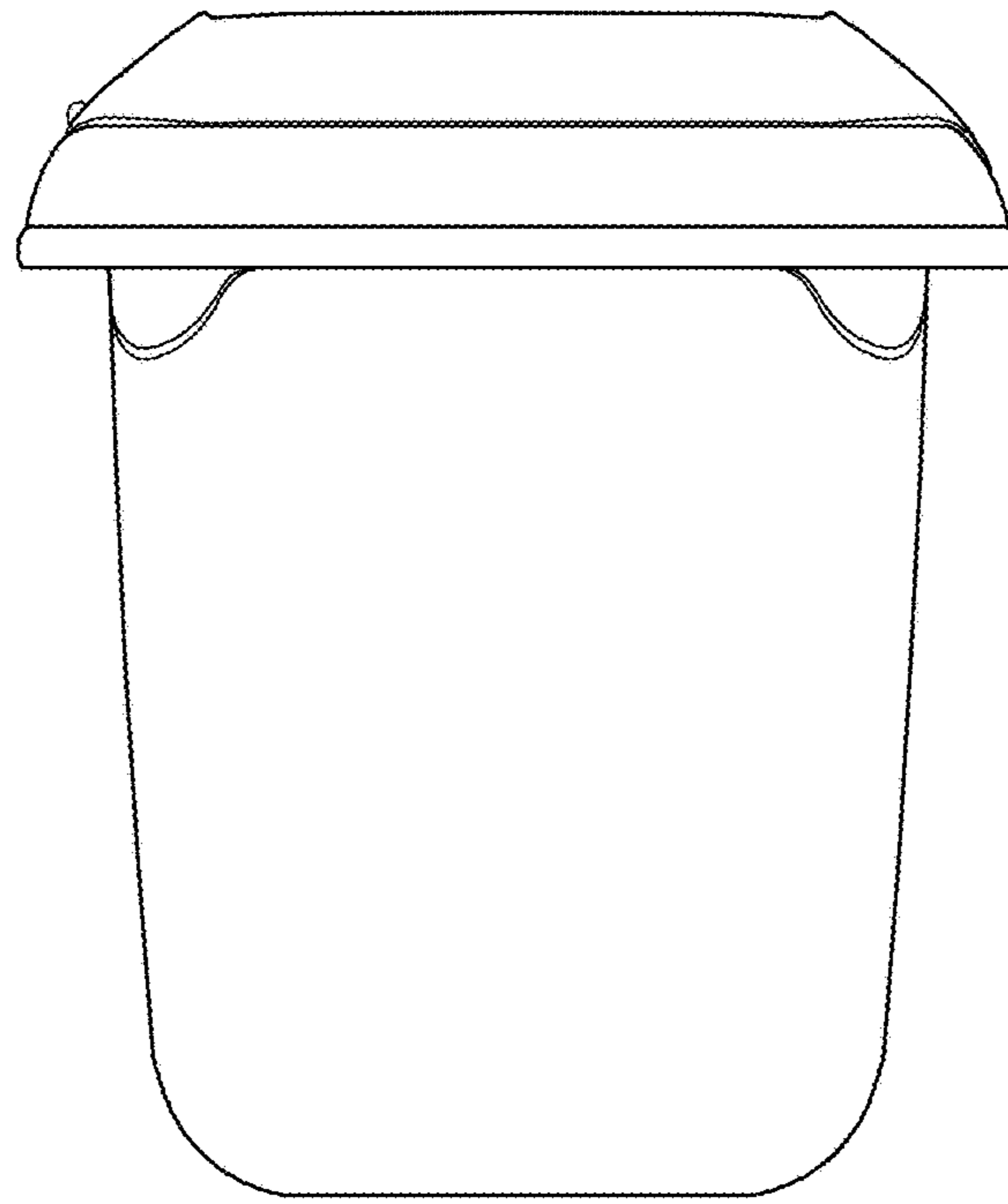


FIG. 6

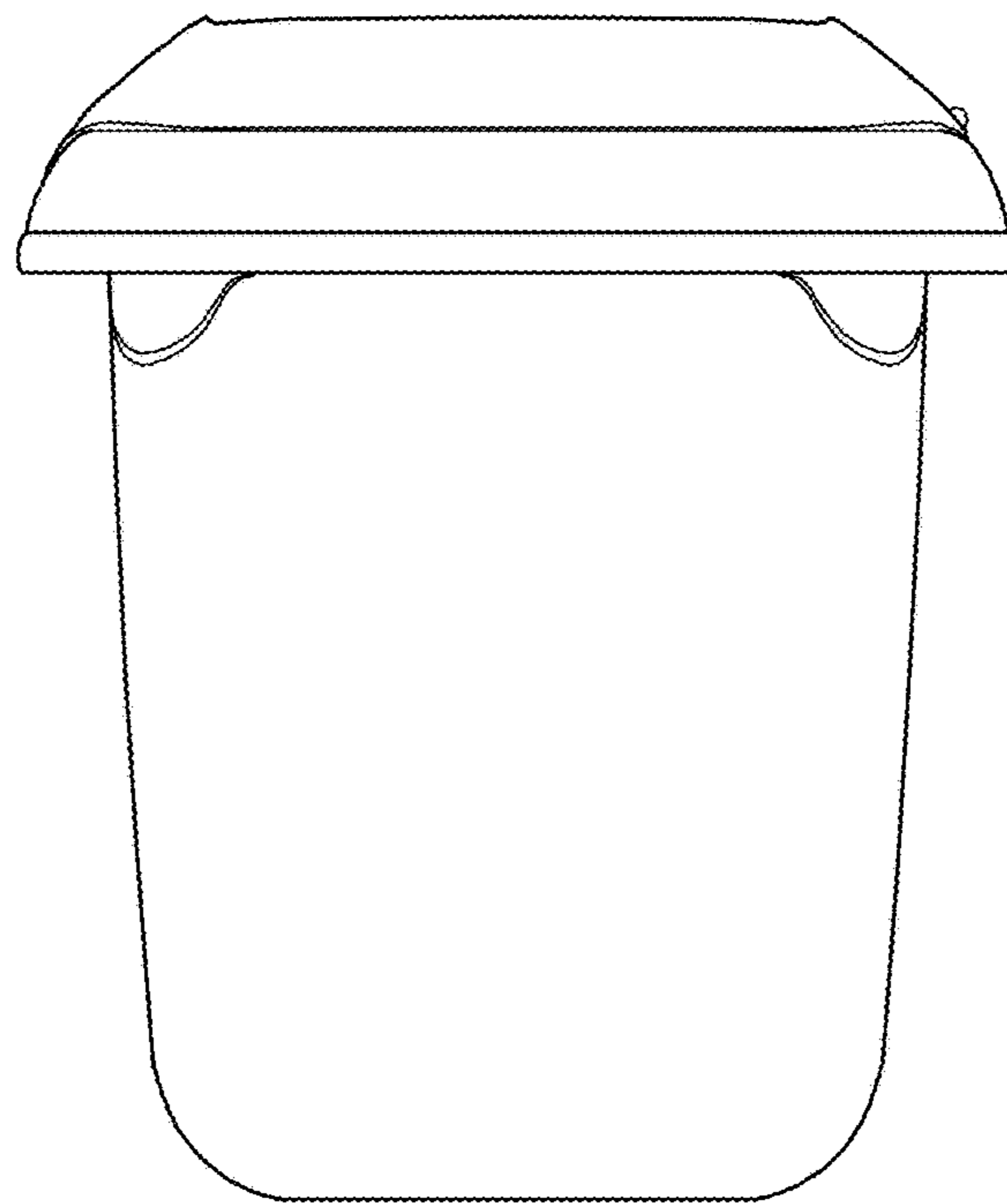


FIG. 7

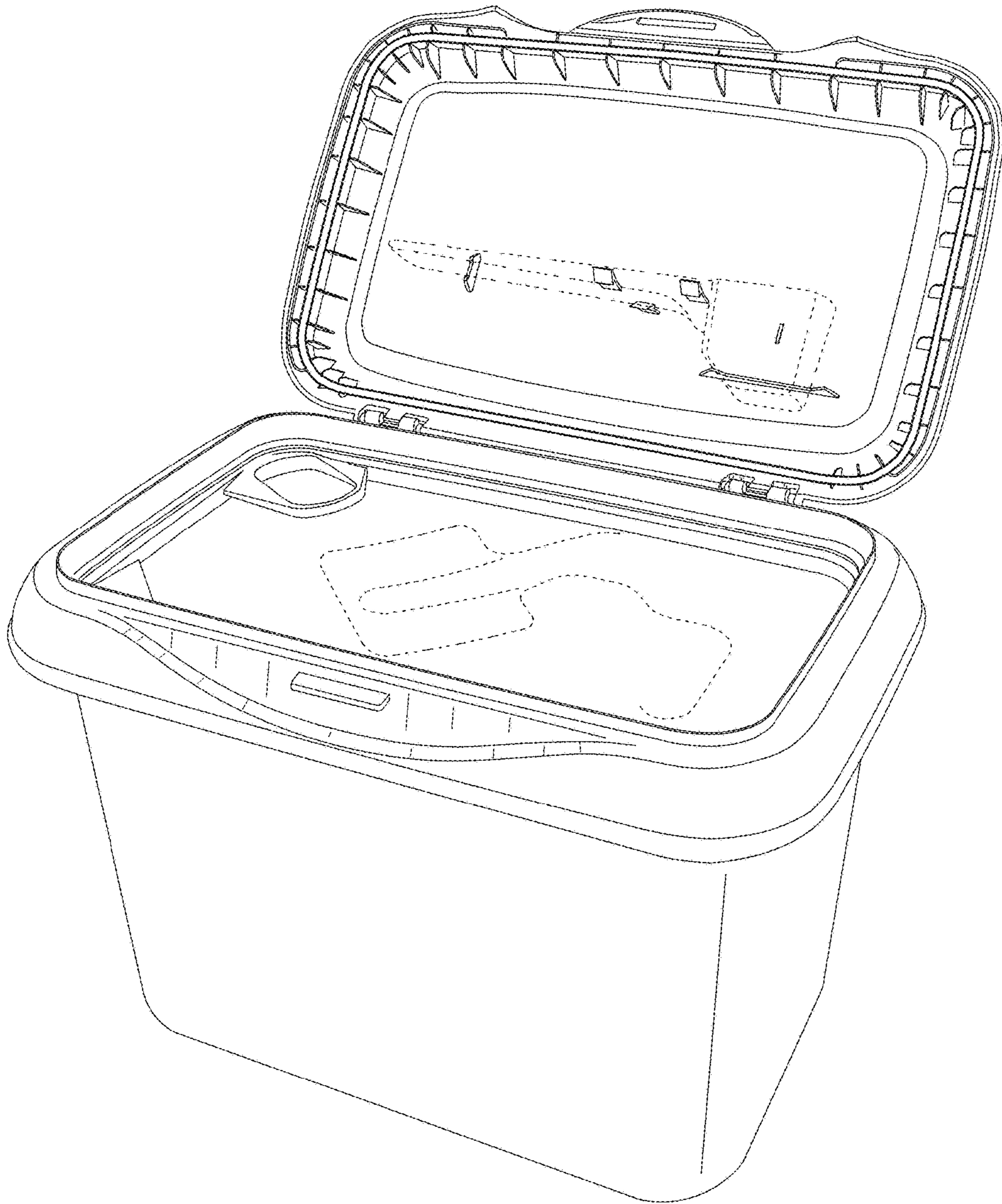


FIG. 8