



US00D826035S

(12) **United States Design Patent** (10) **Patent No.:** **US D826,035 S**
Hansen (45) **Date of Patent:** **** Aug. 21, 2018**

(54) **PICTURE HANGER** 4,821,882 A * 4/1989 Messina G11B 23/0236
206/387.15
(71) Applicant: **Thomas C. Hansen**, Dallas, TX (US) 5,303,895 A 4/1994 Hart
5,687,844 A * 11/1997 Budert B23D 59/00
206/372
(72) Inventor: **Thomas C. Hansen**, Dallas, TX (US) 5,758,858 A 6/1998 Barnes
D517,318 S * 3/2006 Ruybal D3/273
(**) Term: **15 Years** 7,216,841 B2 5/2007 Dodig, Jr.
D769,699 S * 10/2016 Fuchs D8/355
(21) Appl. No.: **29/595,813** D782,285 S * 3/2017 Fuchs D8/355
(22) Filed: **Mar. 2, 2017**

OTHER PUBLICATIONS

Crider, J.; U.S. Pat. No. 427,462; May 6, 1890.

* cited by examiner

Primary Examiner — Janice C Hallmark
Assistant Examiner — Eliza Z Bennett-Hattan

Related U.S. Application Data

(63) Continuation of application No. 14/994,345, filed on Jan. 13, 2016.
(51) **LOC (11) Cl.** **08-05**
(52) **U.S. Cl.**
USPC **D8/373**
(58) **Field of Classification Search**
USPC D8/355, 363, 366, 367, 371, 372, 373;
D6/323, 324, 327, 328, 524, 526, 531,
D6/534, 538, 553
CPC A47G 1/20; A47G 1/205; A47G 1/164;
A47G 1/1606; A47G 1/202; A47G
1/1633; A47G 1/16; A47G 1/162; A47G
1/1666
See application file for complete search history.

(57) **CLAIM**

The ornamental design for a picture hanger, as shown and described.

DESCRIPTION

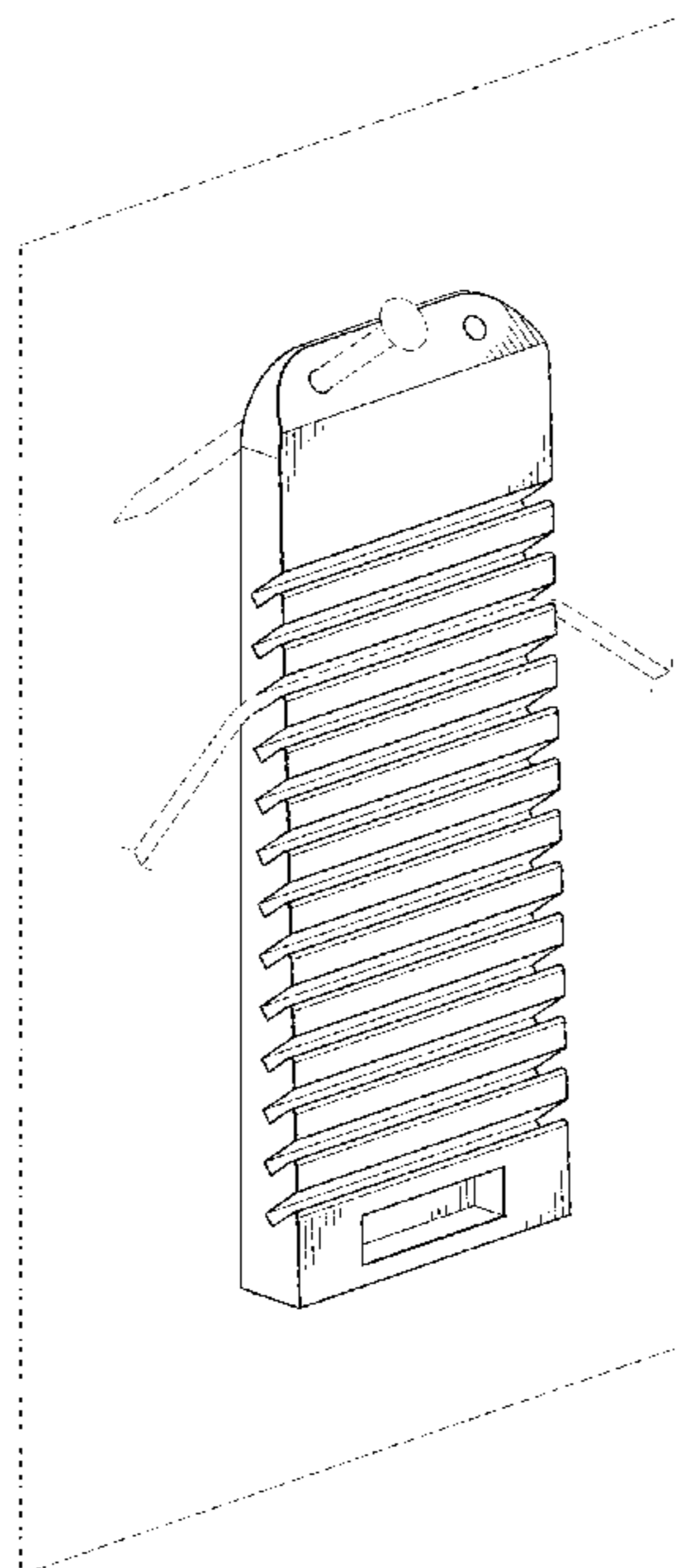
FIG. 1 is a front perspective view of a picture hanger showing the new design;
FIG. 2 is a top view thereof;
FIG. 3 is a right side view thereof, the left side view being a mirror image; and,
FIG. 4 is a front view thereof.
The broken lines within the bounds of the picture hanger represent unclaimed portions of the design that form no part of the claimed design. The broken lines outside the bounds of the picture hanger represent environment that forms no part of the claimed design.

(56) **References Cited**

U.S. PATENT DOCUMENTS

427,462 A * 5/1890 Crider A47B 57/567
248/244
3,360,229 A 12/1967 Beyer
3,613,900 A * 10/1971 Chiu A47B 9/08
108/106
3,945,599 A 5/1976 Spier

1 Claim, 3 Drawing Sheets



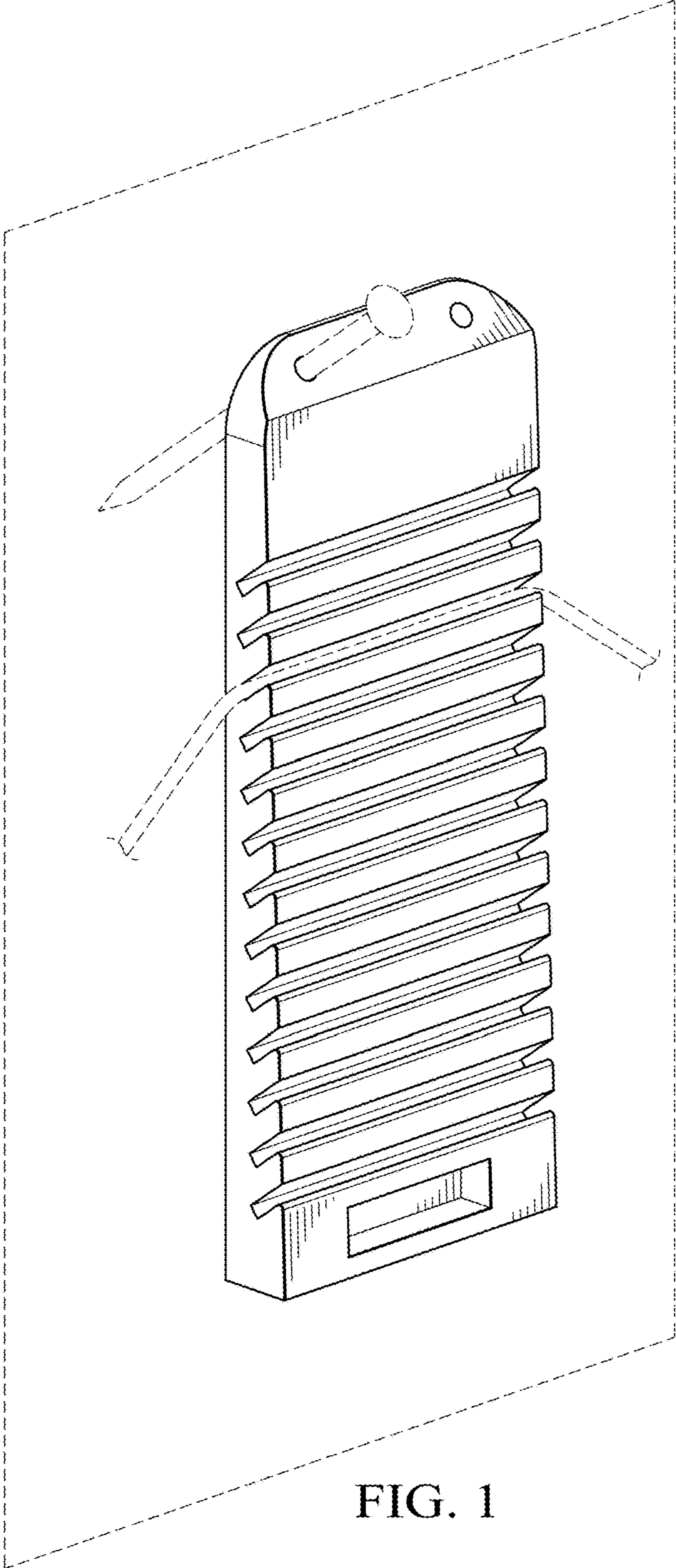


FIG. 1

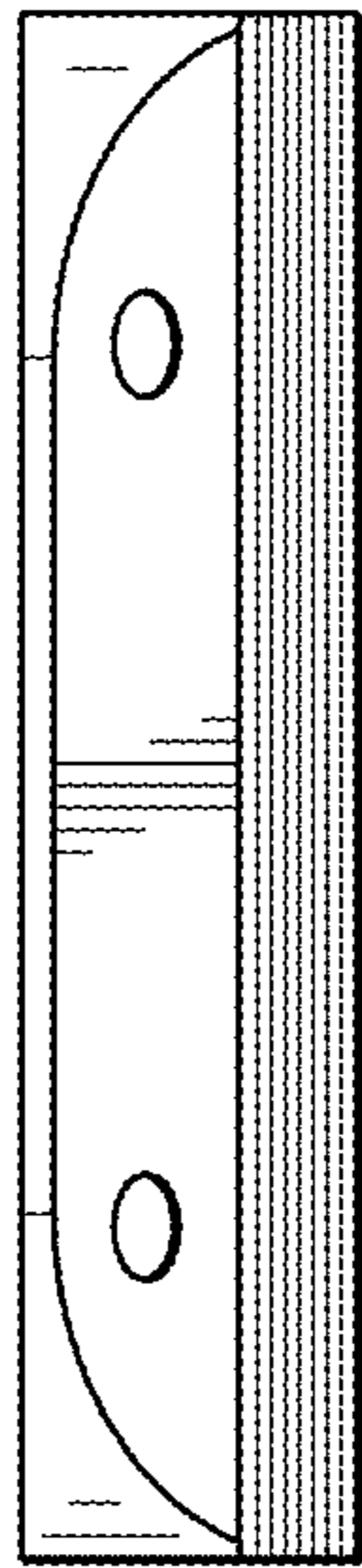


FIG. 2

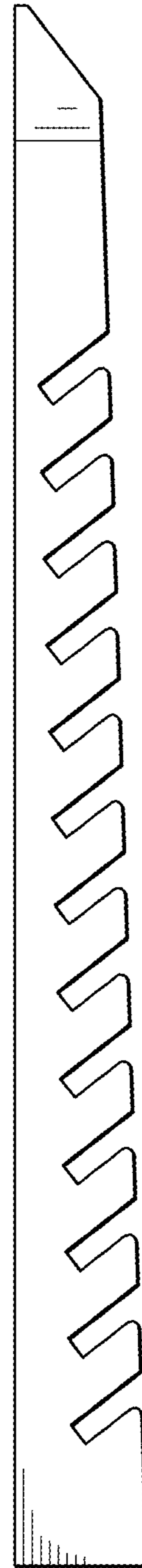


FIG. 3

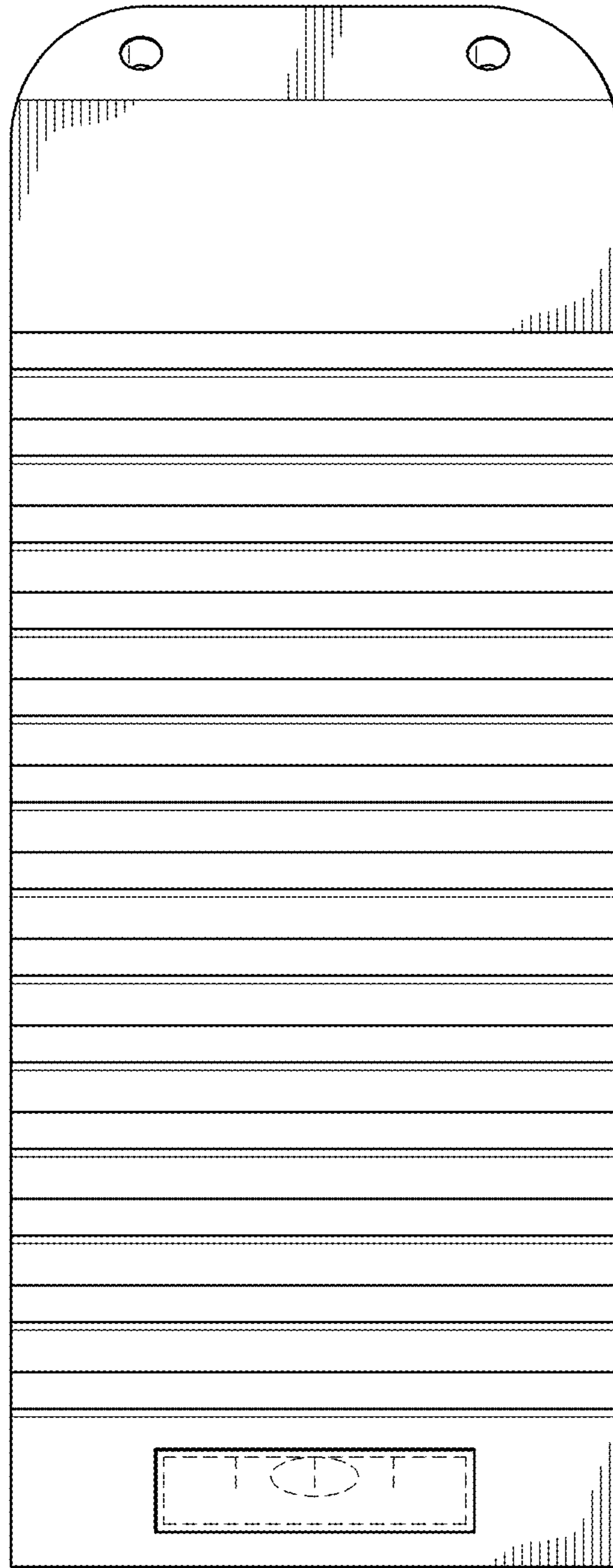


FIG. 4