



US00D826030S

(12) **United States Design Patent**
Macdonald et al.

(10) **Patent No.:** **US D826,030 S**

(45) **Date of Patent:** **** Aug. 21, 2018**

(54) **DIAMOND PYRAMID DIAGONAL LEG FOR WALL PANEL SYSTEM**

(71) Applicant: **EXTERIOR WALL SYSTEMS LIMITED ONTARIO**, London (CA)

(72) Inventors: **Robert B. Macdonald**, London (CA);
Philip A. Macdonald, London (CA);
Alexander K. Williams, London (CA);
Jonathan W. Hoy, London (CA)

(73) Assignee: **Exterior Wall Systems Limited**, London, Ontario

(**) Term: **15 Years**

(21) Appl. No.: **29/592,505**

(22) Filed: **Jan. 31, 2017**

(51) **LOC (11) Cl.** **08-08**

(52) **U.S. Cl.**
USPC **D8/349**; D25/122; D25/124

(58) **Field of Classification Search**
USPC D8/349, 354, 382, 383, 384, 403;
D25/113, 114, 119, 120–125, 131, 136,
D25/199; D21/484, 486, 500, 501, 839,
D21/468, 470, 471, 478, 479; D3/10
CPC ... E04F 13/0826; E04F 13/12; E04F 13/0889;
E04F 13/08; E04H 1/00
See application file for complete search history.

(56) **References Cited**

U.S. PATENT DOCUMENTS

1,475,539 A *	11/1923	Burtis	E04F 13/12	160/235
4,439,960 A	4/1984	Jenkins			
4,999,960 A	3/1991	Herwegh et al.			
D317,513 S *	6/1991	Miller	D13/155	
5,067,293 A	11/1991	Reynolds			
5,094,051 A *	3/1992	Miller	E04F 13/0812	52/235

5,220,759 A	6/1993	Hossli
5,226,274 A	7/1993	Sommerstein
5,239,798 A	8/1993	Saito
5,263,292 A	11/1993	Holland et al.
5,301,484 A	4/1994	Jansson
5,379,561 A	1/1995	Saito
D360,267 S	7/1995	DiGiorgio
5,522,193 A	6/1996	Sommerstein et al.
D373,200 S	8/1996	Colitto
D379,242 S	5/1997	Lin

(Continued)

OTHER PUBLICATIONS

Screen shots taken from www.keithpanel.com (Keith Panel Systems), accessed Mar. 6, 2017.

(Continued)

Primary Examiner — Jennifer Rivard

Assistant Examiner — Alison M Ofstun

(74) *Attorney, Agent, or Firm* — Peter L. Brewer; Thrive IP

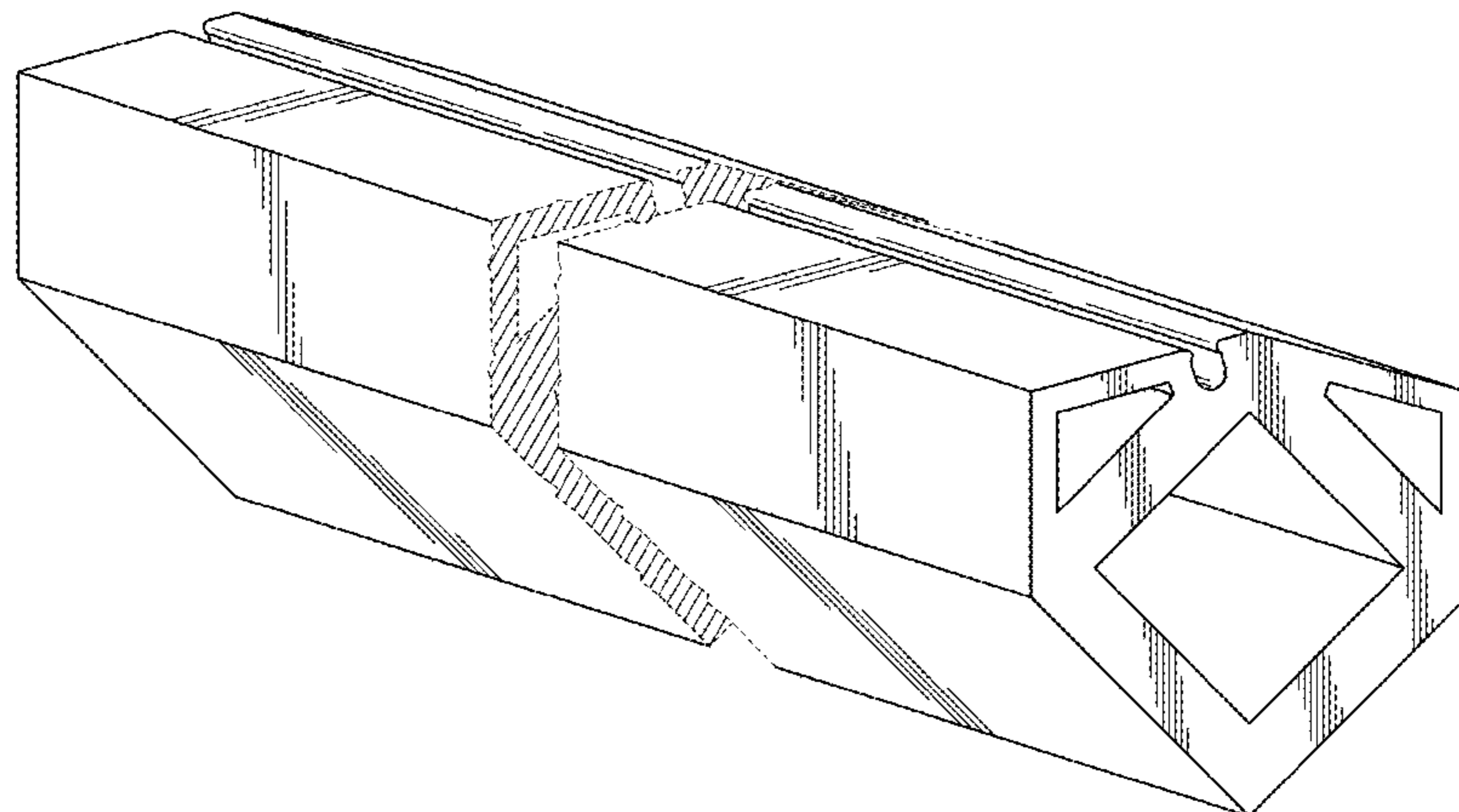
(57) **CLAIM**

The ornamental design for a diamond pyramid diagonal leg for wall panel system, as shown and described.

DESCRIPTION

FIG. 1 is a perspective view of a diamond pyramid diagonal leg for wall panel system, showing our new design.
FIG. 2 is a front elevation view thereof.
FIG. 3 is a rear elevation view thereof.
FIG. 4 is a right side elevation view thereof.
FIG. 5 is a left side elevation view thereof.
FIG. 6 is a top plan view thereof; and,
FIG. 7 is a bottom plan view thereof.
The article is shown with a symbolic break in its length. The appearance of any portion of the article between the break lines forms no part of the claimed design.

1 Claim, 3 Drawing Sheets



(56)

References Cited

U.S. PATENT DOCUMENTS

D388,887 S 1/1998 Hersh et al.
 D397,452 S * 8/1998 Franson D25/124
 D400,080 S 10/1998 Beard, Jr.
 D405,197 S 2/1999 Arcati et al.
 D417,737 S 12/1999 Stansfield
 D423,910 S 5/2000 Cyrell
 6,065,259 A 5/2000 Clear
 D429,347 S 8/2000 Doyle et al.
 D432,675 S * 10/2000 Grosfillex D25/124
 D433,515 S * 11/2000 Cole D25/124
 D437,945 S * 2/2001 Mast D25/199
 D461,014 S 7/2002 Marshall
 6,427,408 B1 8/2002 Krieger
 6,484,465 B2 11/2002 Higgins
 6,748,709 B1 6/2004 Sherman et al.
 D496,248 S 9/2004 Liebendorfer
 D501,936 S 2/2005 Kim
 D541,955 S * 5/2007 Simko D25/125
 D560,822 S * 1/2008 Flechsig D25/121
 D561,353 S * 2/2008 Antonic D25/122
 D619,447 S 7/2010 Liu
 D619,880 S 7/2010 MacDonald et al.
 D626,663 S 11/2010 Stephens
 8,166,716 B2 5/2012 Macdonald et al.
 D662,805 S 7/2012 Macdonald et al.
 D666,321 S 8/2012 Morton
 D666,328 S * 8/2012 Morton D25/122
 D666,329 S * 8/2012 Morton D25/122

D675,046 S 1/2013 Kloppers
 D692,592 S 10/2013 Kosonen
 8,595,996 B2 12/2013 Korman et al.
 8,745,941 B2 6/2014 Macdonald et al.
 D718,888 S 12/2014 Schwarz et al.
 D731,677 S 6/2015 Bernier
 D732,207 S * 6/2015 Campbell D25/124
 9,068,358 B2 6/2015 Macdonald et al.
 D736,958 S 8/2015 Chaney et al.
 D744,667 S 12/2015 Macdonald et al.
 D745,192 S 12/2015 Suciu et al.
 D760,403 S 6/2016 Bilge
 D767,786 S 9/2016 Smith
 D775,373 S * 12/2016 Veerasawmy D25/124
 D777,948 S * 1/2017 Veerasawmy D25/119
 D778,465 S 2/2017 Zombek
 D781,463 S * 3/2017 Otto D25/136
 D809,704 S * 2/2018 Klus D26/142
 D810,008 S * 2/2018 Mollison D13/102
 2007/0119105 A1 5/2007 MacDonald et al.
 2015/0300027 A1 * 10/2015 Day E04F 13/0862
 52/489.1

OTHER PUBLICATIONS

Screen shots taken from www.dri-design.com (Dri-Design Wall Panel System), accessed Mar. 6, 2017.
 Screen shots taken from www.elward.com (Elward Systems Corporation), accessed Mar. 6, 2017.

* cited by examiner

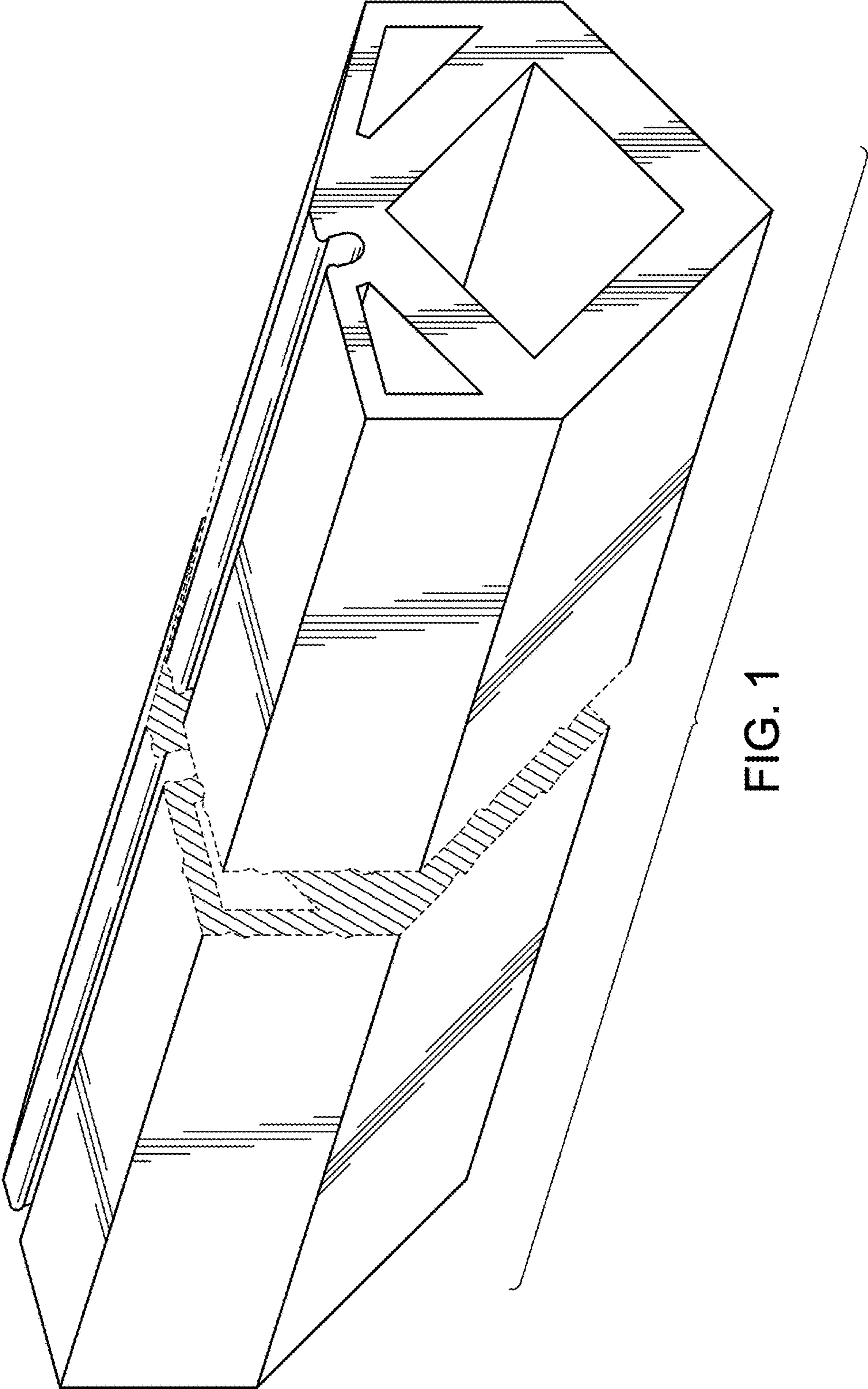


FIG. 1

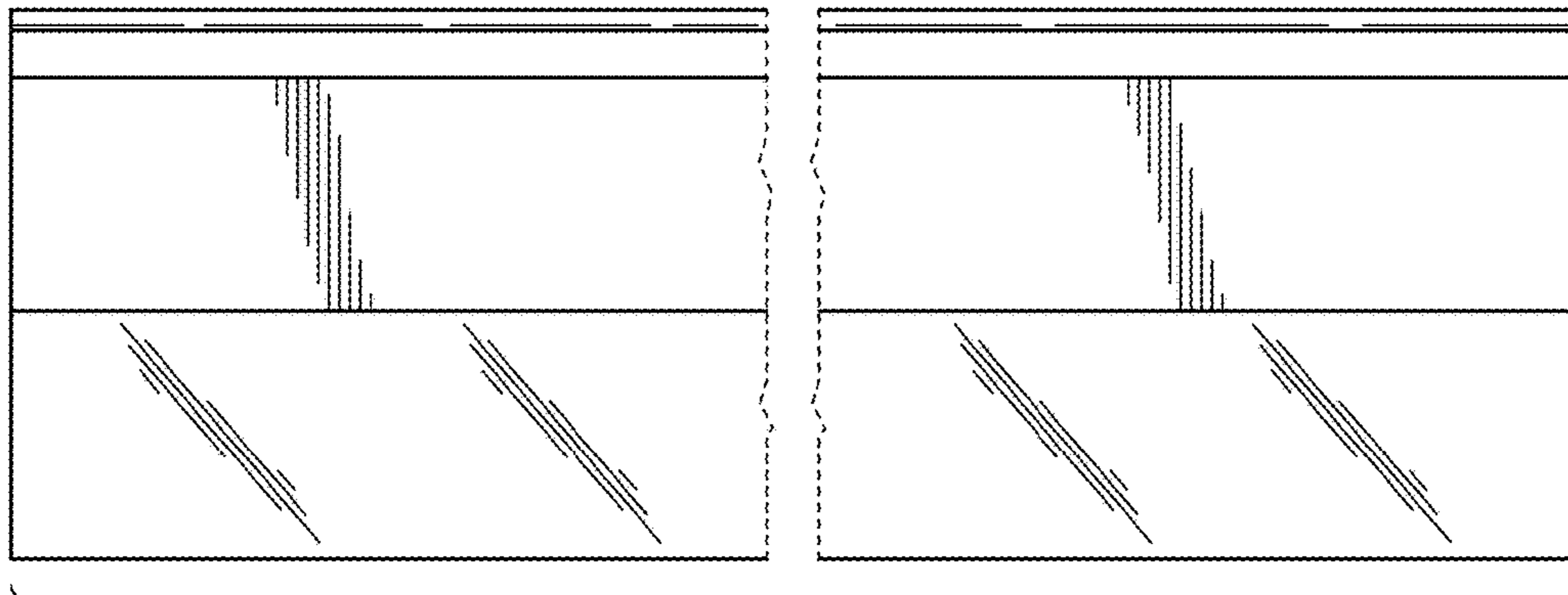


FIG. 2

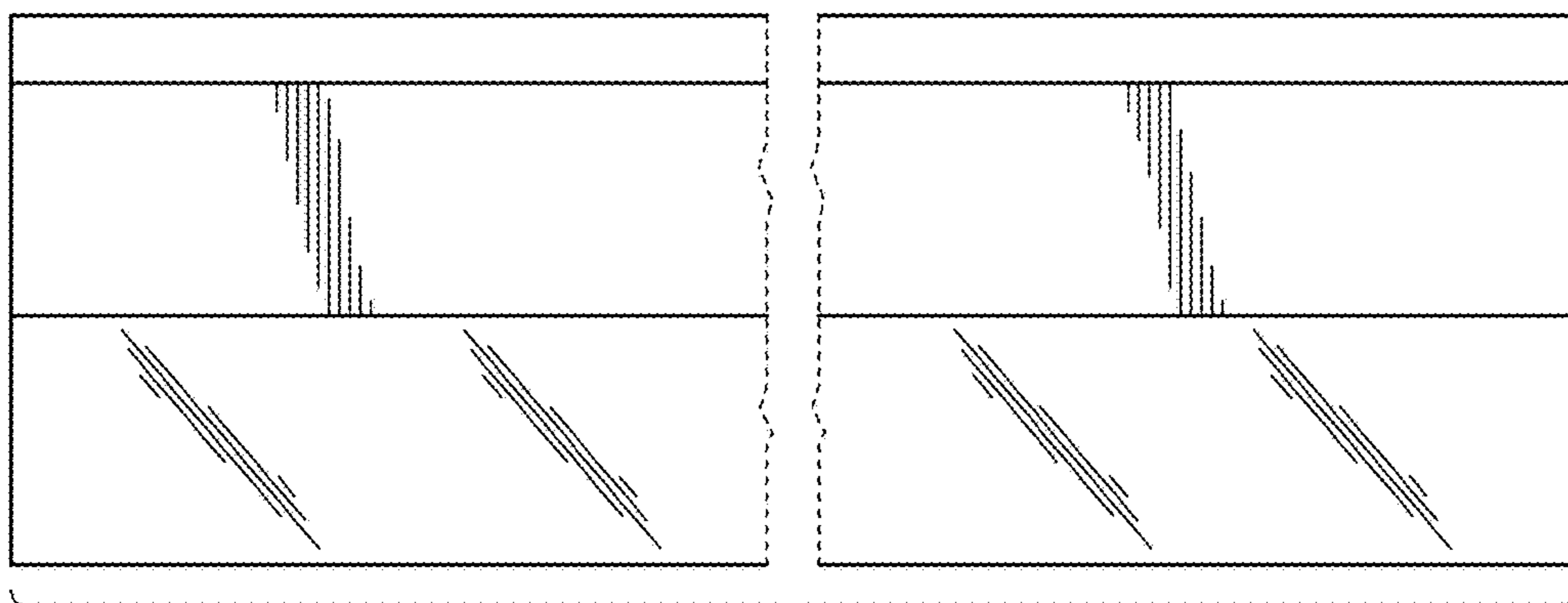


FIG. 3

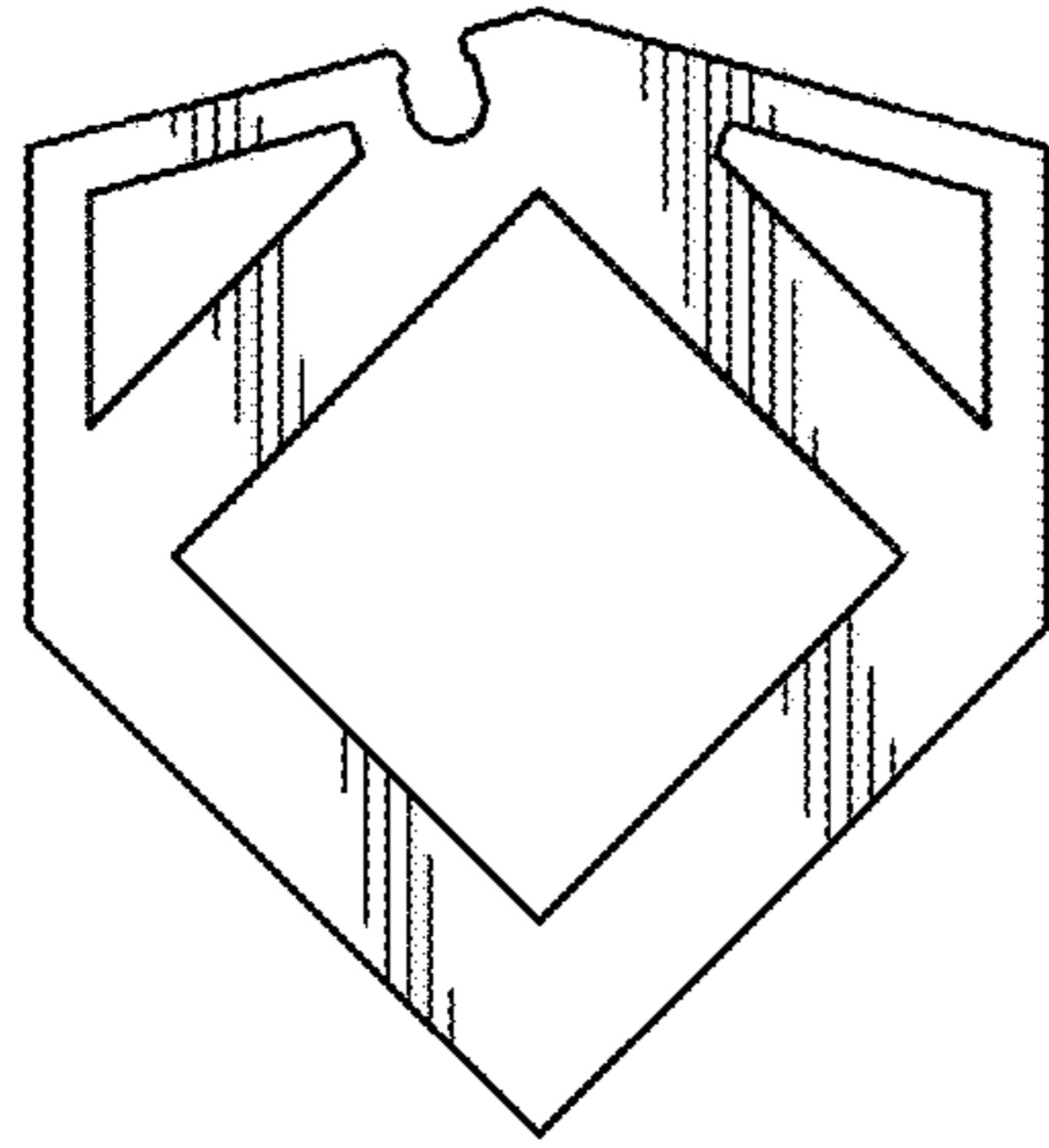


FIG. 4

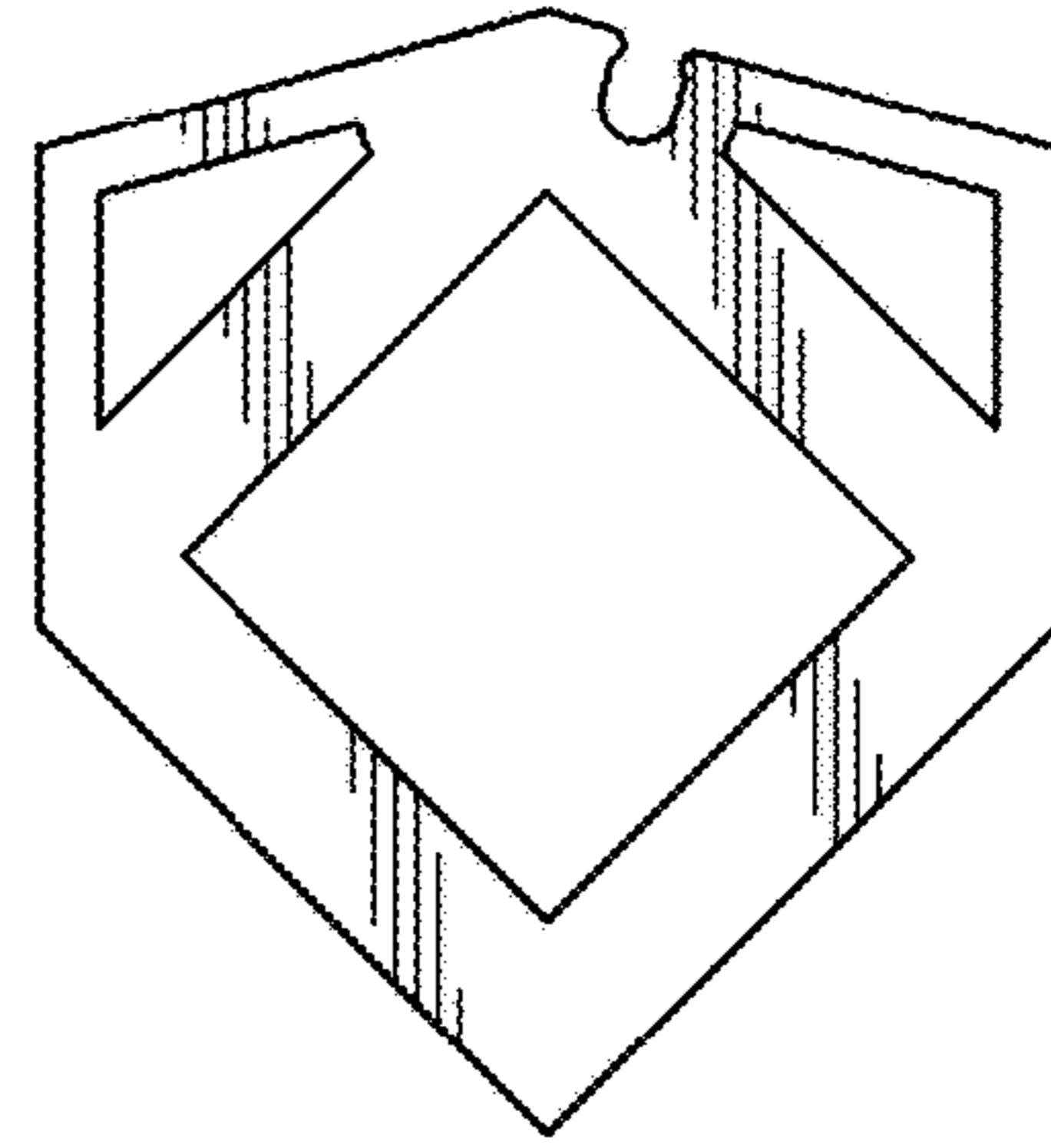


FIG. 5

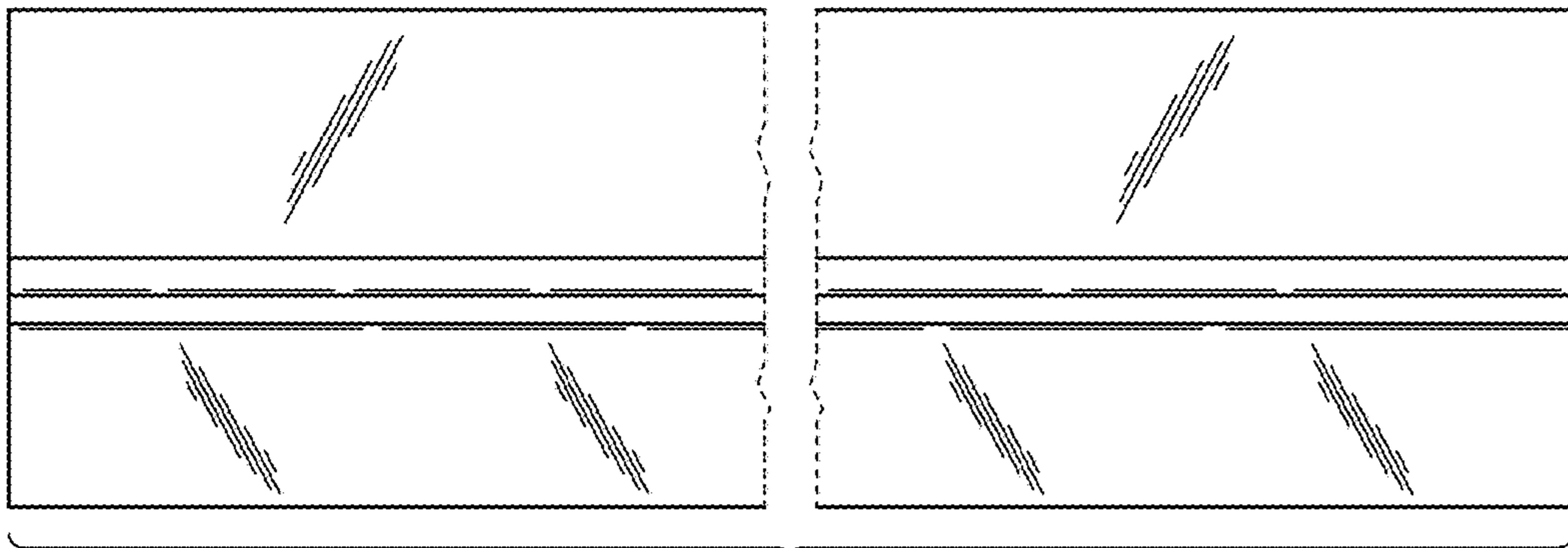


FIG. 6

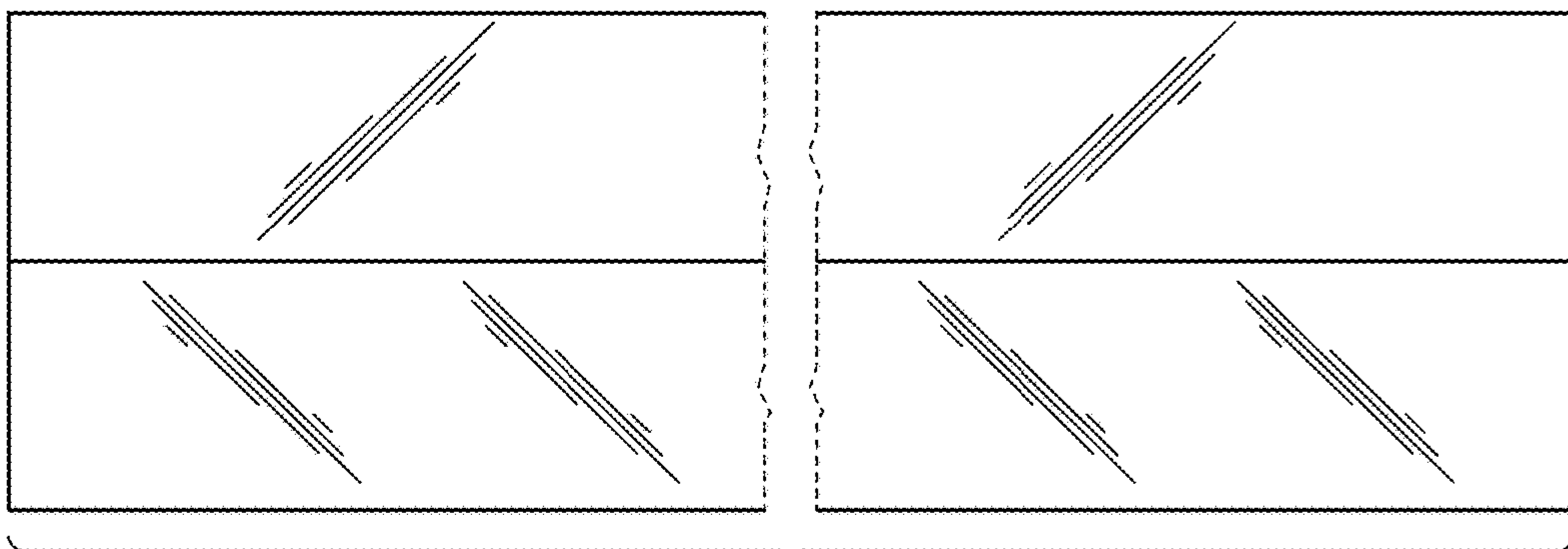


FIG. 7