

US00D826028S

(12) **United States Design Patent** (10) **Patent No.:** **US D826,028 S**
Krohn (45) **Date of Patent:** **** Aug. 21, 2018**

(54) **COUPLER LOCK**

(71) Applicant: **HORIZON GLOBAL AMERICAS INC.**, Plymouth, MI (US)

(72) Inventor: **Joshua Krohn**, Munroe Fall, OH (US)

(73) Assignee: **HORIZON GLOBAL AMERICAS INC.**, Plymouth, MI (US)

(**) Term: **15 Years**

(21) Appl. No.: **29/605,764**

(22) Filed: **May 30, 2017**

(51) **LOC (11) Cl.** **08-07**

(52) **U.S. Cl.**
USPC **D8/334**

(58) **Field of Classification Search**
USPC D8/300–302, 350, 330, 331, 343, 346, D8/334; 70/14, 158, 160, 452, 448, 466; 292/348, 350, 357; D11/117, 130, 34; D9/702, 720; 190/100, 101, 900
CPC E05B 1/0007; E05B 9/00; E05B 17/00; A45C 5/00; A45C 13/00; A45C 13/002
See application file for complete search history.

(56) **References Cited**

U.S. PATENT DOCUMENTS

D239,003 S * 3/1976 Seakan D8/334
5,233,496 A * 8/1993 Morishige H03F 3/3081
324/503
D341,940 S * 12/1993 MacDonald D3/207
5,440,904 A * 8/1995 Su B62H 5/003
70/18
5,640,861 A * 6/1997 Chen E05B 67/063
70/233

5,823,021 A * 10/1998 Chang E05B 67/063
70/38 A
6,701,757 B1 * 3/2004 Vito B62H 5/00
70/18
6,722,686 B2 4/2004 Koy
7,013,686 B1 * 3/2006 Chen E05B 67/063
70/233
D533,435 S * 12/2006 Kearns D8/334
D533,437 S * 12/2006 Ruan D8/343
D701,106 S * 3/2014 Plato D8/333
D720,204 S * 12/2014 Ferragu D8/333
D781,132 S * 3/2017 Nguyen D8/334
2007/0144222 A1 6/2007 Wyers
2010/0095717 A9 4/2010 Wyers

* cited by examiner

Primary Examiner — Prabhakar Deshmukh
(74) *Attorney, Agent, or Firm* — McDonald Hopkins LLC

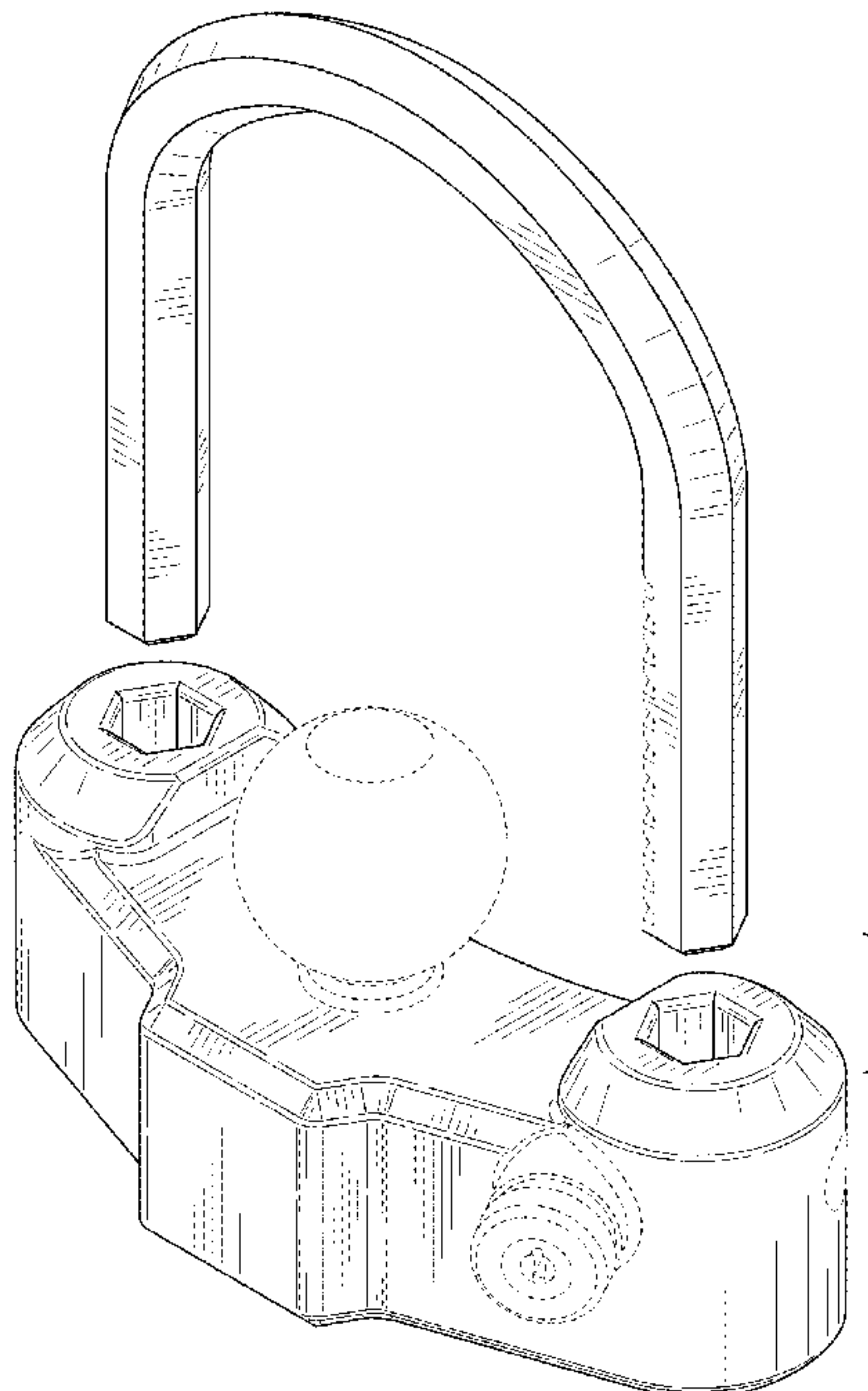
(57) **CLAIM**

The ornamental design for a coupler lock, as shown and described.

DESCRIPTION

FIG. 1 is a perspective view of a coupler lock showing my new design;
FIG. 2 is a front view thereof;
FIG. 3 is a rear view thereof;
FIG. 4 is a first side view thereof;
FIG. 5 is a second side view thereof;
FIG. 6 is a top view thereof; and,
FIG. 7 is a bottom view thereof.
The features shown in broken lines in the drawing figures are for the purpose of illustrating portions of the coupler lock and form no part of the claimed design.

1 Claim, 5 Drawing Sheets



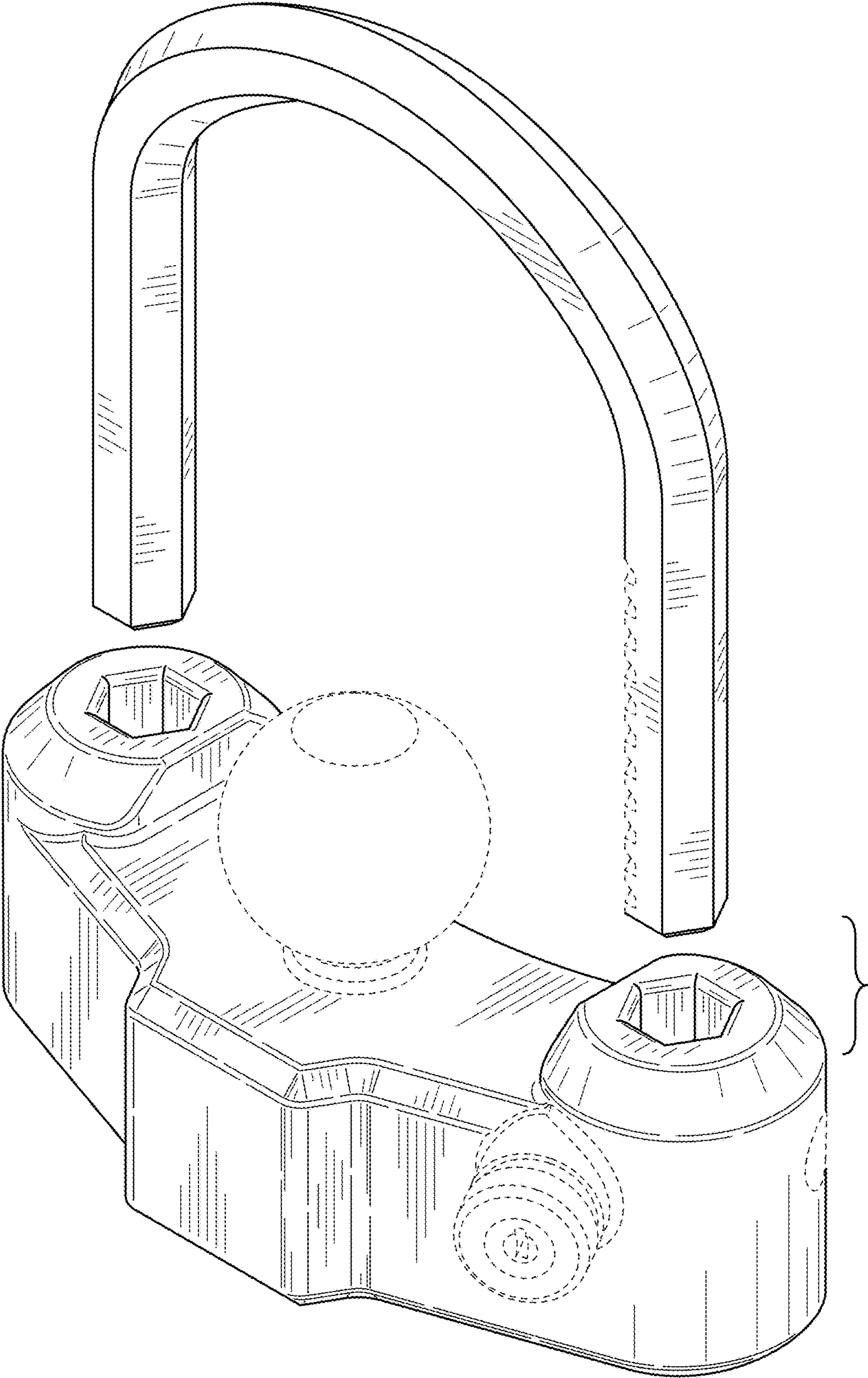


FIG. 1

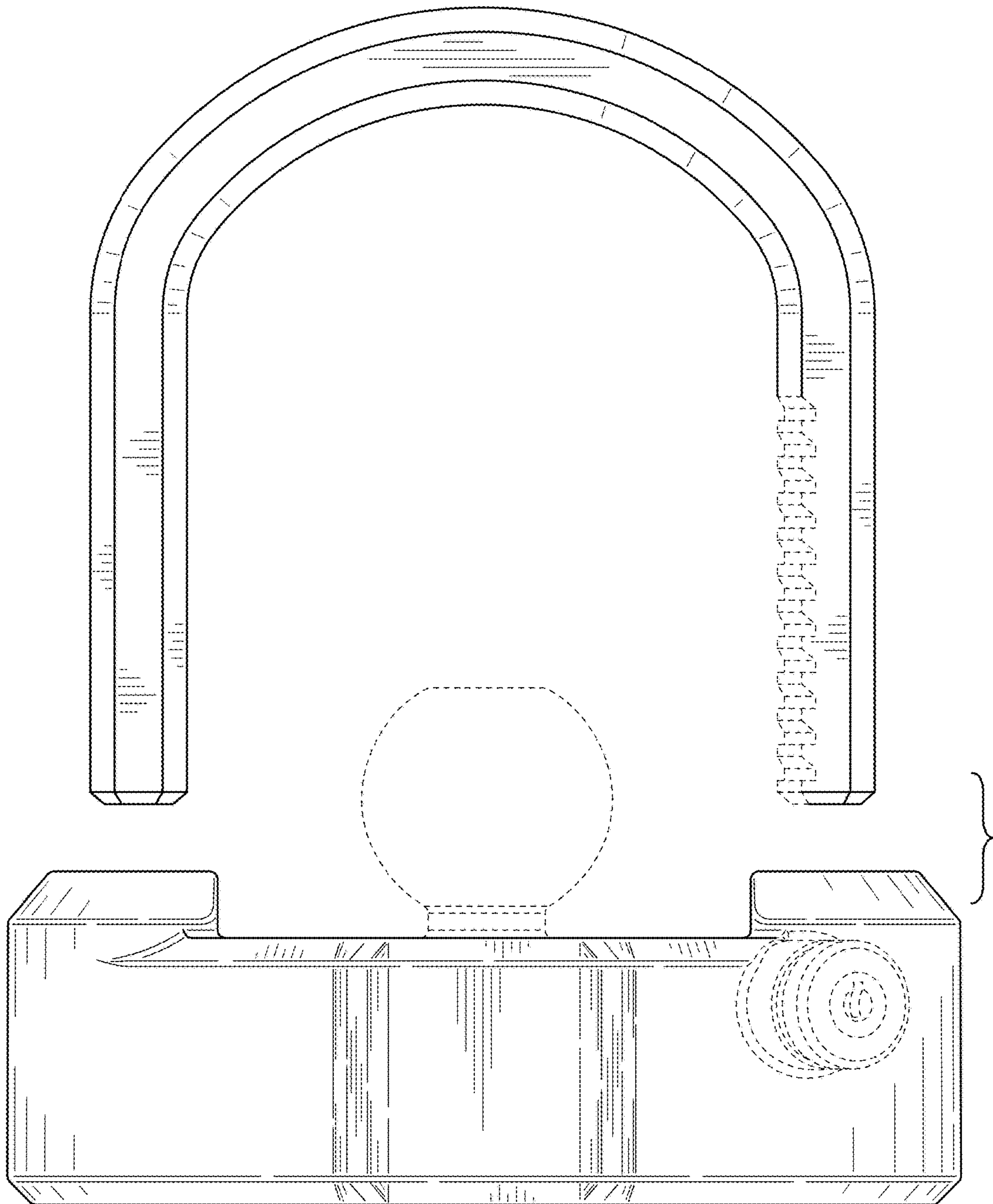


FIG. 2

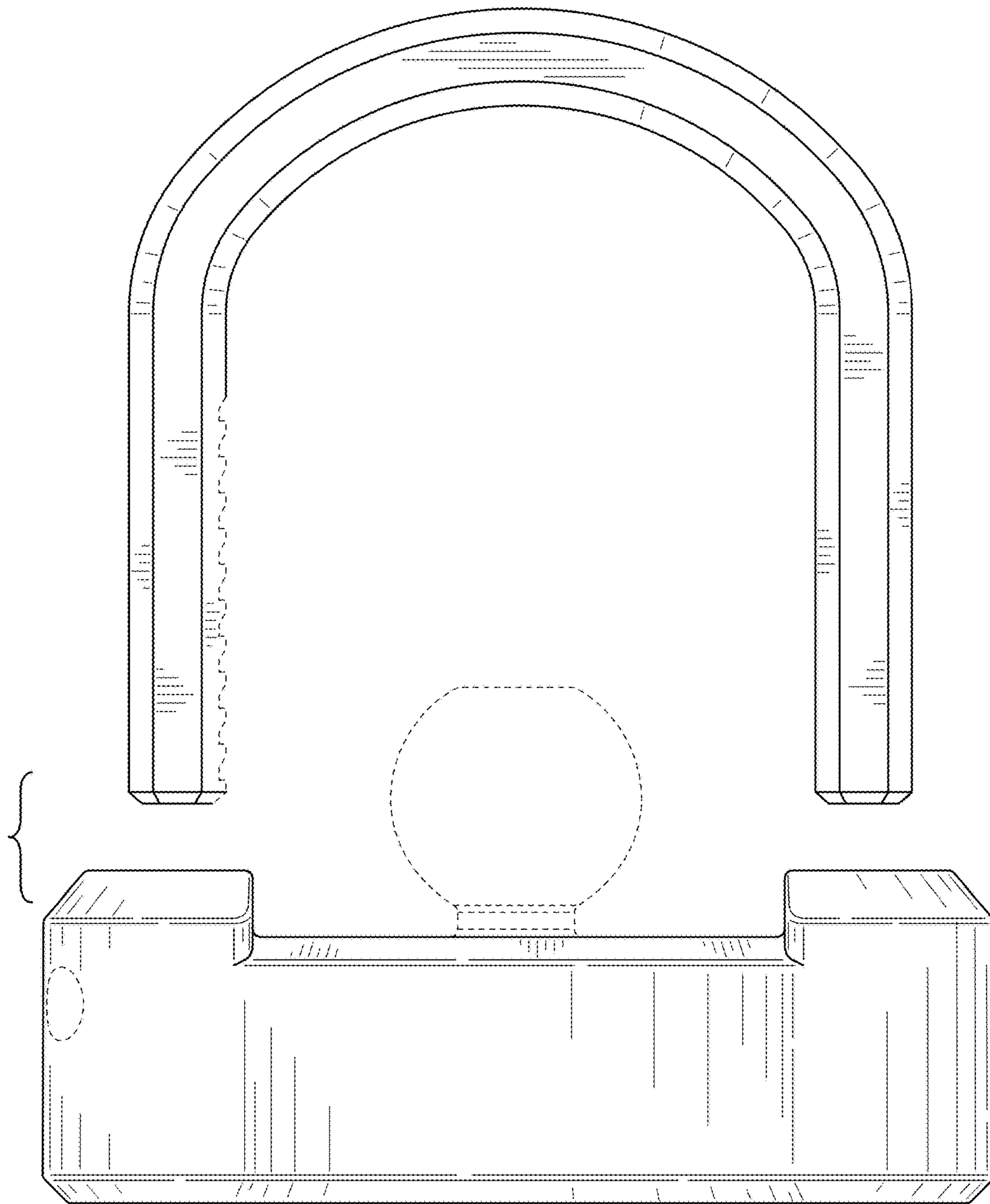


FIG. 3

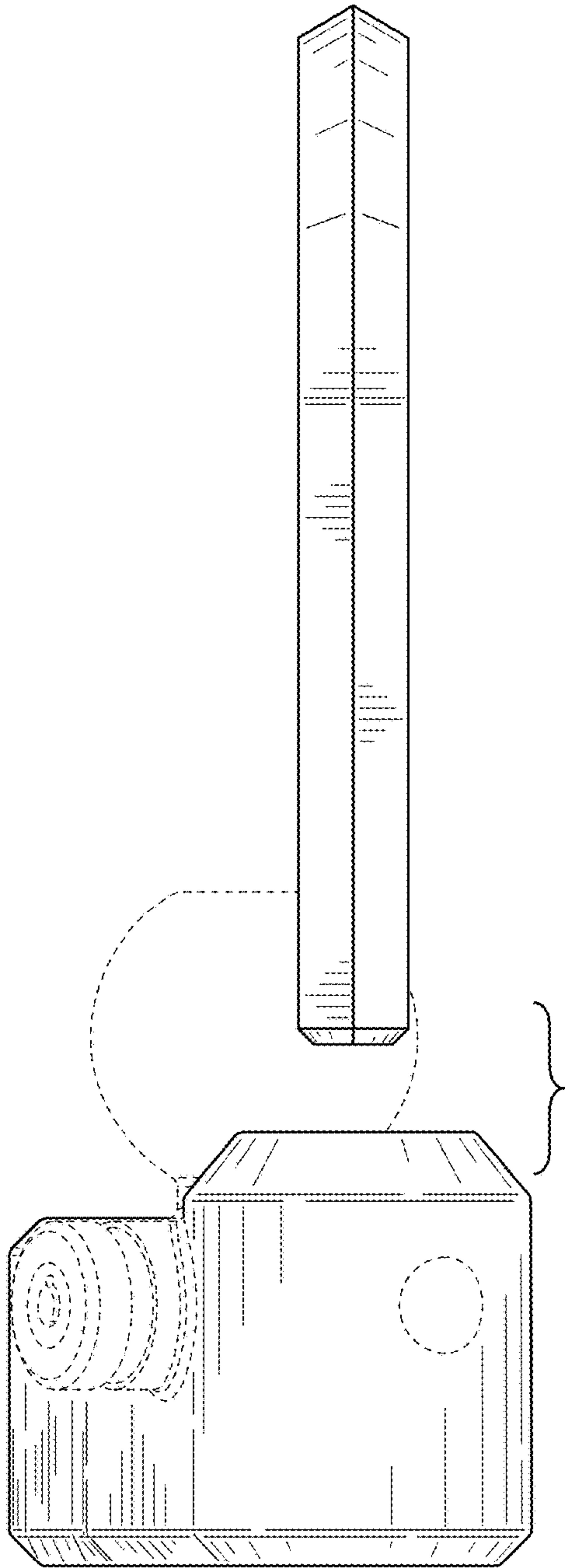


FIG. 4

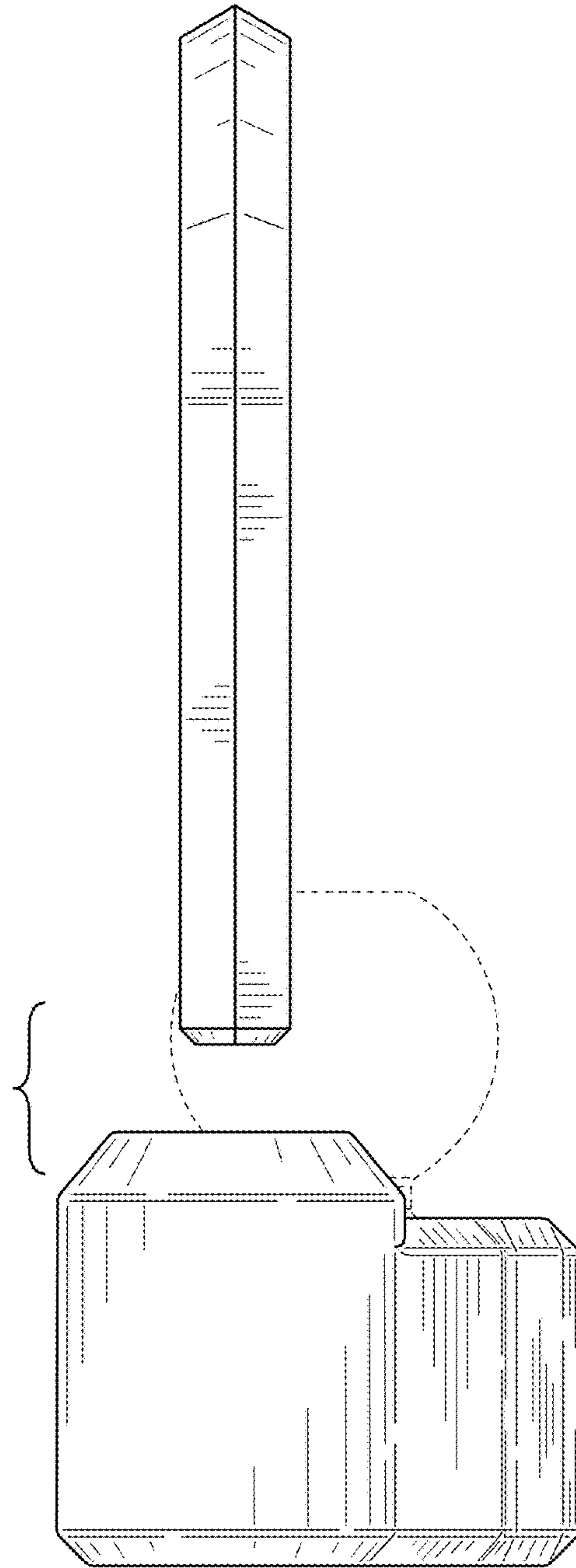


FIG. 5

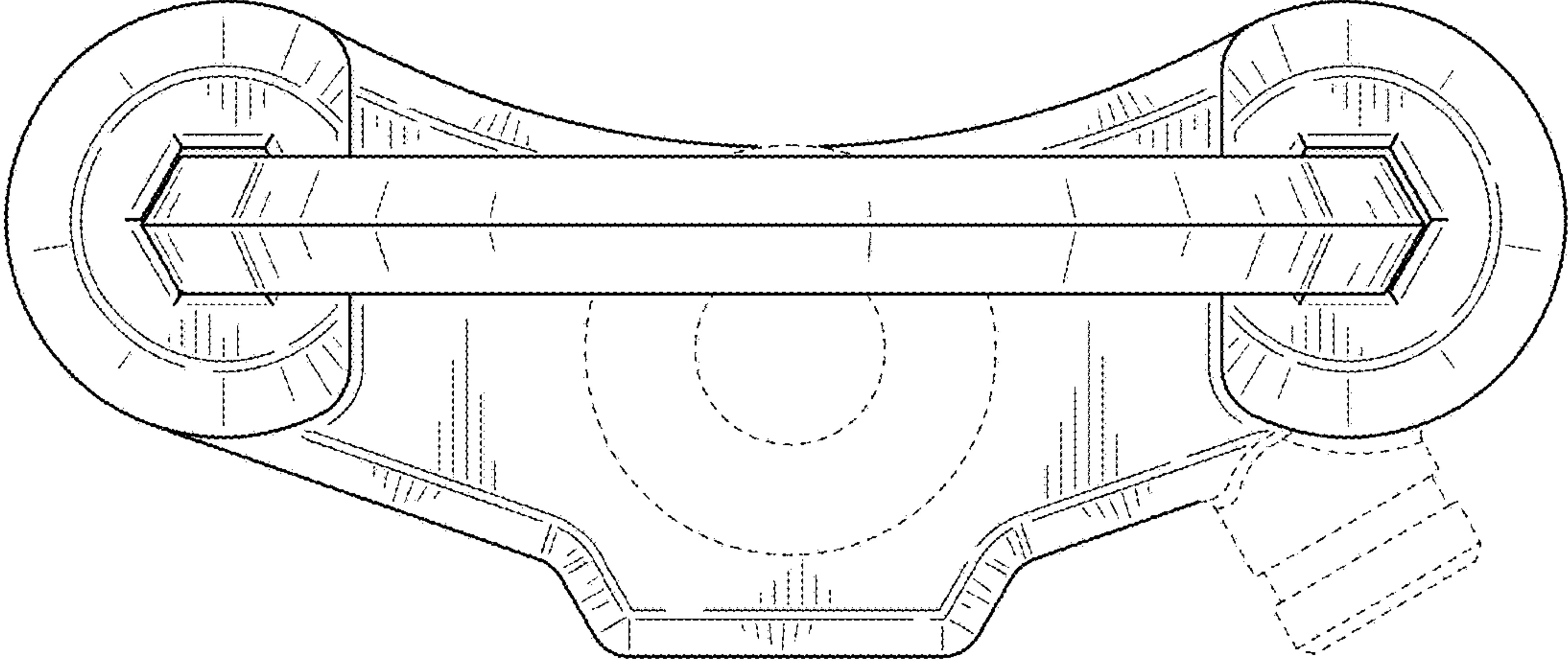


FIG. 6

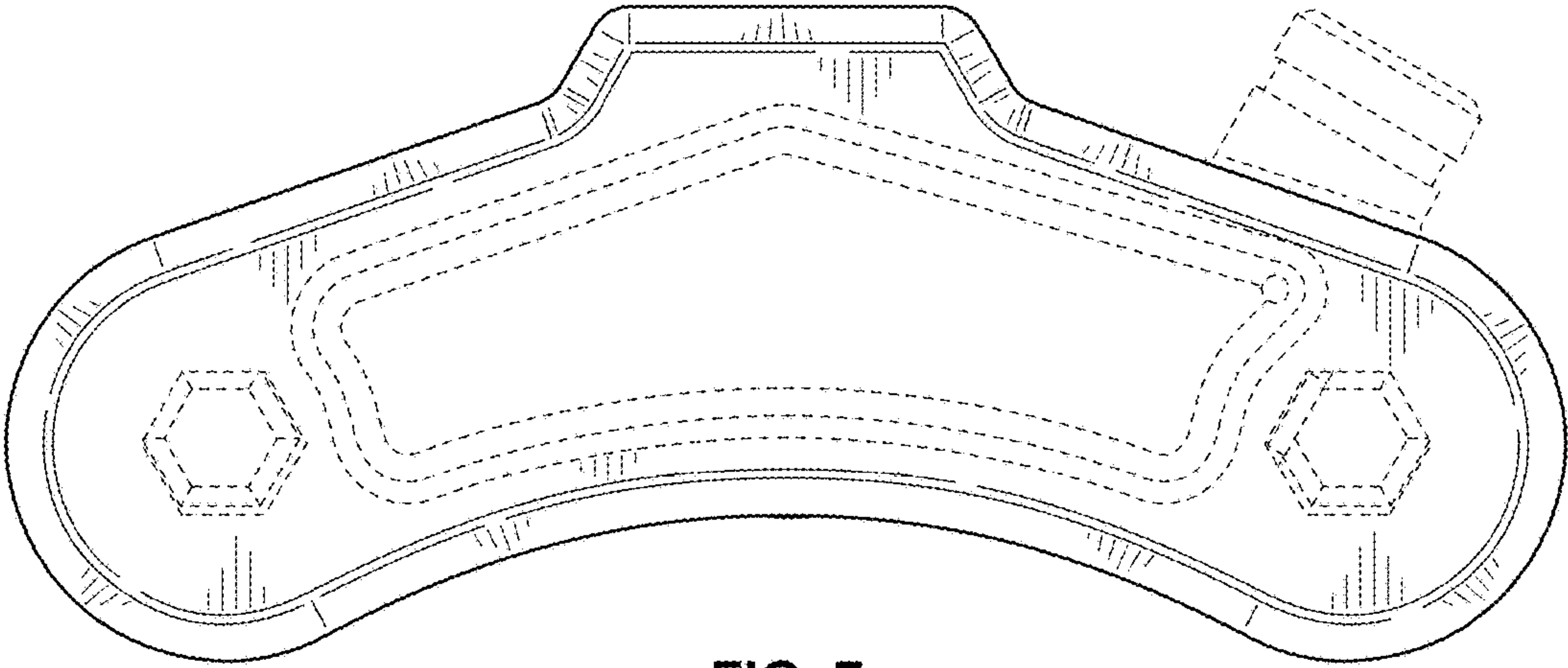


FIG. 7