



US00D826027S

(12) **United States Design Patent** (10) **Patent No.:** **US D826,027 S**  
**Carey et al.** (45) **Date of Patent:** **\*\* Aug. 21, 2018**

(54) **LATCH**

3,782,765 A 1/1974 Wallyn  
D232,798 S 9/1974 Roche  
D237,135 S 10/1975 Wiant et al.

(71) Applicant: **THE METAL WARE CORPORATION**, Two Rivers, WI (US)

(Continued)

(72) Inventors: **Richard Carey**, Manitowoc, WI (US);  
**Ross Niemi**, Chicago, IL (US)

*Primary Examiner* — Prabhakar Deshmukh  
(74) *Attorney, Agent, or Firm* — Seager, Tufte & Wickhem LLP

(73) Assignee: **The Metal Ware Corporation**, Two Rivers, WI (US)

(57) **CLAIM**

(\*\*) Term: **15 Years**

The ornamental design for a latch, as shown and described.

(21) Appl. No.: **29/608,071**

**DESCRIPTION**

(22) Filed: **Jun. 19, 2017**

(51) **LOC (11) Cl.** ..... **08-07**

(52) **U.S. Cl.**  
USPC ..... **D8/331**; D8/339; D8/343

(58) **Field of Classification Search**  
USPC ..... D8/330, 331, 333, 339, 343, 344, 345, D8/349, 354, 355, 356, 367, 382; 70/14, 70/49, 58, DIG. 63, DIG. 35, 30, 51, 52, 70/57, 57.1, 141, 431, 465, 466, 29, 70/63-76, 78, DIG. 31, DIG. 26, DIG. 67; 292/288, DIG. 30, 292, 181-287, 292/DIG. 16, DIG. 53, DIG. 42; 24/458, 24/455, 572.1, 573.09, 265 R, 307 R  
CPC ..... E05C 19/10; E05C 19/18; E05B 73/00; B25G 3/00; B25G 3/12  
See application file for complete search history.

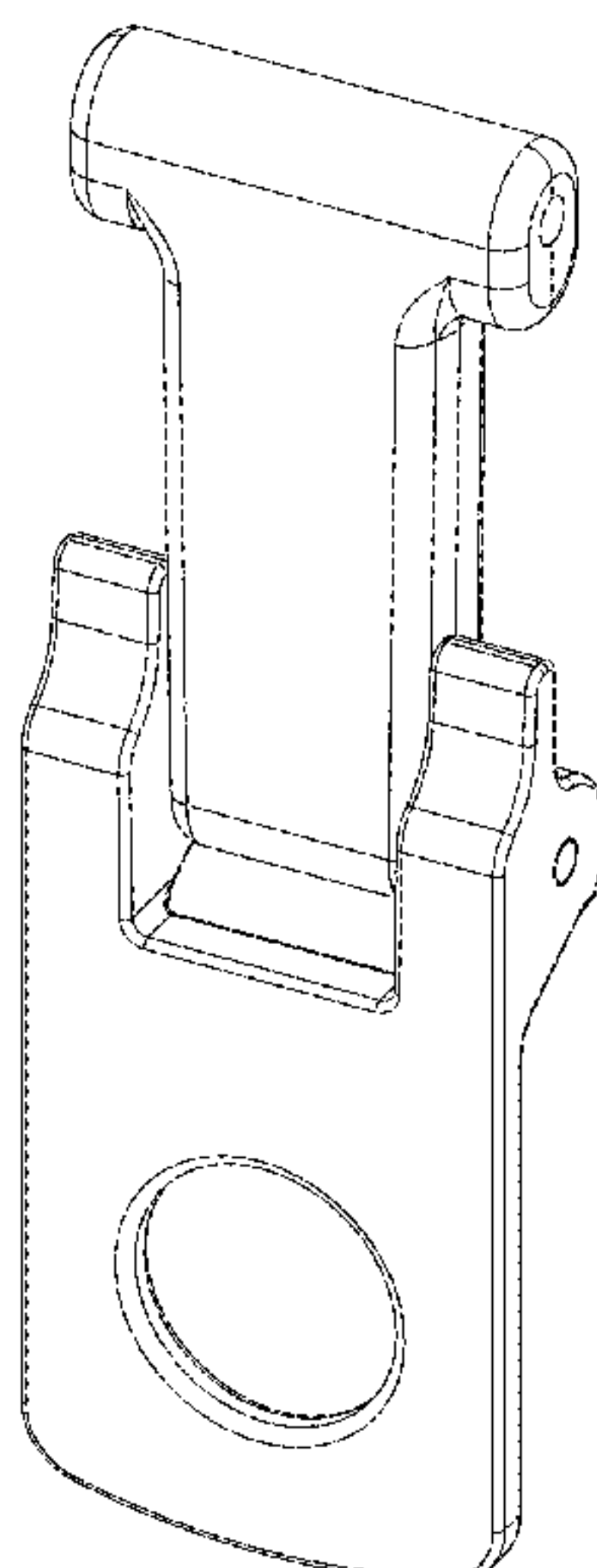
FIG. 1 is a perspective view of a latch showing our new design;  
FIG. 2 is a front elevational view thereof;  
FIG. 3 is a rear elevational view thereof;  
FIG. 4 is a right side elevational view thereof;  
FIG. 5 is a left side elevational view thereof;  
FIG. 6 is a top plan view thereof;  
FIG. 7 is a bottom plan view thereof;  
FIG. 8 is a perspective view thereof, shown the latch in environmental use with the latch in an engaged position;  
FIG. 9 is a perspective view thereof, shown the latch in environmental use with the latch in a released position;  
FIG. 10 is a another perspective view thereof, shown the latch in environmental use with the latch in an engaged position;  
FIG. 11 is another perspective view thereof, shown the latch in environmental use with the latch in an engaged position;  
FIG. 12 is another perspective view thereof, shown the latch in further environmental use with the latch in an engaged position; and,  
FIG. 13 is another perspective view thereof, shown the latch in further environmental use with the latch in an engaged position.  
The broken lines indicate the environment of a cooler in FIGS. 8-13 and form no part of the claimed design.

(56) **References Cited**

U.S. PATENT DOCUMENTS

1,483,953 A 2/1924 Rainey  
D70,542 S 7/1926 Davis et al.  
1,699,313 A 1/1929 Schlaich  
2,960,216 A 11/1960 Brady  
3,350,902 A \* 11/1967 Chance ..... E05B 65/50  
70/74  
D210,795 S 4/1968 Birger et al.

**1 Claim, 13 Drawing Sheets**



(56)

References Cited

U.S. PATENT DOCUMENTS

D257,934 S	1/1981	Buss	
D259,232 S	5/1981	Tarozzi	
D266,822 S	11/1982	Seager	
D270,604 S	9/1983	Zauft	
D281,695 S	12/1985	Ryan, Jr.	
D283,480 S	4/1986	Bailey	
D283,966 S	5/1986	Carlson	
D291,858 S	9/1987	Baker et al.	
4,702,504 A	10/1987	Brothers	
D305,397 S	1/1990	Balius	
D307,998 S	5/1990	Costello et al.	
D322,198 S	12/1991	Dringenburg	
D325,323 S	4/1992	Kahl	
D325,324 S	4/1992	Kahl	
D325,853 S	5/1992	Kahl	
D328,221 S	7/1992	Piccarillo	
D328,689 S	8/1992	Riskowski	
D330,329 S	10/1992	Brightbill	
D333,775 S *	3/1993	Krape	D8/331
D334,868 S	4/1993	Lau Woon	
D340,167 S	10/1993	Kahl	
D340,620 S	10/1993	Peters	
D349,007 S	7/1994	Costello	
D351,318 S	10/1994	Wedi	
D352,208 S	11/1994	Brookshire	
D353,304 S	12/1994	Friedrich	
D354,419 S	1/1995	Kahl et al.	
D366,599 S	1/1996	Brown et al.	
D369,722 S	5/1996	Lopez, Jr. et al.	
D370,159 S	5/1996	Fenton et al.	
D376,068 S	12/1996	Coy	
5,607,195 A	3/1997	Antonucci	
D380,369 S	7/1997	Antonucci	
D386,649 S	11/1997	Arnfelt	
5,683,097 A	11/1997	Fenton et al.	
5,735,428 A	4/1998	Chern	
5,738,238 A	4/1998	Yang	
5,742,990 A	4/1998	Antonucci	
D394,550 S	5/1998	Tanji	
D396,779 S	8/1998	Moffett, III et al.	
D397,585 S	9/1998	Rausch et al.	
D398,816 S	9/1998	Koutsouflakis	
D407,609 S	4/1999	Rausch	
5,926,927 A *	7/1999	Winkler	A41F 1/008 24/593.1
D415,393 S	10/1999	Kei	
D415,658 S	10/1999	Frehse	
D421,552 S	3/2000	Frehse	
D423,294 S	4/2000	Klein et al.	
D429,606 S	8/2000	Israel et al.	
D437,736 S	2/2001	Moffett, III et al.	
D439,406 S	3/2001	Zimmerman	
D439,913 S	4/2001	Jobst	
D454,292 S	3/2002	Plummer et al.	
6,398,272 B1	6/2002	Plummer et al.	
D467,470 S	12/2002	Cantor et al.	
D467,770 S	12/2002	Blalock	
D469,681 S *	2/2003	Votruba	D8/343
D475,248 S	6/2003	Cantor et al.	
D486,457 S	2/2004	Leba et al.	
D492,184 S *	6/2004	Parker	D8/331
D494,021 S	8/2004	Huthmaker	
D511,247 S	11/2005	Tsuchiya	
D511,624 S	11/2005	Rosine et al.	
D521,810 S	5/2006	Estes	
D528,368 S	9/2006	Maldonado	
D541,627 S *	5/2007	Wolf	D8/331
D552,426 S	10/2007	Jones et al.	
D560,102 S	1/2008	Sumter	
D563,731 S	3/2008	Thurston	
D566,479 S	4/2008	Kabalin	
D575,059 S	8/2008	Cappiello et al.	
7,424,813 B2 *	9/2008	Wu	E05B 37/0034 70/18
D587,972 S	3/2009	Dorisca et al.	
7,533,782 B2	5/2009	Parker et al.	
D595,185 S *	6/2009	Kouchi	D12/91
7,540,364 B2	6/2009	Sanderson	
D604,994 S	12/2009	Greenlees	
D613,109 S	4/2010	Sanchez et al.	
D613,560 S	4/2010	Robichaud et al.	
7,722,204 B1	5/2010	Sandberg	
7,810,220 B2 *	10/2010	Anthony	A01K 27/005 24/599.1
D634,982 S	3/2011	Melchert et al.	
D637,459 S	5/2011	Giese	
D640,102 S	6/2011	Hawkins	
D645,248 S	9/2011	Osiecki et al.	
D646,528 S	10/2011	Stallman et al.	
D651,860 S	1/2012	Nie	
D660,885 S	5/2012	Crawford	
8,210,702 B1	7/2012	Sandberg	
D694,070 S	11/2013	Torres	
D712,720 S	9/2014	Seiders	
D712,721 S	9/2014	Seiders	
D712,722 S	9/2014	Seiders	
D712,723 S	9/2014	Seiders	
D714,125 S	9/2014	Seiders	
8,910,819 B2	12/2014	Seiders	
D727,134 S *	4/2015	Yamamoto	D8/331
D740,100 S *	10/2015	Alfredsson	D8/330
9,187,232 B2	11/2015	Seiders	
D747,950 S	1/2016	Jacobsen et al.	
D747,951 S	1/2016	Jacobsen et al.	
D748,452 S	2/2016	Jacobsen et al.	
D750,953 S	3/2016	Jacobsen et al.	
D759,590 S *	6/2016	Wang	D13/119
D779,306 S *	2/2017	Finkelstein	D8/331
2008/0025544 A1	1/2008	Maldonado	
2008/0110892 A1	5/2008	House	
2009/0139245 A1	6/2009	Blackway et al.	
2011/0203297 A1	8/2011	Oberweis	
2012/0132657 A1	5/2012	Seiders	
2014/0252010 A1	9/2014	Miller	

\* cited by examiner

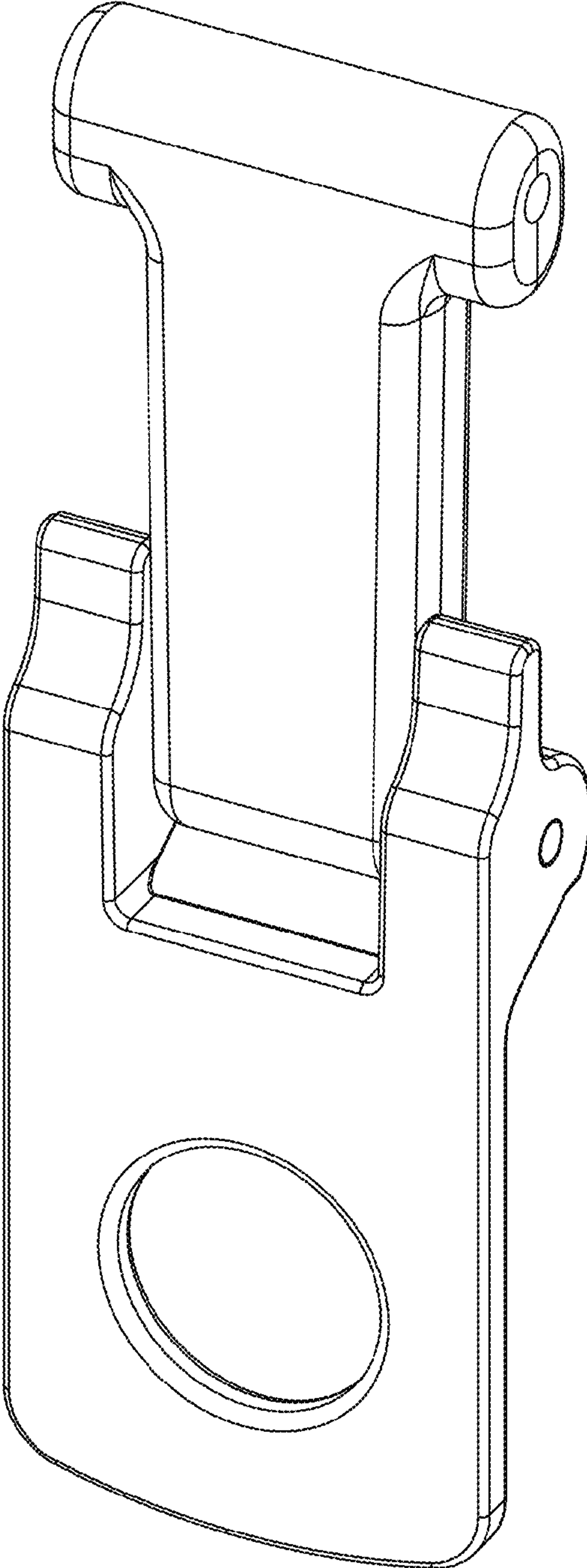


Figure 1



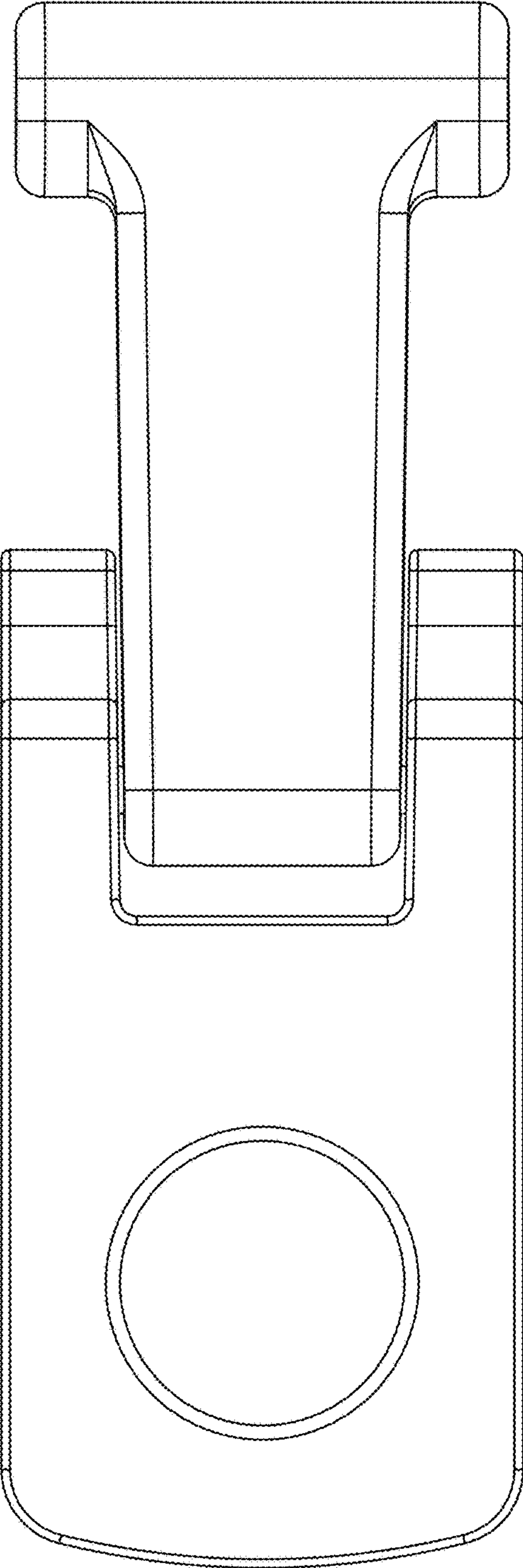


Figure 2

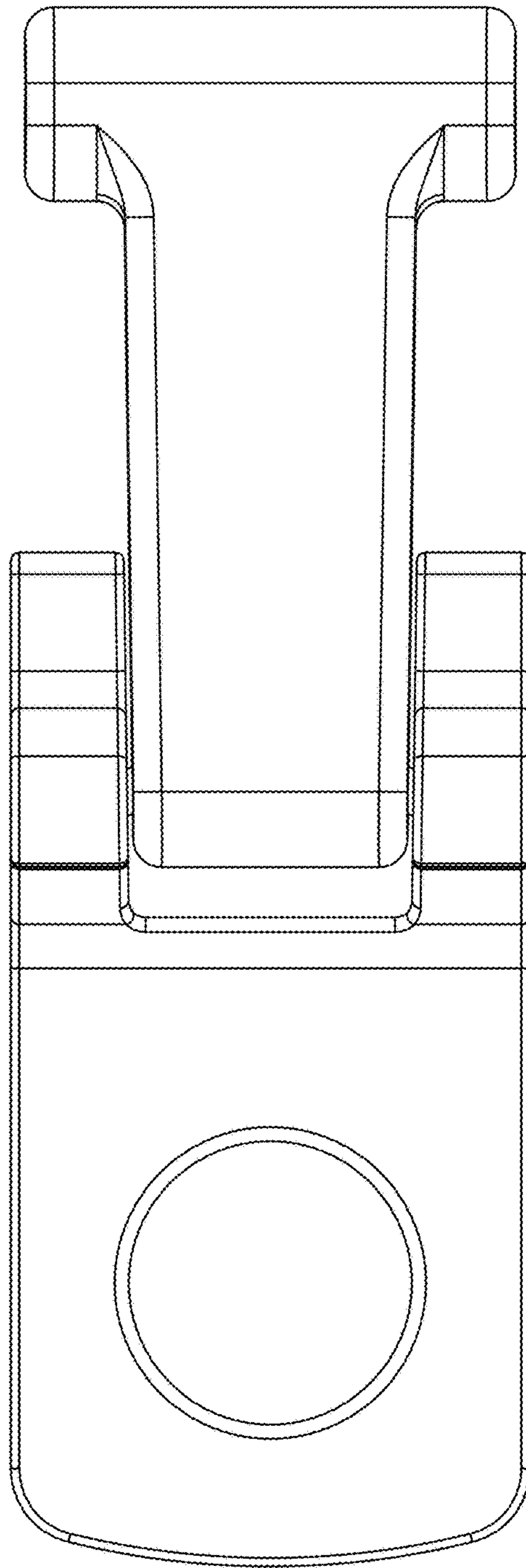


Figure 3

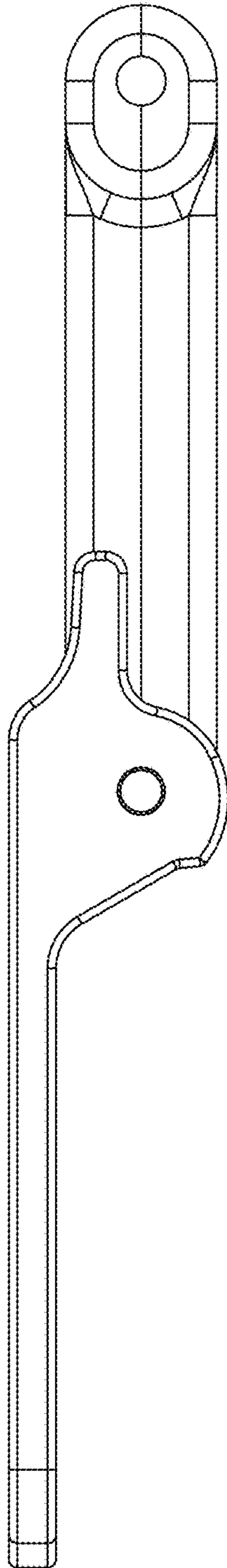


Figure 4

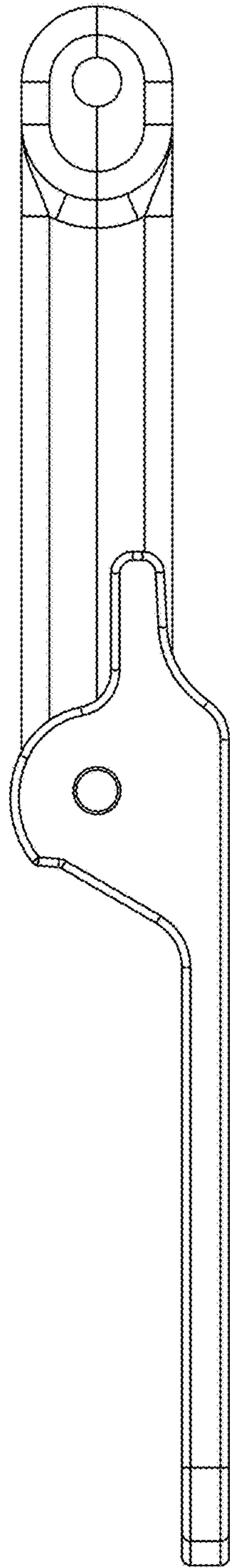


Figure 5

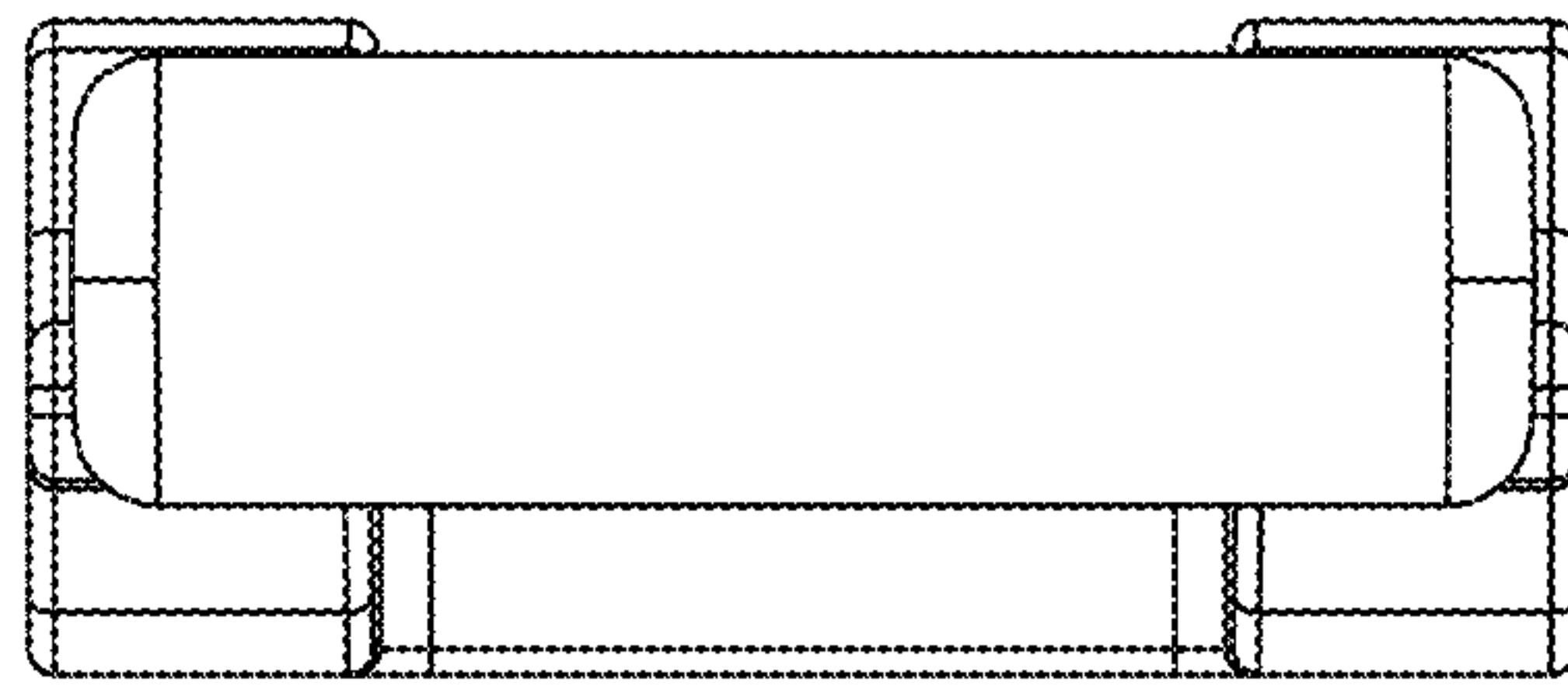


Figure 6



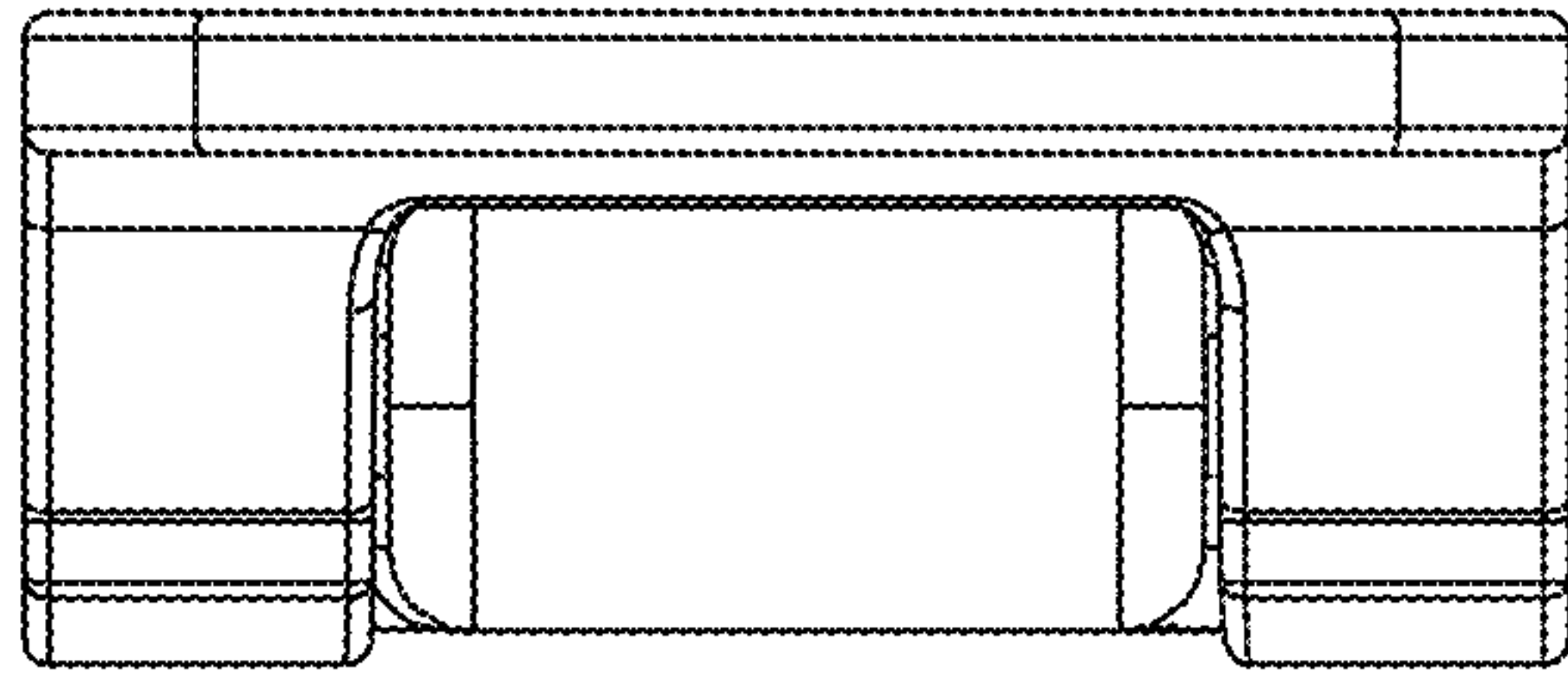


Figure 7

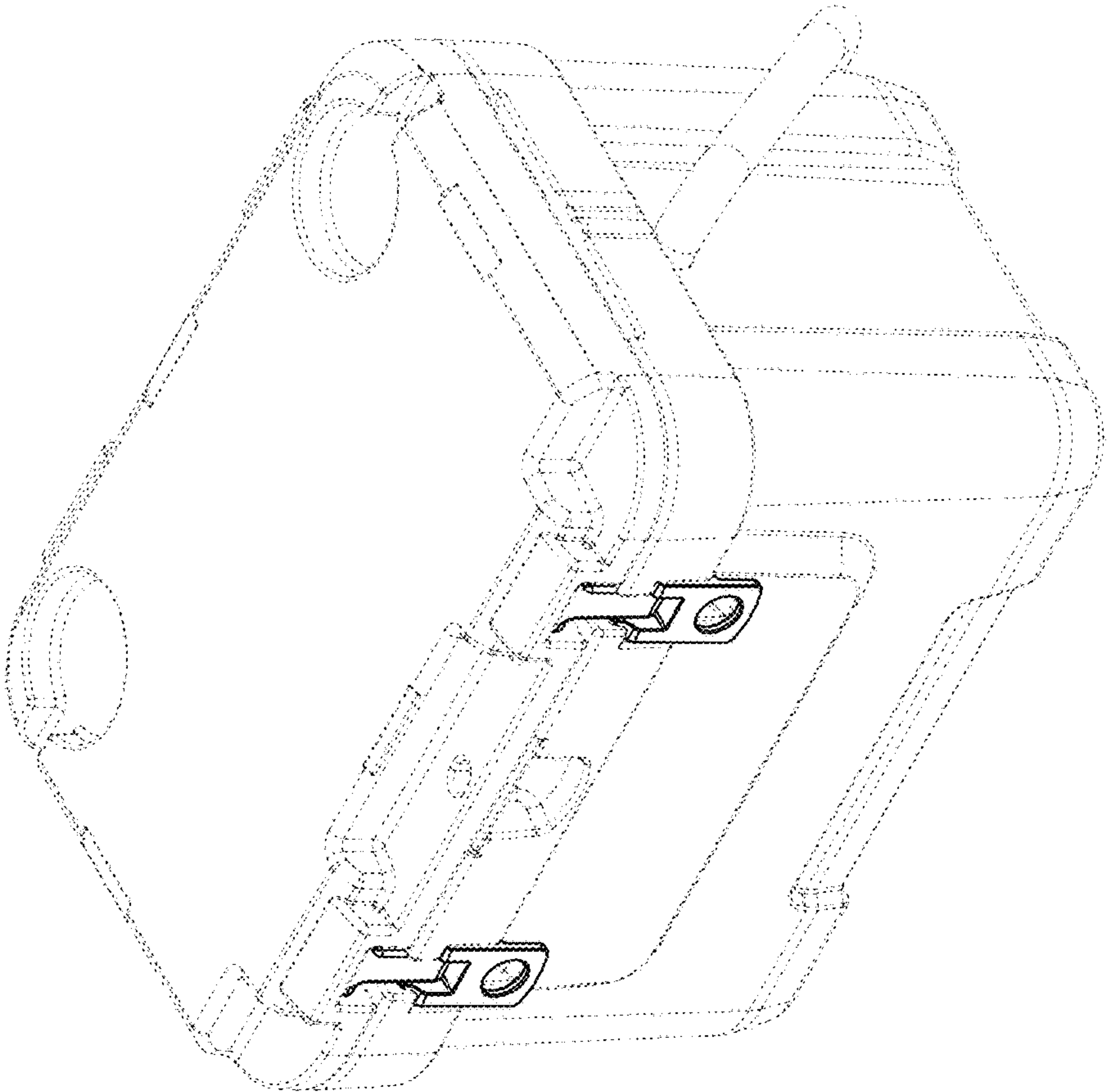


Figure 8

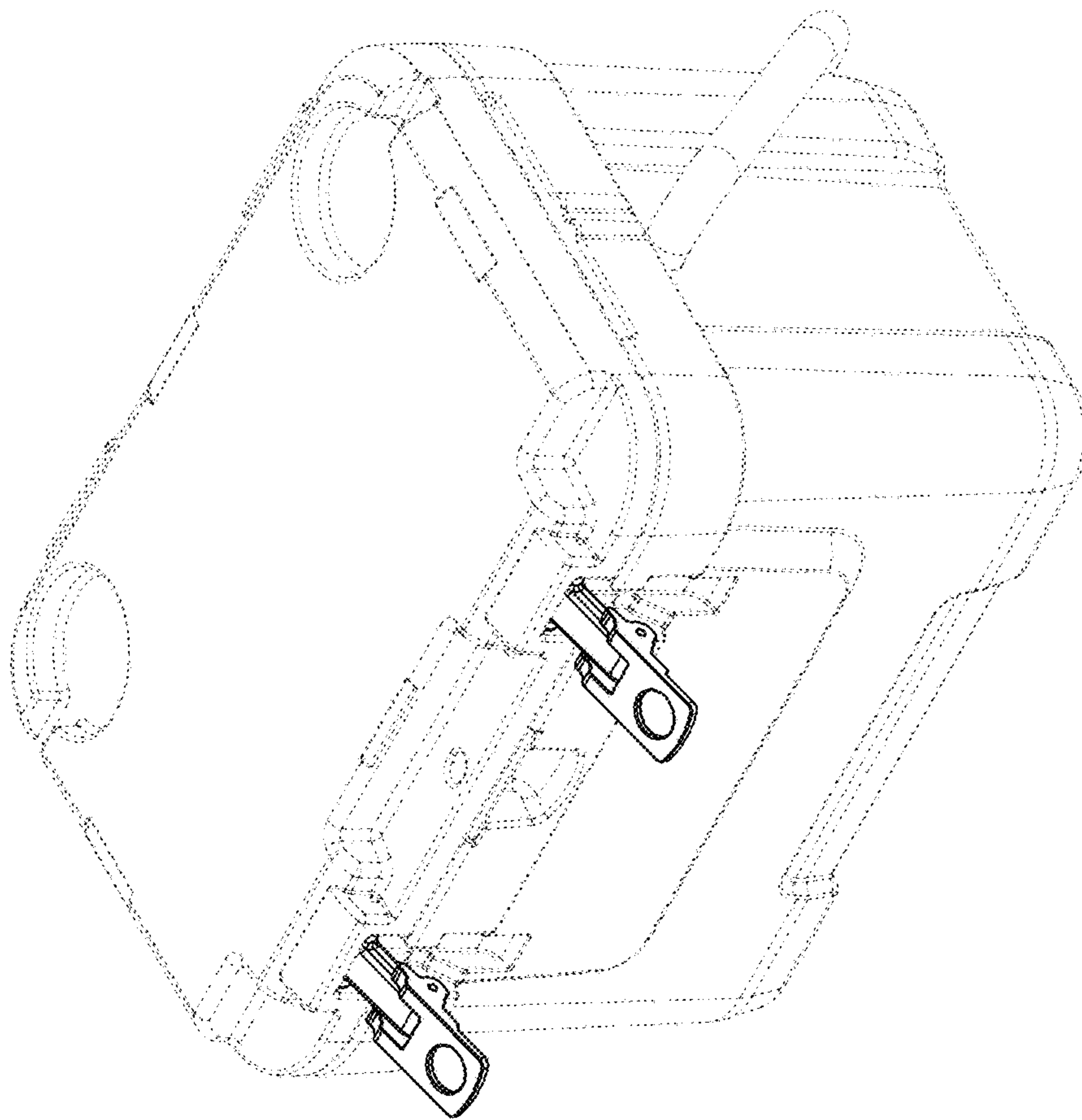


Figure 9

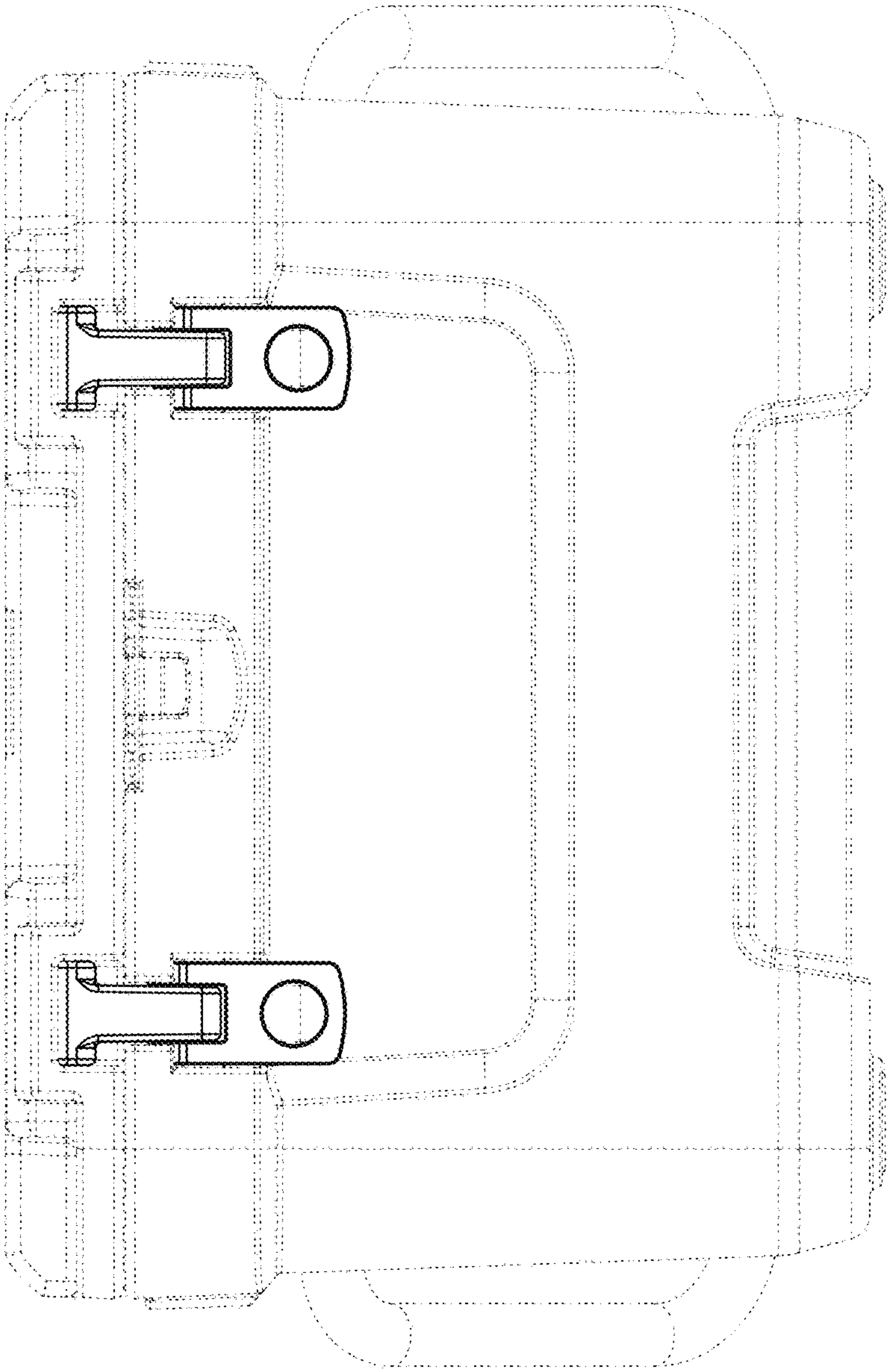


Figure 10

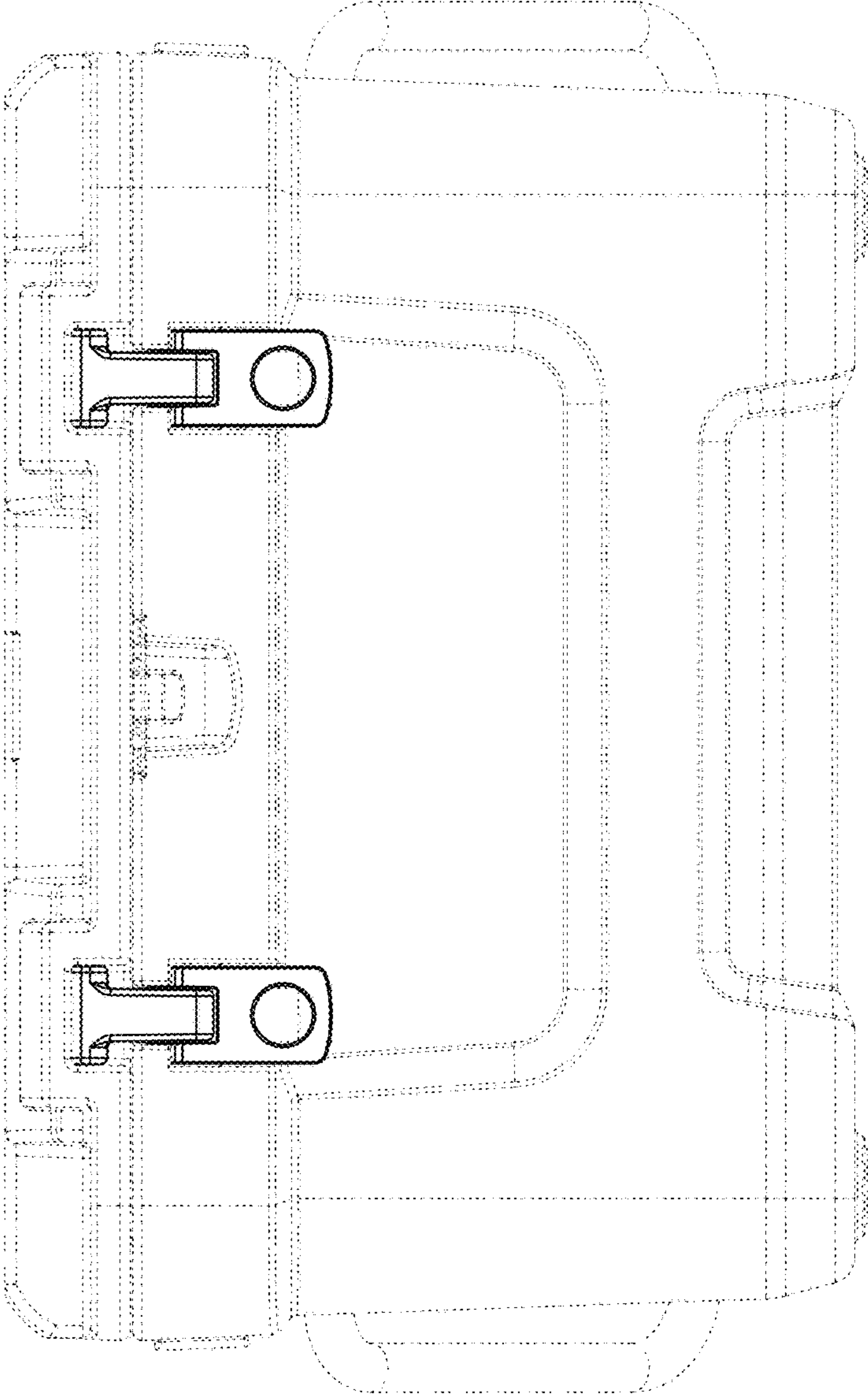


Figure 11



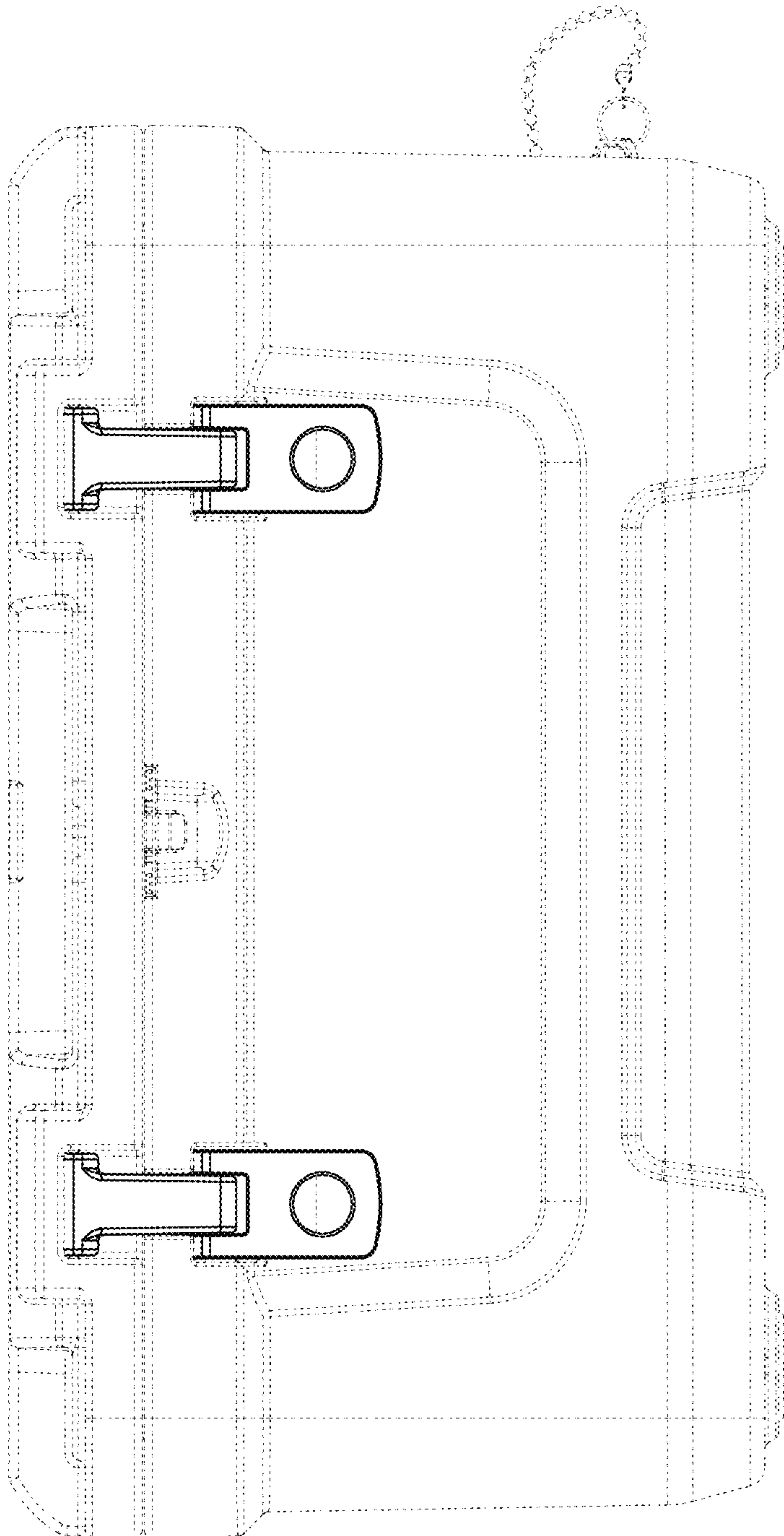


Figure 12

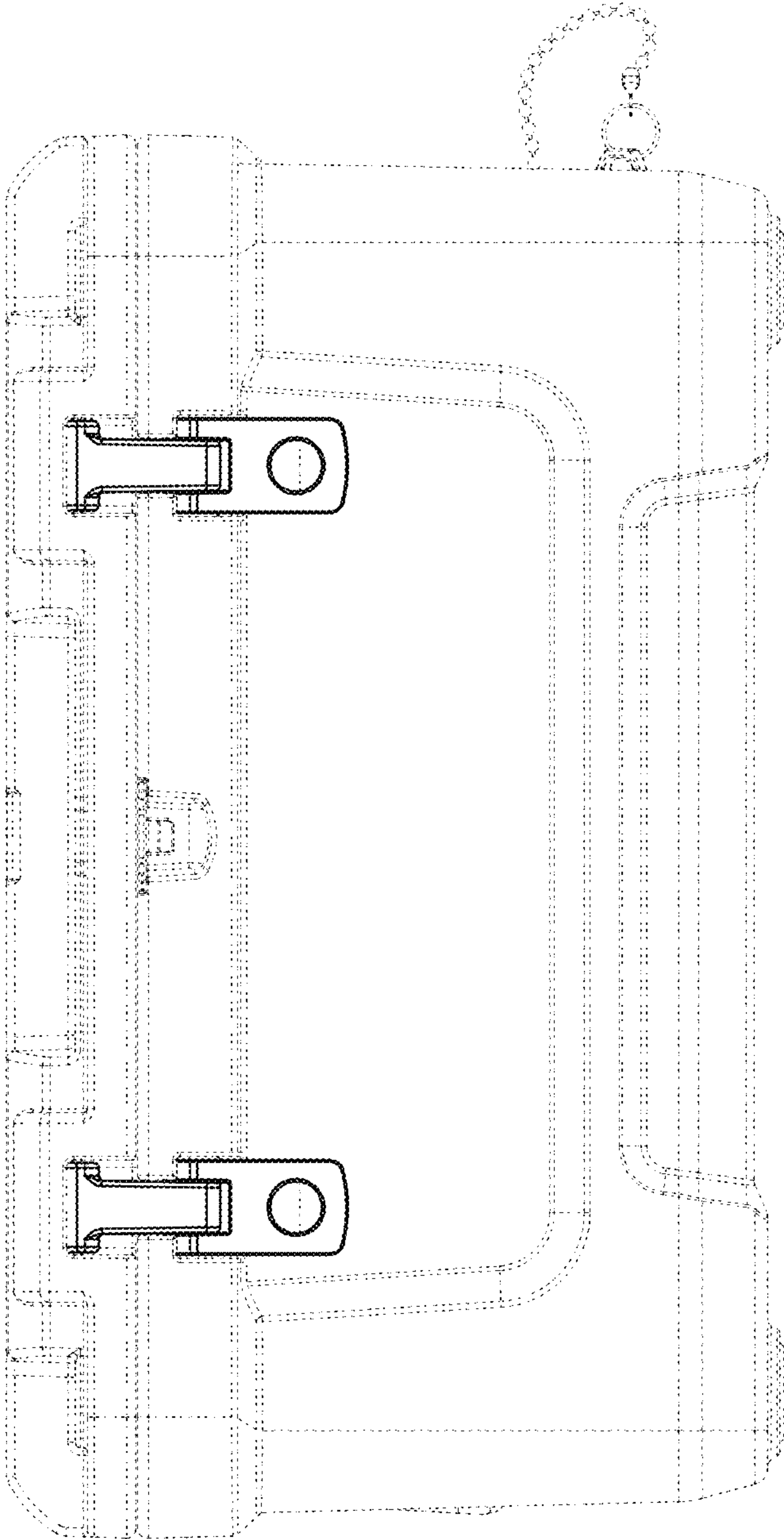


Figure 13