



US00D826023S

(12) **United States Design Patent** (10) **Patent No.:** **US D826,023 S**  
**Chun** (45) **Date of Patent:** **\*\* Aug. 21, 2018**

- (54) **ADJUSTABLE CLAMP**
- (71) Applicant: **James Chun**, Fremont, CA (US)
- (72) Inventor: **James Chun**, Fremont, CA (US)
- (\*\*) Term: **15 Years**
- (21) Appl. No.: **29/603,401**
- (22) Filed: **May 9, 2017**
- (51) **LOC (11) Cl.** ..... **08-05**
- (52) **U.S. Cl.**  
USPC ..... **D8/72**
- (58) **Field of Classification Search**  
USPC ..... D8/71-74, 394-399, 354, 355, 356, 59;  
248/62, 63, 72, 74.1, 689, 124.2; 81/487,  
81/385, 386, 388-390; 269/3, 4, 6, 143,  
269/165, 240, 243, 246-249, 254 R,  
269/147-149; 29/256, 257, 276;  
D15/140; D24/143; 408/103, 104-109;  
D7/683, 685, 686; D6/684  
CPC ..... B25B 1/00; B25B 5/00; B25B 1/2478;  
B25B 1/103; B25B 1/22; B25B 1/2405;  
B25B 1/2457  
See application file for complete search history.

- D559,672 S \* 1/2008 Alexander ..... D8/384
- D576,479 S \* 9/2008 Alexander ..... D8/384
- D607,711 S \* 1/2010 Adams ..... D8/354
- D739,410 S \* 9/2015 Chun ..... D14/447
- D780,743 S \* 3/2017 Chun ..... D14/253
- D783,014 S \* 4/2017 Chun ..... D14/253
- D801,797 S \* 11/2017 Powers ..... D8/394
- D804,289 S \* 12/2017 Wengreen ..... D8/354

\* cited by examiner

*Primary Examiner* — David Muller  
*Assistant Examiner* — Nathan Johnston  
(74) *Attorney, Agent, or Firm* — Dean Craine; Marisa Whitaker

(57) **CLAIM**

The ornamental design for an adjustable clamp, as shown and described.

**DESCRIPTION**

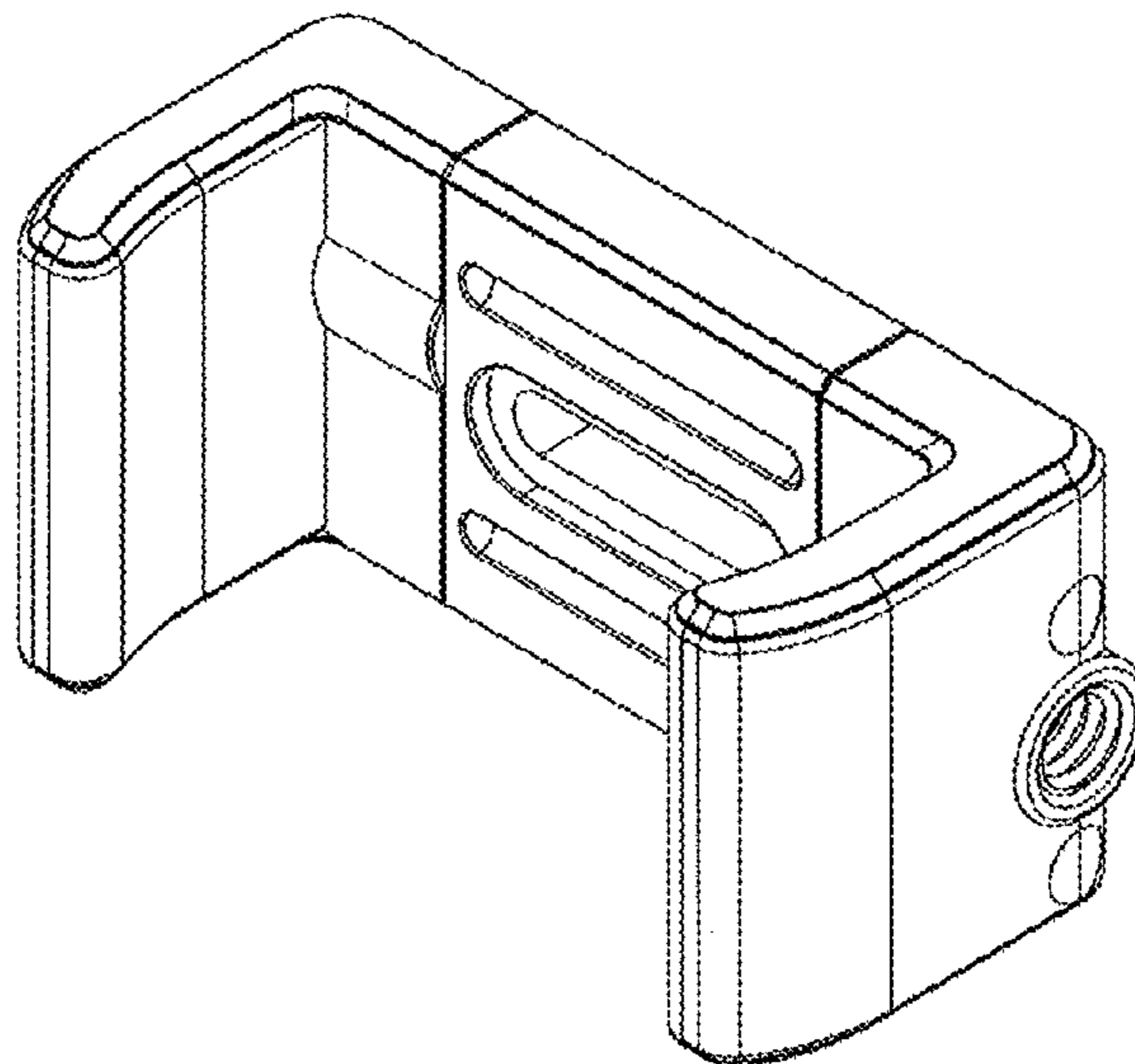
FIG. 1 is a top perspective view of an adjustable screw clamp shown in a closed configuration showing my new design.  
FIG. 2 is a top plan view thereof.  
FIG. 3 is a front elevational view thereof.  
FIG. 4 is a rear elevational thereof.  
FIG. 5 is a bottom view thereof.  
FIG. 6 is a left side elevation view thereof.  
FIG. 7 is a right side elevation view thereof.  
FIG. 8 is a top perspective view of an adjustable clamp shown in an expanded configuration.  
FIG. 9 is a top plan view thereof; and,  
FIG. 10 is a front elevational view thereof.  
The broken lines show portions of the design that form no part of the claimed design.

(56) **References Cited**

U.S. PATENT DOCUMENTS

- D140,862 S \* 4/1945 Conlan ..... D13/161
- D269,064 S \* 5/1983 Ericsson ..... D8/356
- D269,065 S \* 5/1983 Hough, Jr. .... D8/356
- D351,775 S \* 10/1994 Wedler ..... D8/70
- 6,032,939 A \* 3/2000 Chen ..... B25B 1/103  
269/249

**1 Claim, 4 Drawing Sheets**



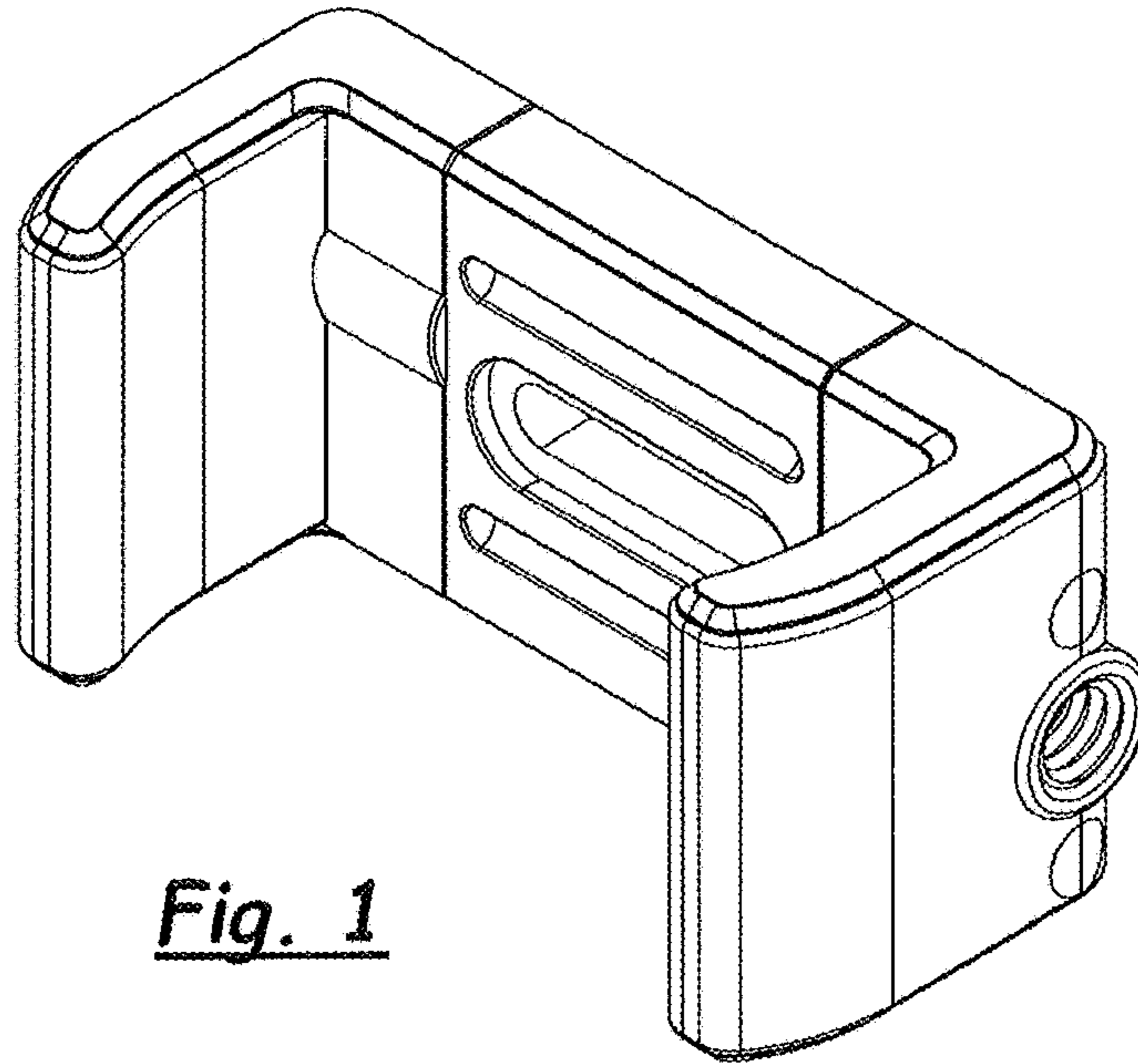


Fig. 1

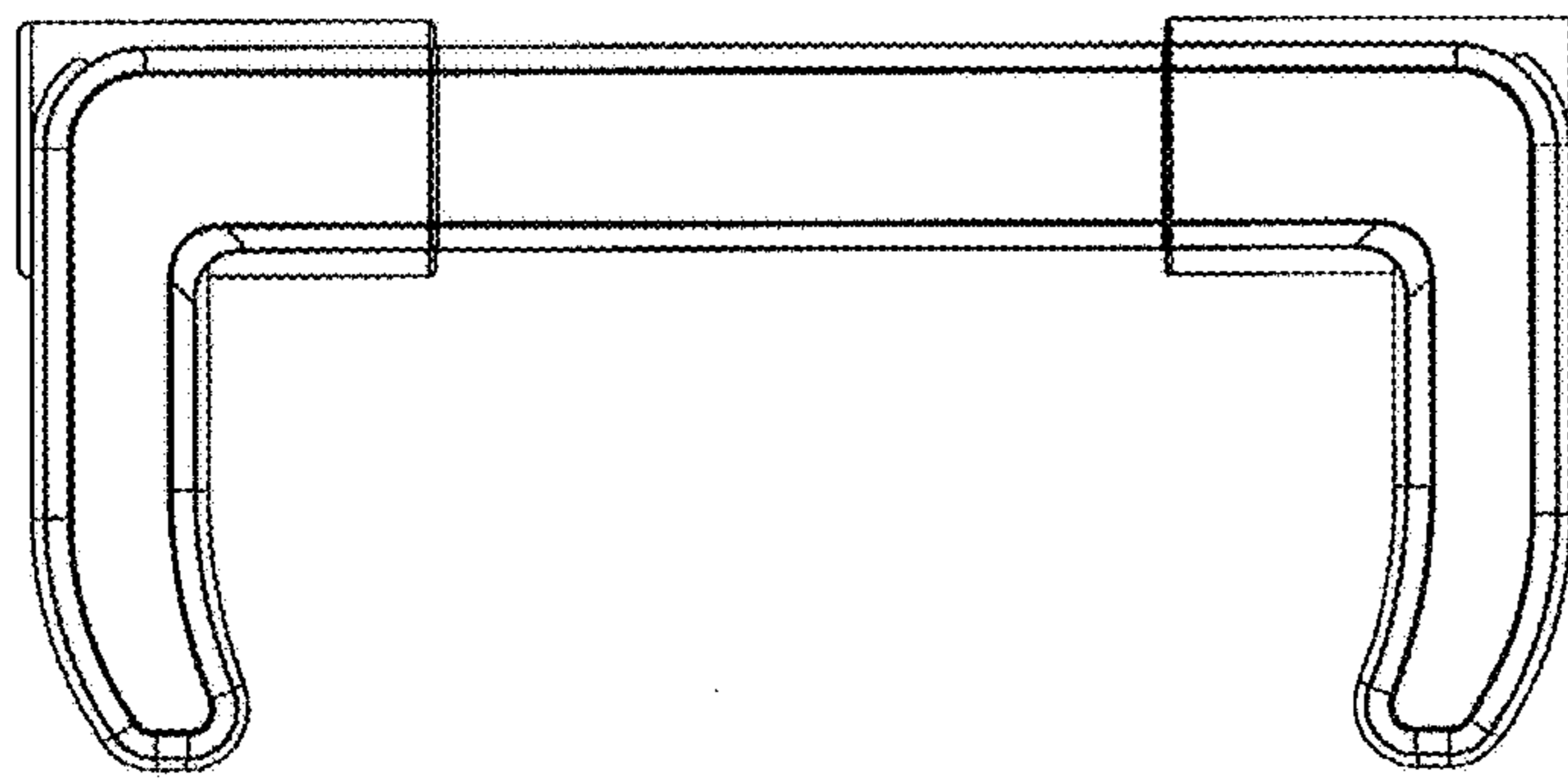


Fig. 2

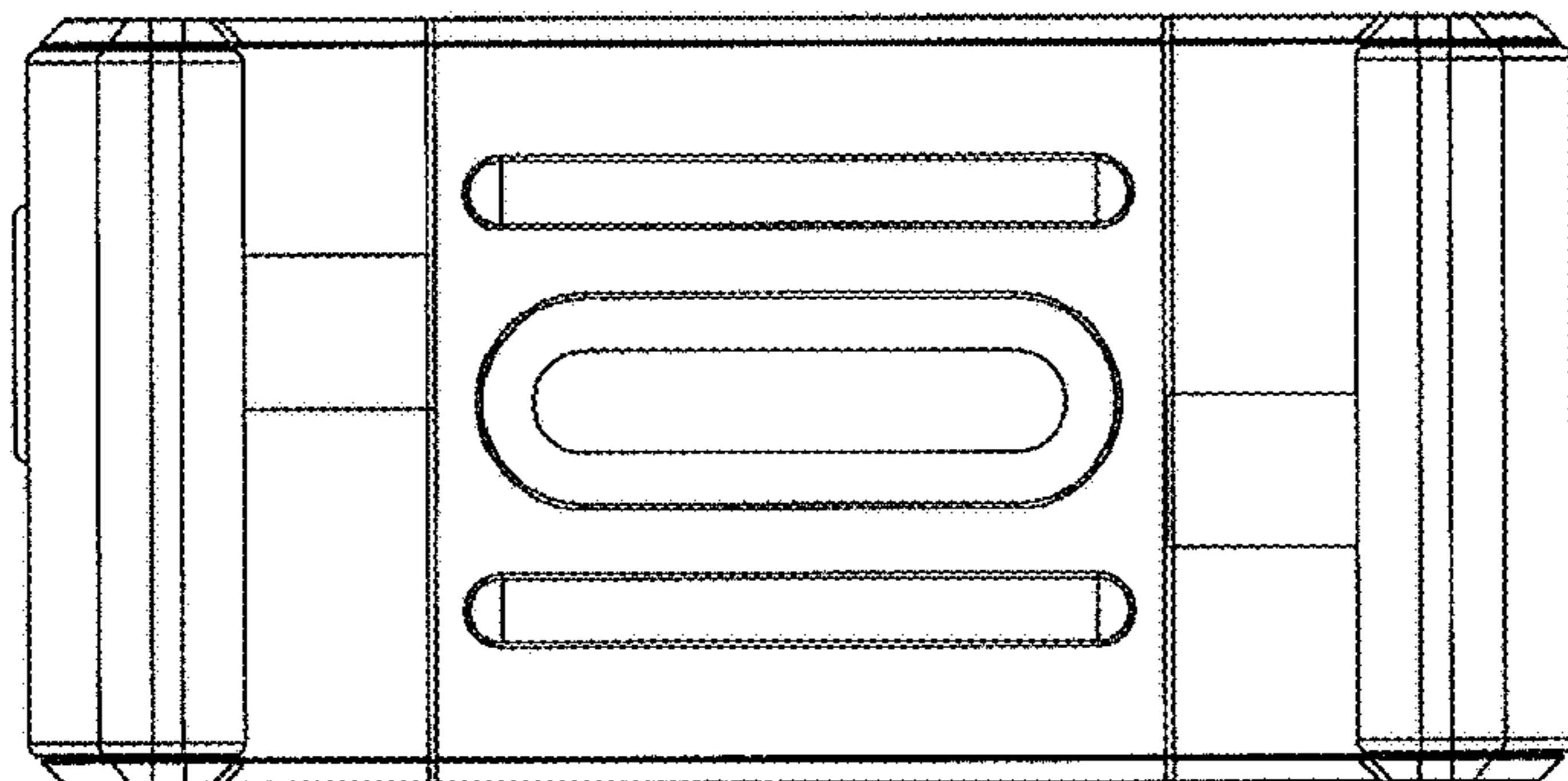


Fig. 3

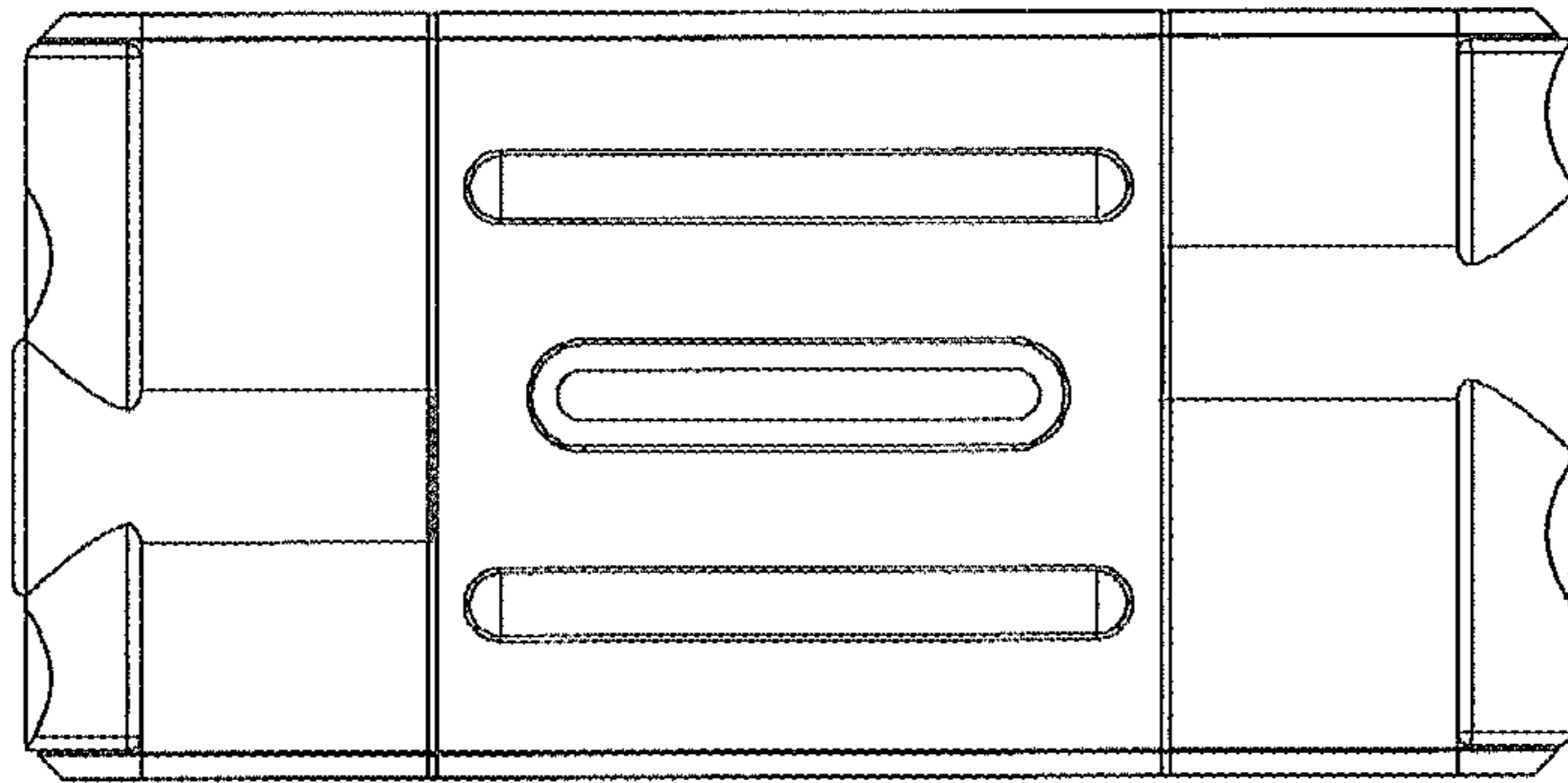


Fig. 4

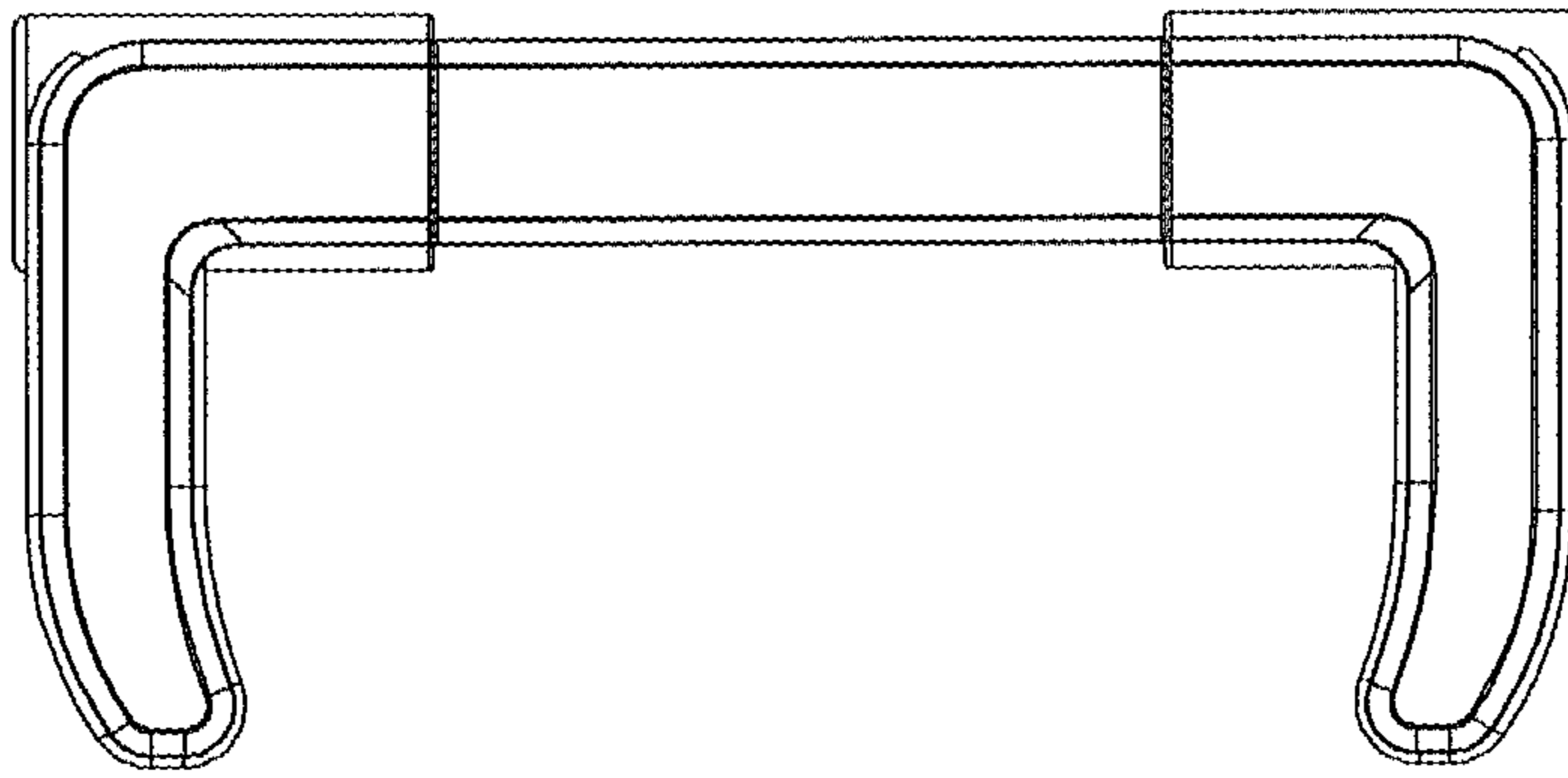


Fig. 5

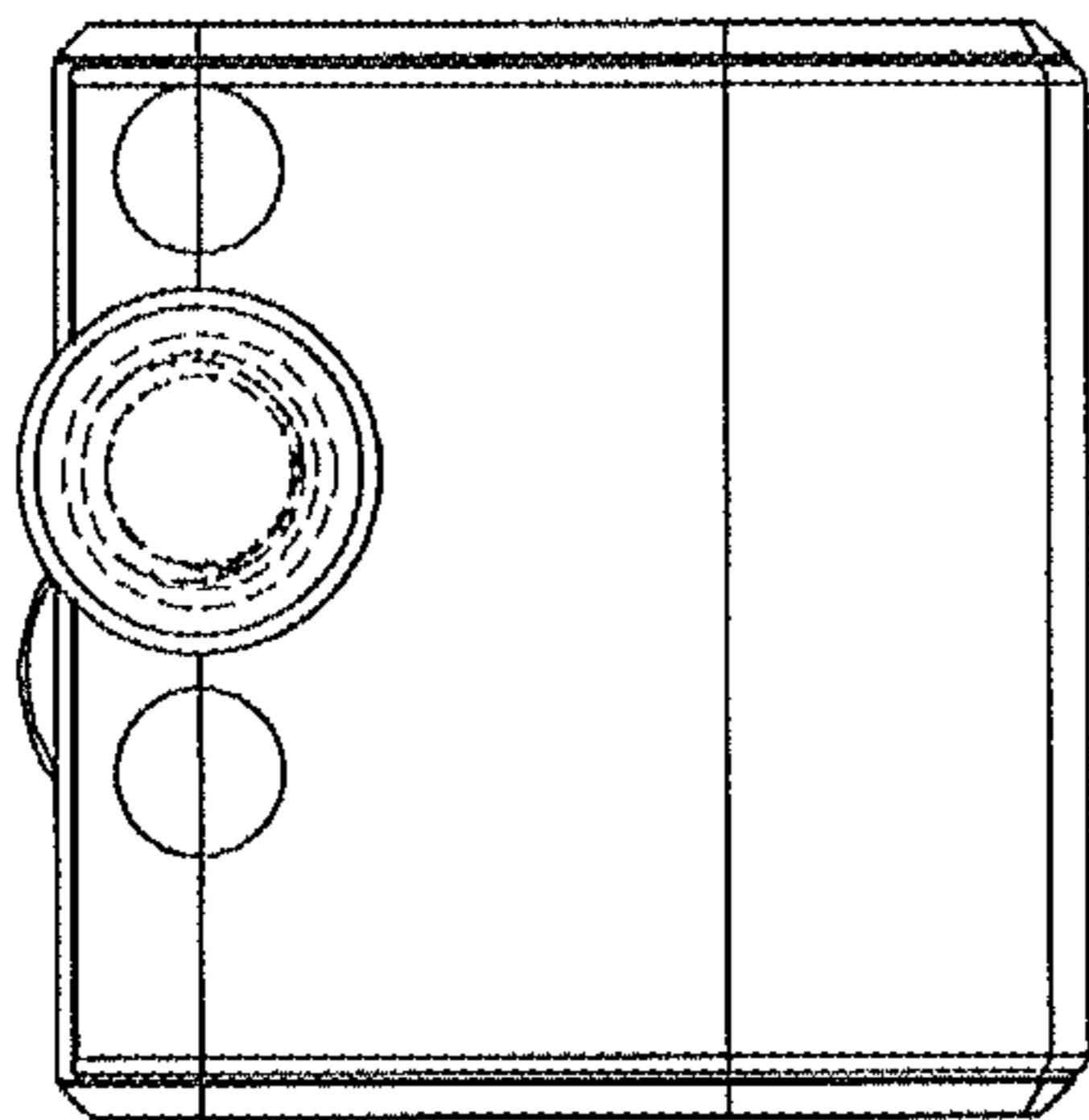


Fig. 6

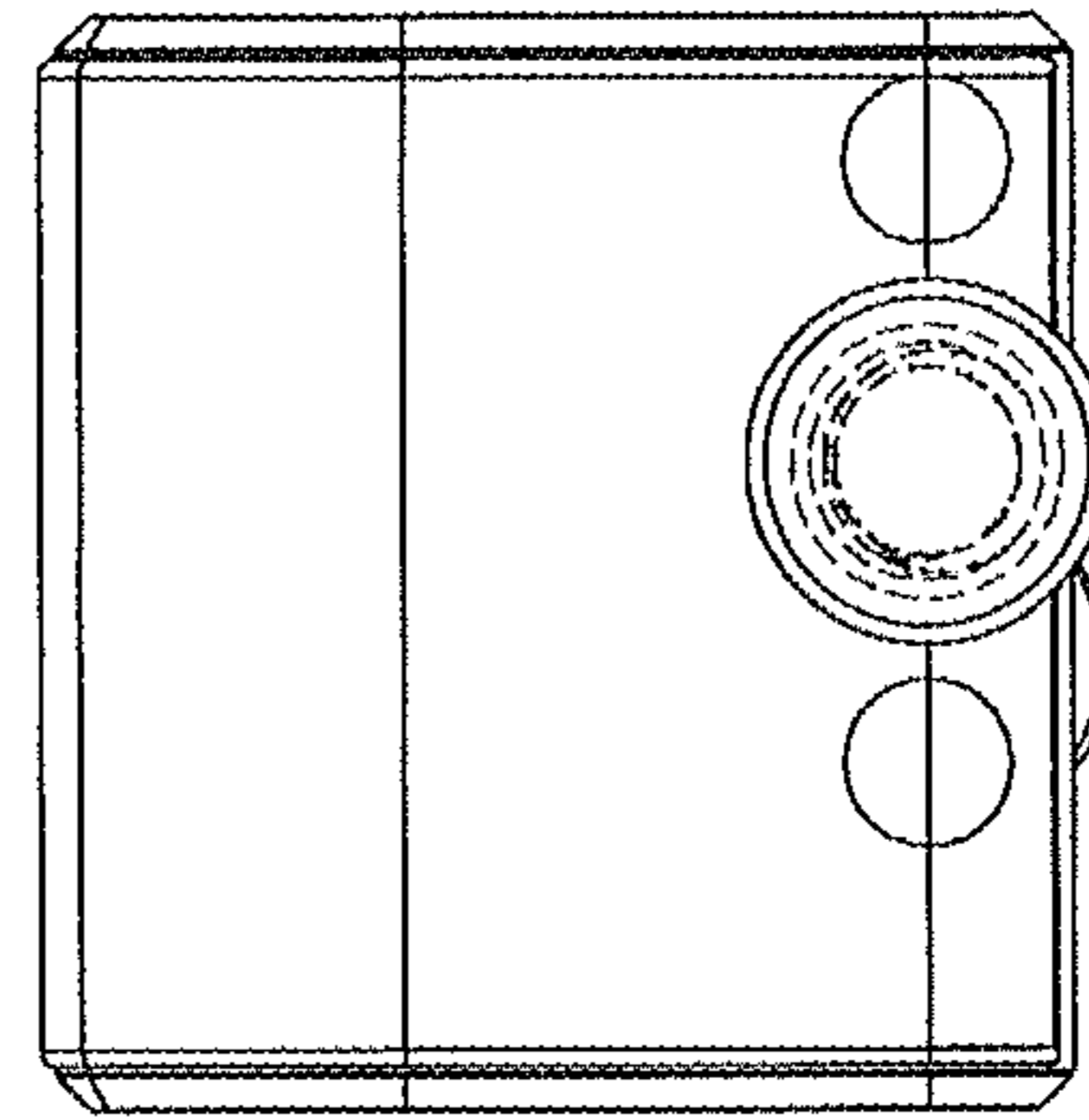


Fig. 7

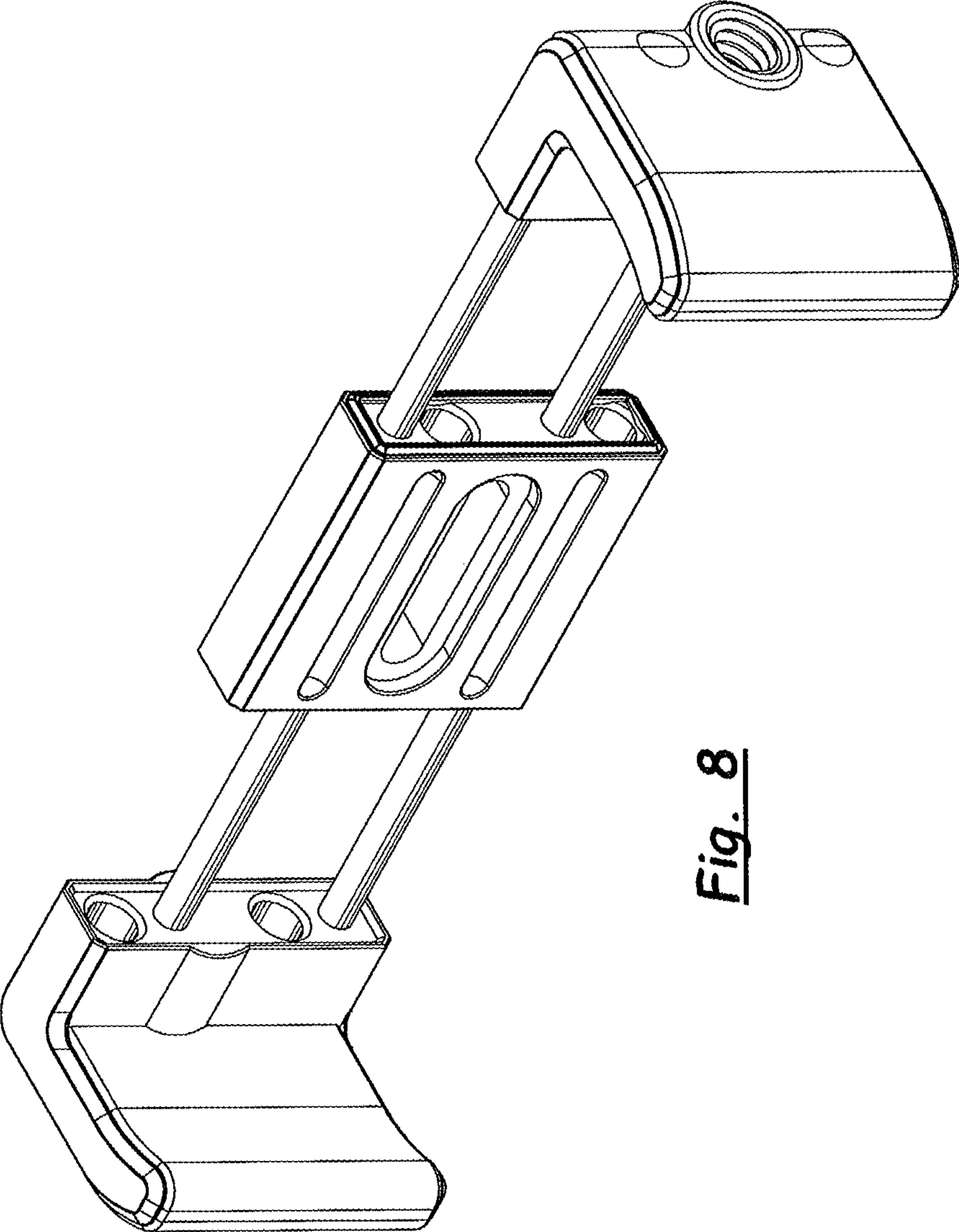


Fig. 8

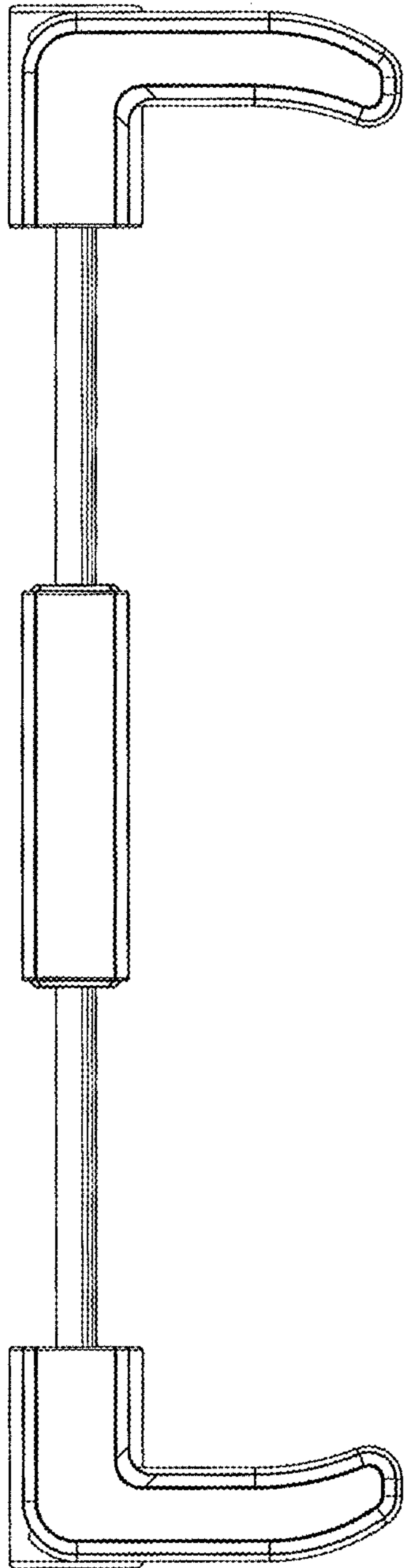


Fig. 9

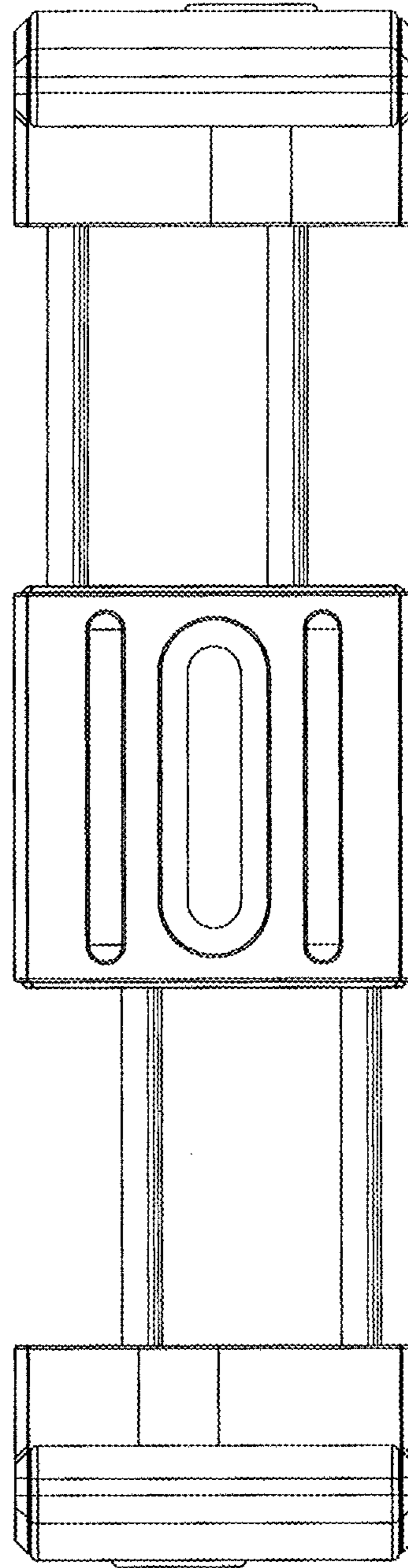


Fig. 10