



US00D826021S

(12) **United States Design Patent**
Tinius

(10) **Patent No.:** **US D826,021 S**

(45) **Date of Patent:** **** Aug. 21, 2018**

(54) **CHAIN SAW**

(71) Applicant: **Andreas Stihl AG & Co. KG,**
Waiblingen (DE)

(72) Inventor: **Michael Tinius,** Ulm (DE)

(73) Assignee: **Andreas Stihl AG & Co., KG,**
Waiblingen (DE)

(**) Term: **15 Years**

(21) Appl. No.: **29/571,500**

(22) Filed: **Jul. 19, 2016**

(30) **Foreign Application Priority Data**

Feb. 15, 2016 (EM) 002986414-0006

(51) **LOC (11) Cl.** **08-03**

(52) **U.S. Cl.**
USPC **D8/65**

(58) **Field of Classification Search**
USPC D8/1, 7, 8, 9, 499, 61, 64, 65, 69;
D15/1, 17
CPC B27B 17/00; B27B 17/08; B27B 17/0008;
A01D 34/01; A01D 34/416; A01D
34/4161; A01D 34/84; A01D 34/90;
A01G 3/06; A01G 3/053; A01G 3/0535;
A01G 3/062

See application file for complete search history.

(56) **References Cited**

U.S. PATENT DOCUMENTS

D216,384 S 12/1969 George
3,583,106 A 6/1971 Dobbertin
3,620,269 A 11/1971 Lange et al.
3,680,608 A 8/1972 Emmerich et al.
3,733,700 A 5/1973 Notaras et al.
3,845,827 A 11/1974 Schulin
D237,352 S 10/1975 Shymkus

4,178,685 A 12/1979 Inaga
4,188,935 A 2/1980 Tubesing
4,197,640 A 4/1980 Murray
D255,770 S 7/1980 Asamoto
D256,584 S 8/1980 Tuggle et al.
D273,456 S 4/1984 McDougall et al.
4,534,005 A 8/1985 Nagashima et al.
4,602,656 A 7/1986 Nagashima et al.
4,630,372 A 12/1986 Nagashima
4,654,970 A 4/1987 Nagashima
4,662,071 A 8/1987 Hoppner et al.
4,683,660 A 9/1987 Schurr
4,693,006 A 9/1987 Wehle
H378 H 12/1987 Matsumoto
D295,713 S 5/1988 Nagashima et al.
4,753,012 A 6/1988 Schurr
4,809,438 A 3/1989 Nagashima et al.
4,819,332 A 4/1989 Sugihara et al.
D303,207 S 9/1989 Narakima

(Continued)

Primary Examiner — Sandra S Snapp

Assistant Examiner — Ieisha N Price

(74) *Attorney, Agent, or Firm* — McGuireWoods LLP

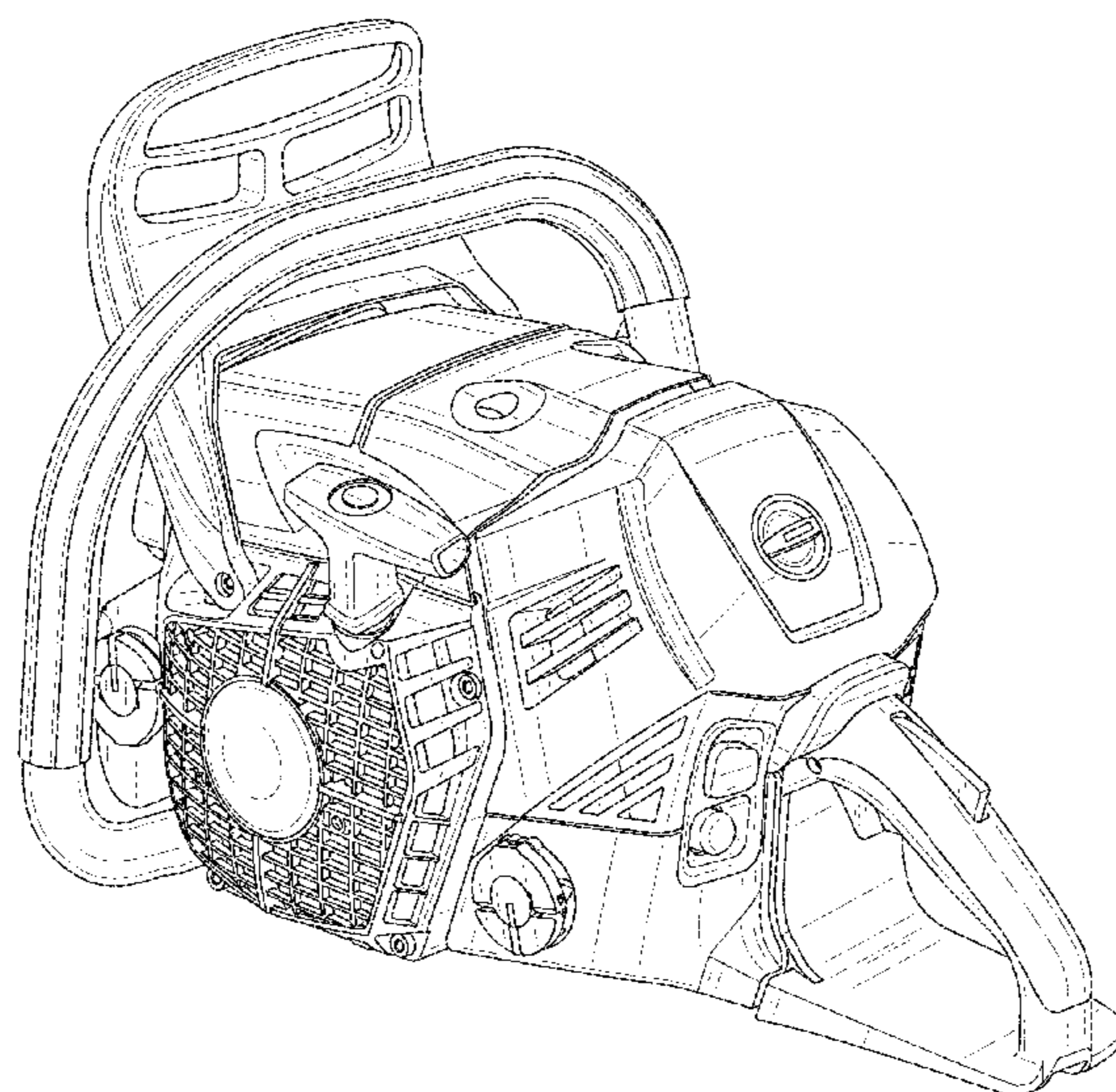
(57) **CLAIM**

I claim the ornamental design for a chain saw, as shown and described.

DESCRIPTION

FIG. 1 is a right perspective view of the chain saw;
FIG. 2 is a front view of the chain saw shown in FIG. 1;
FIG. 3 is a rear view of the chain saw shown in FIG. 1;
FIG. 4 is a left view of the chain saw shown in FIG. 1;
FIG. 5 is a right side view of the chain saw shown in FIG. 1;
FIG. 6 is a top side view of the chain saw shown in FIG. 1;
and,
FIG. 7 is a bottom view of the chain saw shown in FIG. 1.
The broken lines in the drawings illustrate portions of the chain saw and form no part of the claimed design.

1 Claim, 7 Drawing Sheets



(56)

References Cited

U.S. PATENT DOCUMENTS

4,939,842 A	7/1990	Rebhan	D633,353 S	3/2011	Tinius
5,029,393 A	7/1991	Nagashima et al.	D633,766 S	3/2011	Tinius
5,038,474 A	8/1991	Larsson et al.	D636,652 S	4/2011	Mehra
D320,728 S	10/1991	Arvidsson	D640,110 S	6/2011	Tinius
5,070,618 A	12/1991	Edlund	D640,111 S	6/2011	Tinius
D325,330 S	4/1992	Barnhill	D641,603 S	7/2011	Tinius
5,212,886 A	5/1993	Tasaki	D645,315 S	9/2011	Tinius
5,233,750 A	8/1993	Wolf et al.	D647,773 S	11/2011	Sugishita et al.
D361,251 S	8/1995	Griffin	D649,852 S	12/2011	Tinius
D364,326 S	11/1995	Lohse et al.	D649,853 S	12/2011	Tinius
D365,262 S	12/1995	Beaulieu et al.	D651,061 S	12/2011	Tinius
5,485,814 A	1/1996	Tuggle	D651,497 S	1/2012	Worsnop
5,570,512 A	11/1996	Hoppner	D658,959 S	5/2012	Landberg
D377,441 S	1/1997	Hoppner et al.	D658,960 S	5/2012	Landberg
D378,184 S	2/1997	Naslund et al.	D662,801 S	7/2012	Tinius
D385,766 S	11/1997	Kondo et al.	D663,182 S	7/2012	Schoening et al.
D386,958 S	12/1997	Karlsson et al.	D663,599 S	7/2012	Tinius
5,826,478 A	10/1998	Zerrer	D668,923 S	10/2012	Tinius
5,855,067 A	1/1999	Taomo et al.	D669,329 S	10/2012	Tinius
D408,247 S	4/1999	Juratovac et al.	D670,144 S	11/2012	Tinius
D412,652 S	8/1999	Durr et al.	D681,412 S	5/2013	Ortlund et al.
5,992,025 A	11/1999	Fricke	D690,570 S	10/2013	Tinius
6,016,604 A	1/2000	Wolf et al.	D701,102 S	3/2014	Itoh et al.
D445,657 S	7/2001	Jong	D702,098 S	4/2014	Landberg
6,374,501 B1	4/2002	Claesson	D707,094 S	6/2014	Carl
D466,957 S	12/2002	Visnick	D711,700 S	8/2014	Mehra
6,546,631 B2	4/2003	Lida et al.	D711,716 S	8/2014	Tinius
6,591,826 B1	7/2003	Donnerdal	D725,452 S	3/2015	Carl
6,637,117 B2	10/2003	Kobayashi	D729,027 S	5/2015	Tinius
D481,601 S	11/2003	Ashfield	D731,868 S	6/2015	Tinius
D505,602 S	5/2005	Houghton	D737,646 S	9/2015	Tinius
6,955,152 B2	10/2005	Uhi et al.	D738,175 S	9/2015	Tinius
6,973,726 B2	12/2005	Kramer	9,138,884 B2 *	9/2015	Heinzelmann B25F 5/008
D530,175 S	10/2006	Arvidsson et al.	D741,678 S	10/2015	Tinius
7,137,877 B2	11/2006	Uhl et al.	D744,308 S	12/2015	Tinius
D530,757 S	12/2006	Arvidsson et al.	D763,051 S *	8/2016	Tinius D8/65
7,168,132 B2	1/2007	Durr et al.	2001/0003983 A1	6/2001	Lida et al.
D538,123 S	3/2007	Yates	2002/0073551 A1	6/2002	Goodwin
D545,157 S	6/2007	Fisher et al.	2002/0124421 A1	9/2002	Hermes et al.
D547,630 S	7/2007	Fisher et al.	2002/0129502 A1	9/2002	Durr et al.
D549,537 S	8/2007	Harada et al.	2003/0051351 A1	3/2003	Buchholtz et al.
D558,019 S	12/2007	Granberg et al.	2003/0088987 A1	5/2003	Jong
D558,020 S	12/2007	Karlsson et al.	2003/0167642 A1	9/2003	Chen
D561,551 S	2/2008	Tinius	2003/0188618 A1	10/2003	Menzel et al.
D563,747 S	3/2008	Tinius	2004/0016133 A1	1/2004	Gorenflo et al.
D573,860 S	7/2008	Shimokawa et al.	2004/0103857 A1	6/2004	Kruse
D574,207 S	8/2008	Arnesson et al.	2005/0055832 A1 *	3/2005	Jaensch B25F 5/02 30/123
D576,005 S	9/2008	Shimokawa et al.	2006/0137653 A1	6/2006	Amend et al.
D577,557 S	9/2008	Shimokawa et al.	2006/0230900 A1	10/2006	Bergquisto
D579,742 S	11/2008	Arvidsson et al.	2006/0254557 A1	11/2006	Hamisch et al.
D580,724 S	11/2008	Tinius	2008/0196687 A1	8/2008	Kohler et al.
D596,912 S	7/2009	Arvidsson et al.	2012/0102765 A1	5/2012	Andersson et al.
D606,829 S	12/2009	Tinius	2013/0091715 A1	4/2013	Zimmermann et al.
D607,292 S	1/2010	Tinius	2013/0180504 A1 *	7/2013	Nagamura B27B 17/00 123/445
D607,293 S	1/2010	Tinius	2014/0283665 A1	9/2014	Seigneur et al.
D609,070 S	2/2010	Tinius	2014/0290074 A1	10/2014	Takayanagi et al.
D615,836 S	5/2010	Kosugi et al.	2016/0221208 A1 *	8/2016	Wolf B27B 17/00
D623,487 S	9/2010	Tinius	2017/0203463 A1 *	7/2017	Towner B27B 17/083

* cited by examiner

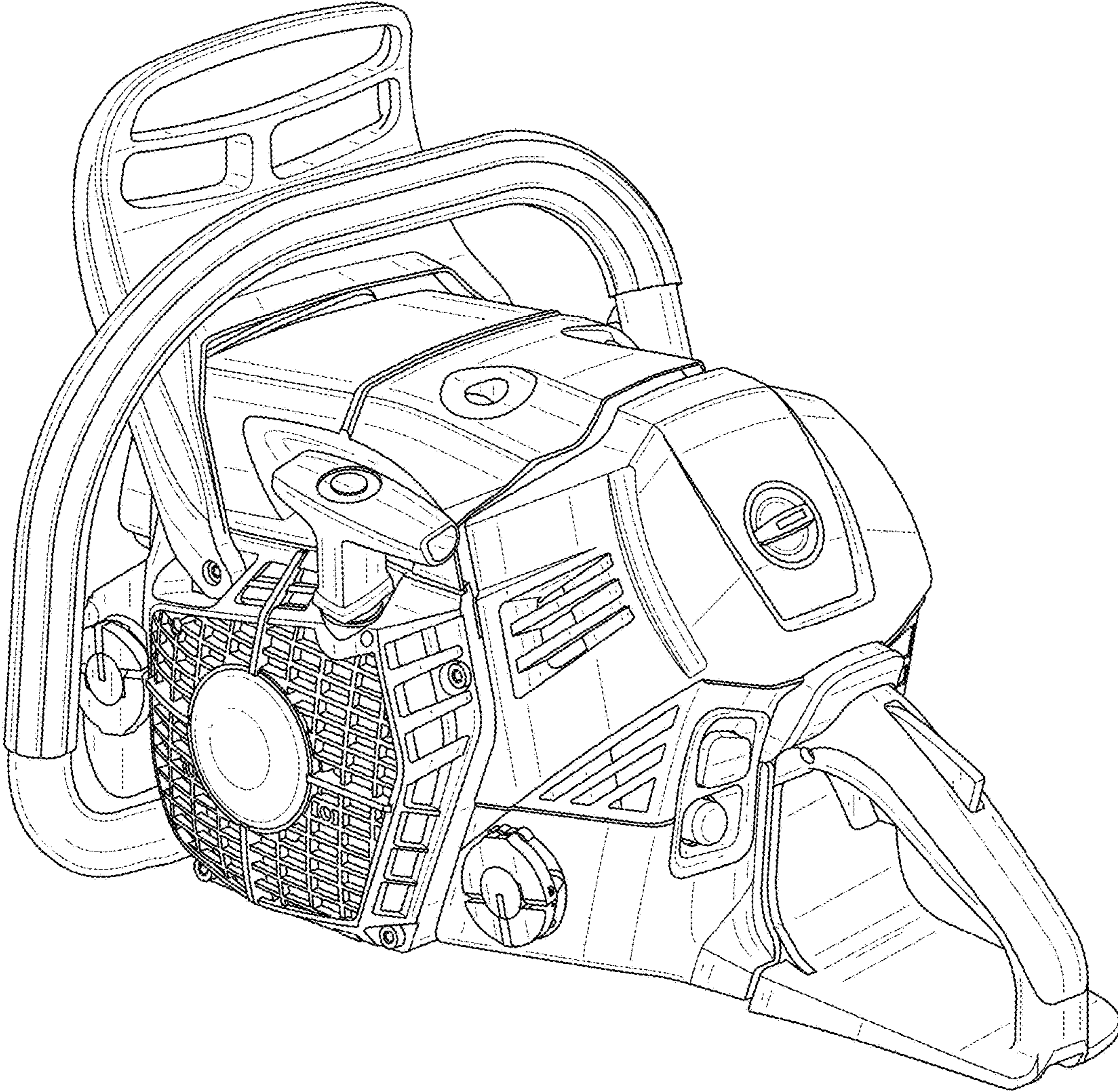


FIG. 1

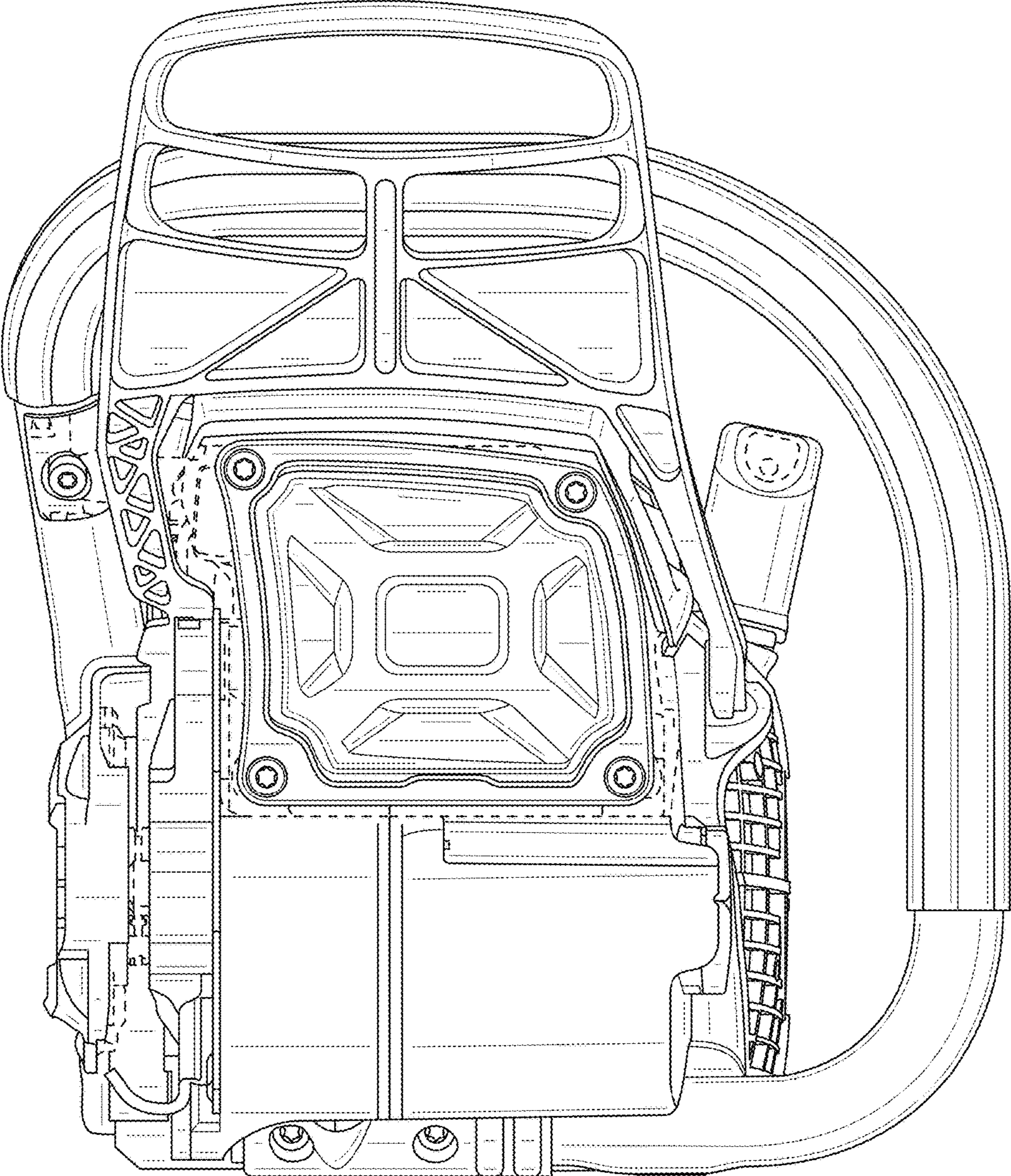


FIG. 2



FIG. 3

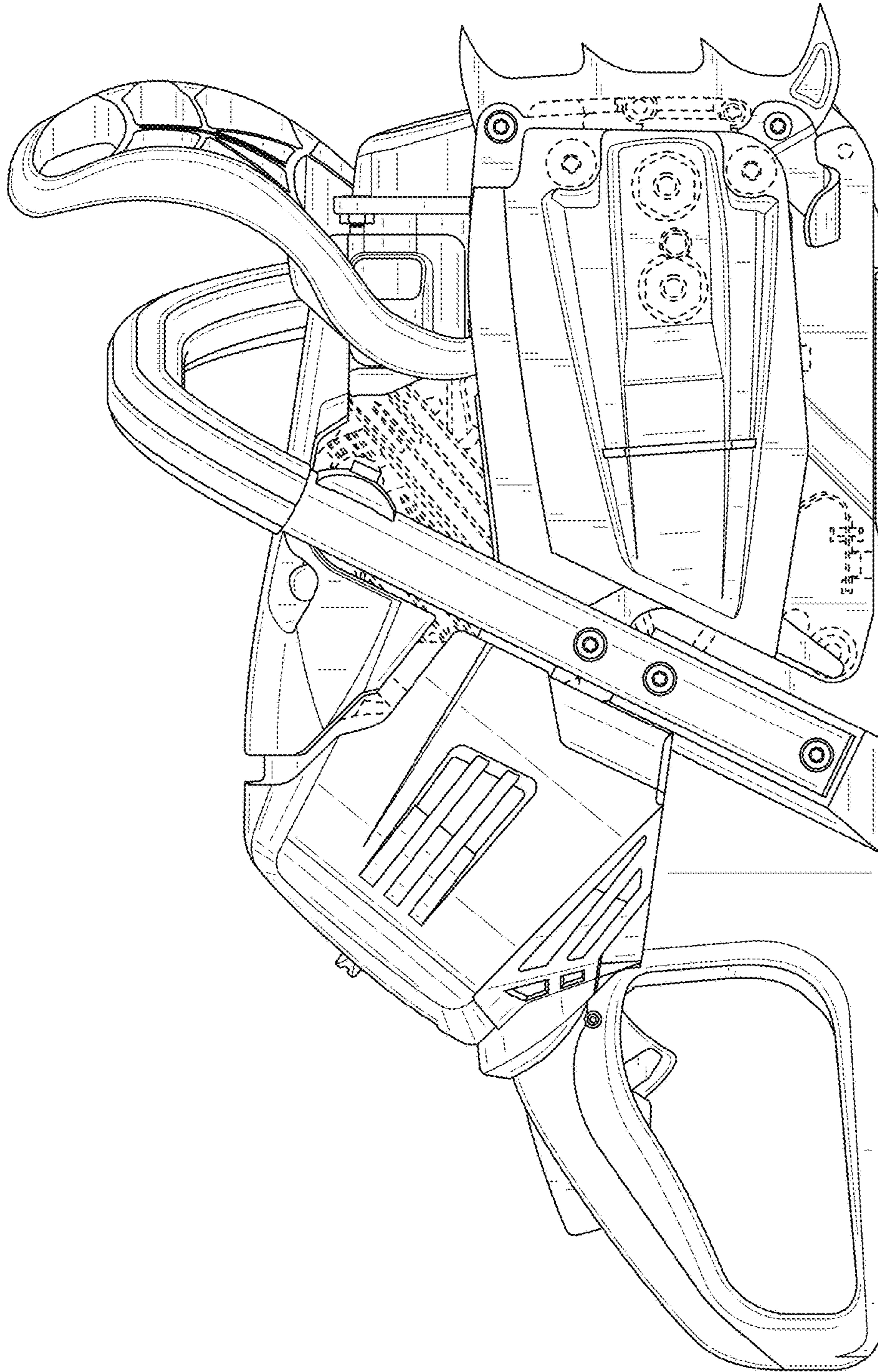


FIG. 4

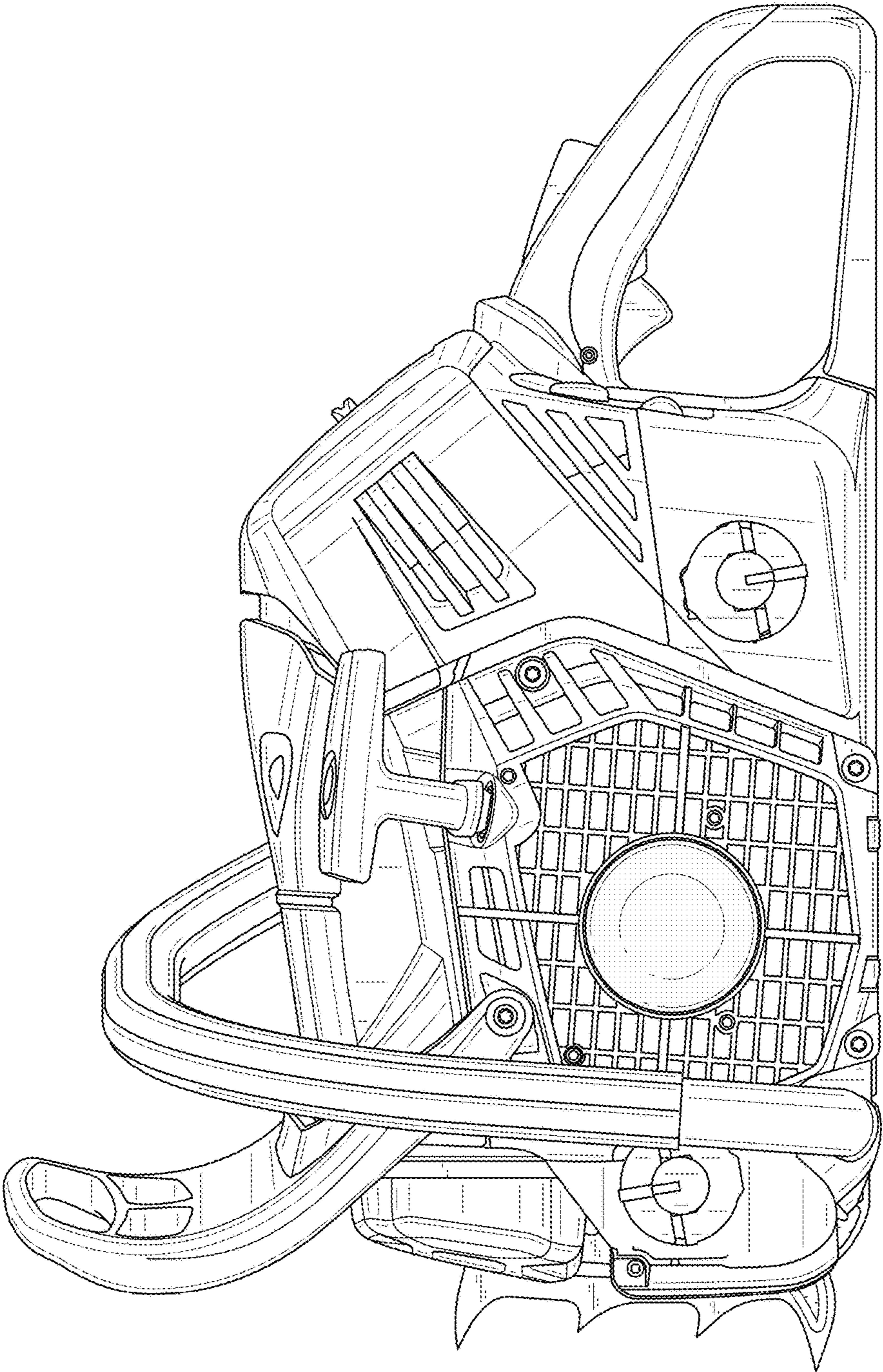


FIG. 5

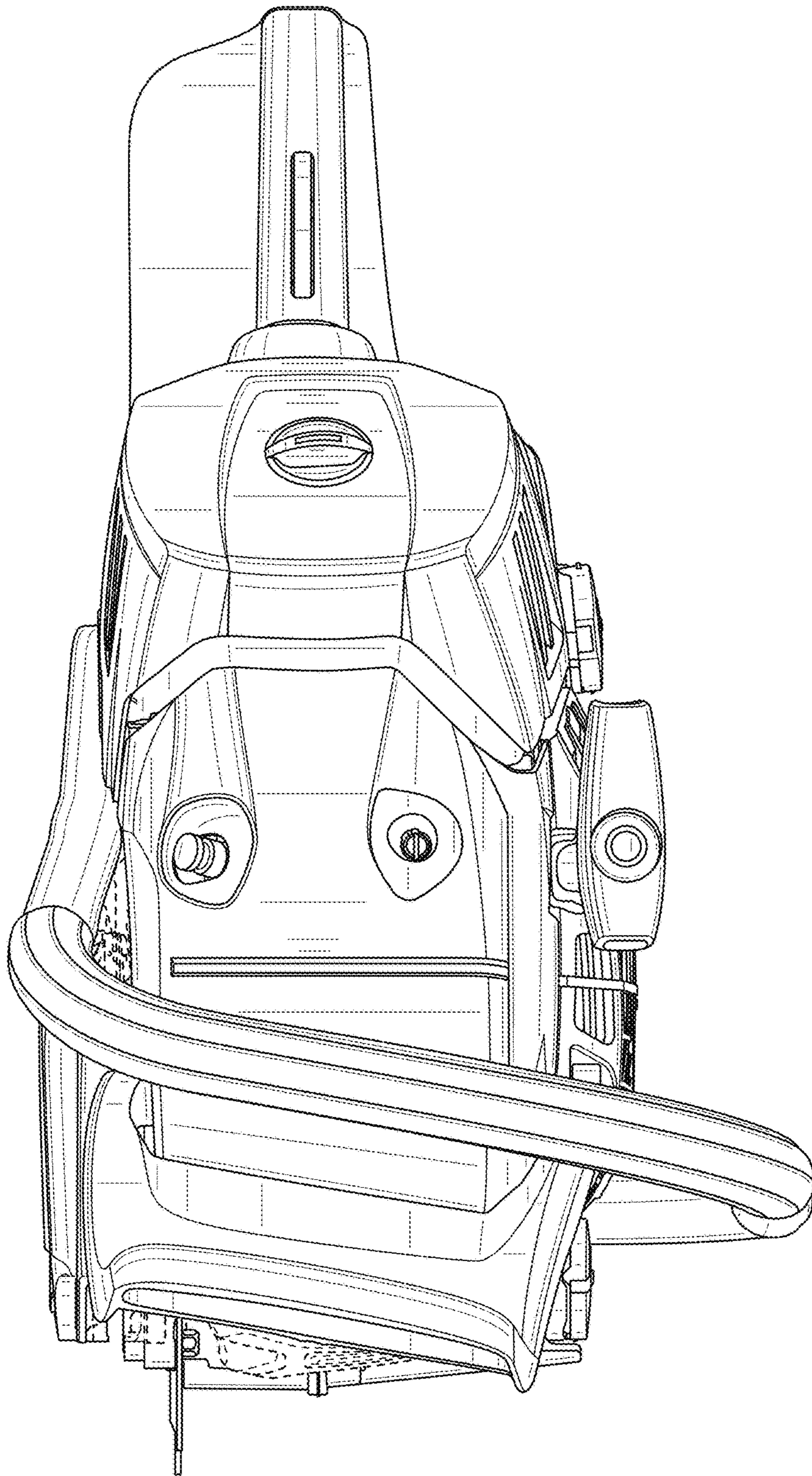


FIG. 6

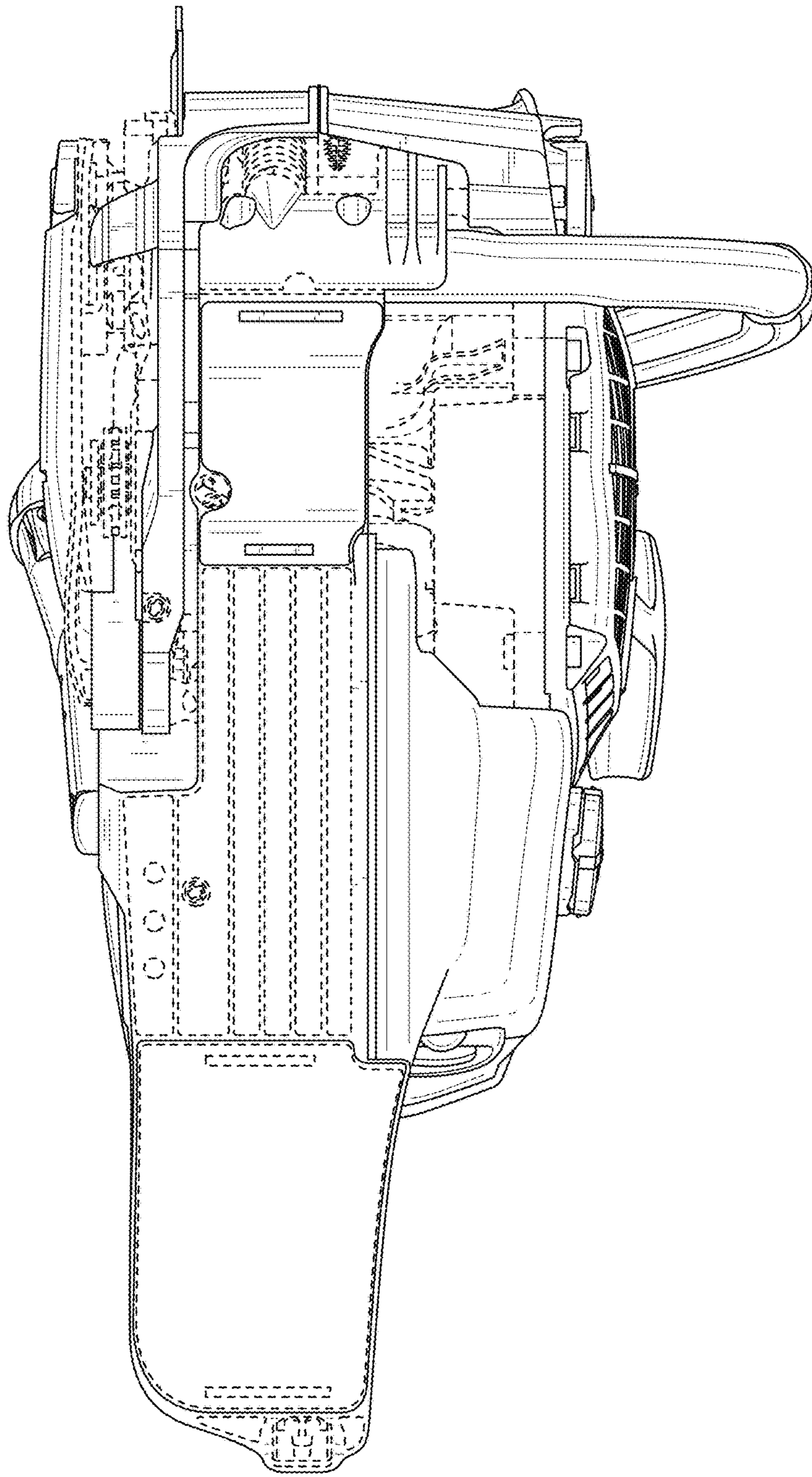


FIG. 7