



US00D826020S

(12) **United States Design Patent** (10) **Patent No.:** **US D826,020 S**
Johnson et al. (45) **Date of Patent:** **** Aug. 21, 2018**

(54) **HANDLE FOR A HYDRAULIC TORQUE WRENCH**

(71) Applicant: **Actuant Corporation**, Menomonee Falls, WI (US)

(72) Inventors: **Tyler Jeffrey Johnson**, Ripon, WI (US); **Niklas Linn Olson**, Antigo, WI (US); **Luke Wesley Waddingham**, Milwaukee, WI (US)

(73) Assignee: **Actuant Corporation**, Menomonee Falls, WI (US)

(**) Term: **15 Years**

(21) Appl. No.: **29/563,103**

(22) Filed: **May 2, 2016**

(51) **LOC (11) Cl.** **08-05**

(52) **U.S. Cl.**
USPC **D8/61**

(58) **Field of Classification Search**
USPC D8/24, 61, 62, 67, 68
CPC B25B 13/48; B25B 13/08; B25B 21/002; B25B 27/16; B25B 13/04; B25B 13/10; B25B 13/105; B25B 13/463; B25B 13/465; B25B 13/50; B25B 15/008; B25B 1/103; B25B 1/205; B25B 1/2473; B25B 21/00; B25B 21/004; B25B 23/00; B25B 23/005; B25B 23/0085; B25B 23/10; B25B 27/0035; B25B 27/023

See application file for complete search history.

(56) **References Cited**

U.S. PATENT DOCUMENTS

D465,394 S *	11/2002	Junkers	D8/61
D491,436 S *	6/2004	Junkers	D8/61
6,912,933 B2 *	7/2005	Knopp	B23D 29/005 81/57.39
D724,403 S *	3/2015	Spirer	D8/61
D730,135 S *	5/2015	Spirer	D8/61
D793,191 S *	8/2017	Palsson	D8/24

* cited by examiner

Primary Examiner — Ian Simmons

Assistant Examiner — Khawaja Anwar

(74) *Attorney, Agent, or Firm* — Michael Best & Friedrich LLP

(57) **CLAIM**

We claim the ornamental design for a handle for a hydraulic torque wrench, as shown and described.

DESCRIPTION

FIG. 1 is a perspective view of a handle for a device, such as a hydraulic torque wrench.

FIG. 2 is a front view of the handle of FIG. 1.

FIG. 3 is a rear view of the handle of FIG. 1.

FIG. 4 is a right side view of the handle of FIG. 1.

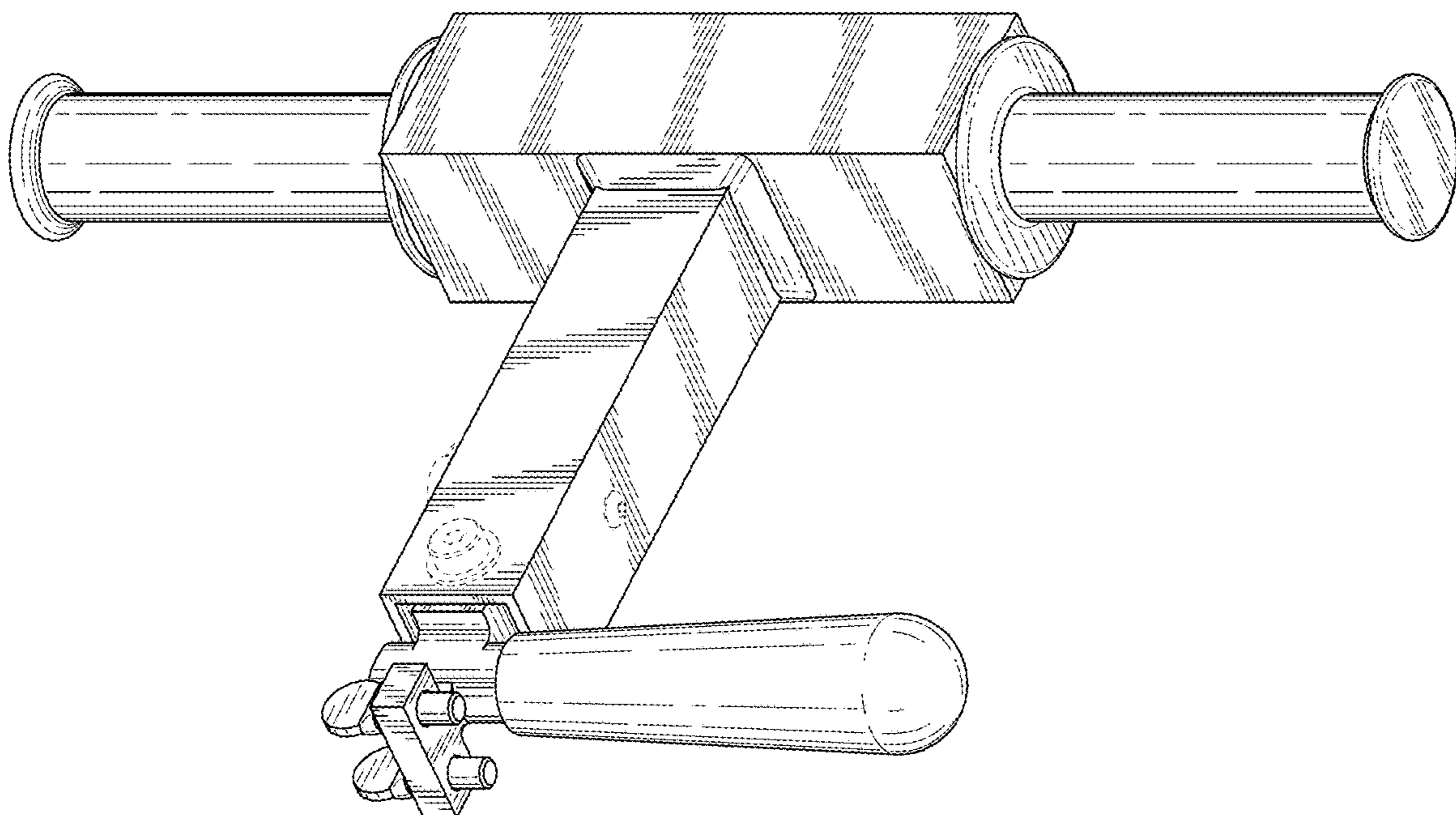
FIG. 5 is a left side view of the handle of FIG. 1.

FIG. 6 is a top view of the handle of FIG. 1; and,

FIG. 7 is a bottom view of the handle of FIG. 1.

The broken lines shown in the drawings represent portions of the article forming no part of the claimed design.

1 Claim, 6 Drawing Sheets



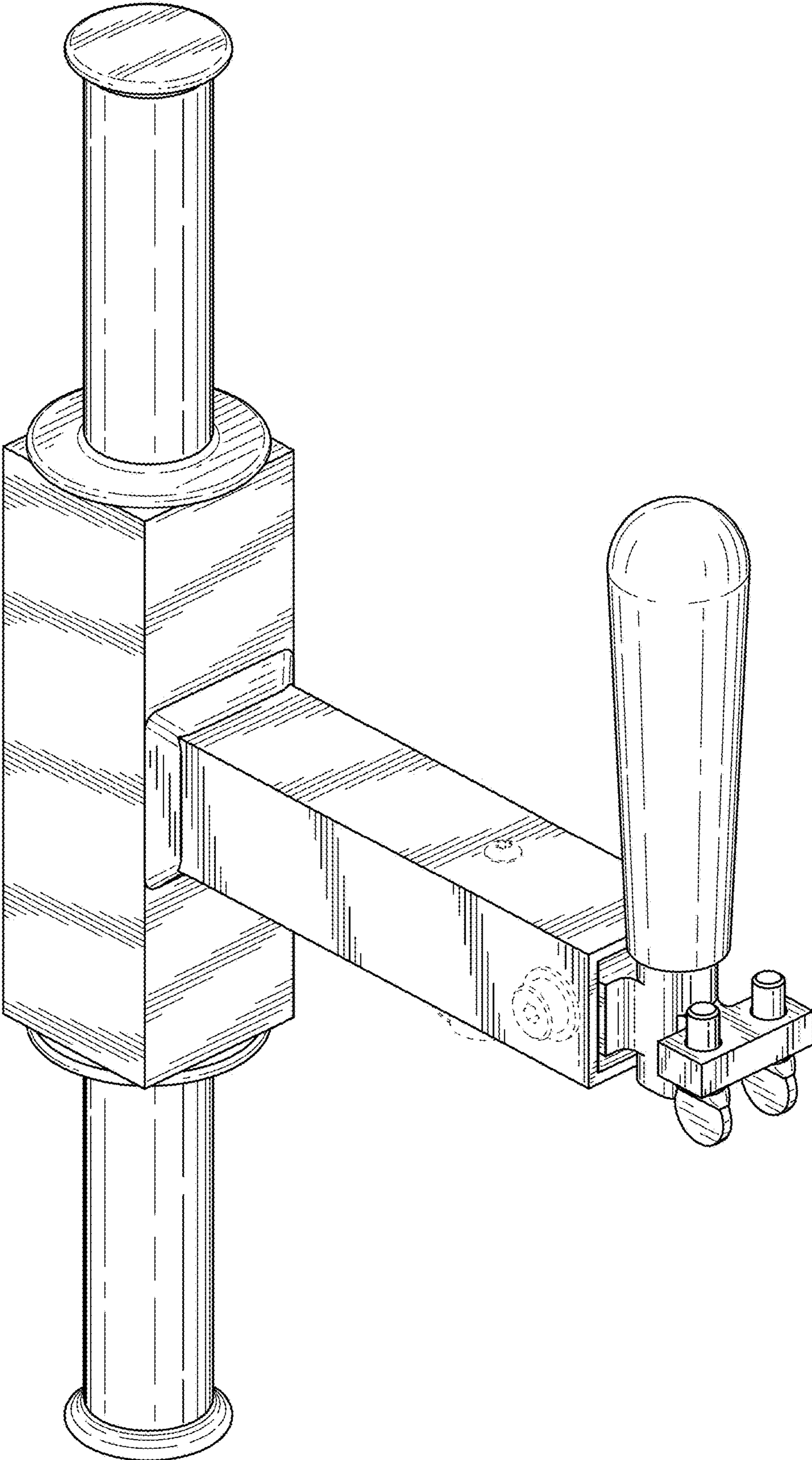


FIG. 1

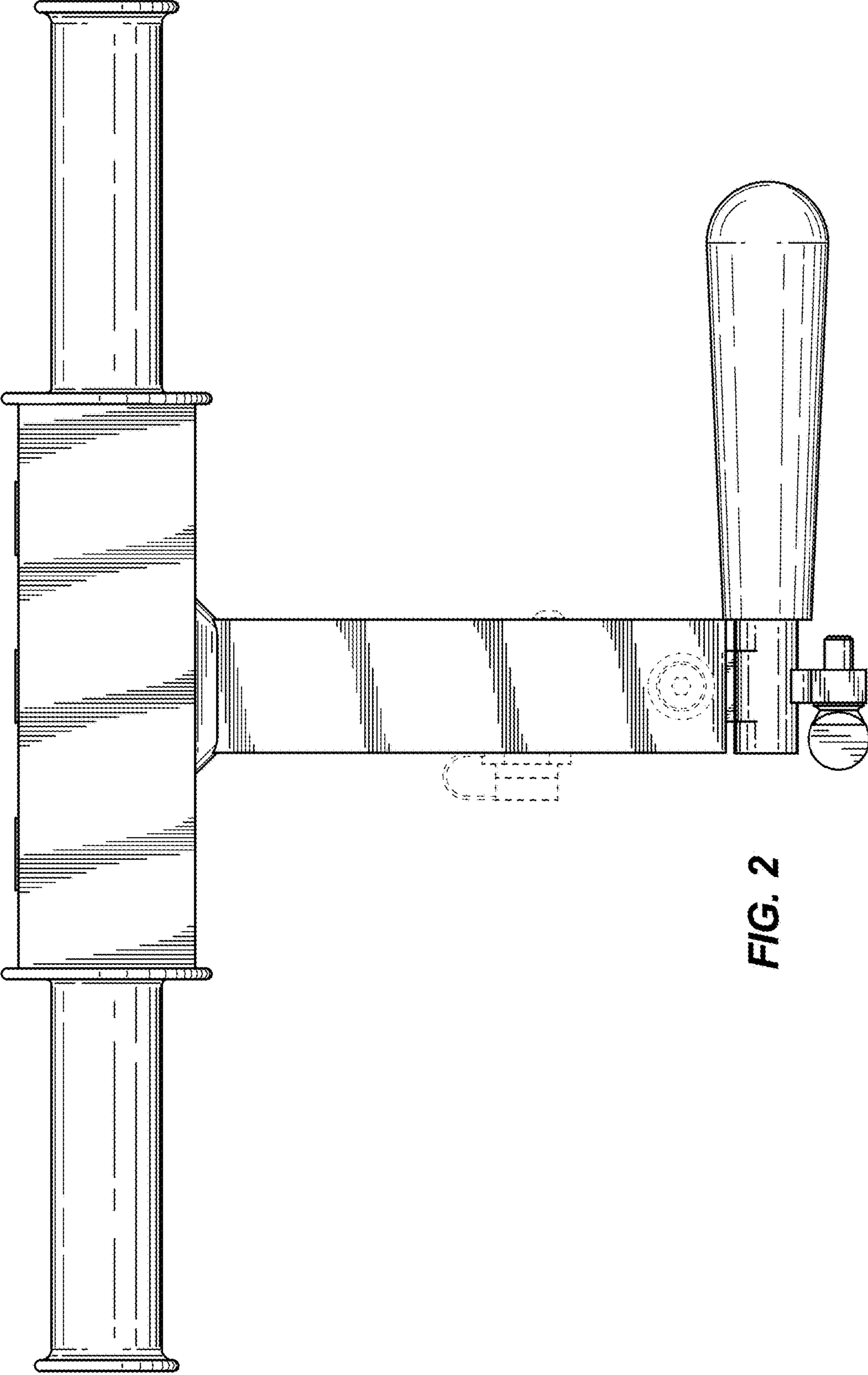
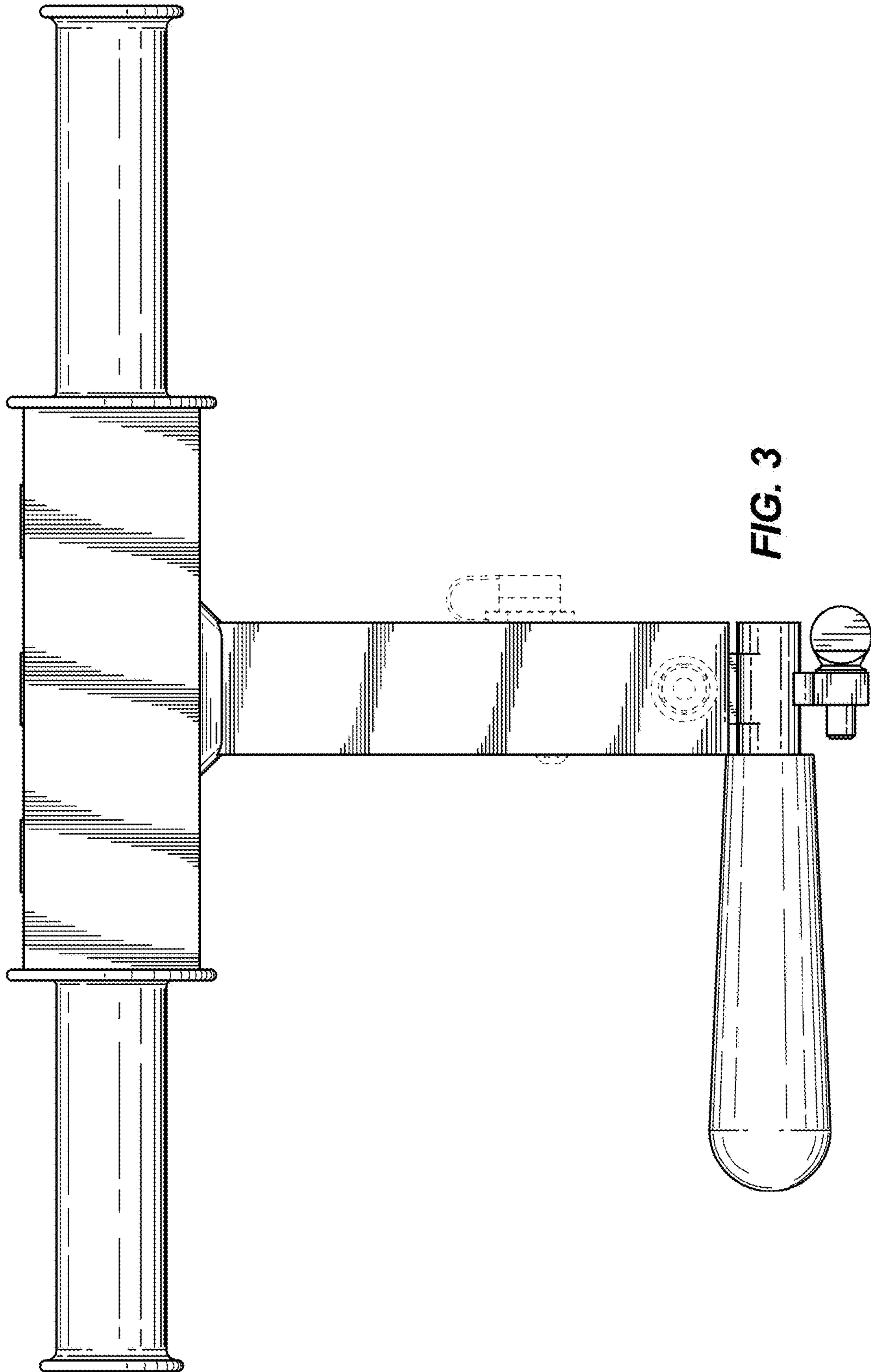


FIG. 2



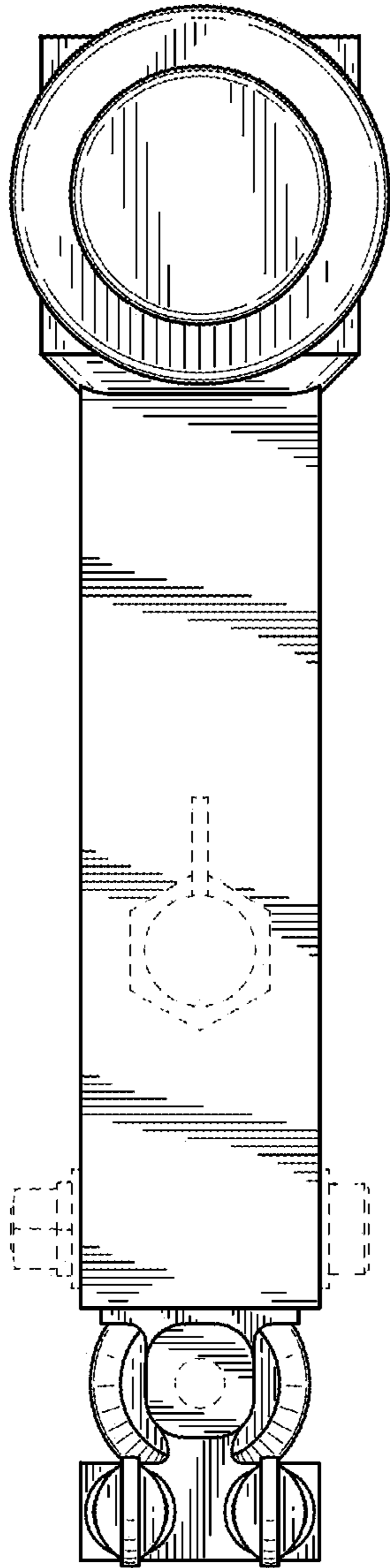


FIG. 4

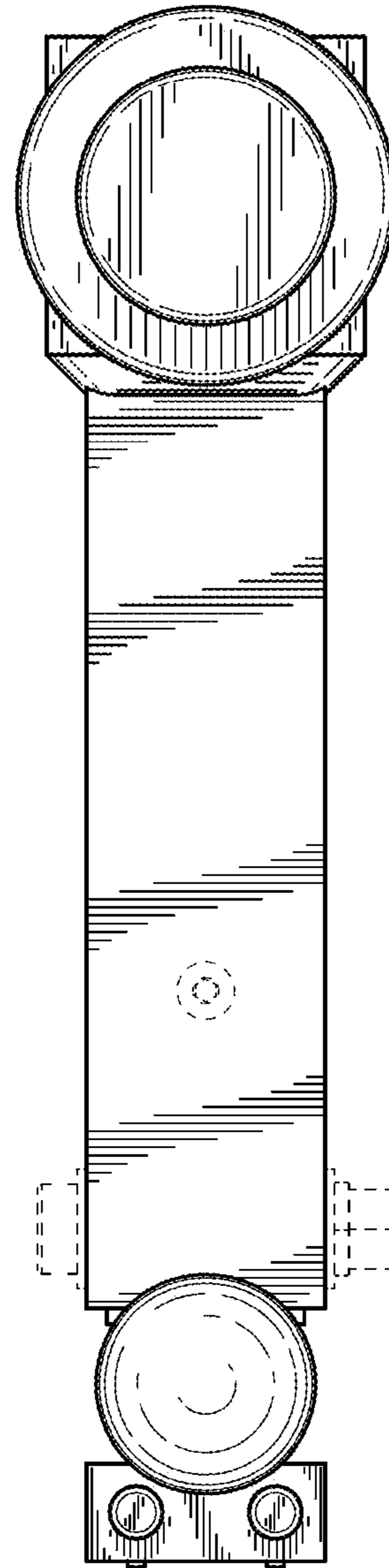


FIG. 5

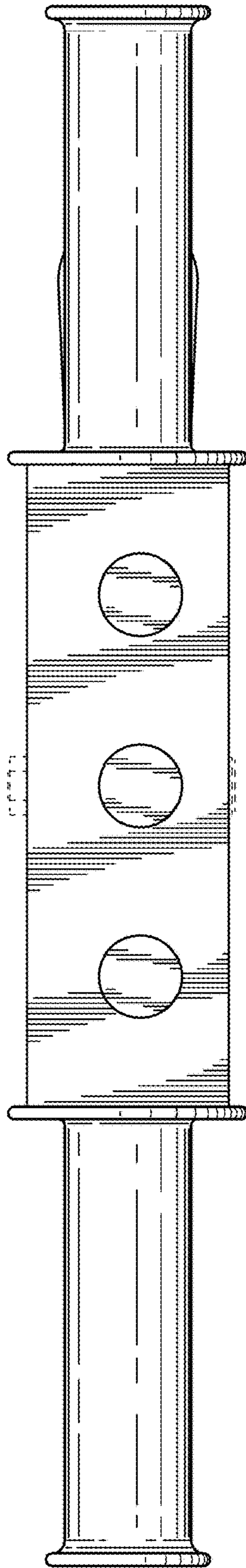


FIG. 6

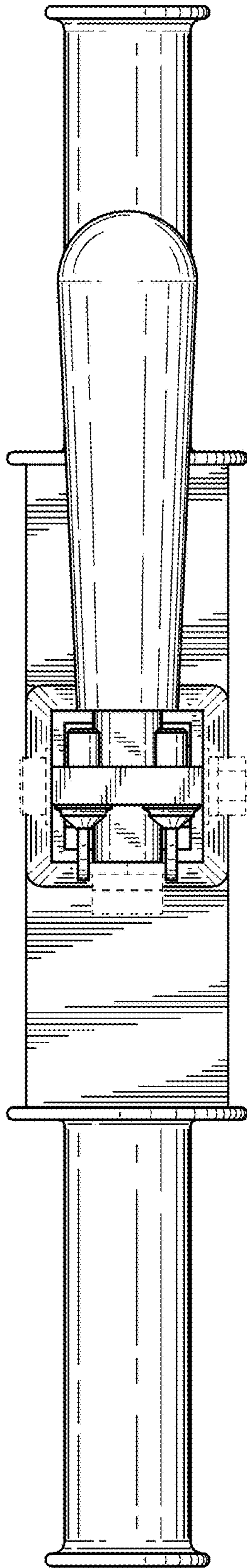


FIG. 7