



US00D826019S

(12) **United States Design Patent**  
**Keehner**

(10) **Patent No.:** **US D826,019 S**

(45) **Date of Patent:** **\*\* Aug. 21, 2018**

(54) **TOOL FOR SEALING A RESEALABLE ZIPPER LOCK BAG**

(71) Applicant: **David Keehner**, Ontario (CA)

(72) Inventor: **David Keehner**, Ontario (CA)

(\*\*) Term: **15 Years**

(21) Appl. No.: **29/588,446**

(22) Filed: **Dec. 20, 2016**

(30) **Foreign Application Priority Data**

Oct. 26, 2016 (CA) ..... 171176

(51) **LOC (11) Cl.** ..... **08-05**

(52) **U.S. Cl.**  
USPC ..... **D8/51**

(58) **Field of Classification Search**  
USPC ..... D8/4, 5, 14  
CPC ..... B25B 9/00; B25B 9/02; B29C 66/861;  
B29C 66/8614  
See application file for complete search history.

(56) **References Cited**

**U.S. PATENT DOCUMENTS**

2,558,367 A 6/1951 Madsen  
2,613,421 A 10/1952 Madsen  
2,637,085 A 5/1953 Madsen  
D194,049 S \* 11/1962 Harano ..... D28/55  
3,450,140 A \* 6/1969 Vail ..... A45D 19/02  
132/212  
D228,868 S \* 10/1973 Bush ..... D7/686  
3,827,472 A 8/1974 Uramoto

D271,305 S \* 11/1983 Kostiner ..... D16/250  
D324,278 S \* 2/1992 Agajan, Jr. .... D28/7  
D386,654 S \* 11/1997 Kosmyrna ..... D8/14  
D415,940 S \* 11/1999 Hollingsworth ..... D8/56  
D416,455 S \* 11/1999 Wai ..... D8/51  
D419,840 S \* 2/2000 Su ..... D8/52  
8,246,094 B2 \* 8/2012 Long ..... B25B 9/02  
294/99.2  
D774,857 S \* 12/2016 Pendock ..... D8/52  
2012/0186195 A1 7/2012 Moeller et al.  
2017/0197747 A1 \* 7/2017 Keehner ..... B65B 67/06

**OTHER PUBLICATIONS**

U.S. Appl. No. 15/397,403, filed Jan. 3, 2017, Keehner.

\* cited by examiner

*Primary Examiner* — Deanna L Pratt

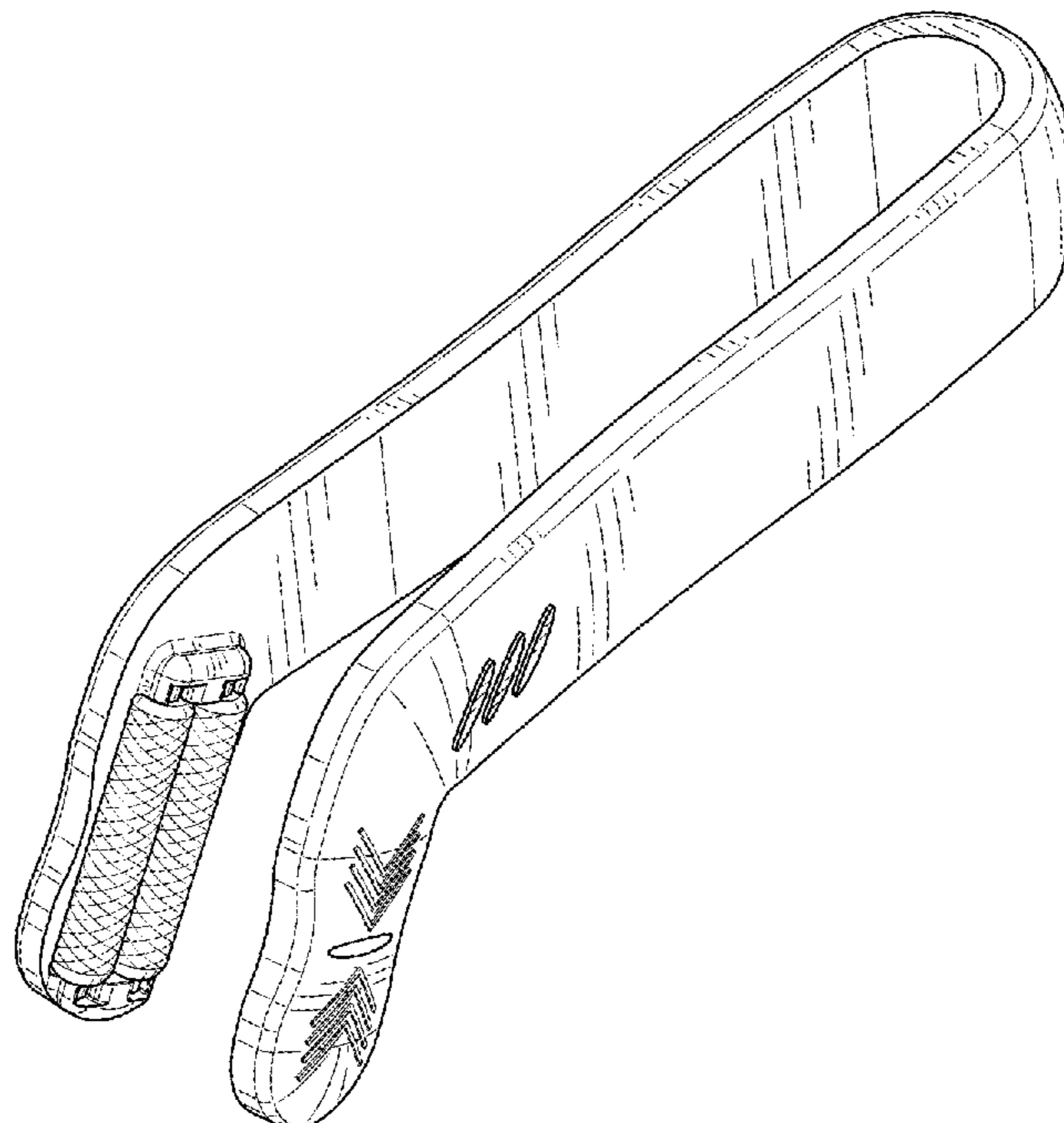
(57) **CLAIM**

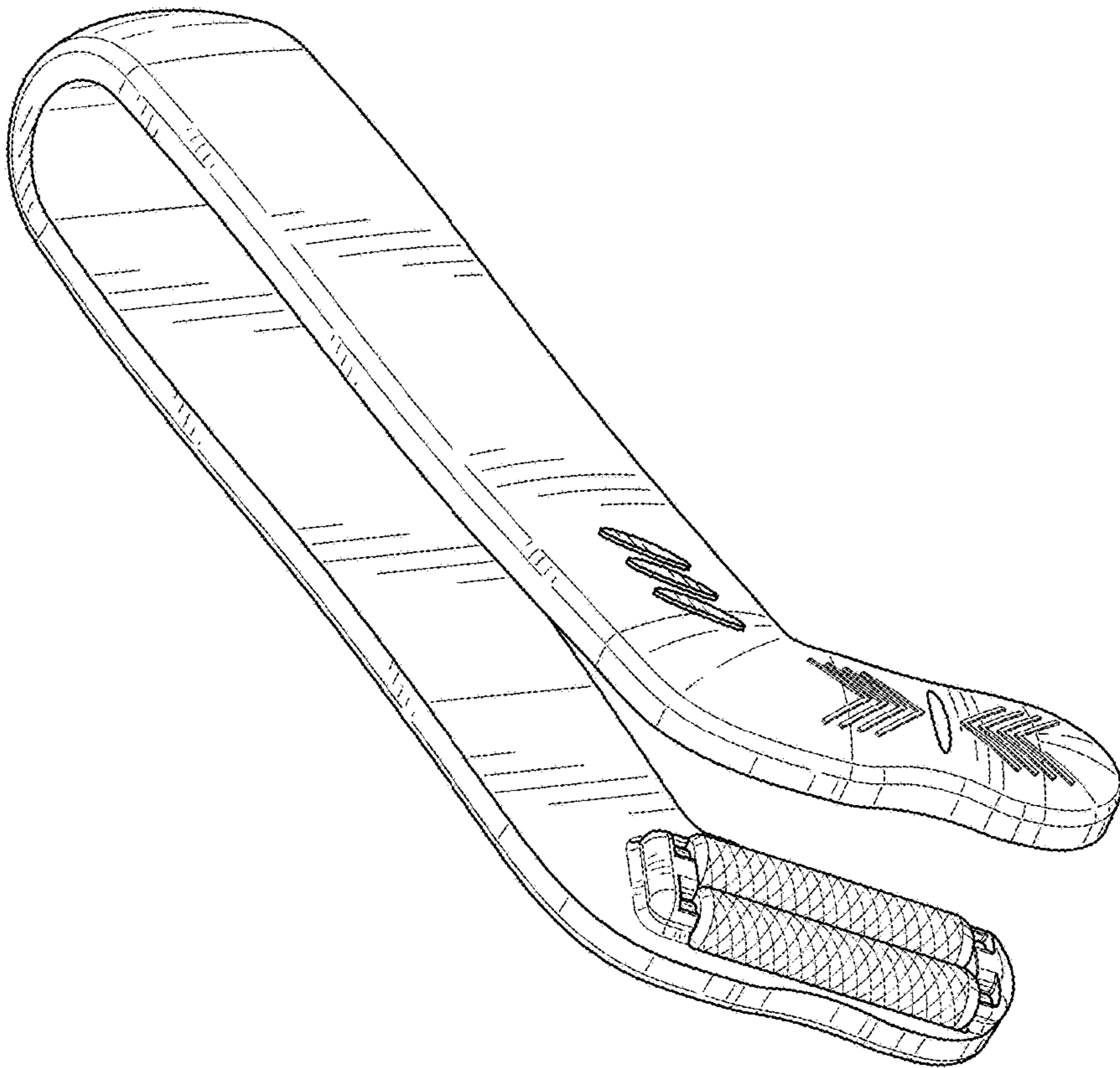
The ornamental design for a tool for sealing a resealable zipper lock bag, as shown and described.

**DESCRIPTION**

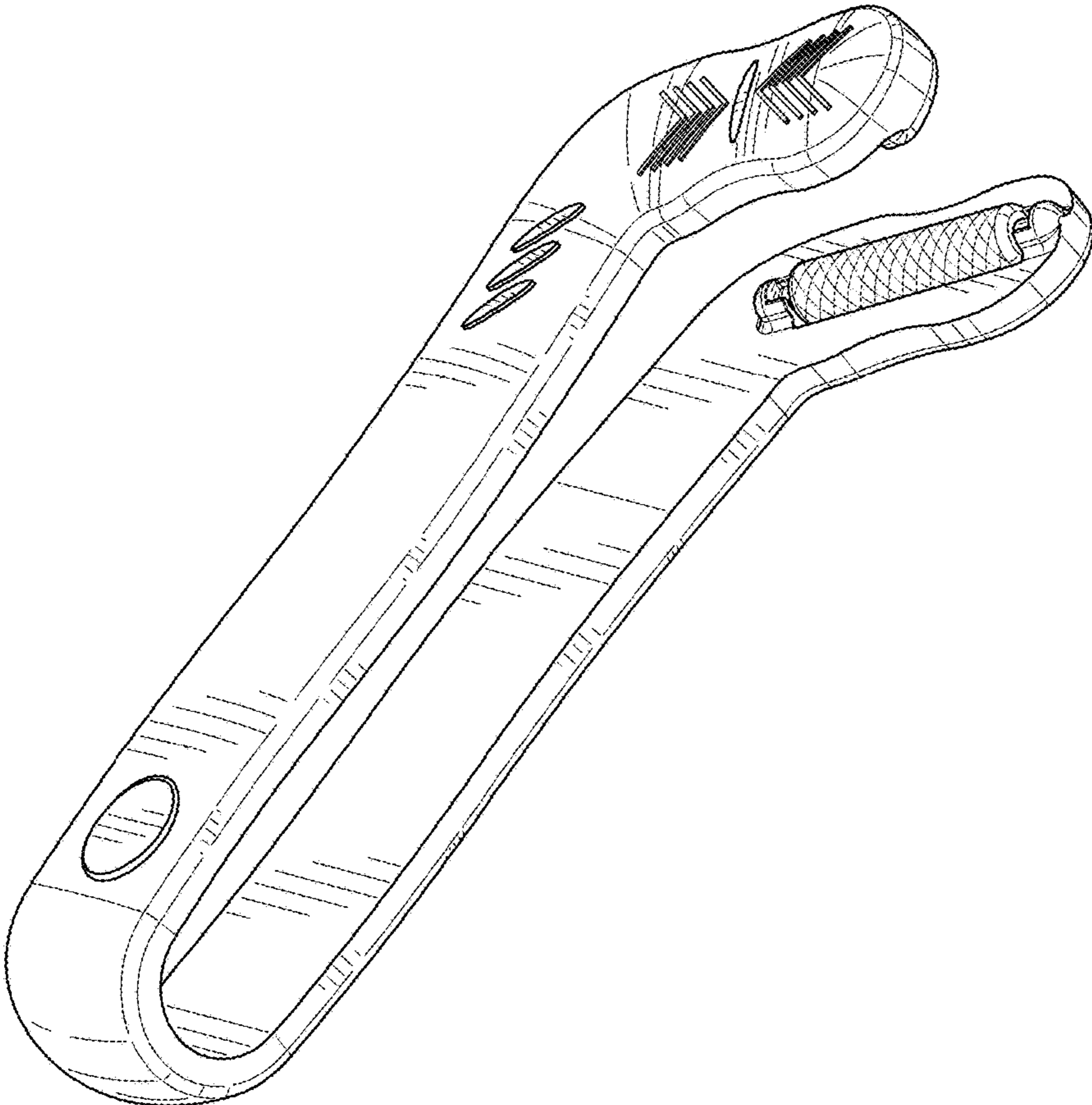
FIG. 1 is an upper front perspective view of a tool for sealing a resealable zipper lock bag;  
FIG. 2 is a lower rear perspective view thereof;  
FIG. 3 is a left side view thereof;  
FIG. 4 is a rear view thereof;  
FIG. 5 is a right side view thereof;  
FIG. 6 is a front view thereof;  
FIG. 7 is a top view thereof; and,  
FIG. 8 is a bottom view thereof.  
The broken lines shown in the drawing depict environmental subject matter only and form no part of the claimed design.

**1 Claim, 4 Drawing Sheets**

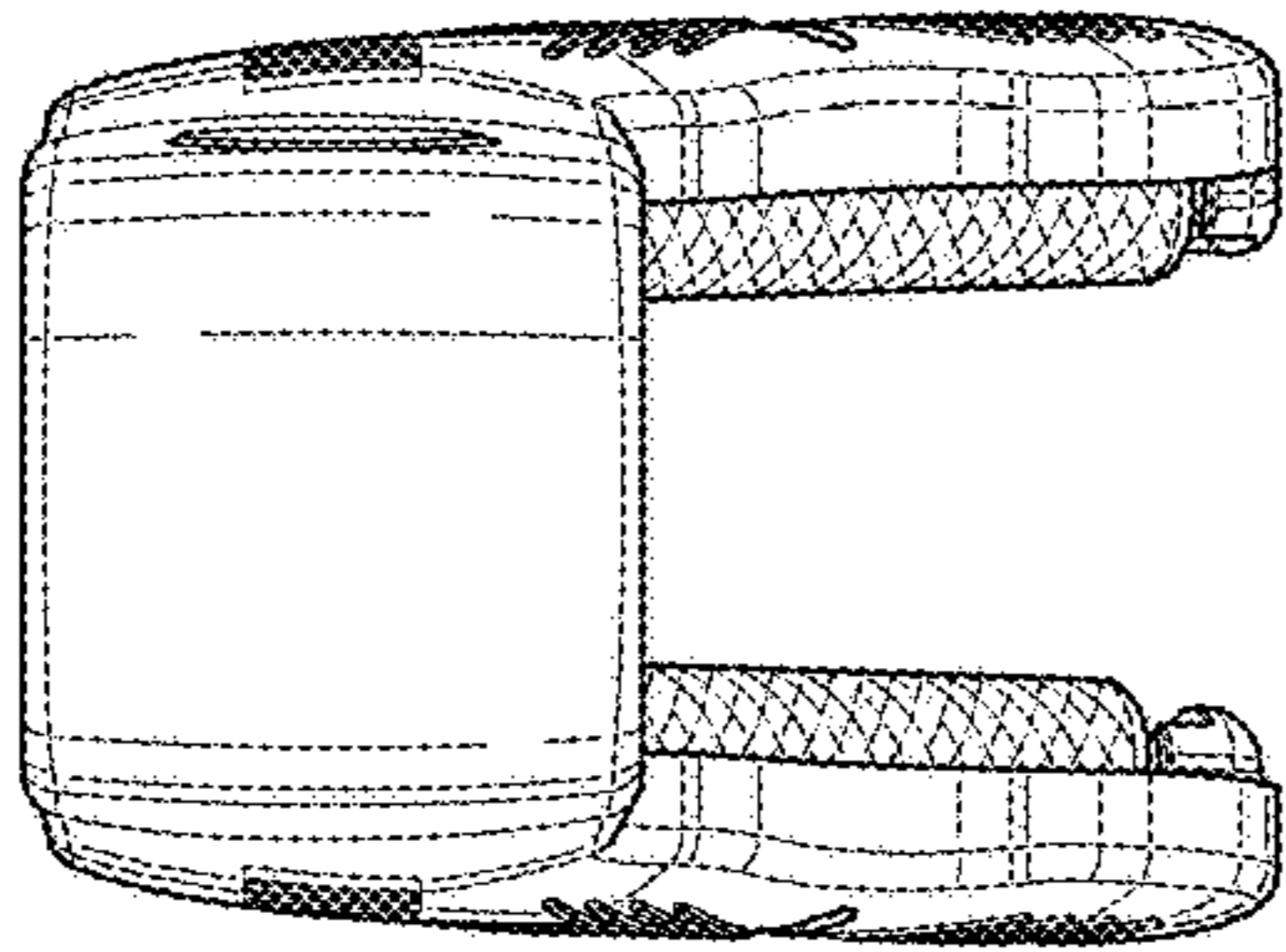




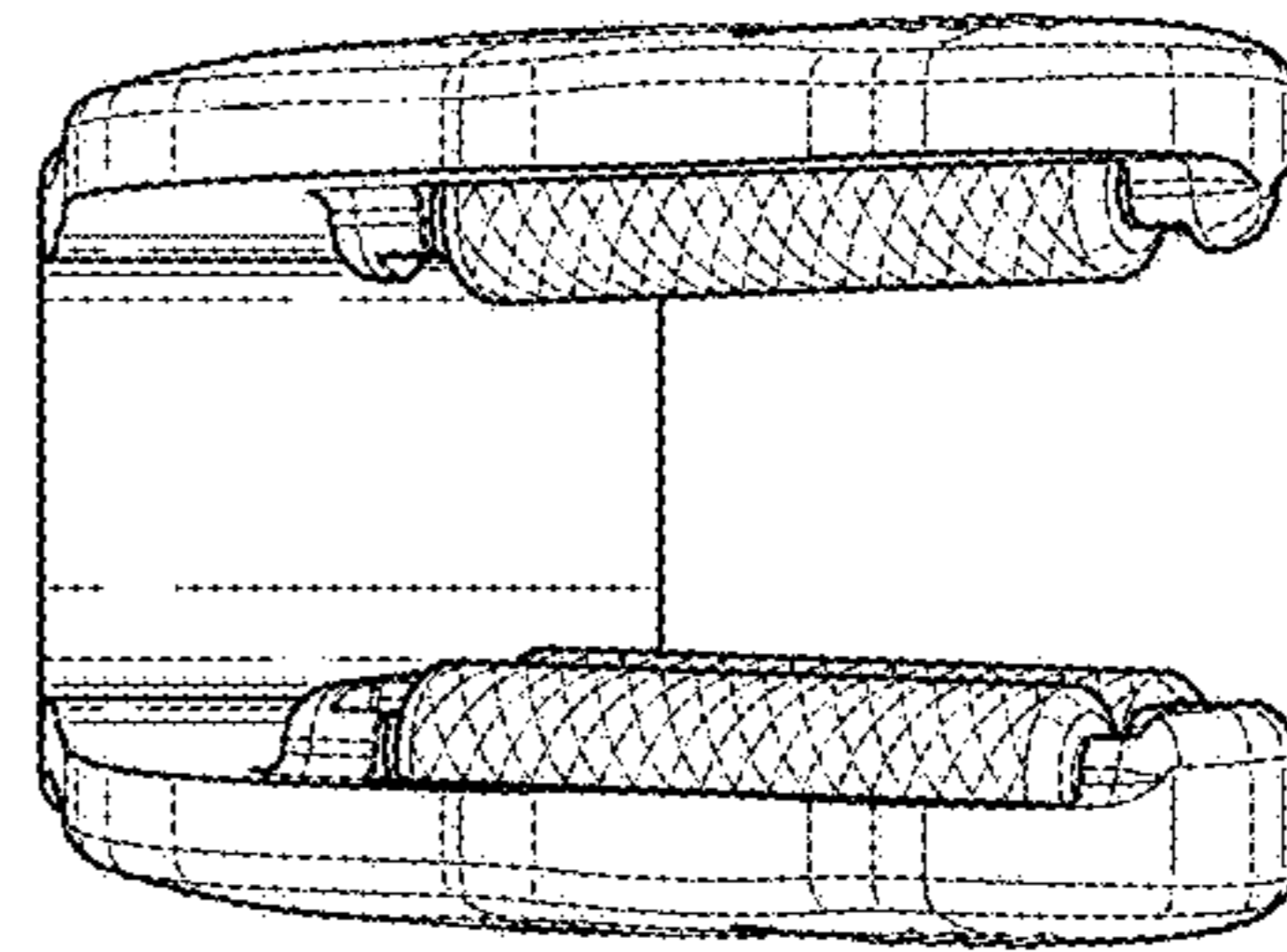
**FIG. 1**



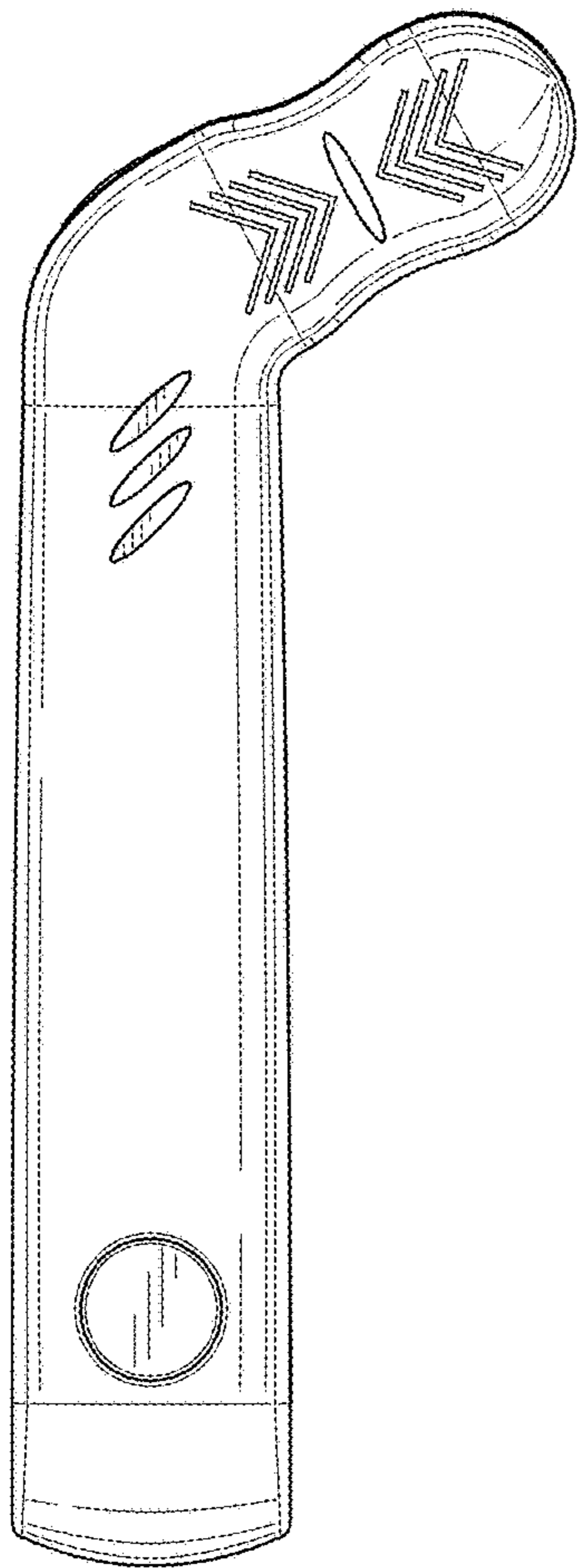
**FIG. 2**



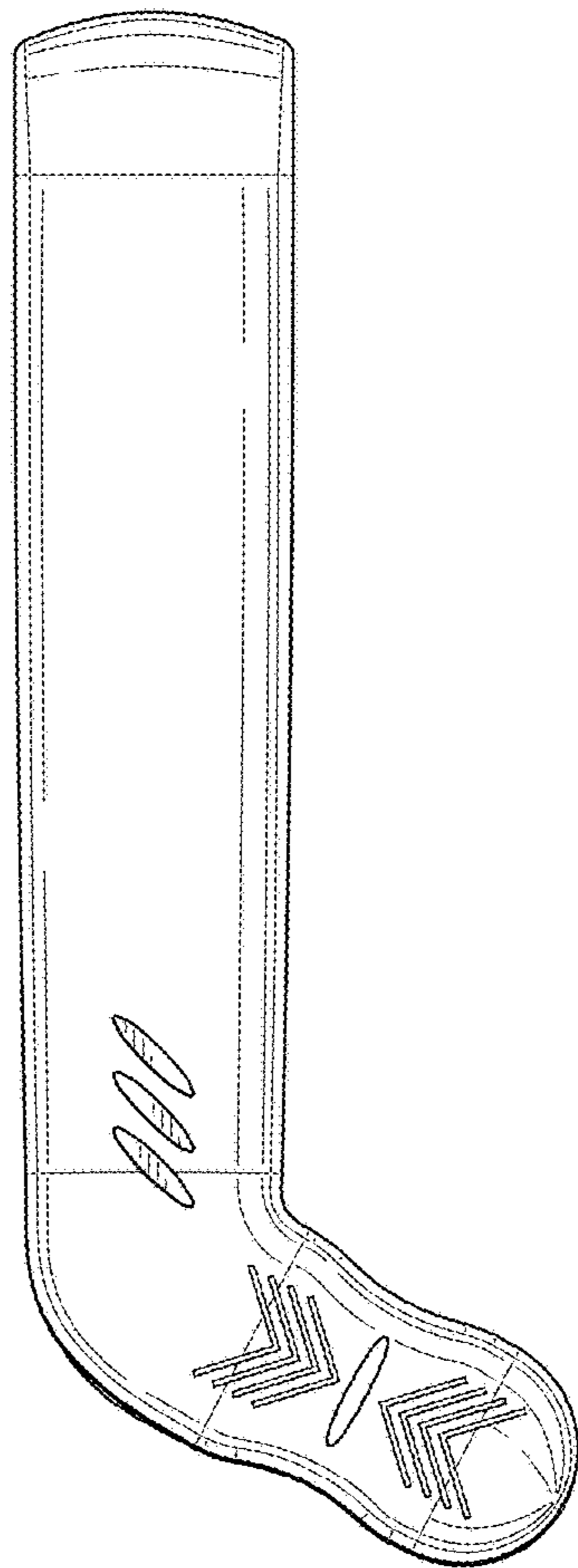
**FIG. 4**



**FIG. 6**

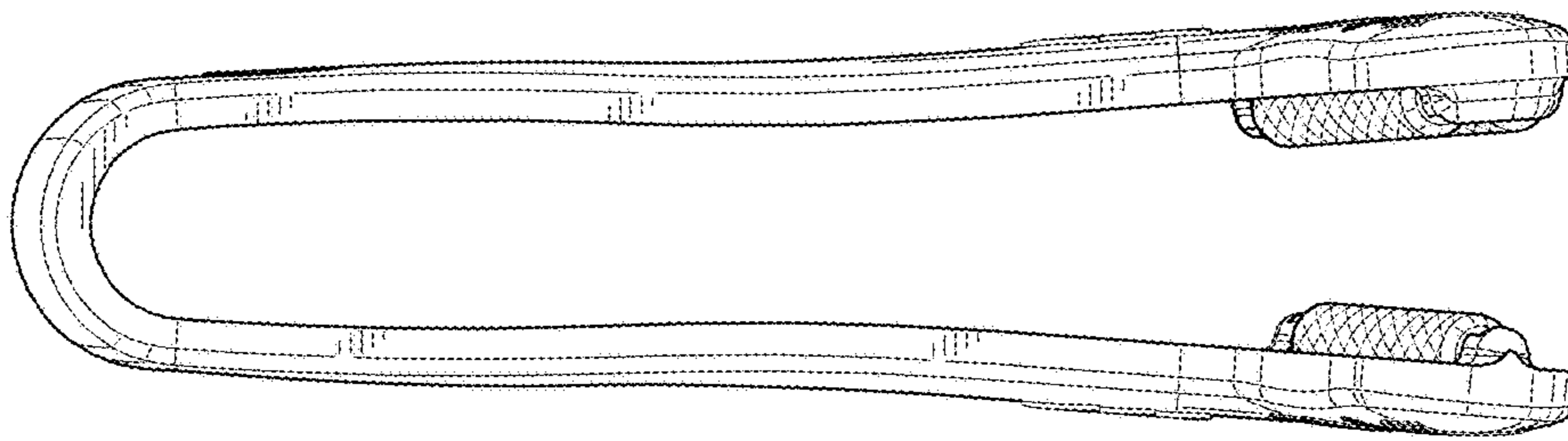


**FIG. 3**

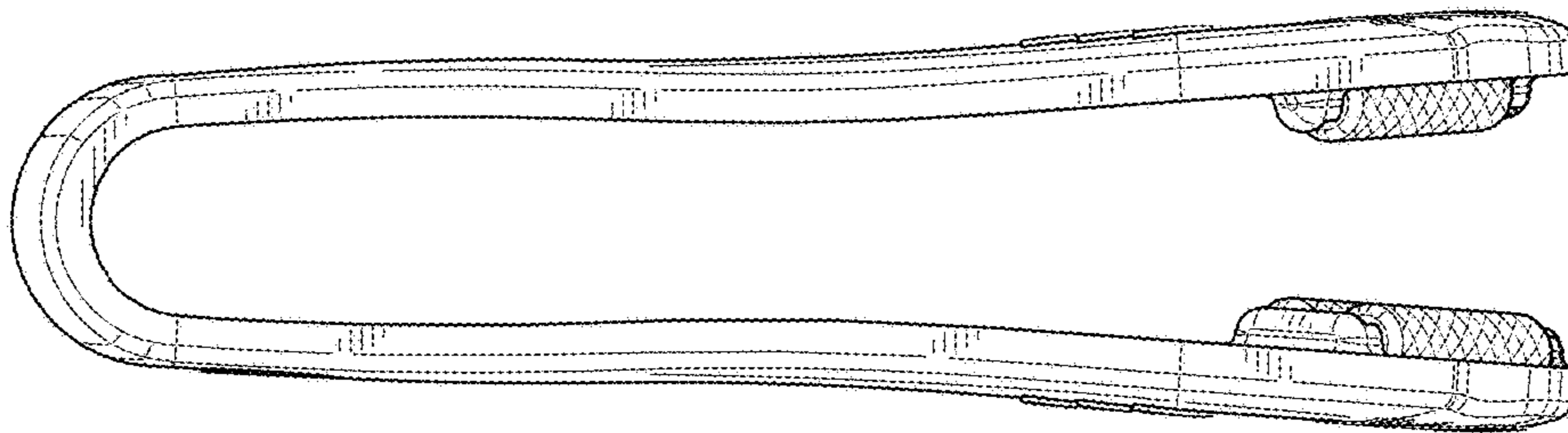


**FIG. 5**





**FIG. 8**



**FIG. 7**