



US00D826017S

(12) **United States Design Patent**
Breeden III et al.

(10) **Patent No.:** **US D826,017 S**

(45) **Date of Patent:** **** Aug. 21, 2018**

- (54) **RATCHET HANDLE**
- (71) Applicant: **WINSTON PRODUCTS, LLC**,
Cleveland, OH (US)
- (72) Inventors: **Winston H. Breeden III**, Chagrin Falls,
OH (US); **Colleen Kurniawan**,
Cleveland, OH (US)
- (73) Assignee: **WINSTON PRODUCTS LLC**,
Cleveland, OH (US)

5,271,606	A *	12/1993	Kamper	B60P 7/083 254/217
6,195,848	B1 *	3/2001	Jackson	B60P 7/083 24/68 CD
6,547,218	B2 *	4/2003	Landy	B60P 7/083 24/68 CD
7,651,072	B1 *	1/2010	Chang	B25B 25/00 24/68 CD
7,909,306	B2 *	3/2011	Adcock	B60P 7/083 24/68 R
9,259,828	B2 *	2/2016	Bermes	B25B 25/00
2008/0232922	A1 *	9/2008	Chang	B25B 25/00 410/103

(**) Term: **15 Years**

* cited by examiner

(21) Appl. No.: **29/591,802**

Primary Examiner — Phillip S Hyder

(22) Filed: **Jan. 24, 2017**

(74) *Attorney, Agent, or Firm* — Tucker Ellis LLP;
Patrick F. Clunk

(51) **LOC (11) Cl.** **08-05**

(52) **U.S. Cl.**
USPC **D8/44**

(58) **Field of Classification Search**
USPC D8/14, 44, 51
CPC B25B 25/00; B60P 3/079; B60P 7/083;
B60P 7/0846; B65B 13/025
See application file for complete search history.

(57) **CLAIM**

The ornamental design for a ratchet handle, as shown and described.

DESCRIPTION

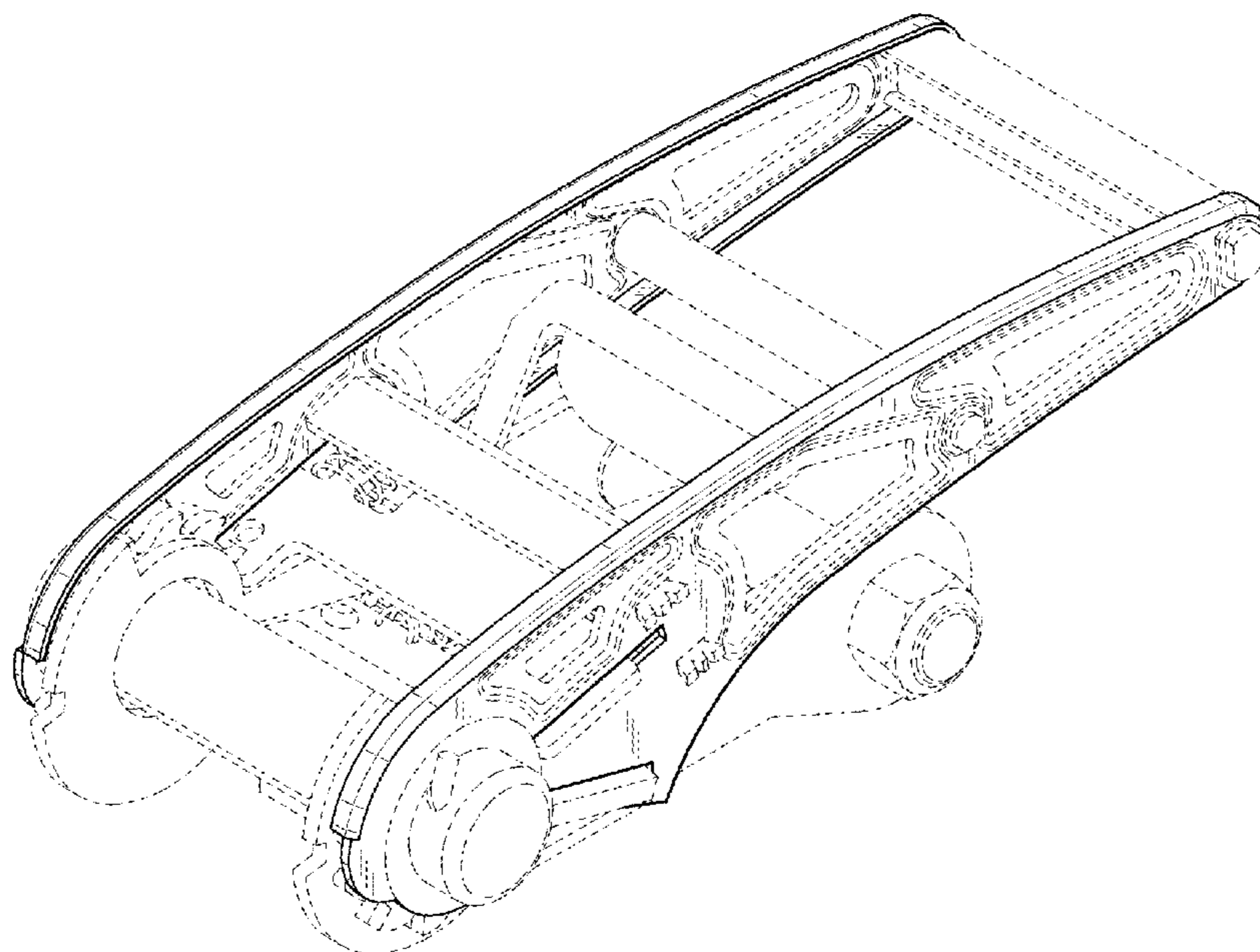
FIG. 1 is a perspective view of a ratchet handle showing our new design;
FIG. 2 is a front view thereof;
FIG. 3 is a rear view thereof;
FIG. 4 is a top view thereof;
FIG. 5 is a bottom view thereof;
FIG. 6 is a left side view thereof; and,
FIG. 7 is a right side view thereof.
The broken lines shown in the drawings illustrate portions of the ratchet handle or portions of the ratchet device that form no part of claimed design.

(56) **References Cited**

U.S. PATENT DOCUMENTS

4,185,360	A *	1/1980	Prete, Jr.	B25B 25/00 24/68 CD
4,199,182	A *	4/1980	Sunesson	B60P 7/083 24/68 CD
4,227,286	A *	10/1980	Holmberg	B60P 7/083 24/68 CD
5,103,536	A *	4/1992	Kamper	B60P 7/083 24/68 CD
D328,840	S *	8/1992	Jensen	D8/44

1 Claim, 4 Drawing Sheets



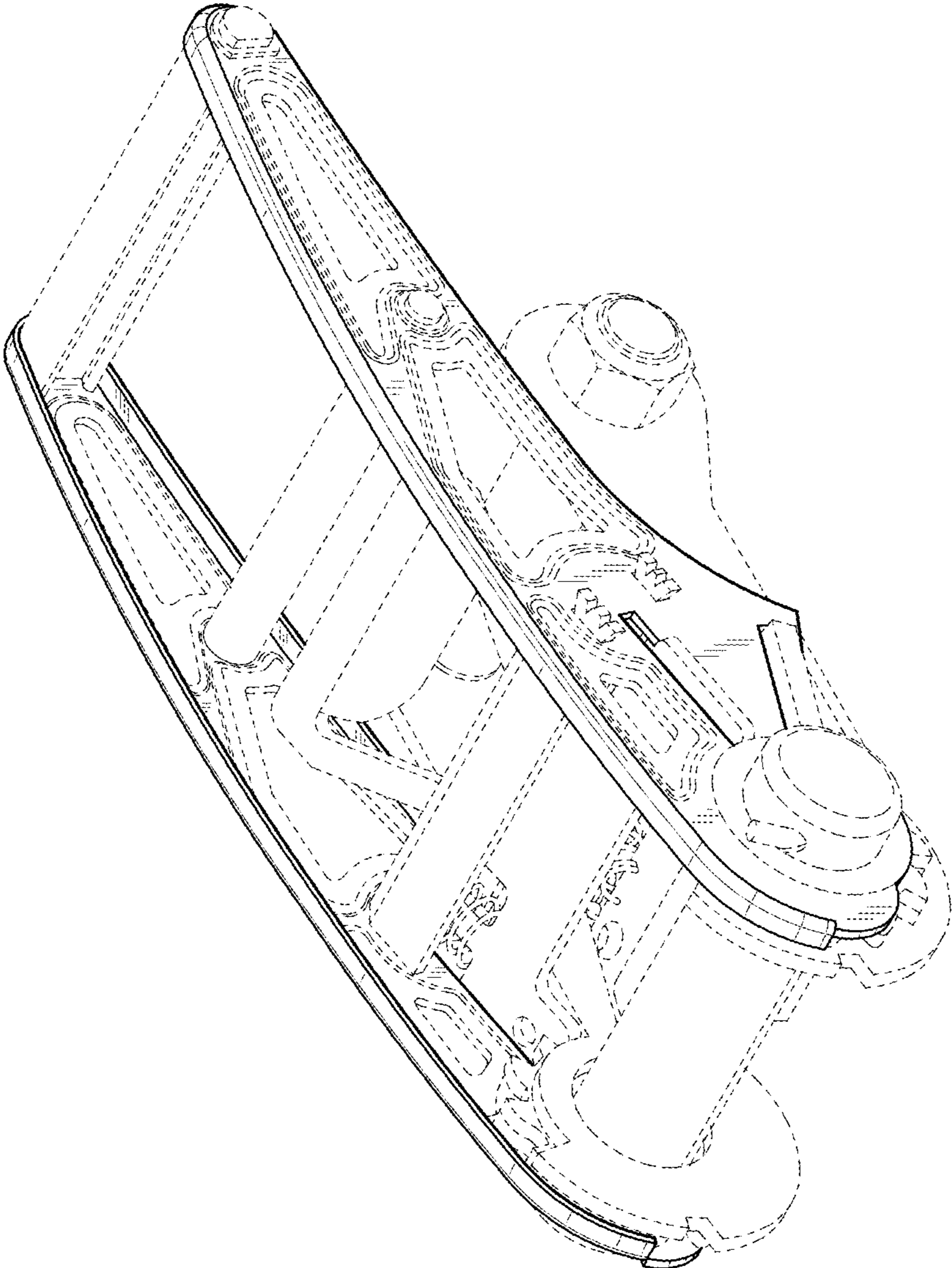


FIG. 1

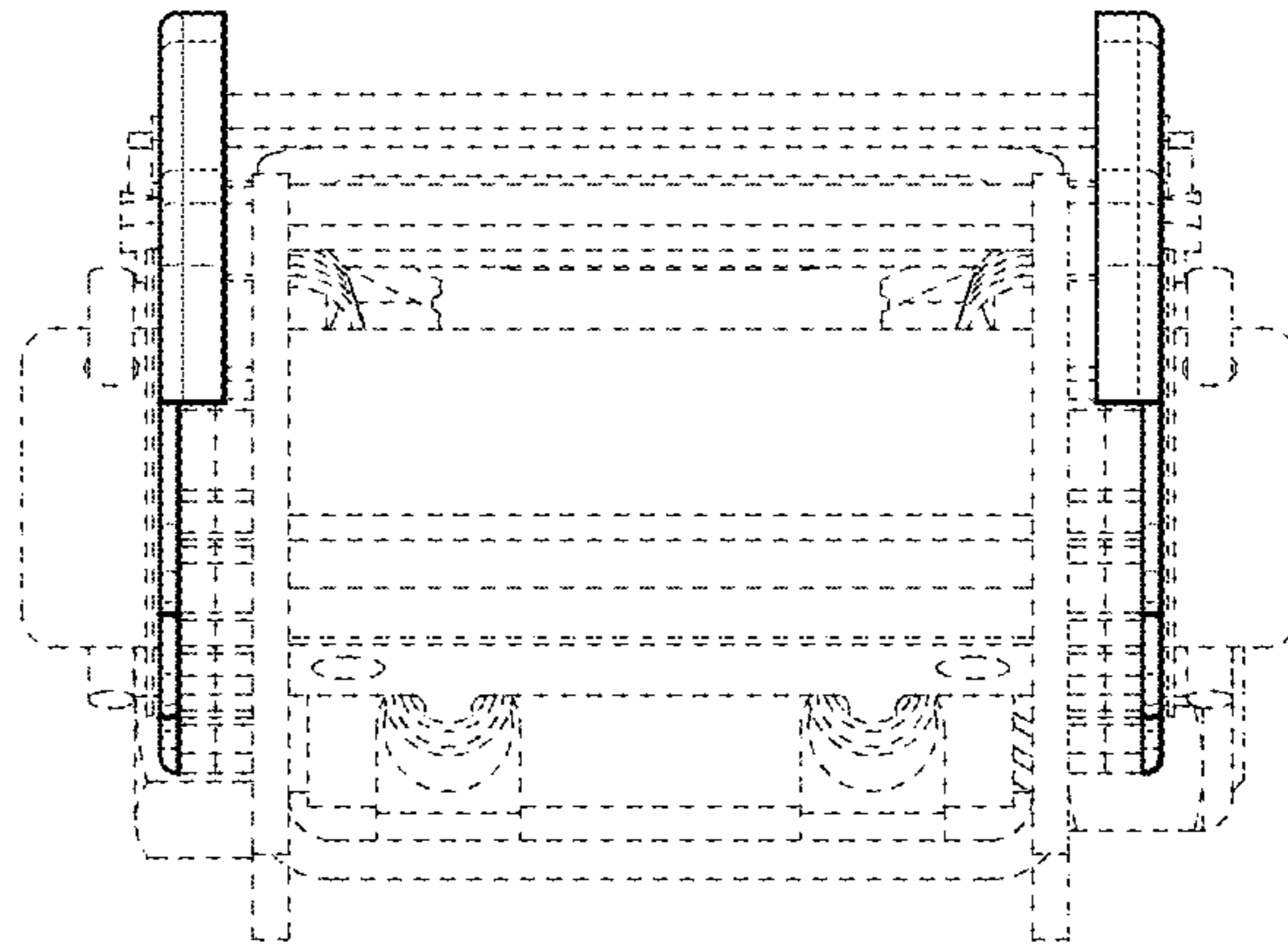


FIG. 2

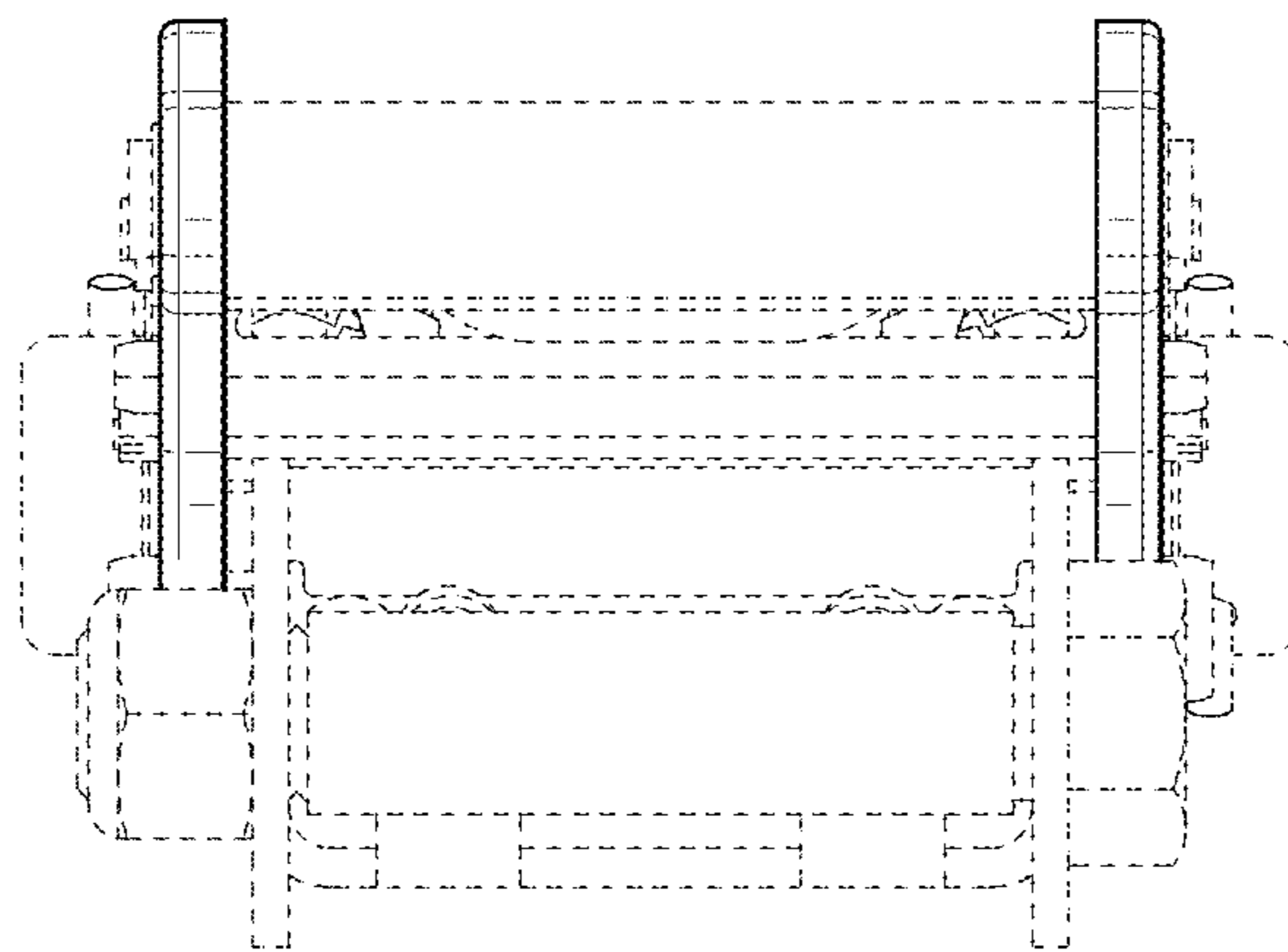


FIG. 3

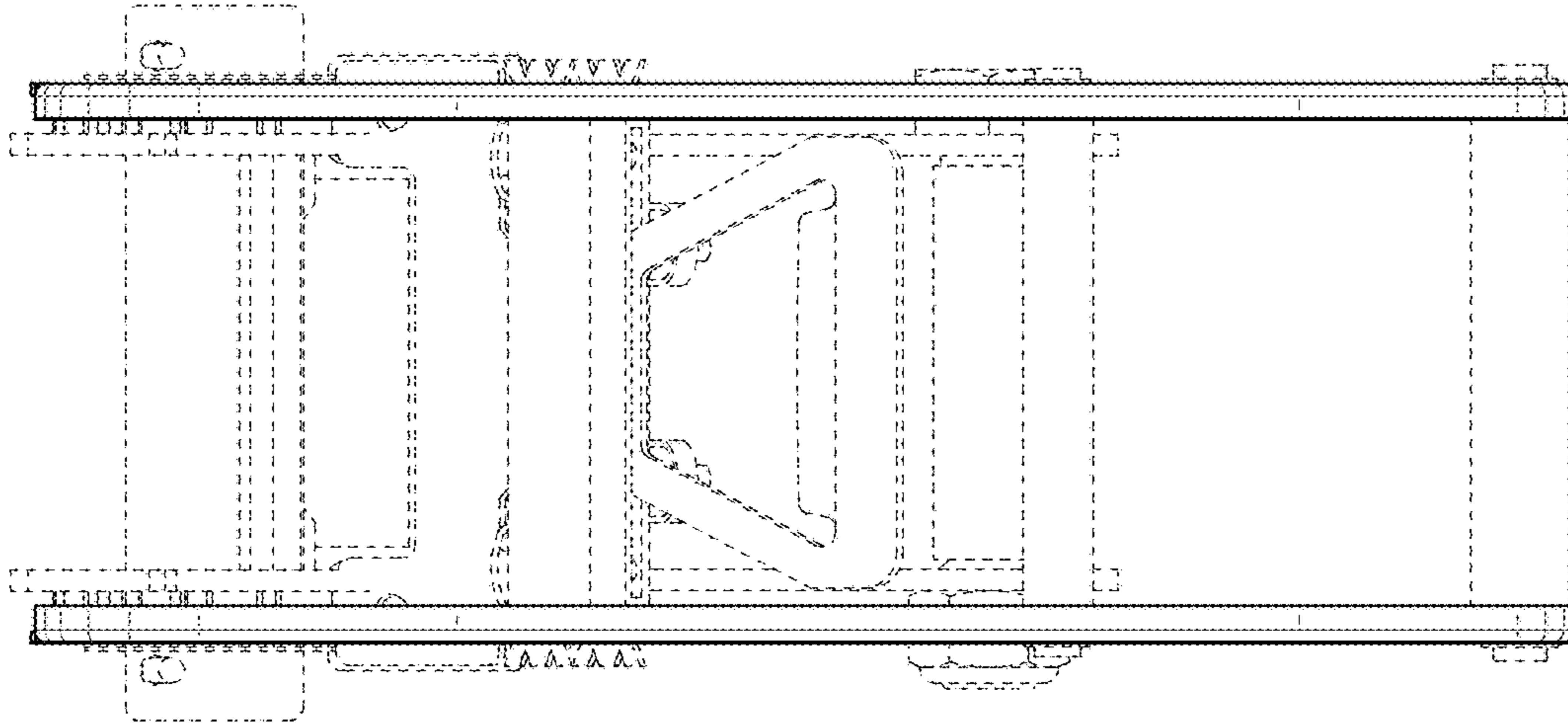


FIG. 4

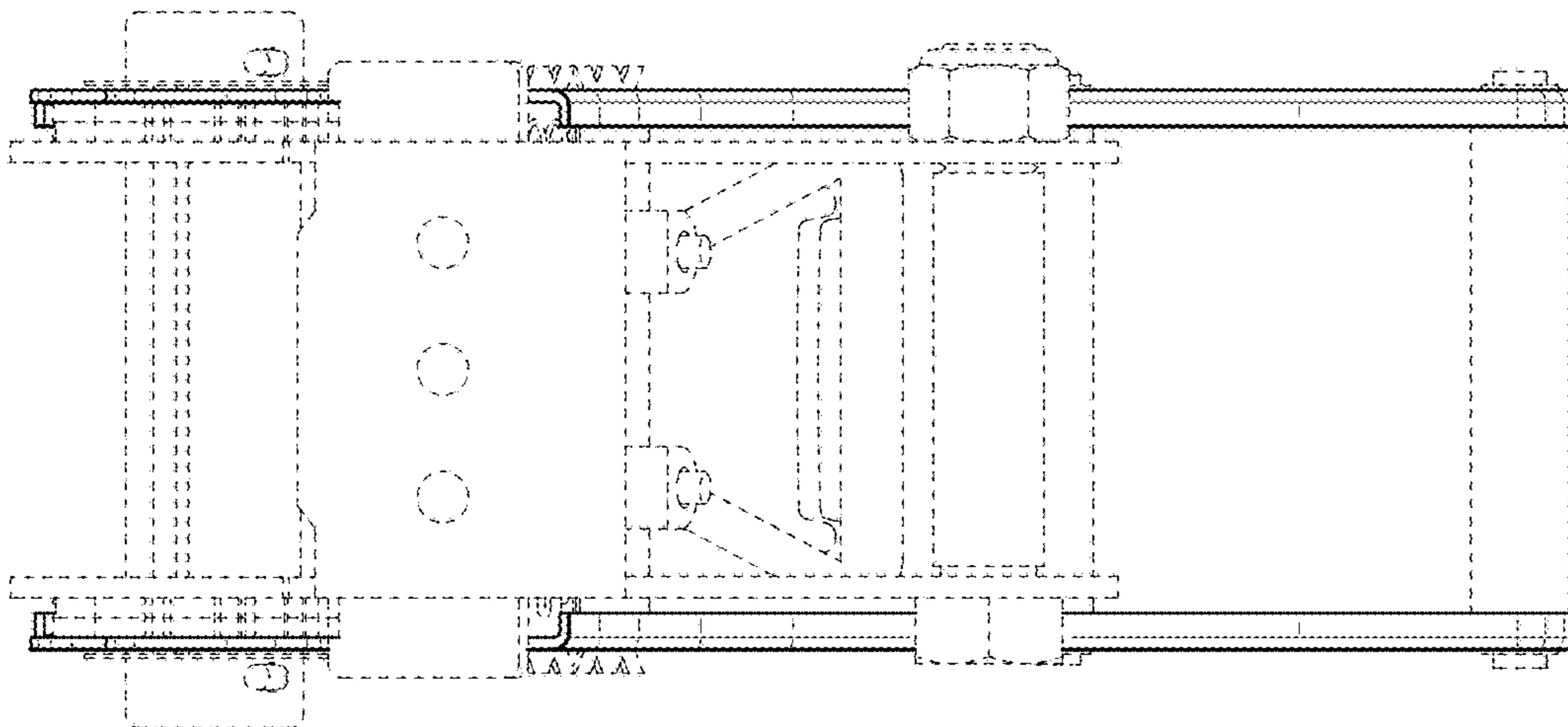


FIG. 5

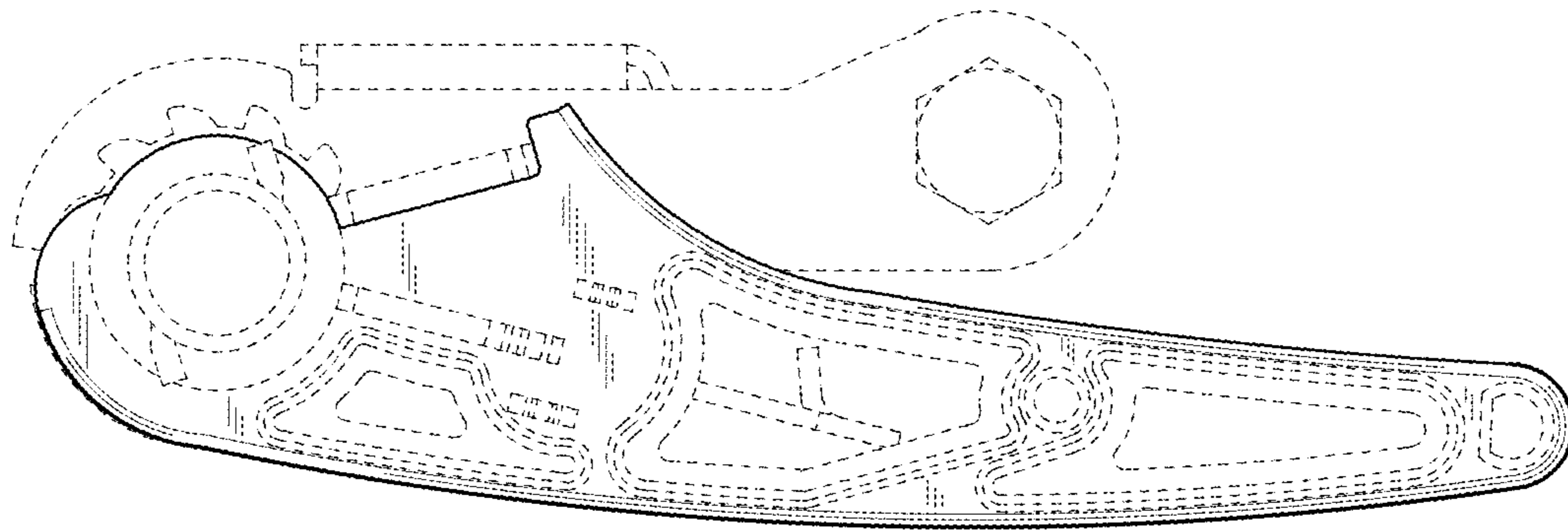


FIG. 6

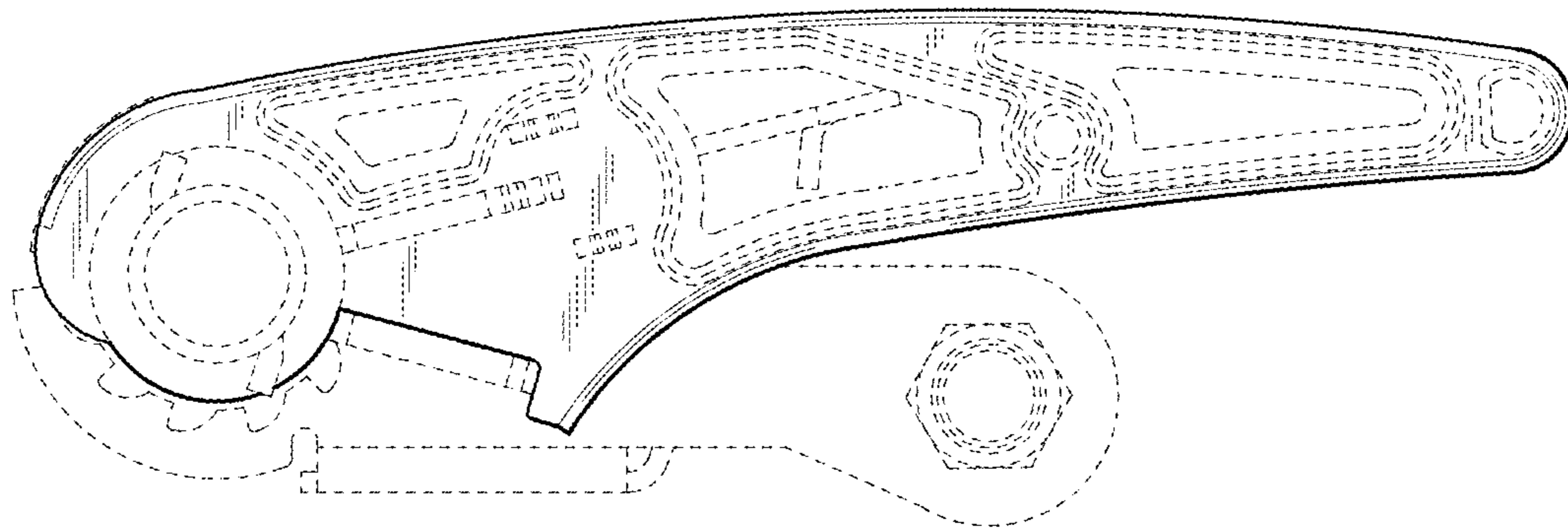


FIG. 7