



US00D826015S

(12) **United States Design Patent**  
**Erickson et al.**

(10) **Patent No.:** **US D826,015 S**

(45) **Date of Patent:** **\*\* Aug. 21, 2018**

(54) **CORKSCREW**

(71) Applicant: **Taylor Precision Products, Inc.**,  
Seattle, WA (US)

(72) Inventors: **Leif Erickson**, Seattle, WA (US); **Joe Gray**, Seattle, WA (US); **Madeleine Busch**, Seattle, WA (US)

(73) Assignee: **Taylor Precision Products, Inc.**,  
Seattle, WA (US)

(\*\*) Term: **15 Years**

(21) Appl. No.: **29/605,984**

(22) Filed: **May 31, 2017**

(51) **LOC (11) Cl.** ..... **07-06**

(52) **U.S. Cl.**  
USPC ..... **D8/42**

(58) **Field of Classification Search**  
USPC ..... D8/18, 33-43; D3/207-211  
CPC .... B67B 7/00; B67B 7/04; B67B 7/06; B67B 7/30; B67B 7/34; B67B 7/14; B67B 7/16; B67B 7/18; B67B 7/20; B67B 7/44  
See application file for complete search history.

(56) **References Cited**

**U.S. PATENT DOCUMENTS**

D251,913	S	*	5/1979	Romano	.....	D22/104
D268,245	S	*	3/1983	Makino	.....	81/3.2
D280,970	S	*	10/1985	Van Asten	.....	D8/36
4,637,283	A	*	1/1987	Bertram	.....	B67B 7/0405
						81/3.2
D288,521	S	*	3/1987	Van Asten	.....	D8/42
D296,979	S	*	8/1988	Yuen	.....	D8/36
D301,828	S	*	6/1989	Wong	.....	D8/36
D308,468	S	*	6/1990	Littmann	.....	D8/36
4,955,261	A	*	9/1990	Chiang	.....	B67B 7/0405
						81/3.2
D311,481	S	*	10/1990	Van Asten	.....	D8/36
D319,169	S	*	8/1991	van Asten	.....	D8/36

D338,054	S	*	8/1993	Cummings	.....	D22/104
6,101,899	A	*	8/2000	Nikolic	.....	B67B 7/0405
						81/3.2
D488,690	S	*	4/2004	Haas	.....	F23Q 2/32
						D27/142
D689,353	S	*	9/2013	Dockser	.....	D8/42
D704,016	S	*	5/2014	Ye	.....	D8/43
D717,578	S	*	11/2014	Lazaris	.....	D7/300
D718,106	S	*	11/2014	Lauzet	.....	D8/33

(Continued)

*Primary Examiner* — Elizabeth Albert

(74) *Attorney, Agent, or Firm* — Seed Intellectual Property Law Group LLP

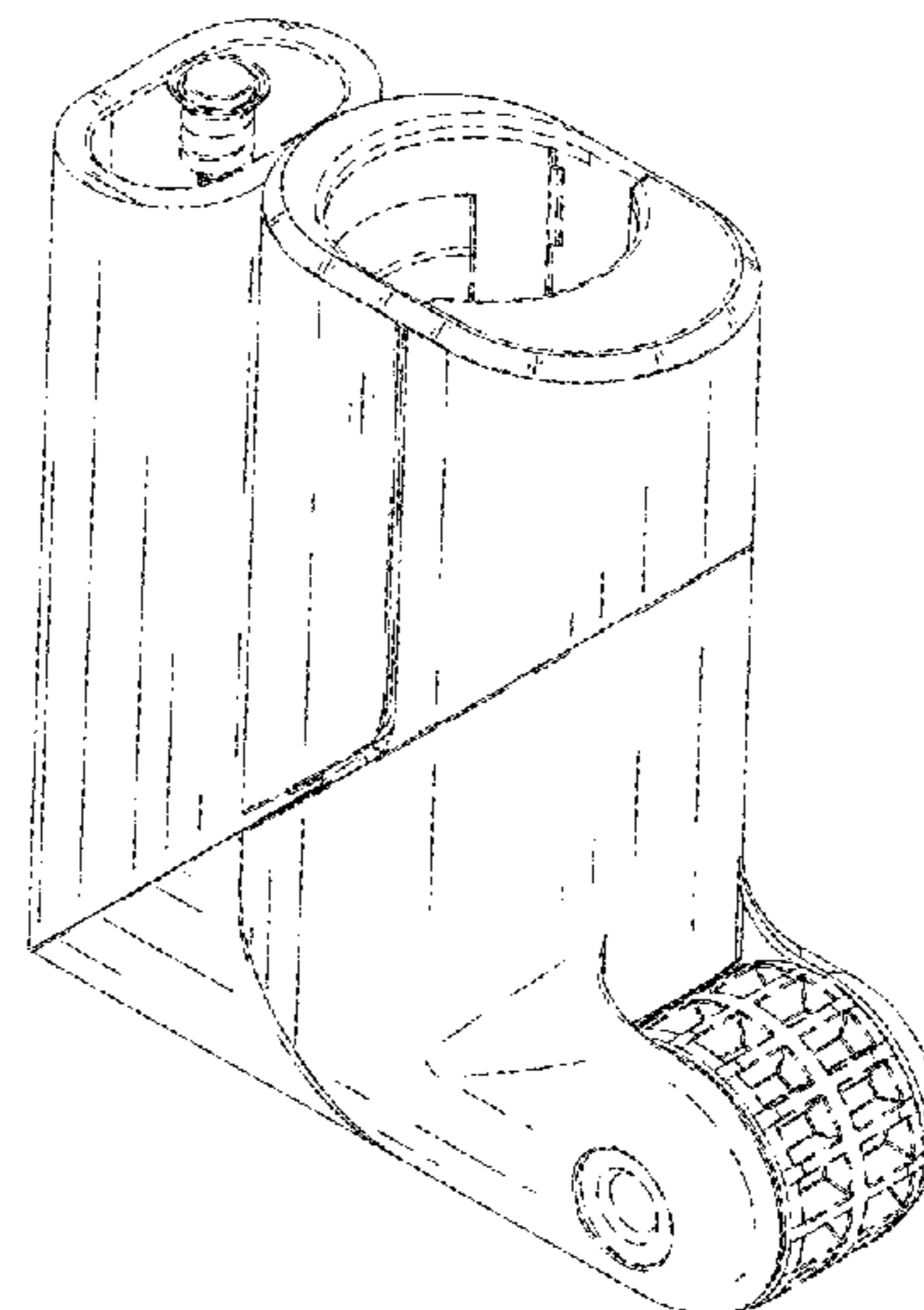
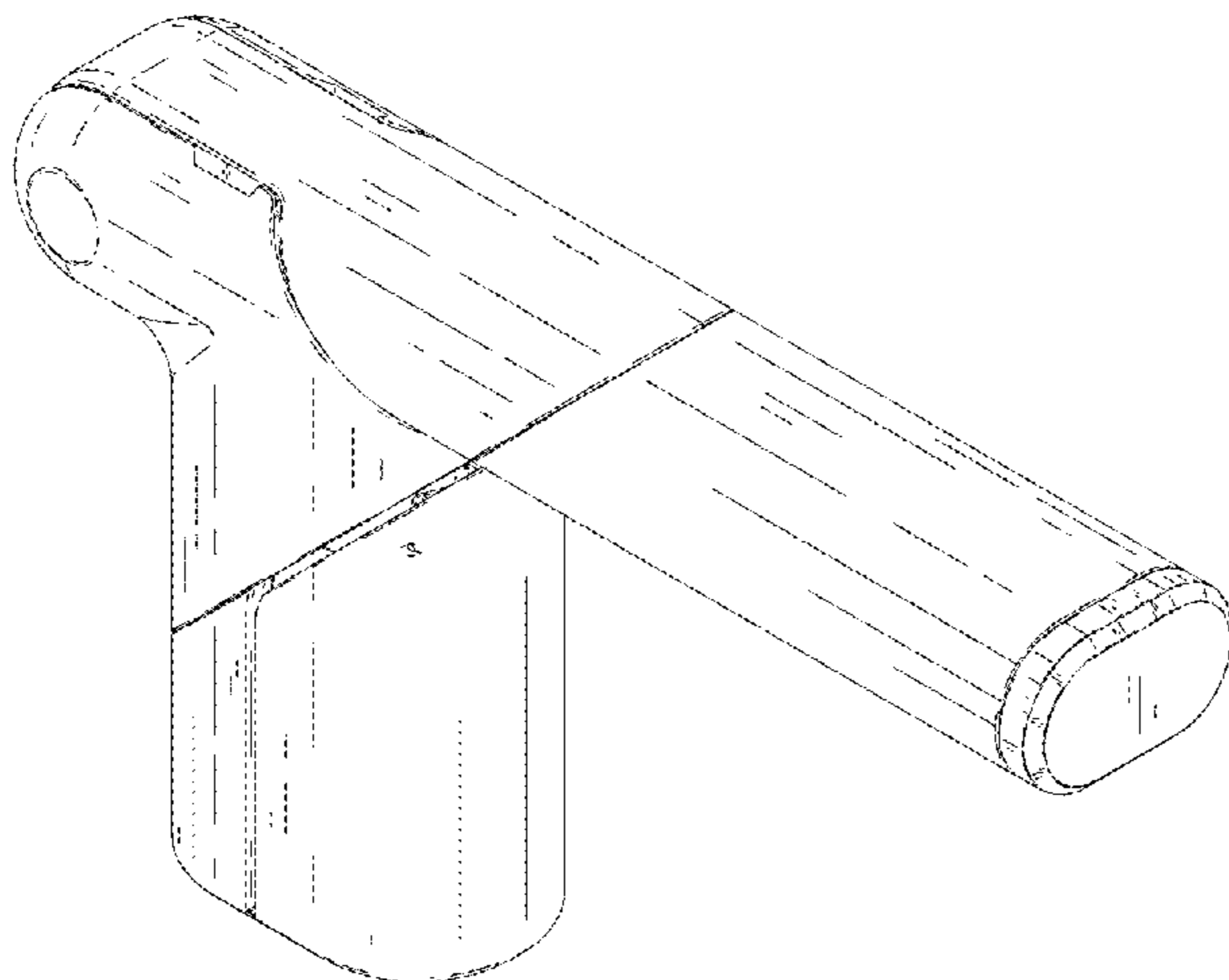
(57) **CLAIM**

The ornamental design for a corkscrew, as shown and described.

**DESCRIPTION**

FIG. 1 is a top perspective view of a corkscrew showing our new design in a first configuration.  
 FIG. 2 is a bottom perspective view thereof.  
 FIG. 3 is a front elevational view thereof.  
 FIG. 4 is a rear elevational view thereof.  
 FIG. 5 is a top plan view thereof.  
 FIG. 6 is a bottom plan view thereof.  
 FIG. 7 is a right side elevational view thereof.  
 FIG. 8 is a left side elevational view thereof.  
 FIG. 9 is a top perspective view of the corkscrew showing our new design in a second configuration.  
 FIG. 10 is a bottom perspective view thereof.  
 FIG. 11 is a front elevational view thereof.  
 FIG. 12 is a rear elevational view thereof.  
 FIG. 13 is a top plan view thereof.  
 FIG. 14 is a bottom plan view thereof.  
 FIG. 15 is a right side elevational view thereof; and,  
 FIG. 16 is a left side elevational view thereof.  
 The broken lines in the figures form no part of the claimed design.

**1 Claim, 10 Drawing Sheets**



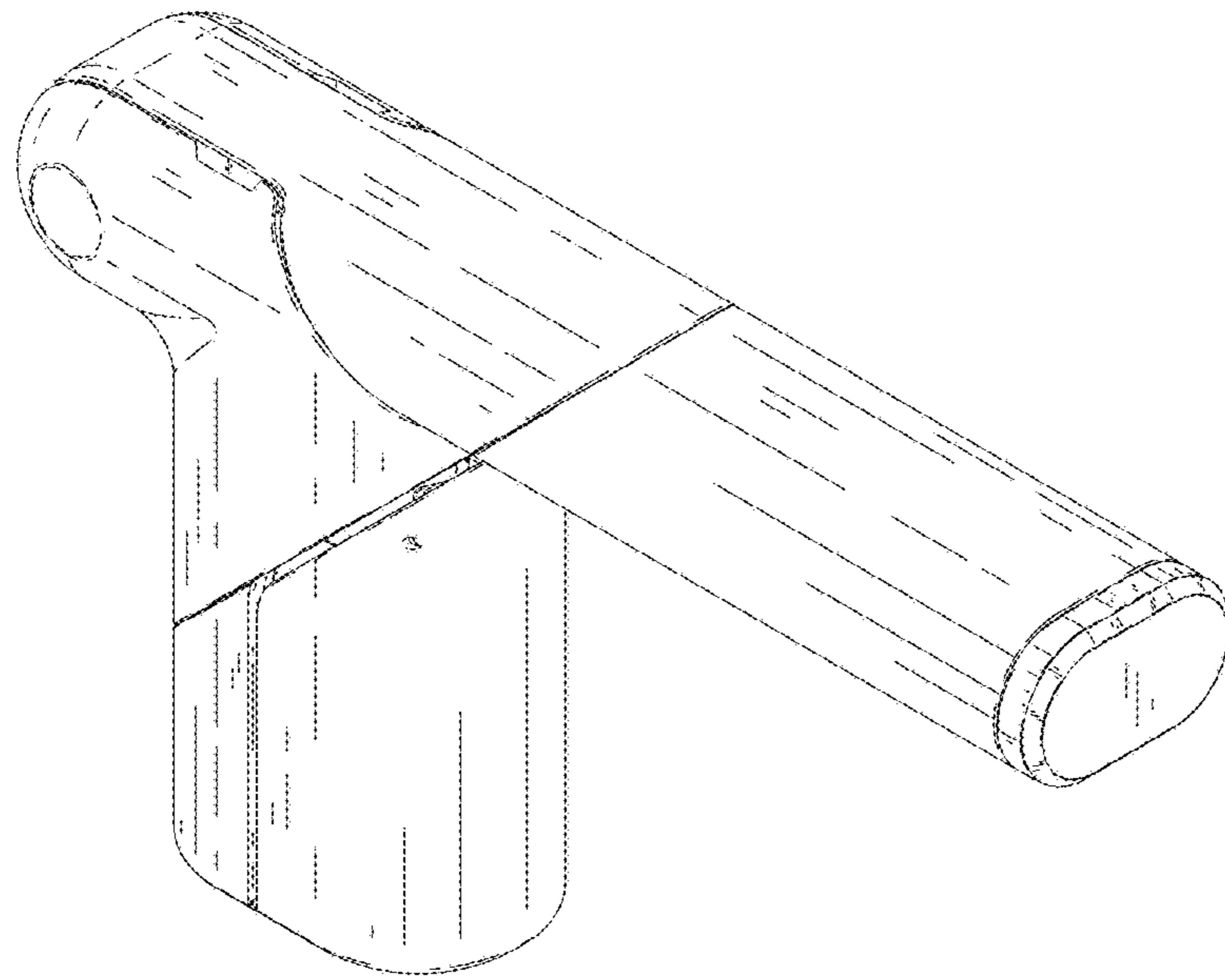
(56)

**References Cited**

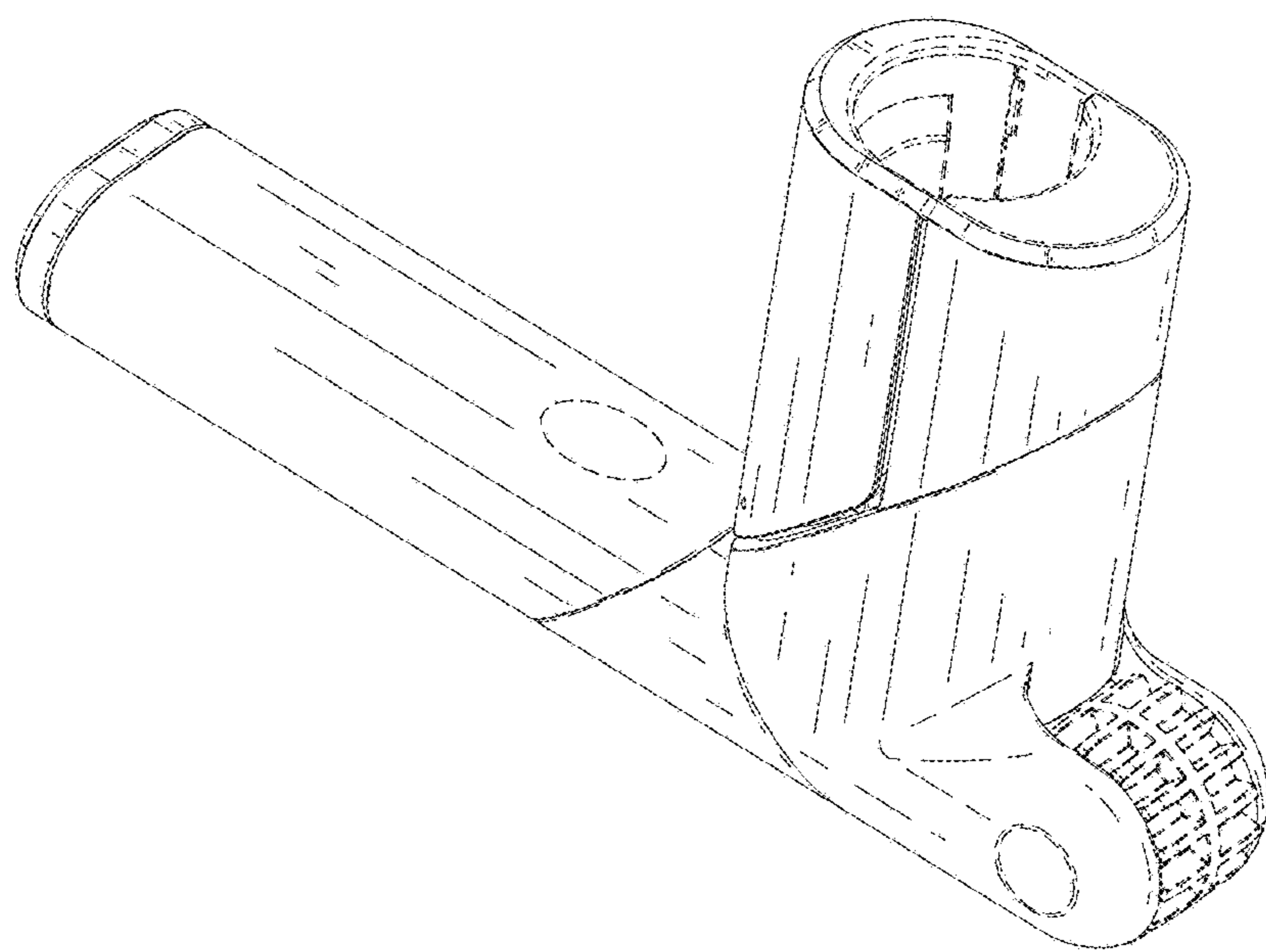
U.S. PATENT DOCUMENTS

D720,806 S *	1/2015	Knirr .....	D8/38
D740,092 S *	10/2015	Notaro .....	D8/38
D801,129 S *	10/2017	Metaxatos .....	D7/665
2002/0174489 A1 *	11/2002	Puig .....	B67B 7/0441 7/155

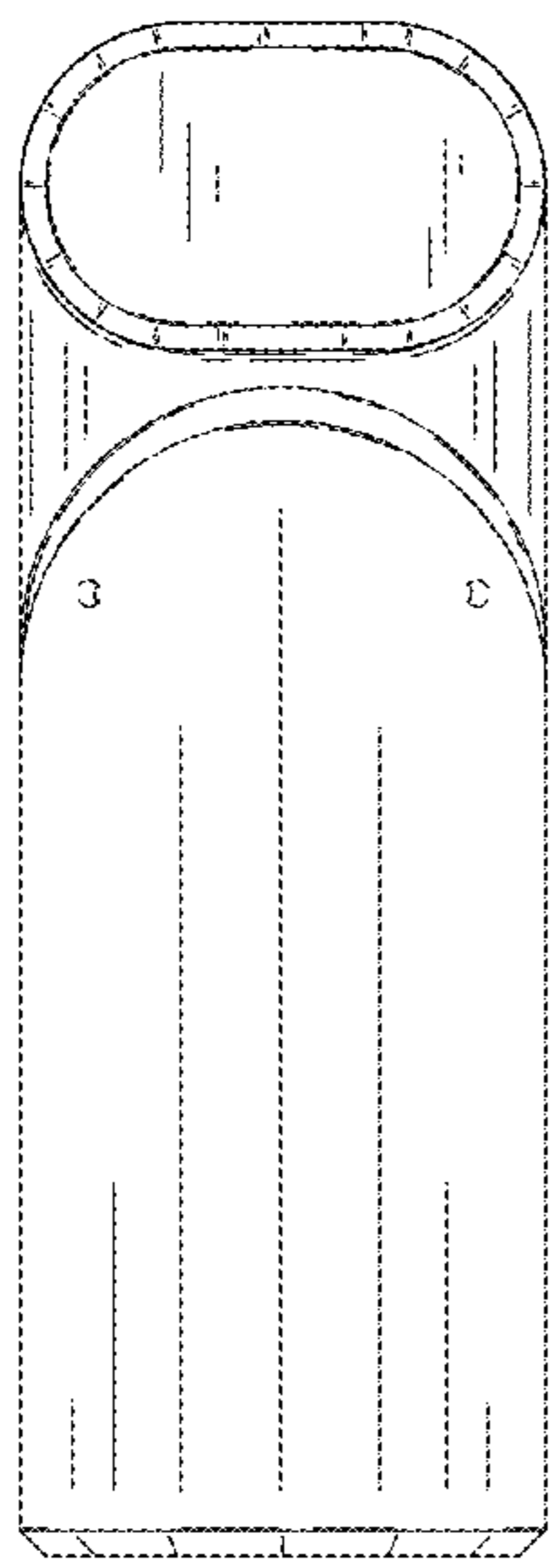
\* cited by examiner



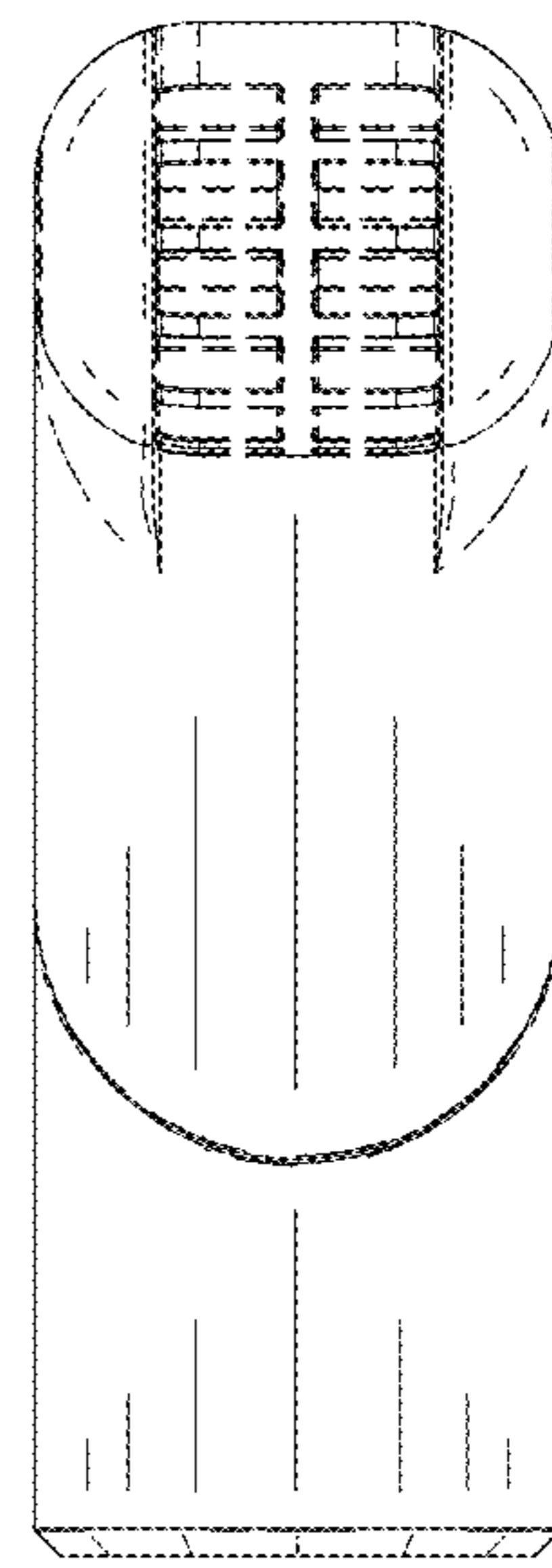
*FIG. 1*



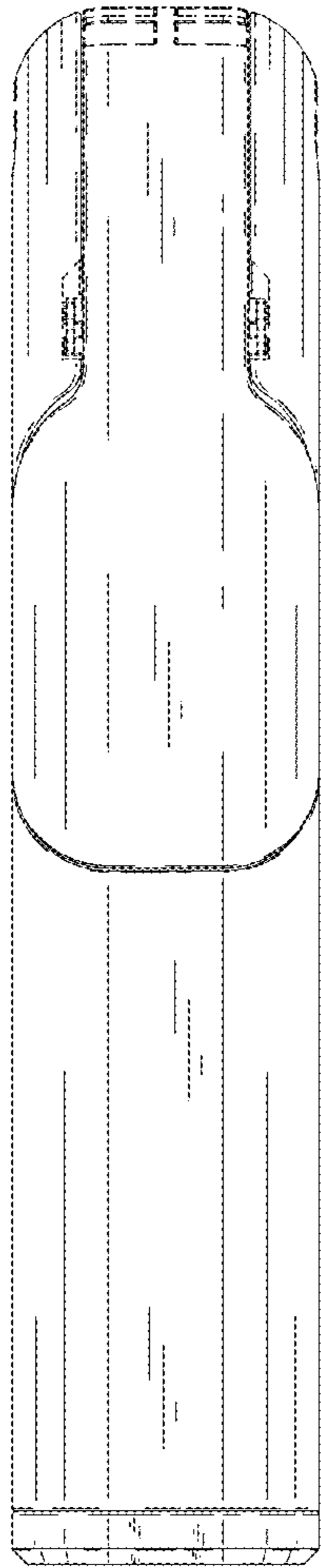
*FIG. 2*



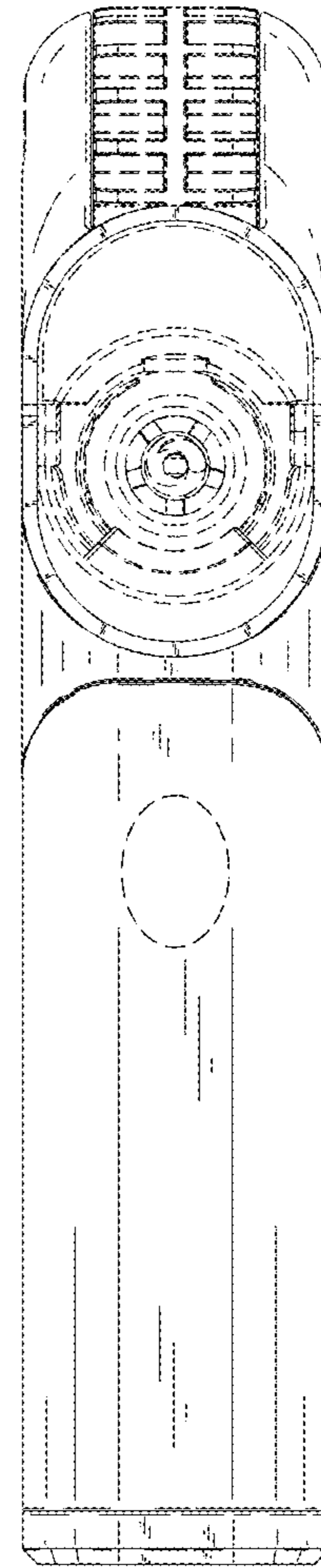
*FIG. 3*



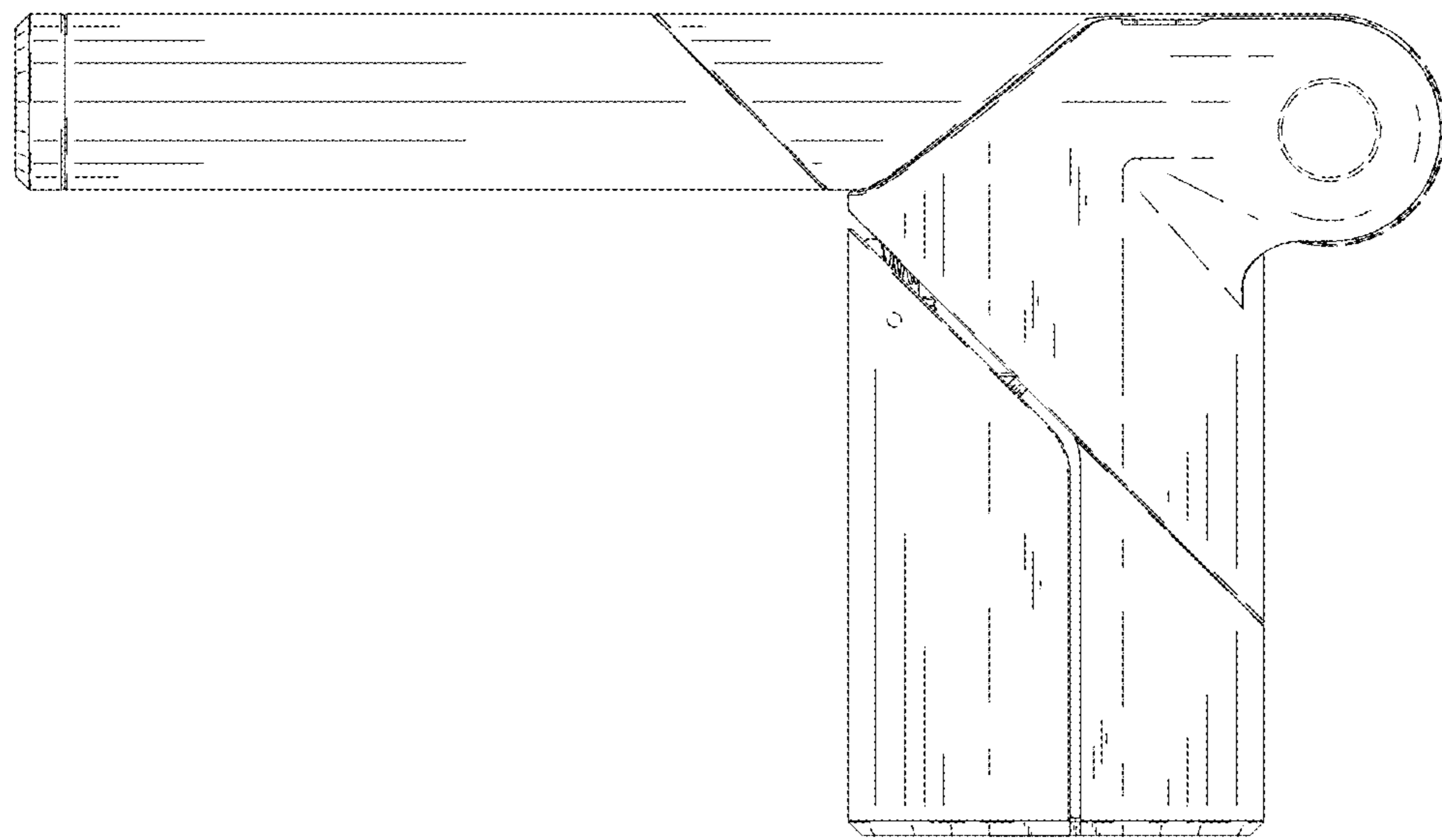
*FIG. 4*



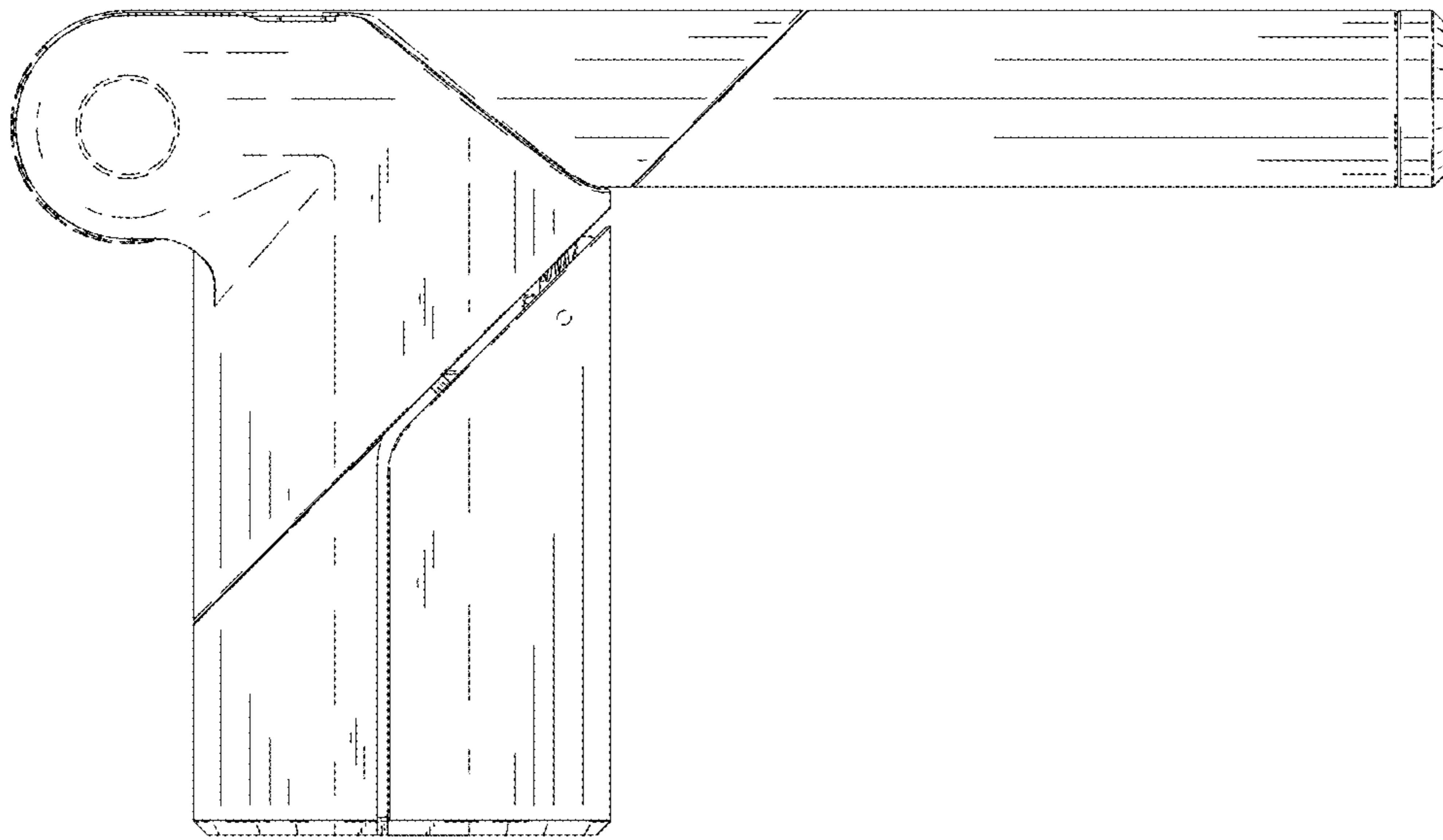
*FIG. 5*



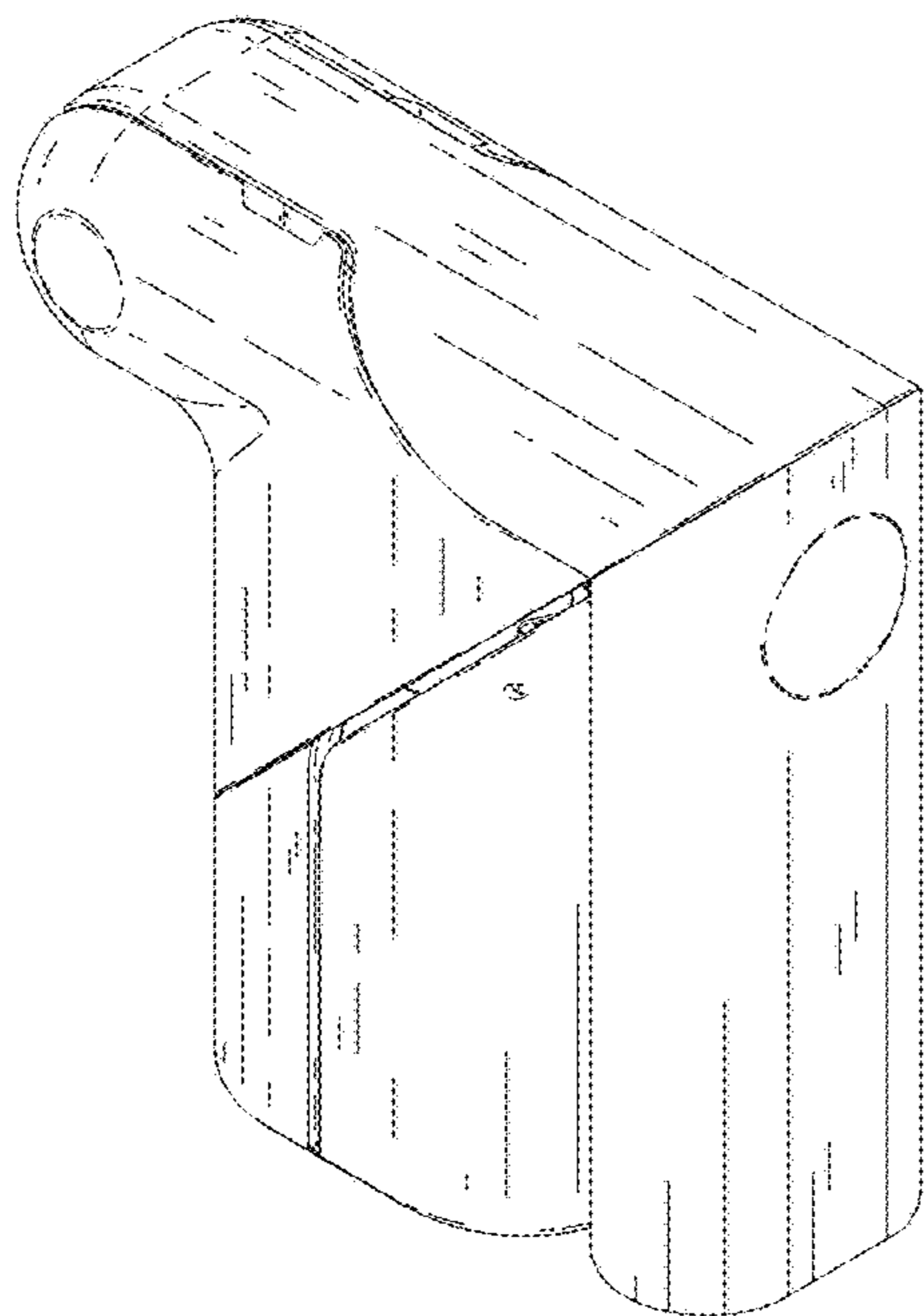
*FIG. 6*



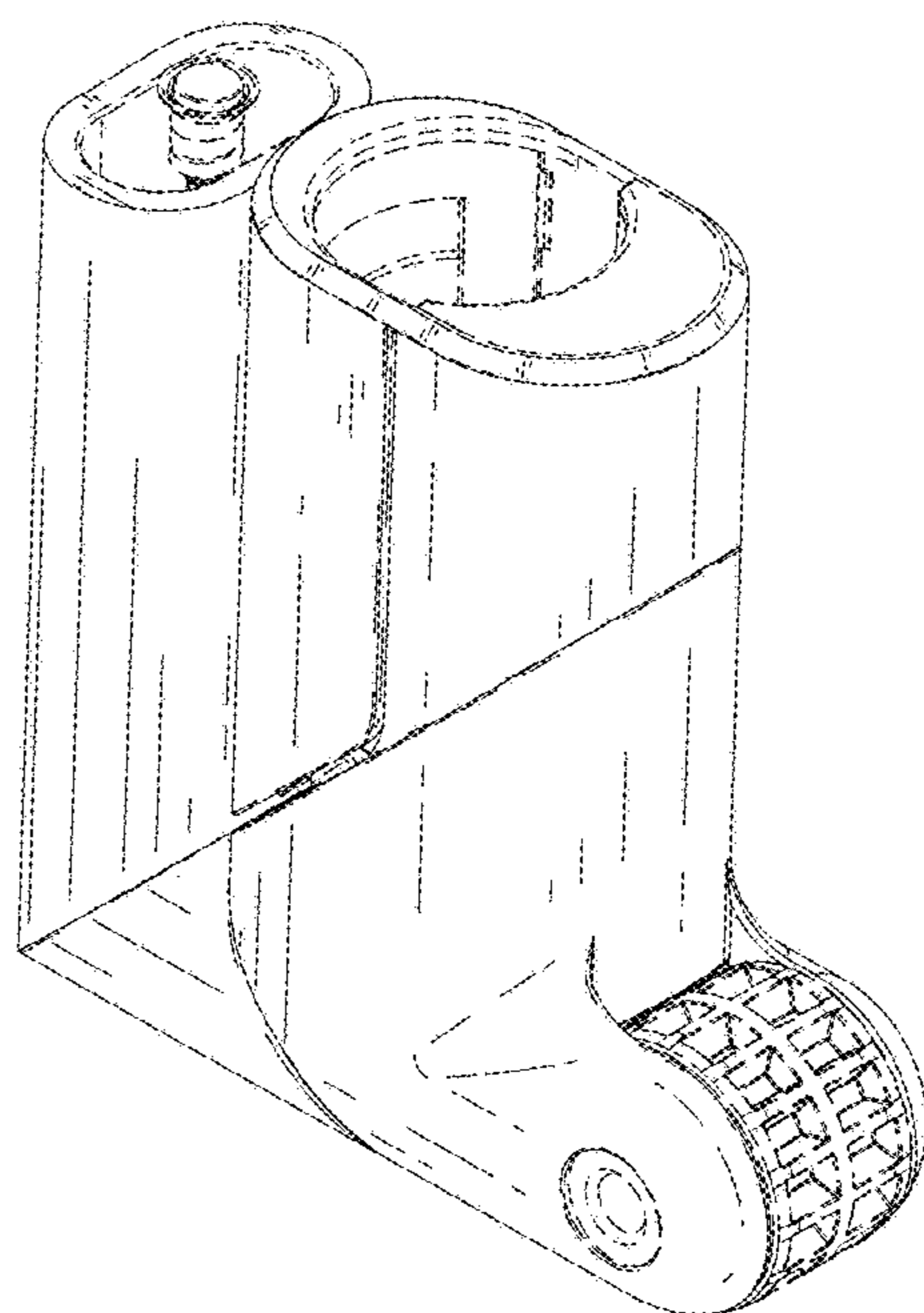
*FIG. 7*



*FIG. 8*

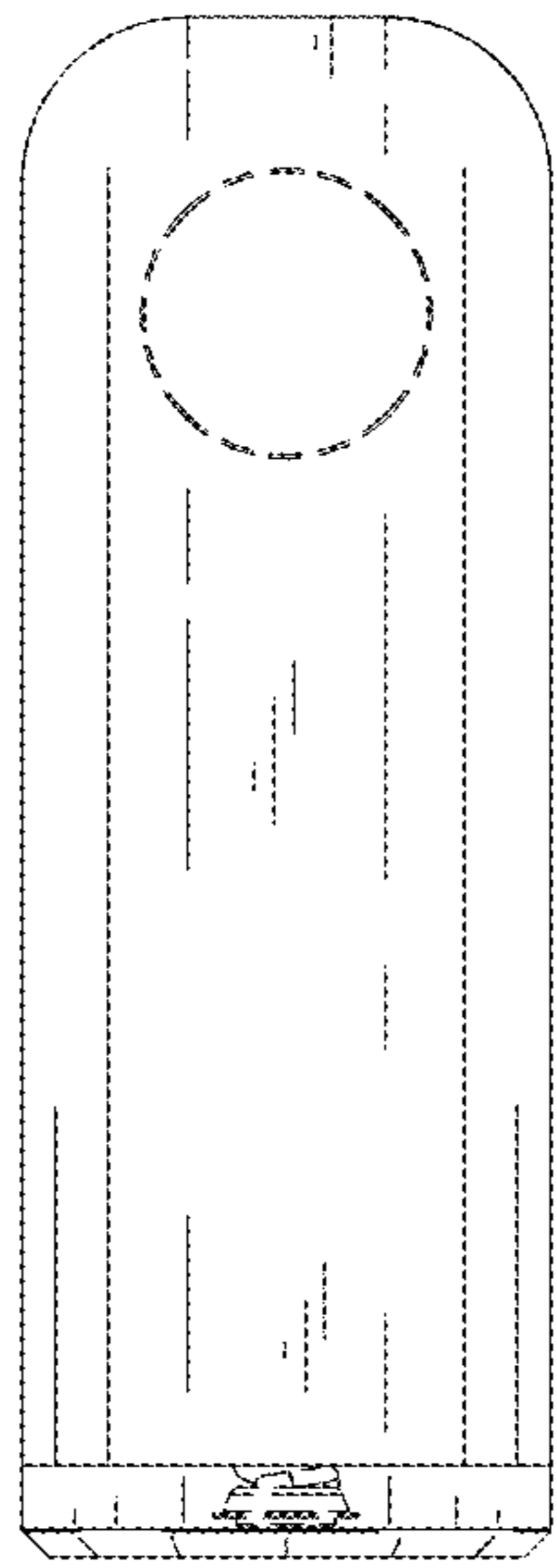


*FIG. 9*

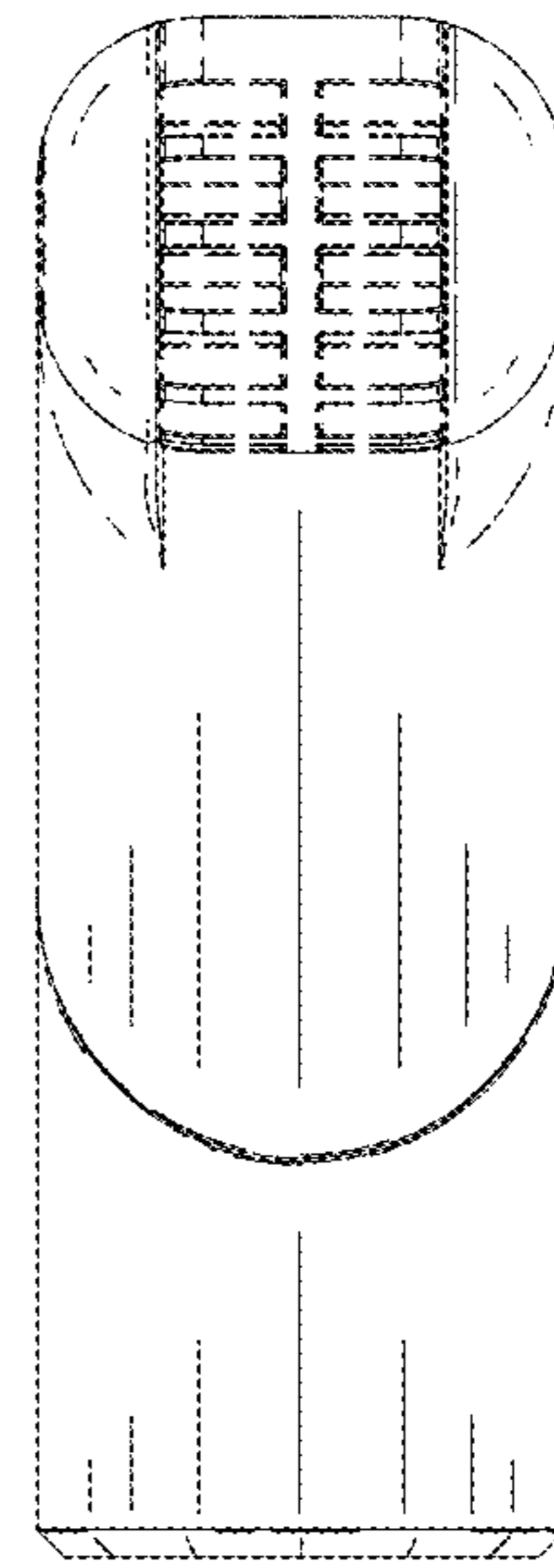


*FIG. 10*

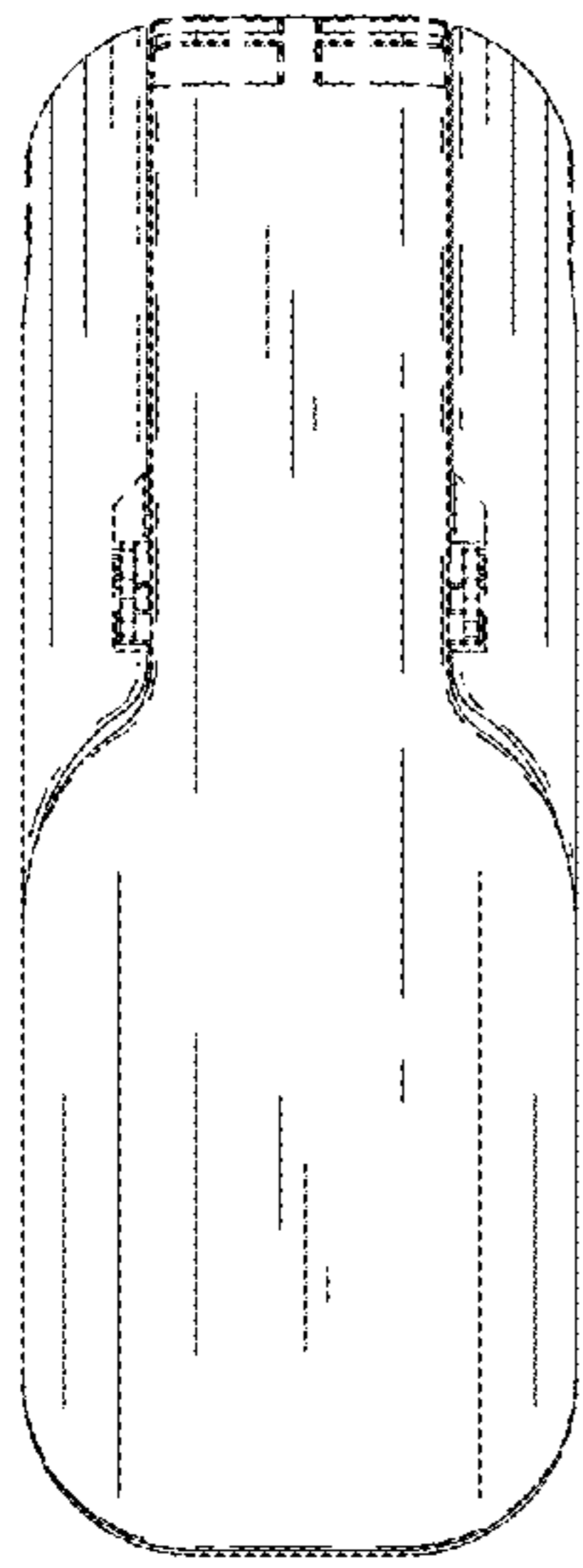




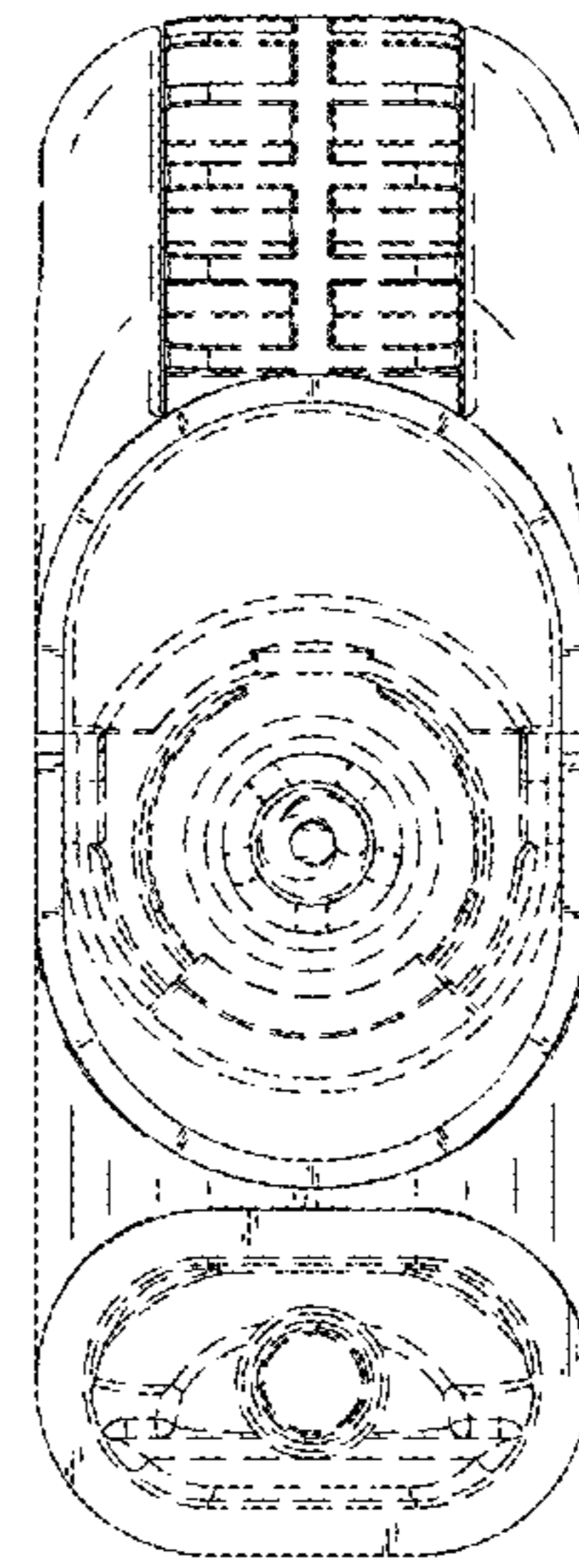
*FIG. 11*



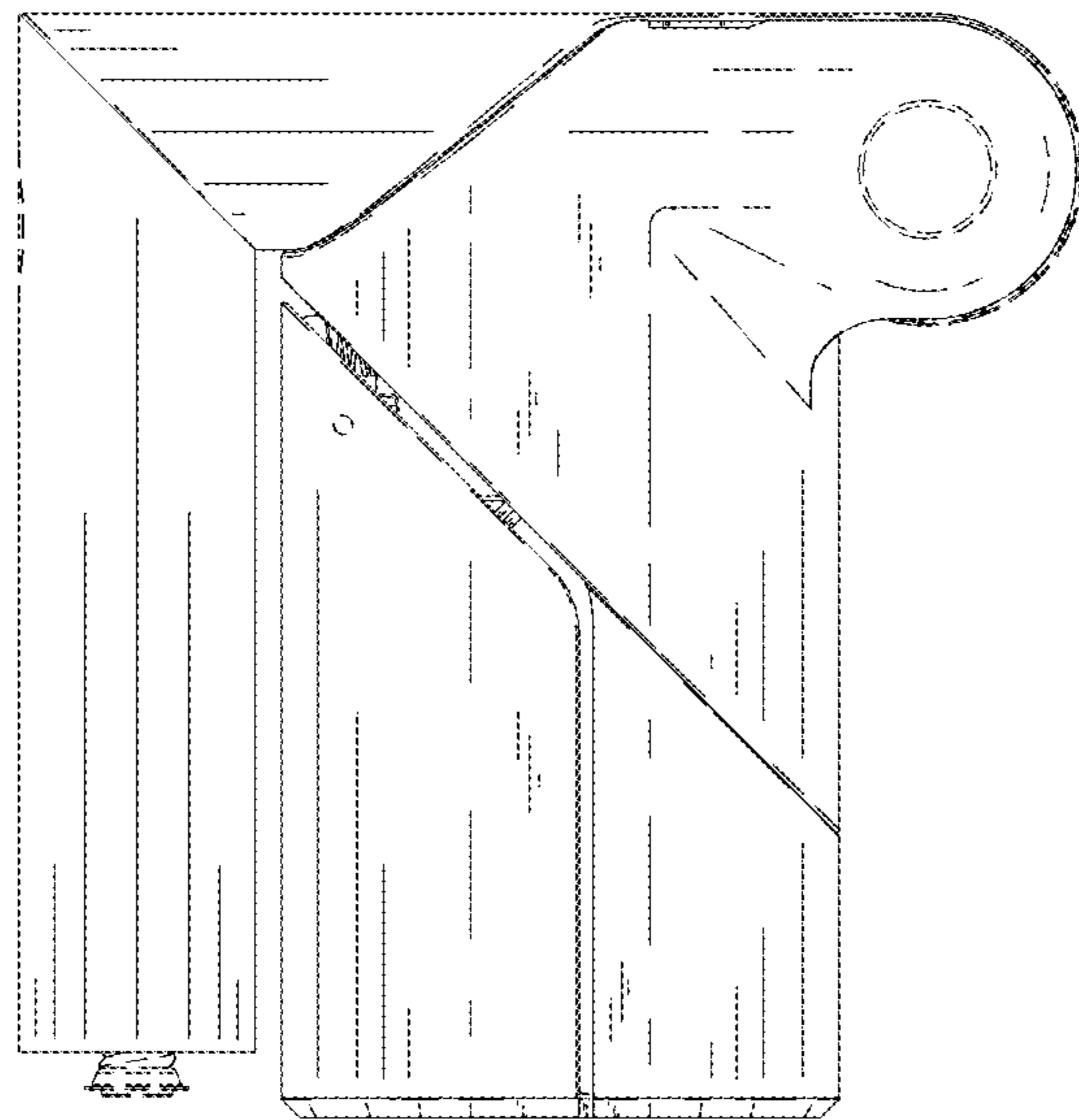
*FIG. 12*



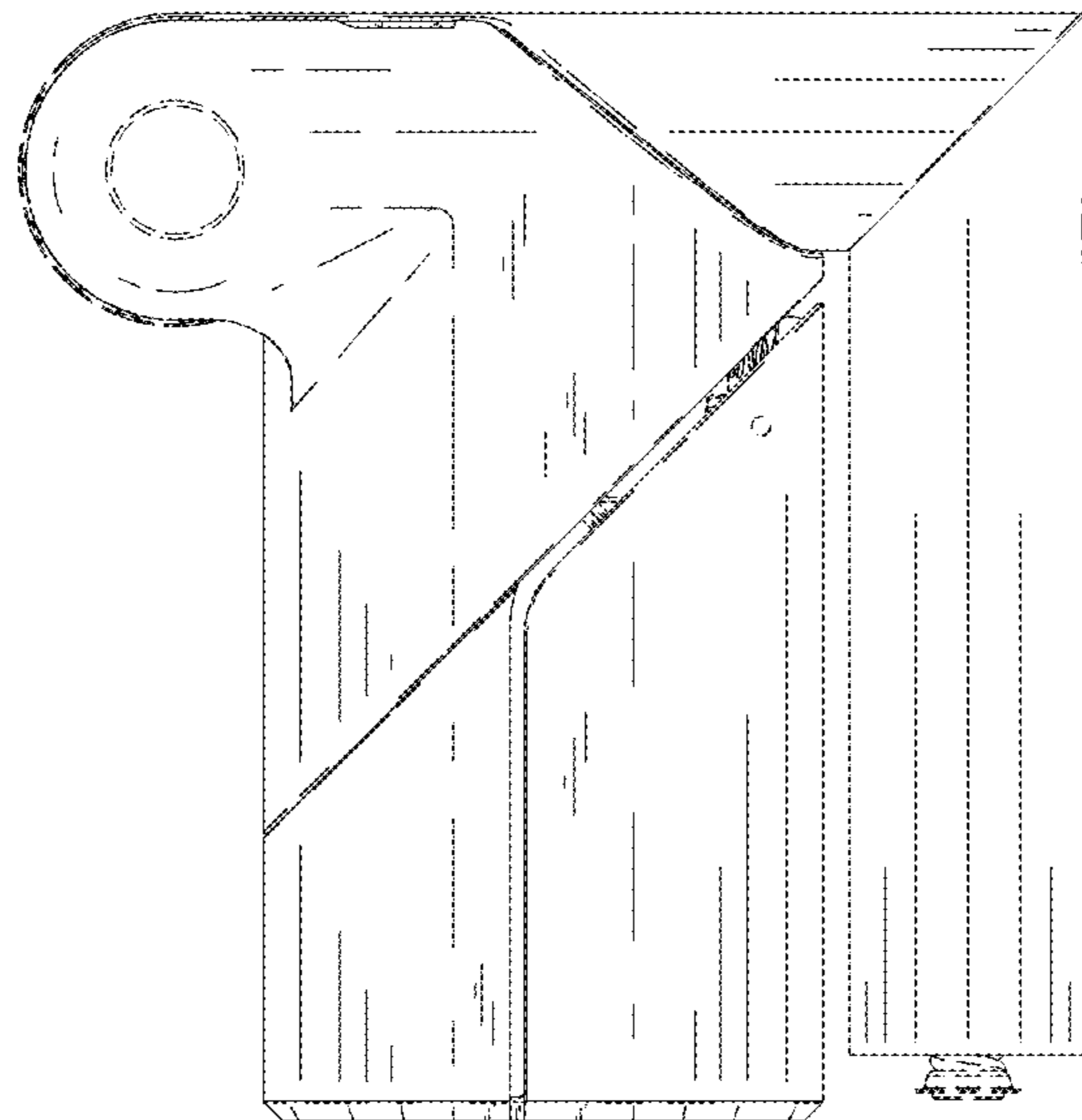
*FIG. 13*



*FIG. 14*



*FIG. 15*



*FIG. 16*