



US00D826014S

(12) **United States Design Patent**
Stalter et al.

(10) **Patent No.:** **US D826,014 S**
(45) **Date of Patent:** **** Aug. 21, 2018**

- (54) **SOCKET**
- (71) Applicants: **Kenneth R. Stalter**, Pompano Beach, FL (US); **Kevin R. Stalter**, Cary, NC (US)
- (72) Inventors: **Kenneth R. Stalter**, Pompano Beach, FL (US); **Kevin R. Stalter**, Cary, NC (US)
- (**) Term: **15 Years**
- (21) Appl. No.: **29/615,351**
- (22) Filed: **Aug. 28, 2017**

D366,996 S *	2/1996	Torres	D17/22
D371,298 S *	7/1996	Reddy	D15/140
5,862,721 A *	1/1999	Kowats	B25B 13/48
				81/121.1
D415,664 S *	10/1999	Rapoport	D8/21
D432,880 S *	10/2000	Rice	D8/29
7,024,968 B2 *	4/2006	Raudabough	A61M 5/347
				81/121.1
D551,043 S *	9/2007	Estrada	D8/29
7,365,270 B2 *	4/2008	Michaud	H01R 4/12
				174/87
D592,471 S *	5/2009	Rosko	D8/28
D760,565 S *	7/2016	Tempelmeier	D8/21
D771,453 S *	11/2016	Liu	D8/25

* cited by examiner

Primary Examiner — Randall H Gholson
(74) *Attorney, Agent, or Firm* — H. John Rizvi; Gold & Rizvi, P.A.

Related U.S. Application Data

- (63) Continuation of application No. 14/692,492, filed on Apr. 21, 2015, now abandoned.
- (51) **LOC (11) Cl.** **08-05**
- (52) **U.S. Cl.**
USPC **D8/21**; D8/29
- (58) **Field of Classification Search**
USPC D8/21–29, 44, 81–87, 102–107, 98, 99, D8/55, 93, 94; 81/60–63.2, 177.1, 81/177.85, 177.8, 489, 125.1, 121.1, 81/119–120, 176.1, 186, 177.9, 185.1, 81/176.2, 165, 170, 3.35, 58, 3.345, 155; 206/378; 16/429, 441, 124.6; 7/100, 7/138, 168, 157; D24/146
CPC B25B 13/48; B25B 13/02; B25B 13/04
See application file for complete search history.

(57) **CLAIM**

We claim the ornamental design for a socket, as shown and described.

DESCRIPTION

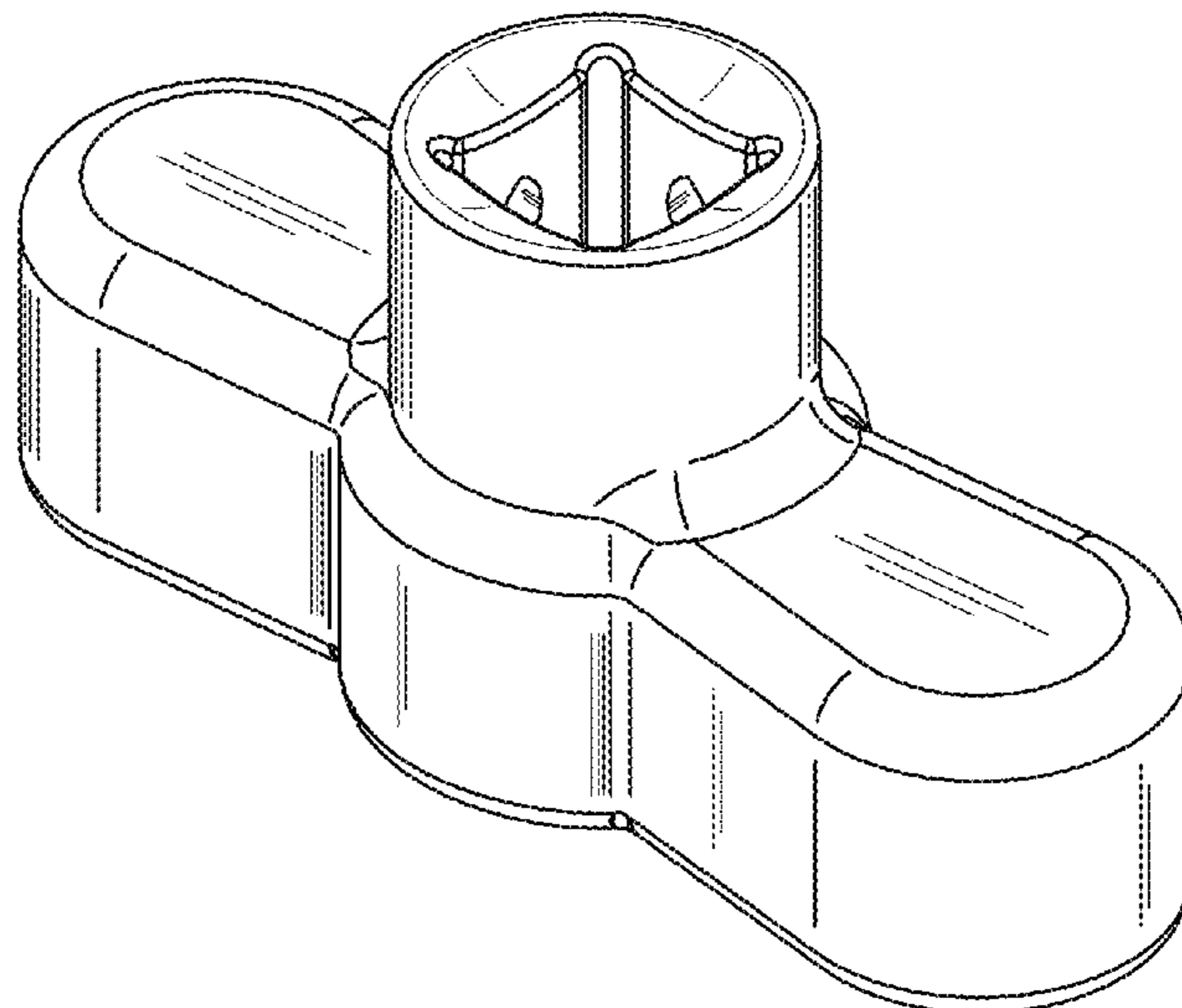
FIG. 1 is a top isometric view of a socket showing our new design;
FIG. 2 is a bottom isometric view thereof;
FIG. 3 is a front elevation view thereof;
FIG. 4 is a right side elevation view thereof;
FIG. 5 is a top plan view thereof; and,
FIG. 6 is a bottom plan view thereof.
A design rear elevation view has been omitted, as it is a mirror image of the front elevation view of FIG. 3.
A design left side elevation view has been omitted, as it is a mirror image of the right side elevation view of FIG. 4.

(56) **References Cited**

U.S. PATENT DOCUMENTS

- 4,823,650 A * 4/1989 Tuttle B25B 13/5091
- | | | 81/124.2 |- D303,342 S * 9/1989 Katz D8/29

1 Claim, 6 Drawing Sheets



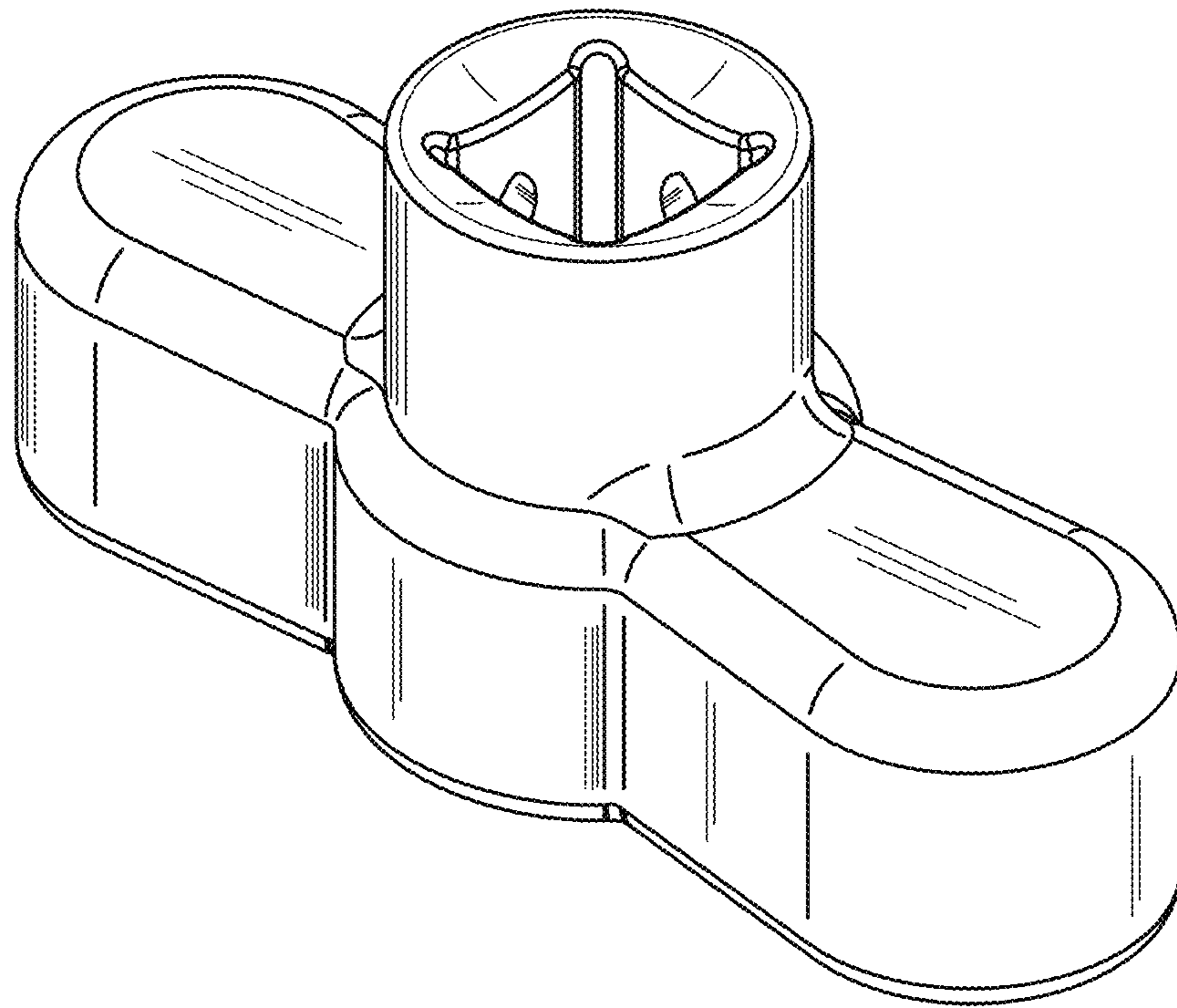


FIG. 1

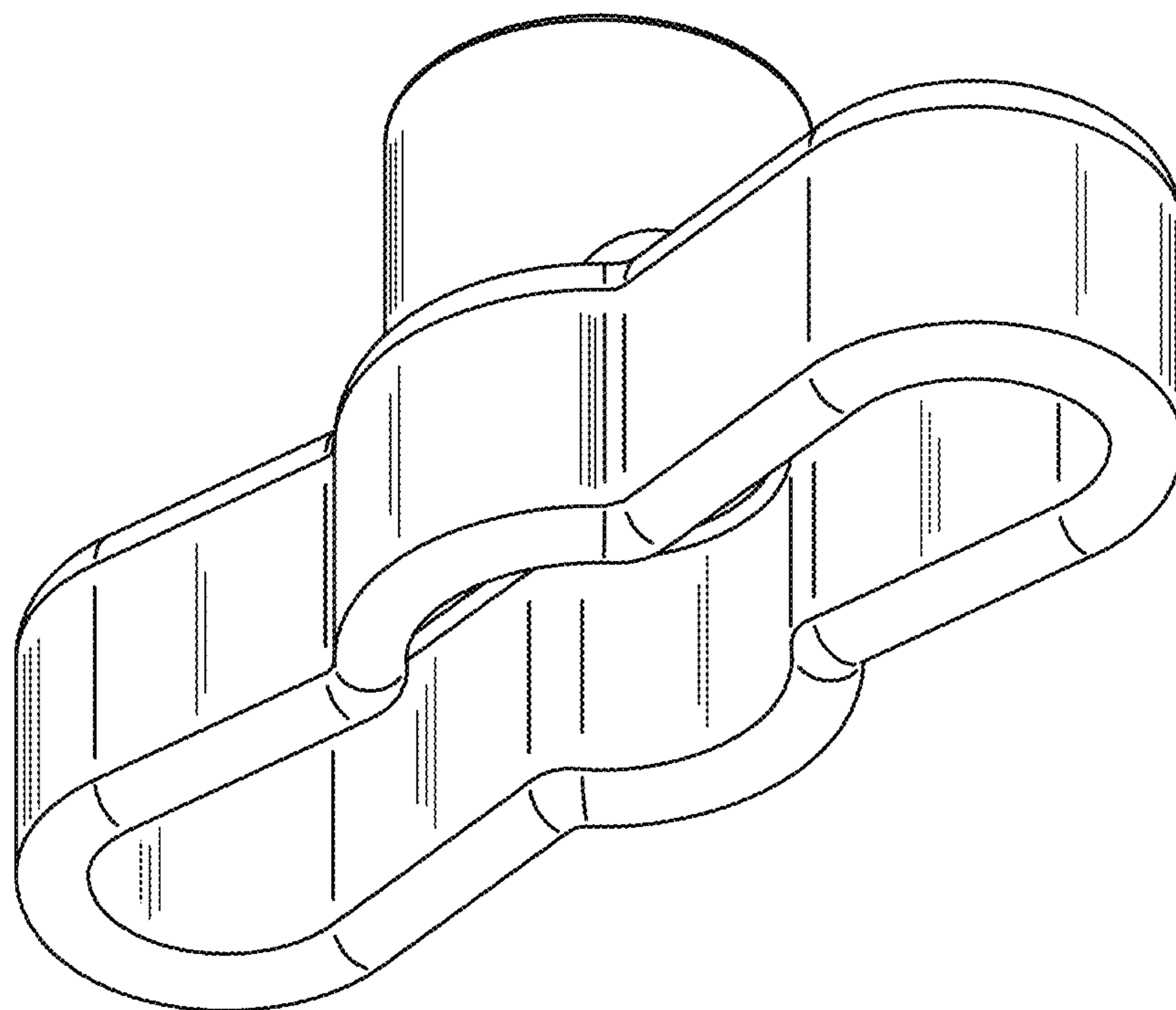


FIG. 2

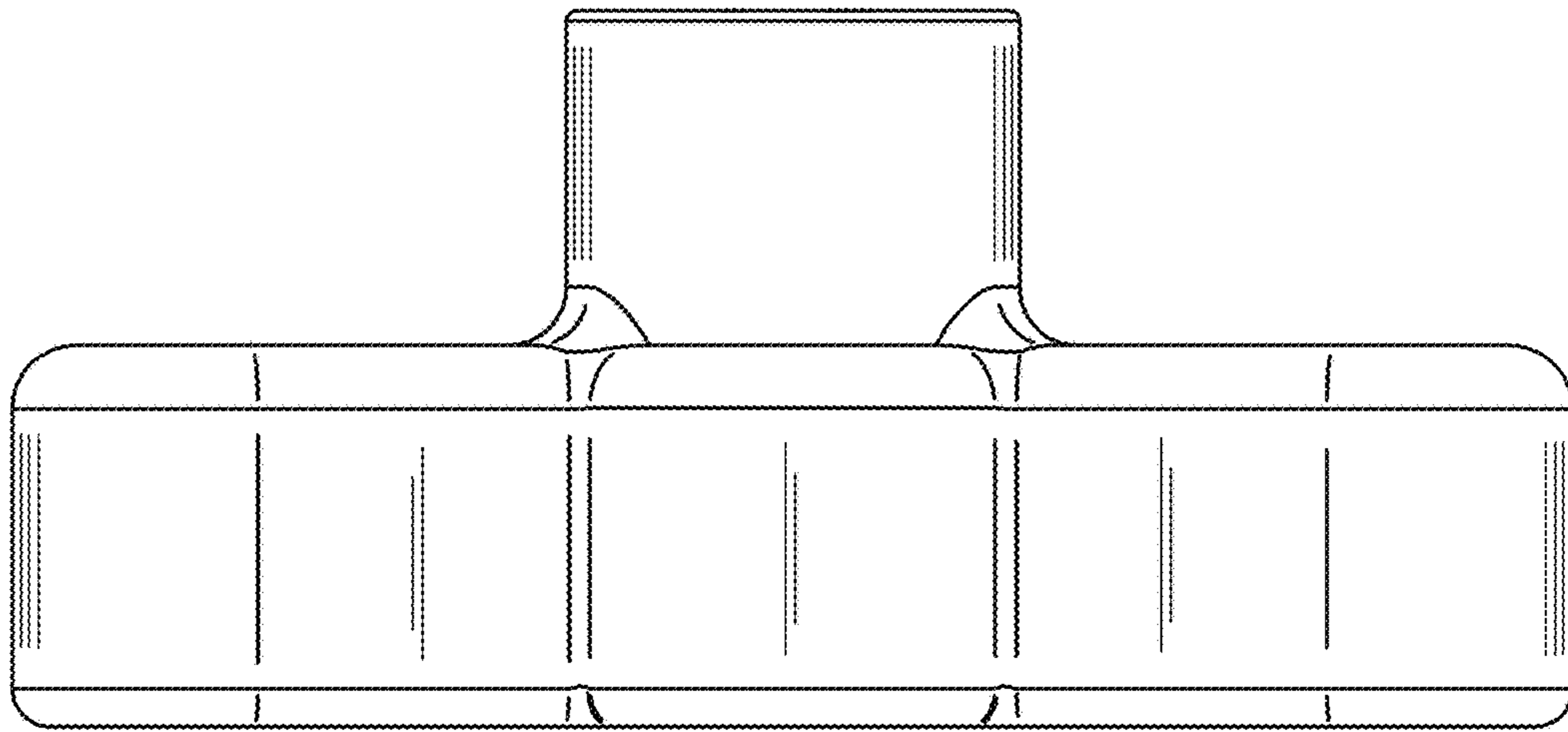


FIG. 3

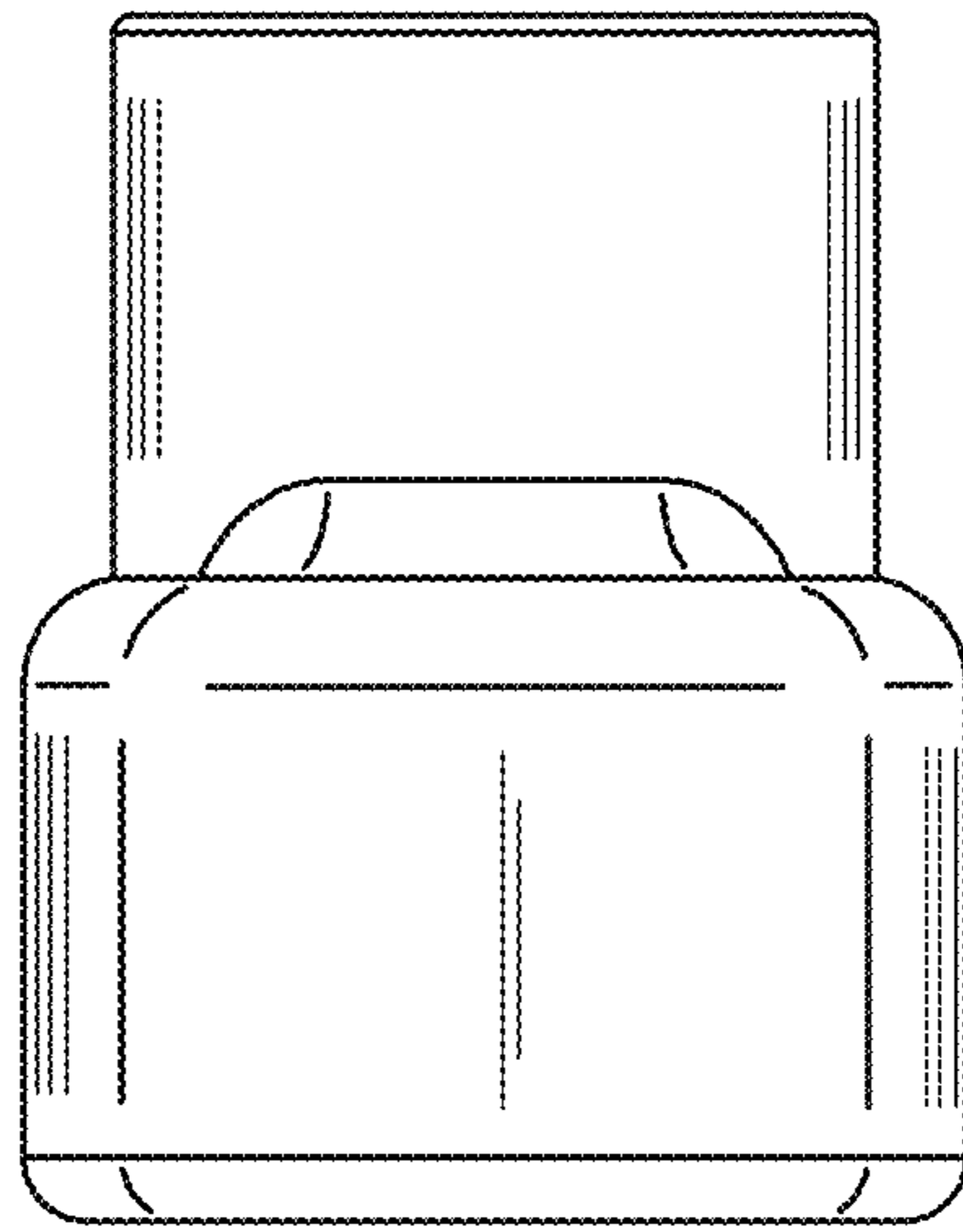


FIG. 4

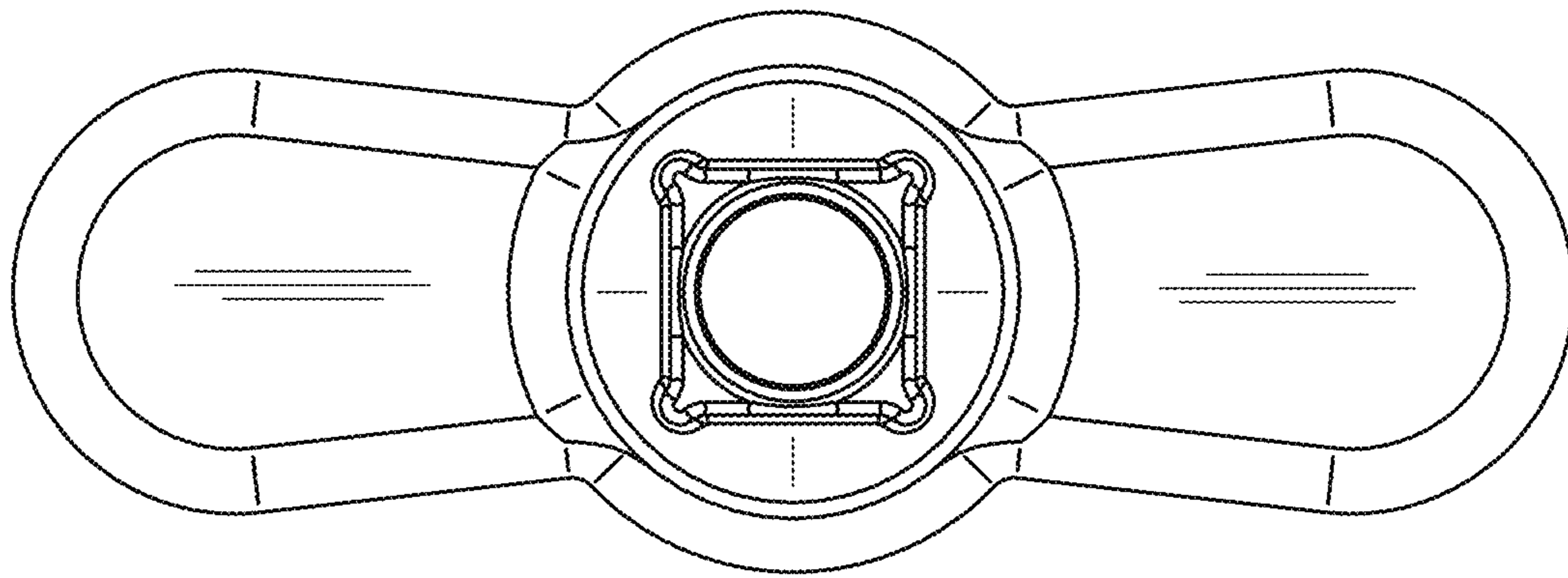


FIG. 5

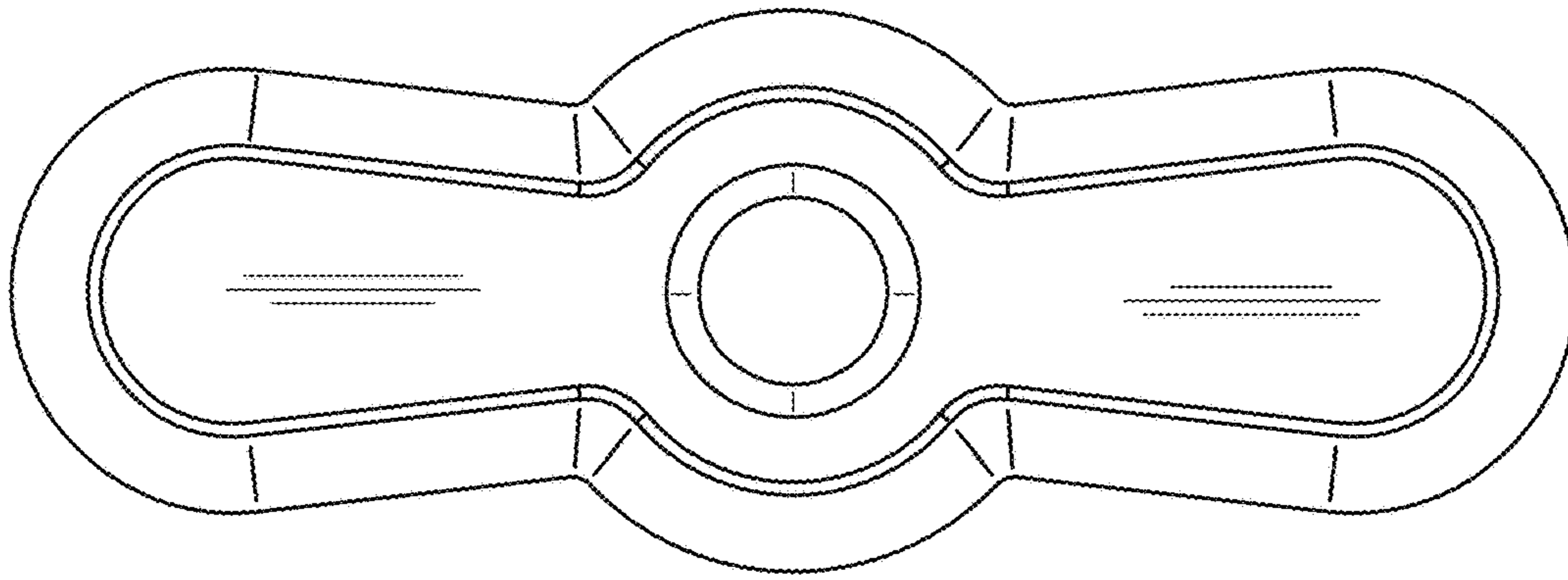


FIG. 6