



US00D826012S

(12) **United States Design Patent**
Stewart et al.

(10) **Patent No.:** **US D826,012 S**

(45) **Date of Patent:** **** Aug. 21, 2018**

(54) **FUNNEL**

(71) Applicants: **Paul Alan Stewart**, Mobile, AL (US);
Adam Paul Stewart, Mobile, AL (US)

(72) Inventors: **Paul Alan Stewart**, Mobile, AL (US);
Adam Paul Stewart, Mobile, AL (US)

(**) Term: **15 Years**

(21) Appl. No.: **29/593,220**

(22) Filed: **Feb. 7, 2017**

(51) **LOC (11) Cl.** **07-99**

(52) **U.S. Cl.**
USPC **D7/700**

(58) **Field of Classification Search**
USPC D7/400, 667, 398; D9/440, 436, 524,
D9/712; D23/209, 302; D10/46.2;
D1/105, 116; D24/122
CPC A61J 11/04; A61J 9/00; B01F 15/00915;
B65B 39/00; B65B 39/04; B65D 35/38;
B65D 47/06; B67C 11/02; A47J 31/06;
C02F 1/003
See application file for complete search history.

(56) **References Cited**

U.S. PATENT DOCUMENTS

D267,536 S *	1/1983	Findlay	D7/318
4,550,024 A *	10/1985	le Granse	A47J 31/02
				426/112
D341,992 S *	12/1993	Gasser	D7/400
D360,106 S *	7/1995	Sintchak	D7/399
D370,051 S *	5/1996	Samson	D23/209
D460,660 S *	7/2002	Fischer	D7/400
D486,355 S *	2/2004	Lyall, III	D7/400
D641,266 S *	7/2011	Tamura	D10/46.2

D793,157 S *	8/2017	D'Amico	D7/400
9,820,604 B2 *	11/2017	Banning	A47J 31/06
D806,486 S *	1/2018	Lopez	D7/700
2016/0029830 A1 *	2/2016	Banning	A47J 31/06
				99/280
2017/0258261 A1 *	9/2017	Clark	A47J 31/44

OTHER PUBLICATIONS

Webstaurant Store, Wilbur Curtis WC-3621-101 Cone, Publication date unknown, [site visited Feb. 13, 2018], Available on the Internet URL <https://www.webstaurantstore.com/wilbur-curtis-wc-3621-101-cone/HPWC3621101.html>.*

* cited by examiner

Primary Examiner — Karen S Acker
Assistant Examiner — Steven B Reinholdt, Jr.
(74) *Attorney, Agent, or Firm* — Thomas L. Moses;
Southeast IP Group, LLC

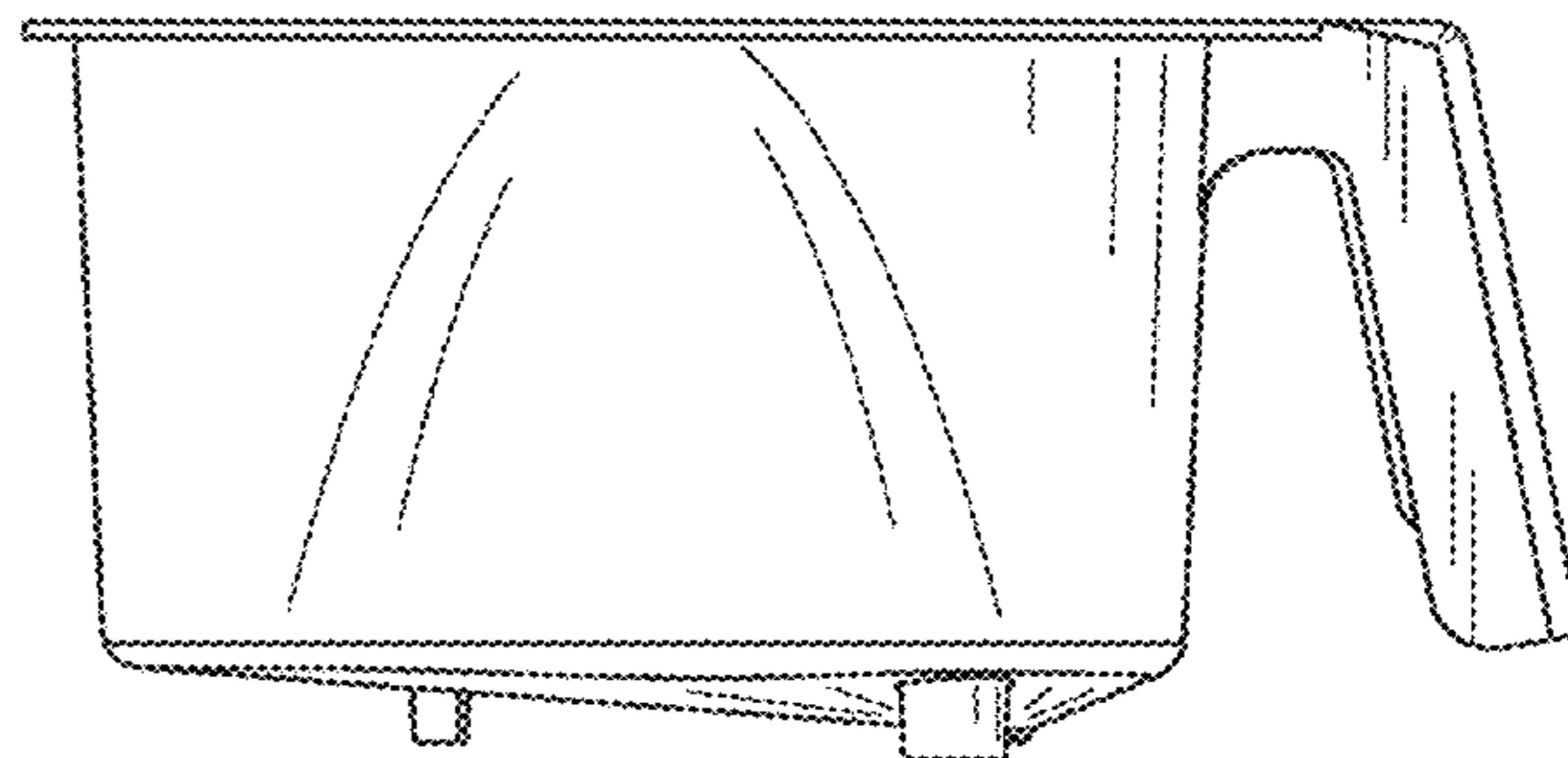
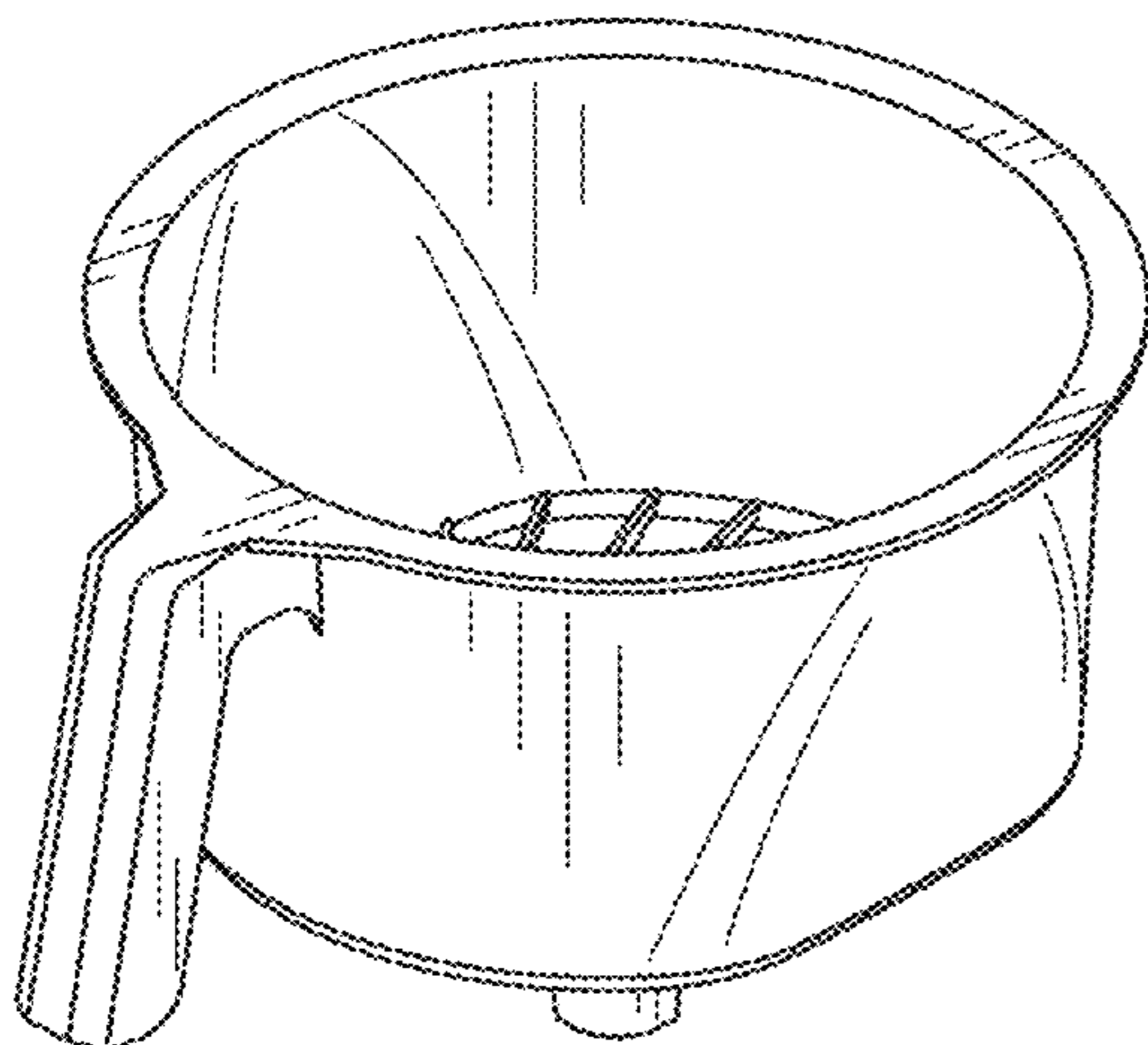
(57) **CLAIM**

The ornamental design for the funnel, as shown and described.

DESCRIPTION

FIG. 1 is a perspective view of my design for a funnel;
FIG. 2 is a top view thereof;
FIG. 3 is a front view thereof;
FIG. 4 is a left side view thereof;
FIG. 5 is a right side view thereof;
FIG. 6 is a rear view thereof; and,
FIG. 7 is a bottom view thereof.

1 Claim, 4 Drawing Sheets



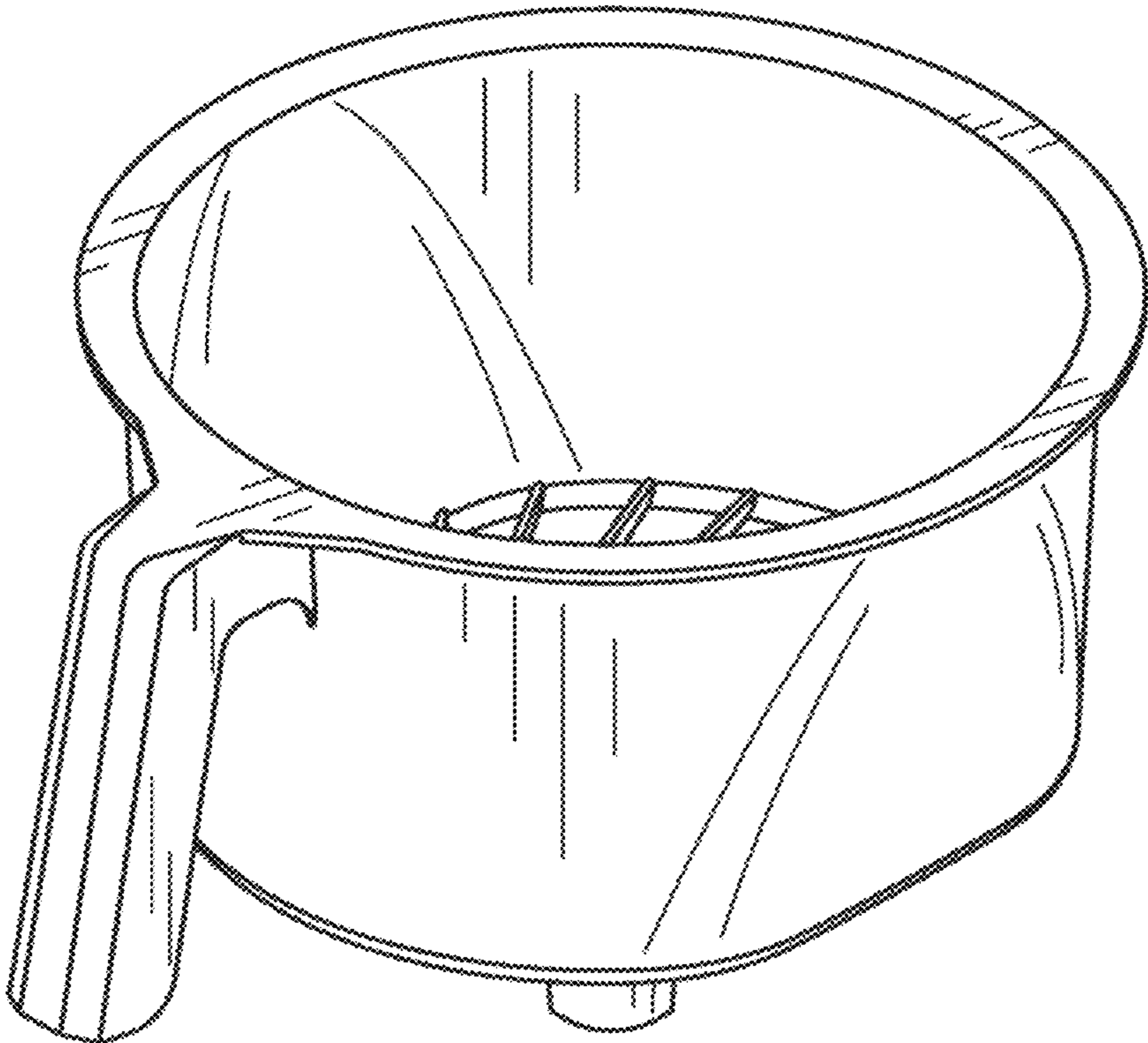


FIG. 1

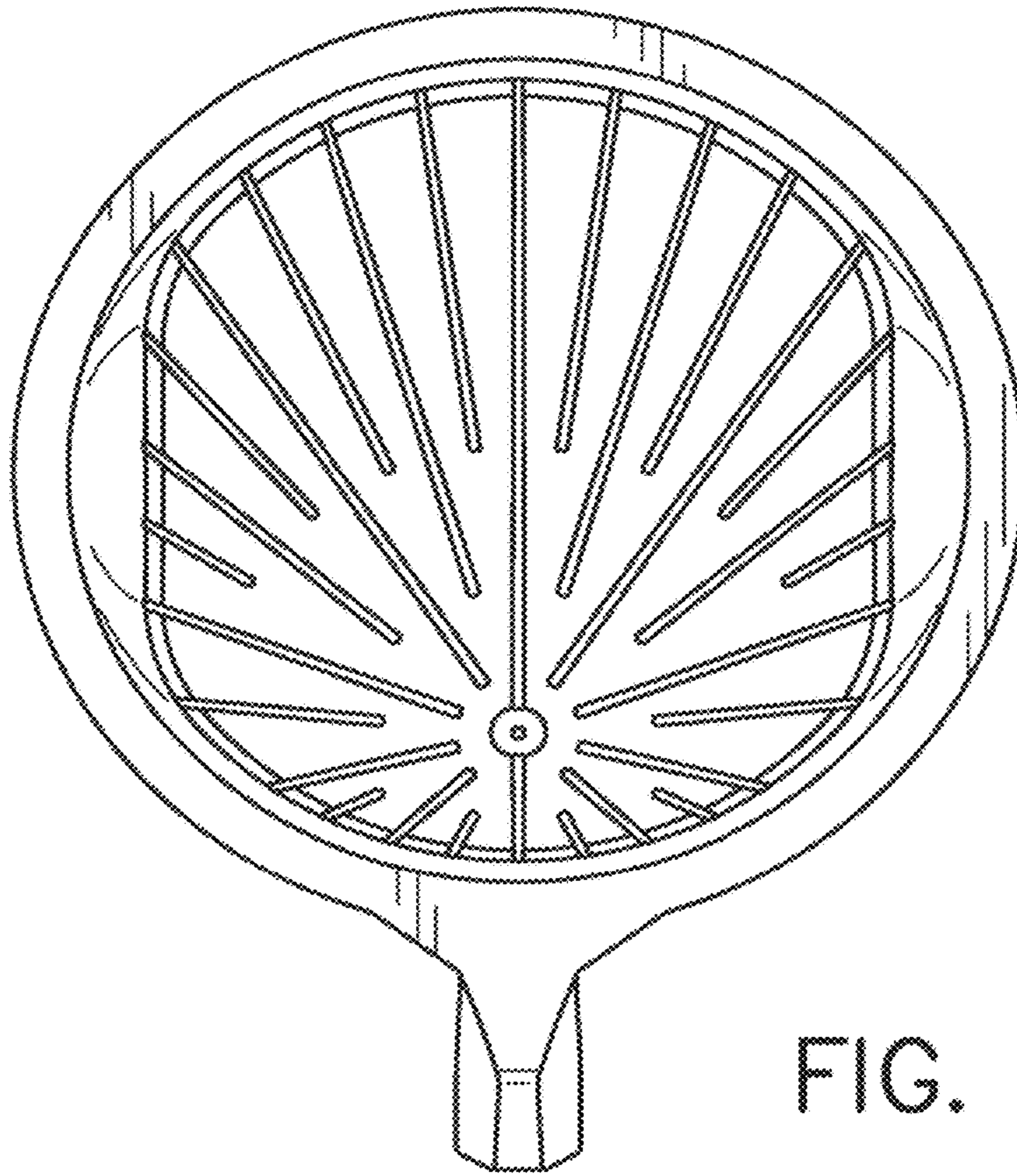


FIG. 2

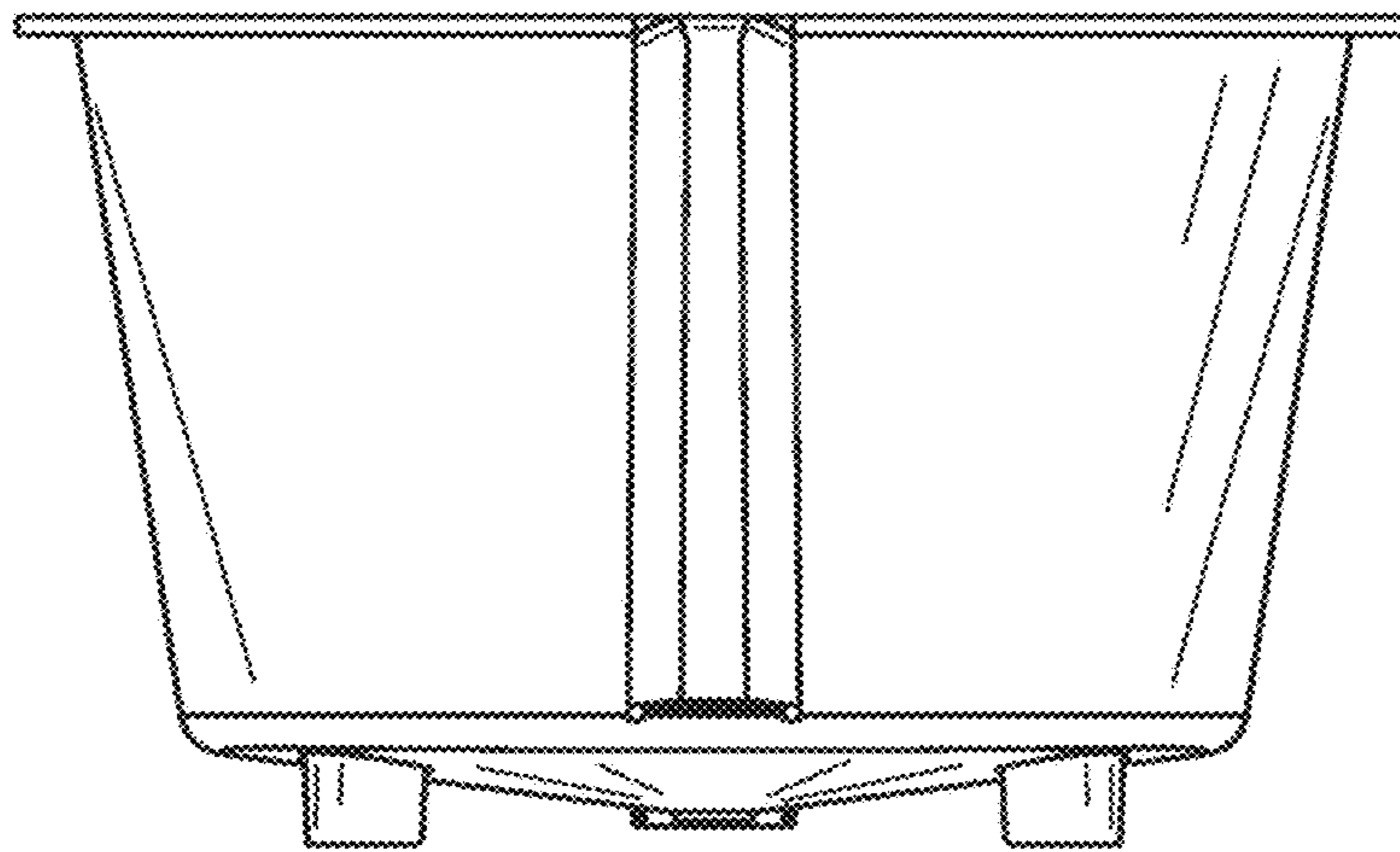


FIG. 3

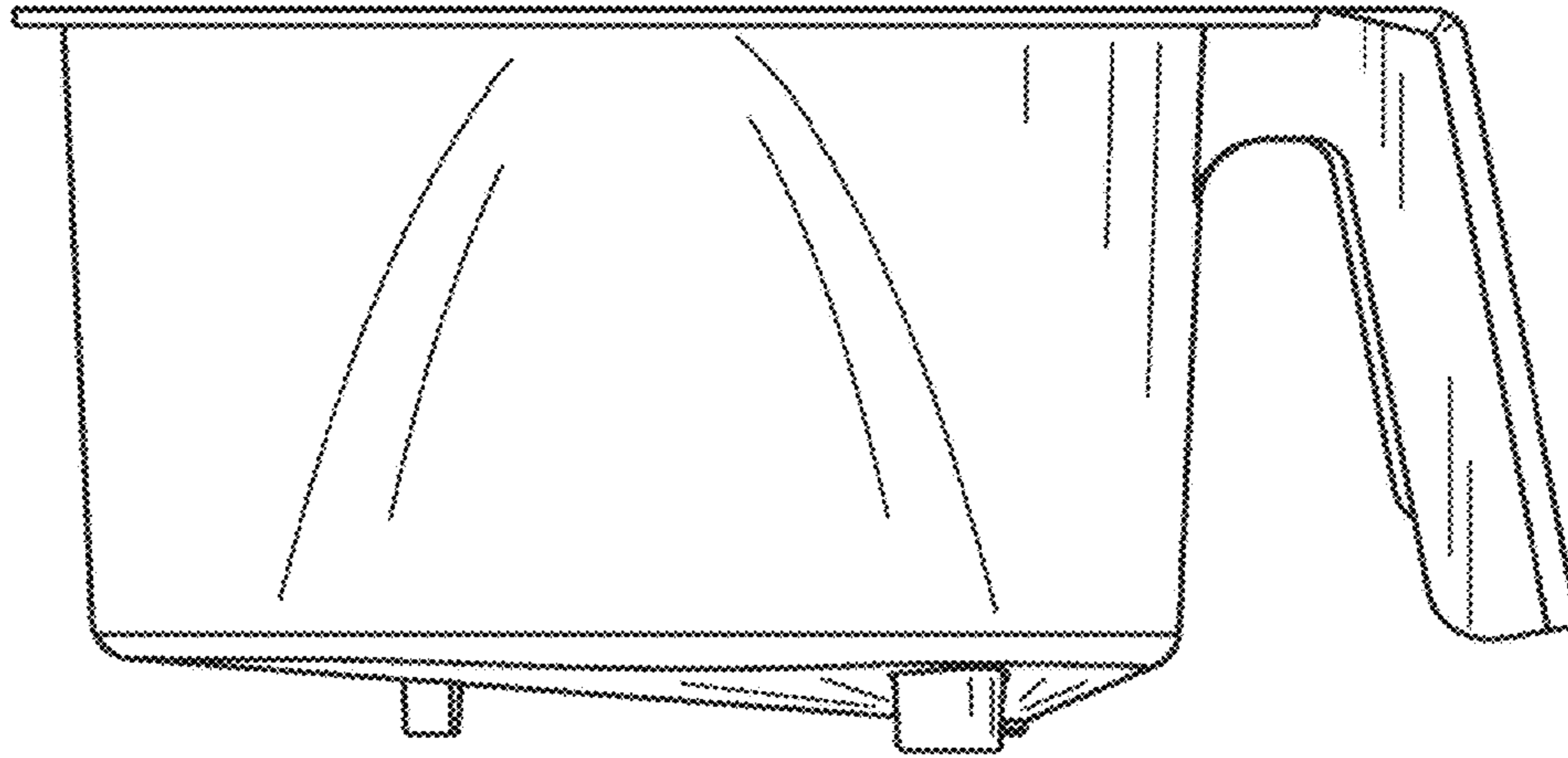


FIG. 4

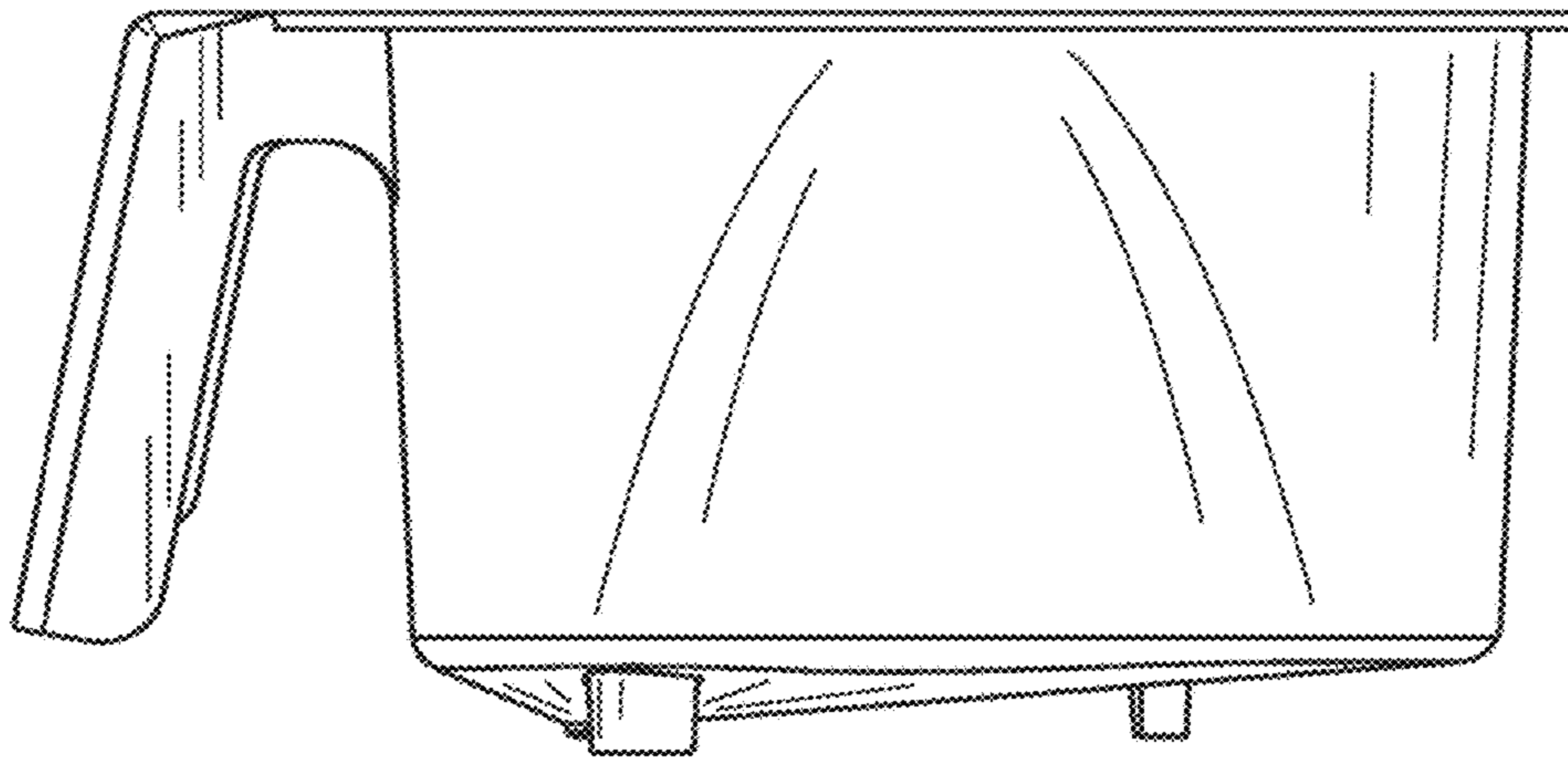


FIG. 5

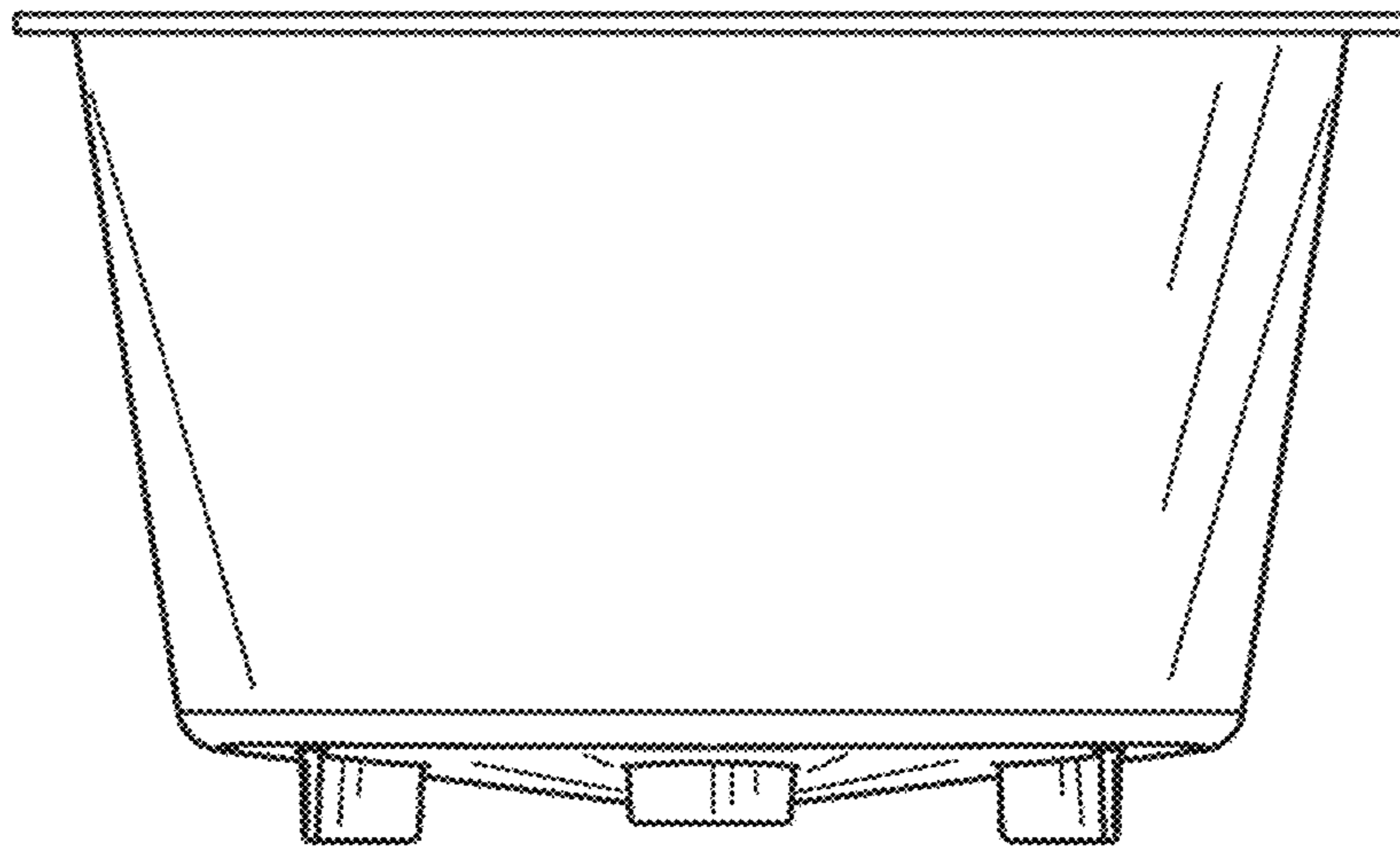


FIG. 6

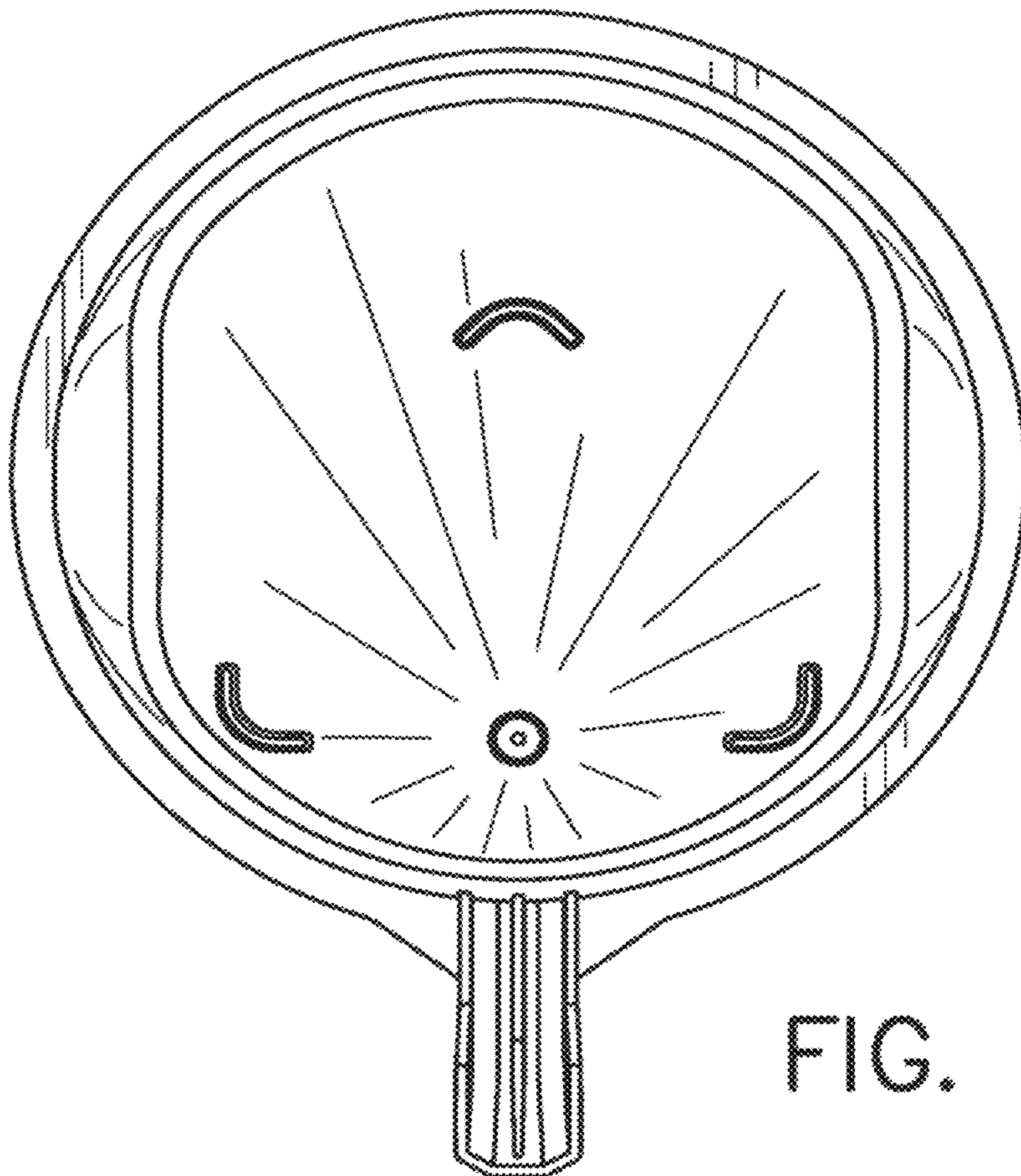


FIG. 7