



US00D826011S

(12) **United States Design Patent** (10) **Patent No.:** **US D826,011 S**  
**Schindel (Heinlein)** (45) **Date of Patent:** **\*\* Aug. 21, 2018**

(54) **TWO SIDE CUTTING BOARD WITH SUPPORT BASE**

*Primary Examiner* — Ricky Pham

(71) Applicant: **Barbara Ann Schindel (Heinlein)**,  
Fond du Lac, WI (US)

(57) **CLAIM**

(72) Inventor: **Barbara Ann Schindel (Heinlein)**,  
Fond du Lac, WI (US)

The ornamental design for a two side cutting board with support base, as shown and described.

(\*\*) Term: **15 Years**

(21) Appl. No.: **29/620,113**

**DESCRIPTION**

(22) Filed: **Jul. 7, 2016**

(51) **LOC (11) Cl.** ..... **07-04**

(52) **U.S. Cl.**  
USPC ..... **D7/698**

(58) **Field of Classification Search**  
USPC ..... D7/543, 549, 550.1, 586, 698–699;  
D32/55–57  
CPC ..... A47J 47/00; A47J 47/005; A47J 47/20;  
B26D 7/0006; B26D 7/018; B26D 7/20;  
B23D 21/00; B23K 37/04; B23K 37/053;  
B23Q 16/001  
See application file for complete search history.

FIG. 1 is a front perspective view of a two side cutting board resting in the support base with hand grips facing upward, showing my new design;  
FIG. 2 is a front perspective view, with the hand grips resting in the support base thereof;  
FIG. 3 is a front perspective view with the hand grips facing to the right side, (hand grips facing to the left is a mirror image) resting in the support base thereof;  
FIG. 4 is a front perspective view laying flat on a flat surface thereof;  
FIG. 5 is a perspective view of the back cutting side thereof;  
FIG. 6 is a perspective view of the back cutting side facing forward resting in the support base thereof;  
FIG. 7 is a perspective view of the top slot, of the support base, facing forward thereof.  
FIG. 8 is a perspective view of left side edge (the right side edge being a mirror image) thereof;  
FIG. 9 is a perspective view of left width end edge (the right width end being a mirror image) thereof; and,  
FIG. 10 is a perspective view of the bottom of the support base thereof.  
The claimed design for the cutting board, front side, (FIG. 1) is ornamental with design, decorative in shape, it holds character while it lays flat on a surface (FIG. 4) or rest in the support base (FIG. 1). The portions shown in broken lines are not part of the design as claimed.

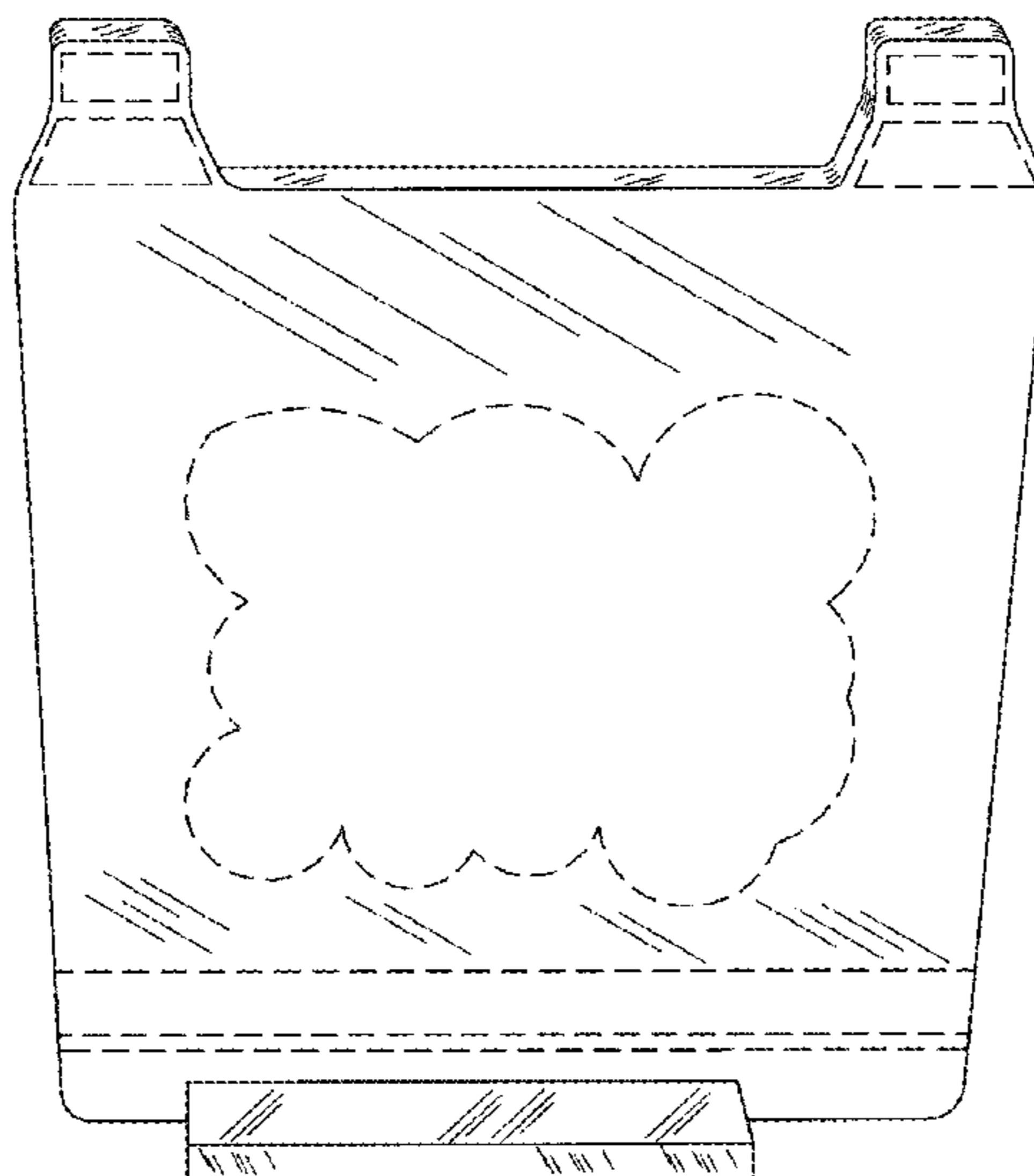
(56) **References Cited**

**U.S. PATENT DOCUMENTS**

D359,664 S *	6/1995	Alley	.....	D7/698
D441,261 S *	5/2001	Stein	.....	D7/698
D510,001 S *	9/2005	Farmer	.....	D7/699
D615,829 S *	5/2010	Shamoon	.....	D7/699
D616,264 S *	5/2010	Shamoon	.....	D7/699
D640,513 S *	6/2011	Cornu	.....	D7/698
D664,818 S *	8/2012	Buffington	.....	D7/698
D684,022 S *	6/2013	Kim	.....	D7/698
D694,594 S *	12/2013	Shamoon	.....	D7/699
D757,506 S *	5/2016	Evans	.....	D7/698
D804,259 S *	12/2017	Donald	.....	D7/698

\* cited by examiner

**1 Claim, 10 Drawing Sheets**



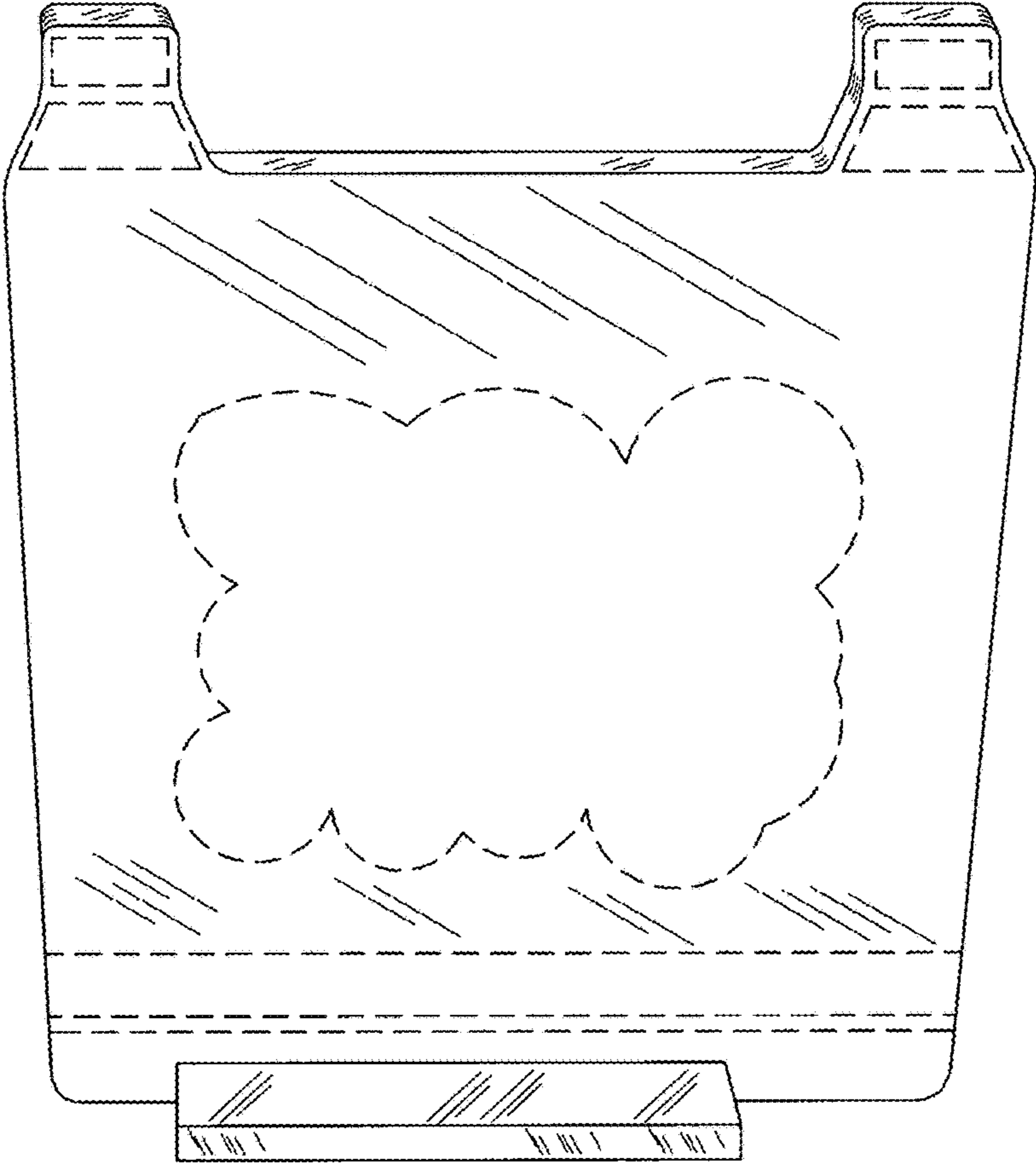


FIG. 1

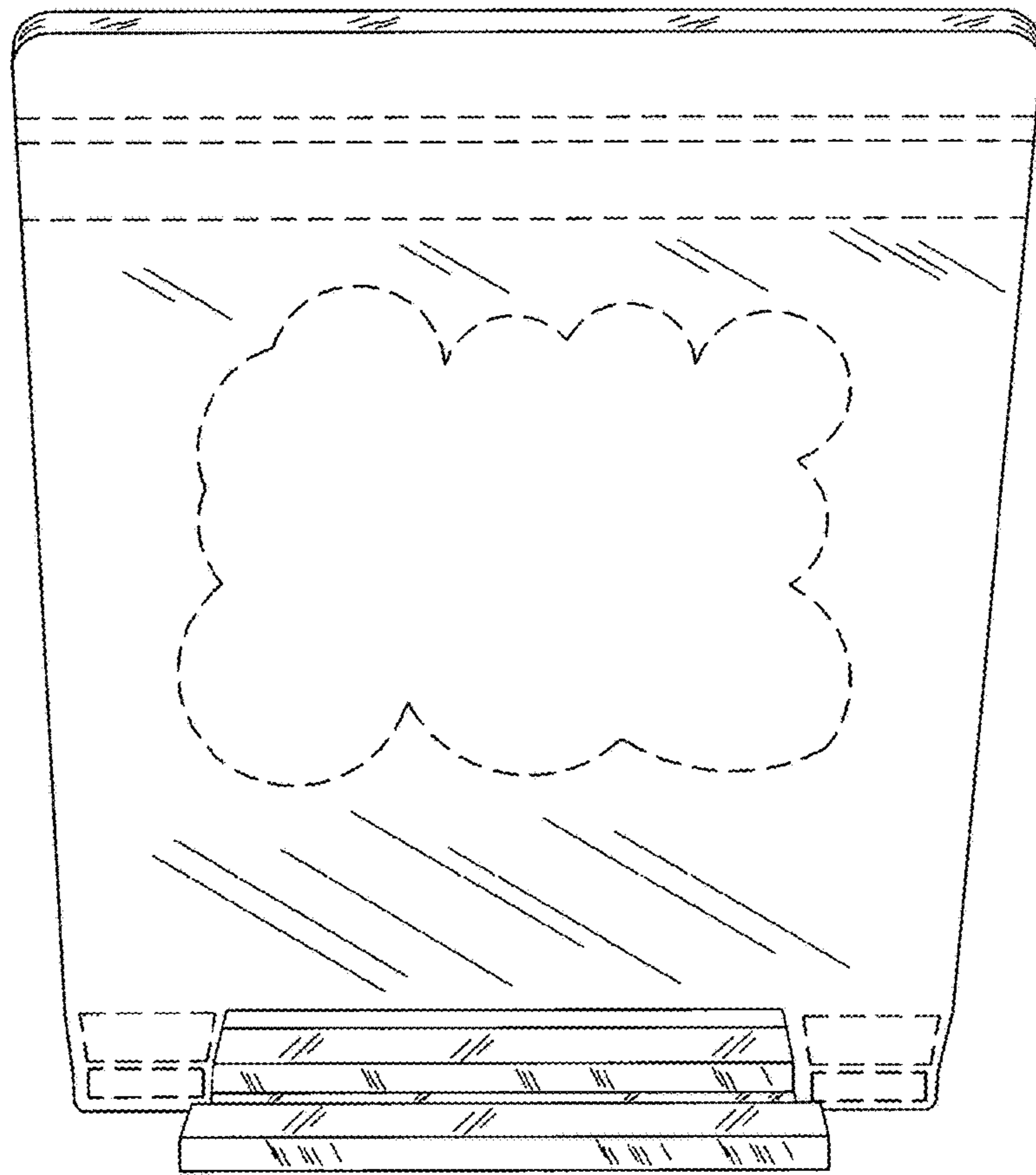


FIG. 2

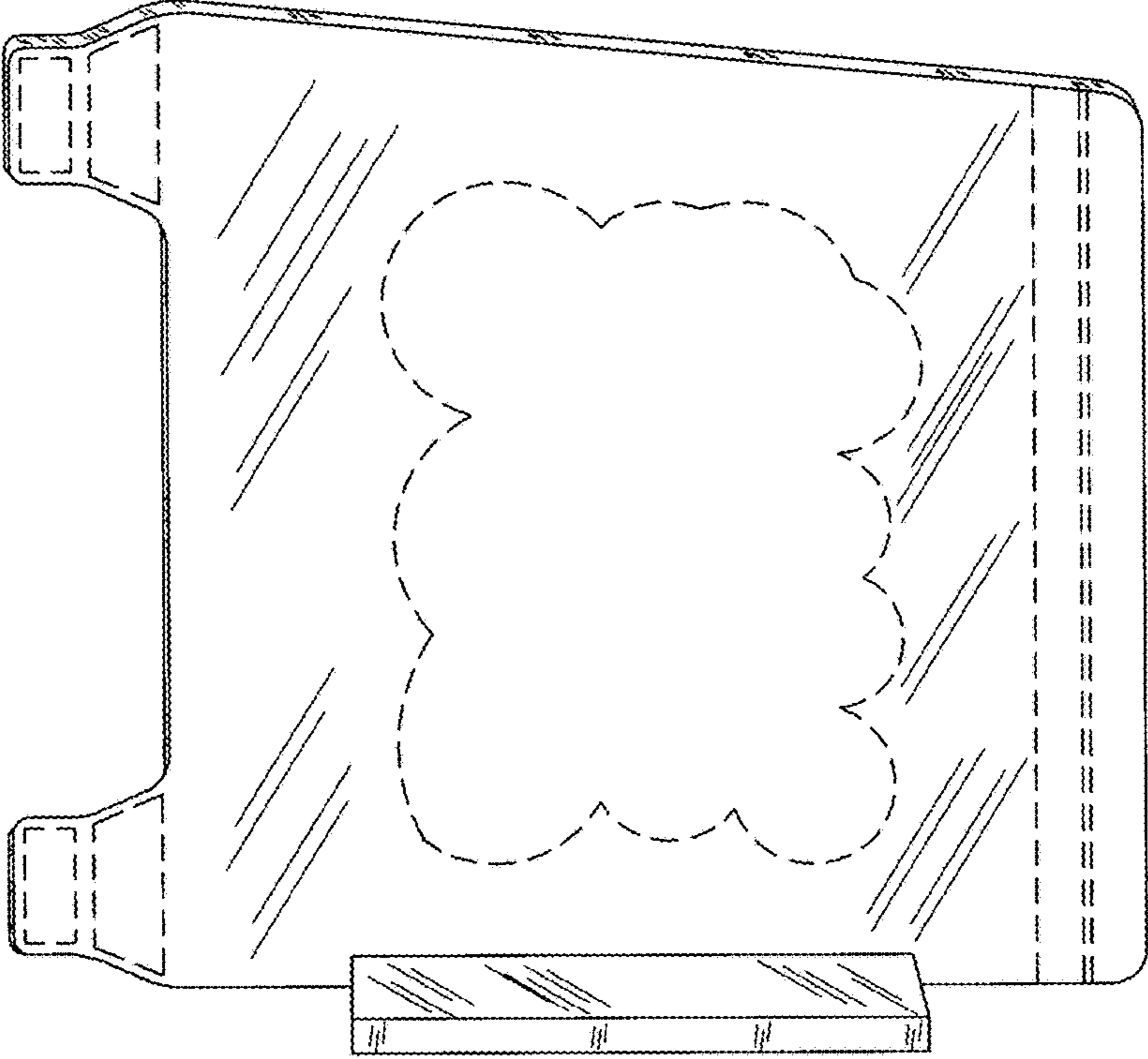


FIG. 3

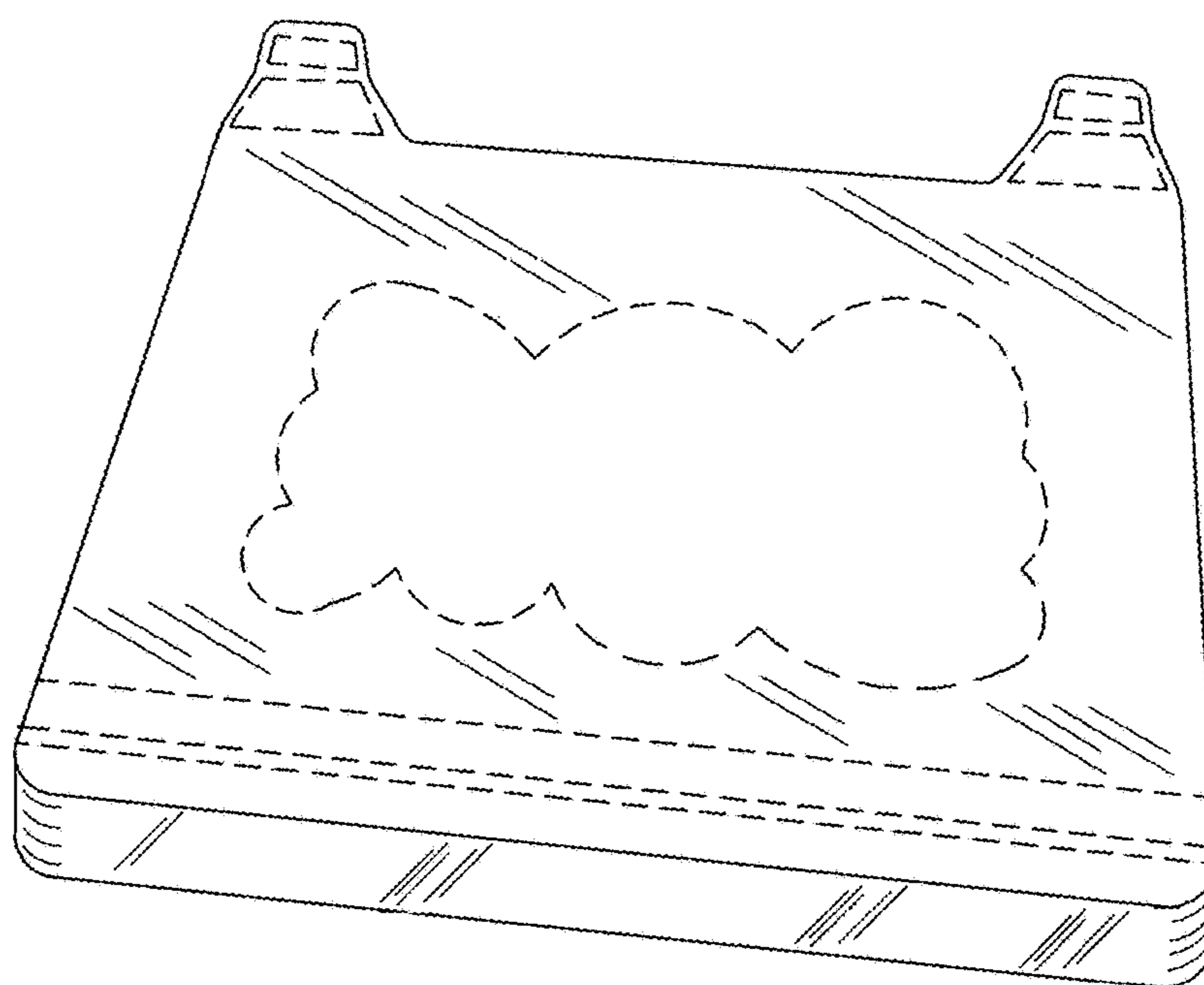


FIG. 4

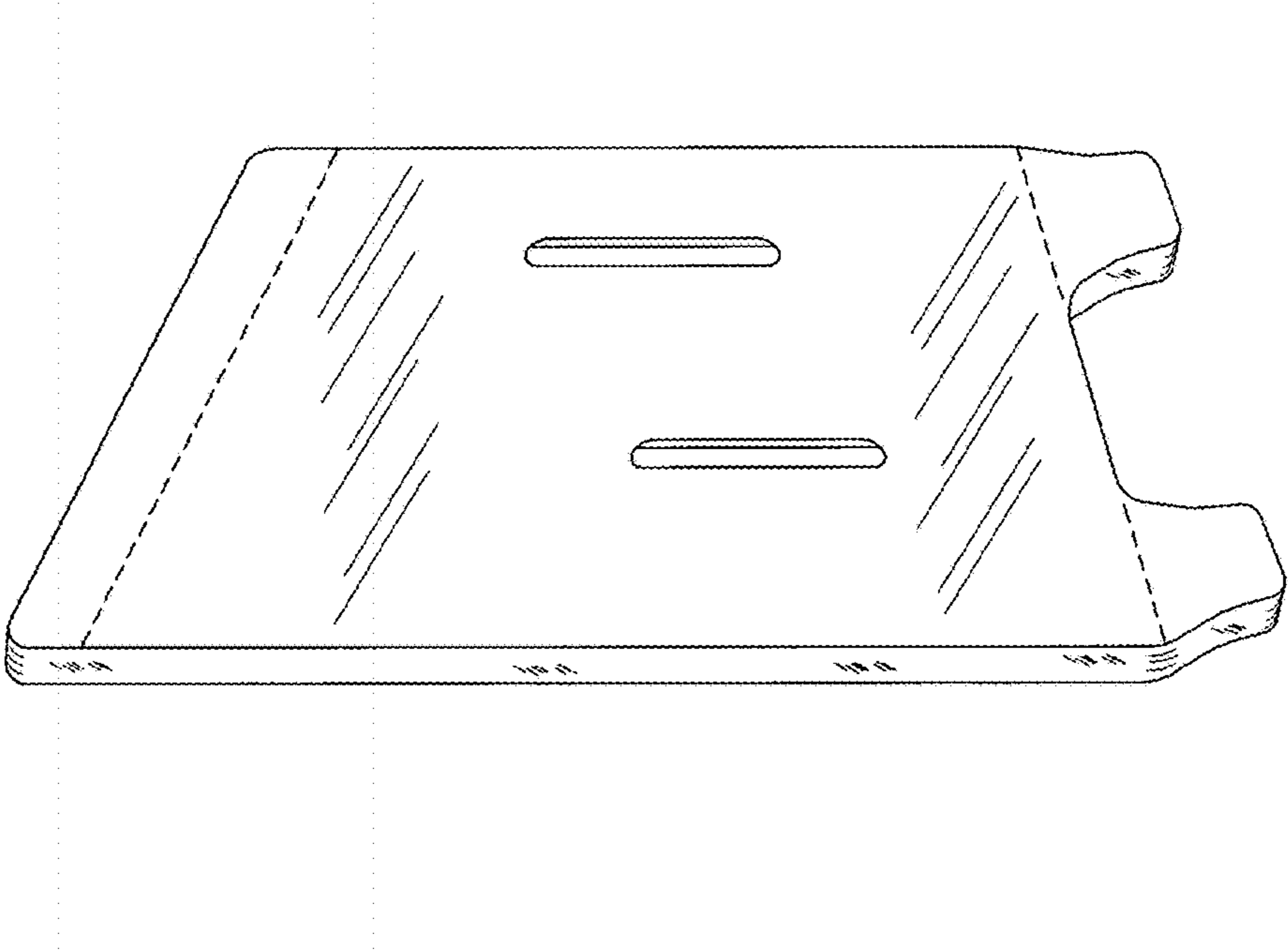


FIG. 5

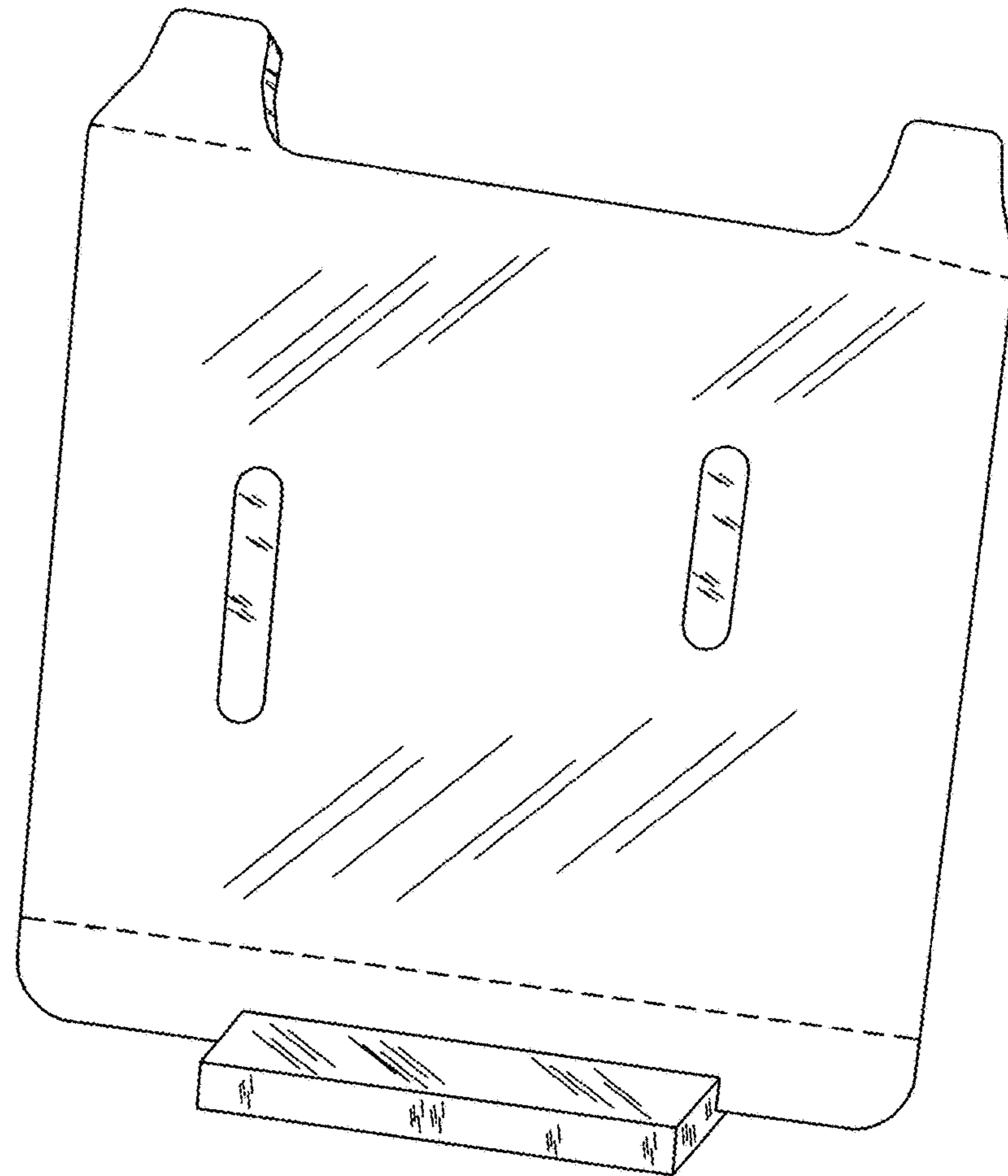


FIG. 6

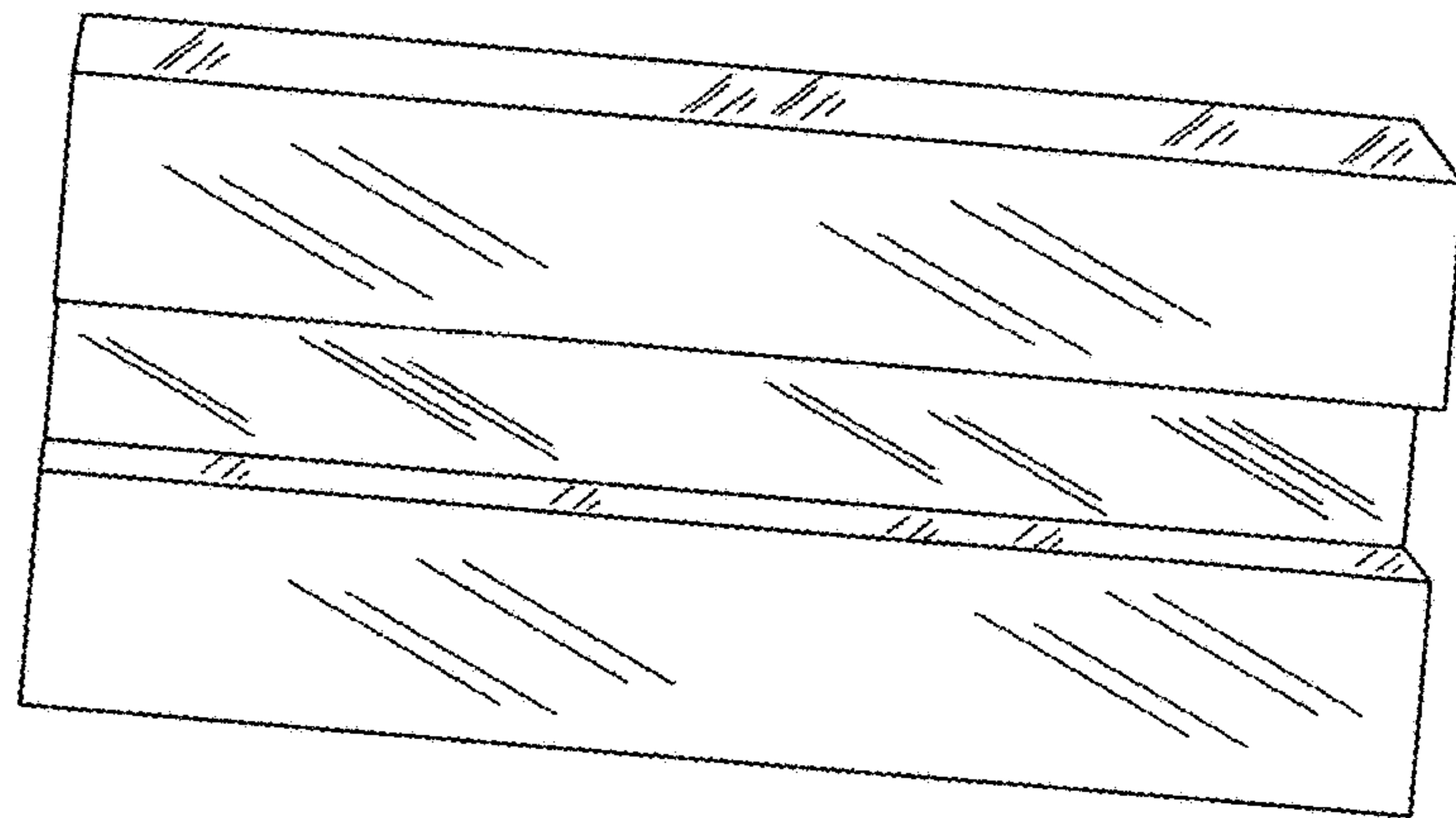


FIG. 7



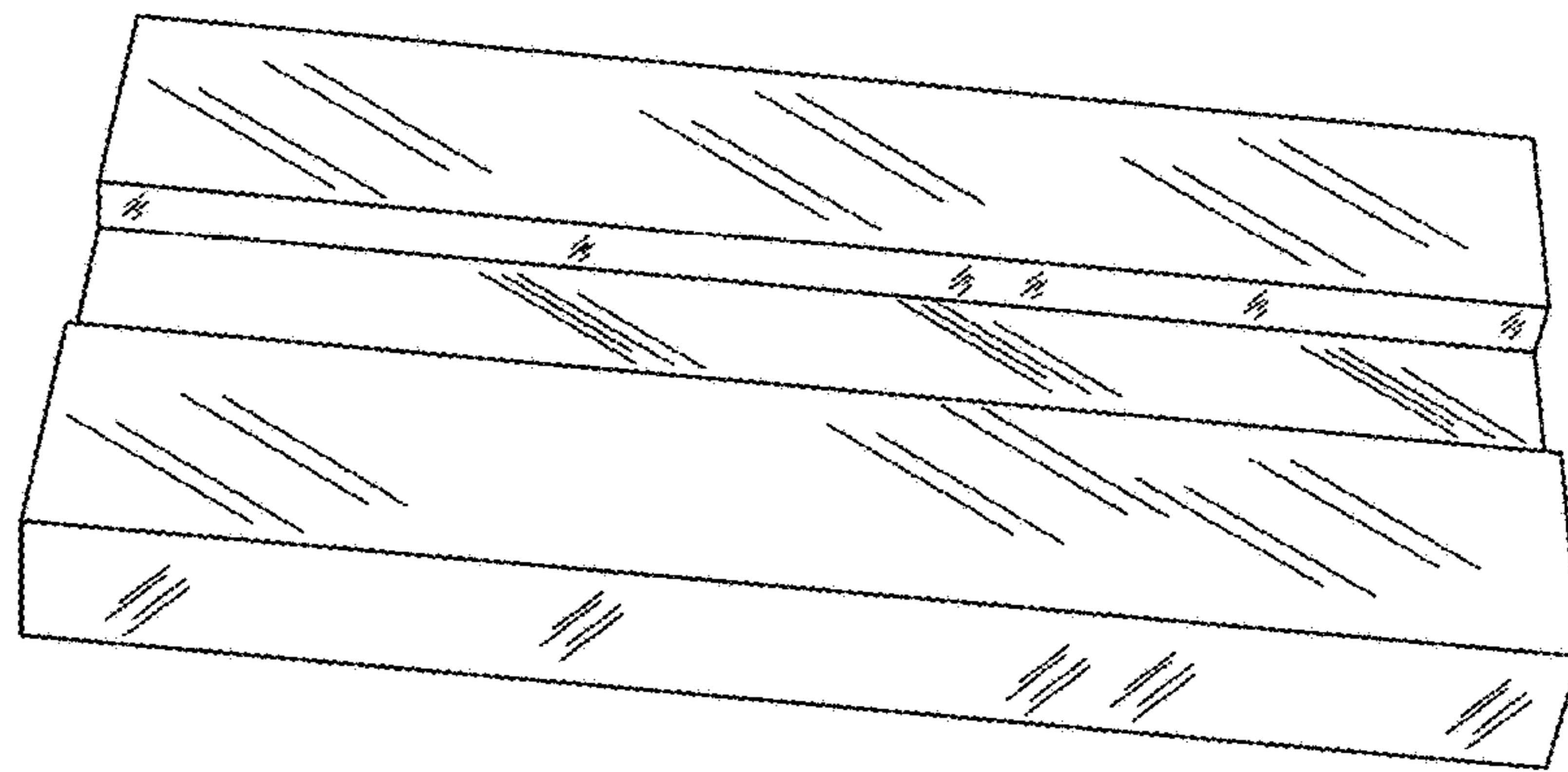


FIG. 8

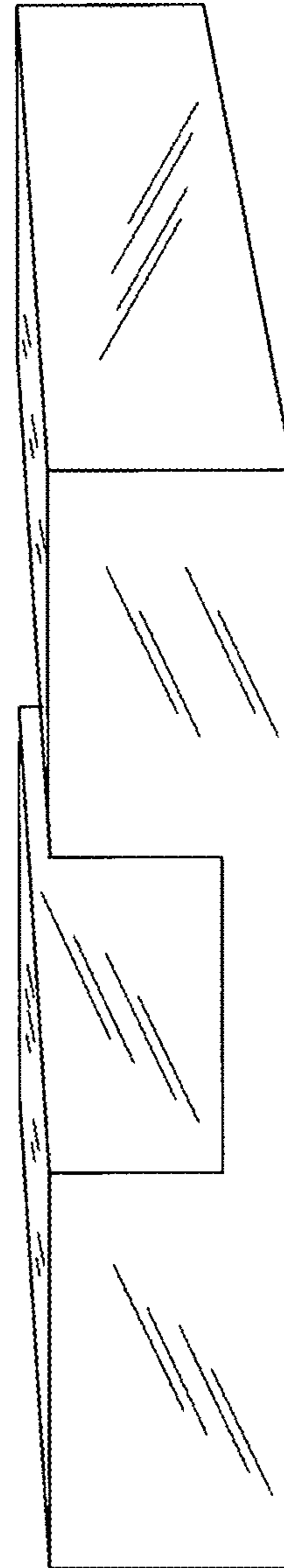


FIG. 9

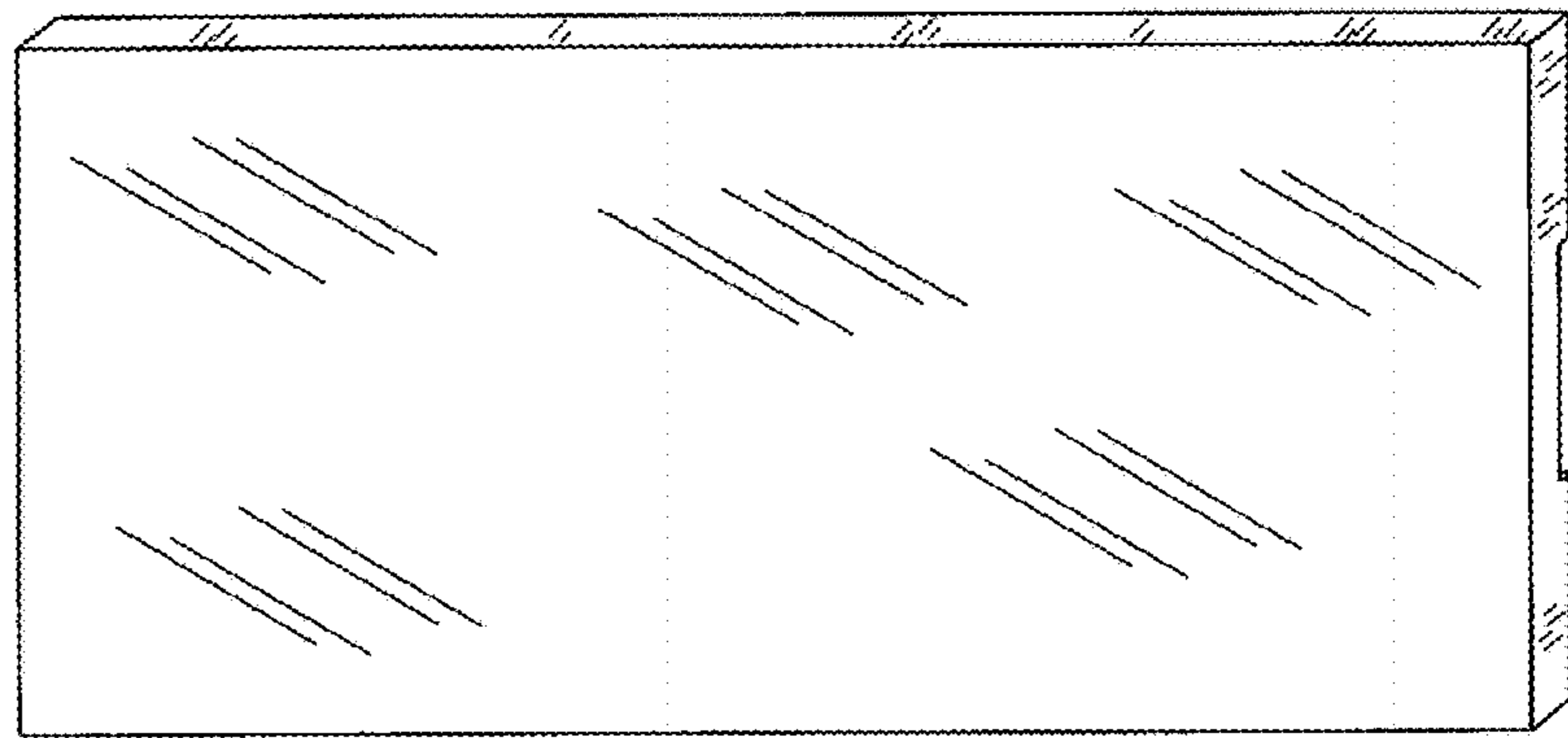


FIG. 10