



US00D826009S

(12) **United States Design Patent** (10) **Patent No.:** **US D826,009 S**
Feng (45) **Date of Patent:** **** Aug. 21, 2018**

(54) **SALAD SPINNER** D682,048 S * 5/2013 Perry D7/665
8,539,693 B2 * 9/2013 Perry A47J 43/24
188/72.9
(71) Applicant: **Zhejiang Shengli Plastic Co., Ltd.,** D753,962 S * 4/2016 Cornu D7/665
Taizhou (CN) D799,262 S * 10/2017 Feng D7/384
2009/0211460 A1 * 8/2009 So A47J 43/24
99/495
(72) Inventor: **Shengli Feng, Taizhou (CN)**

(73) Assignee: **Zhejiang Shengli Plastic Co., Ltd.,**
Taizhou (CN)

FOREIGN PATENT DOCUMENTS

EM 003534213-0001 * 12/2016

(**) Term: **15 Years**

OTHER PUBLICATIONS

(21) Appl. No.: **29/596,539**

Cuisinart Salad Spinner. Online, published date unknown. Retrieved on Jan. 6, 2018 from URL: https://www.bedbathandbeyond.com/store/product/cuisinart-reg-salad-spinner/1061812208?skuId=61812208&mcid=PS_googlepla_nonbrand_kitchenfoodprep_online&product_id=61812208&adtype=pla&productchannel=online&adpos=1o2&creative=*

(22) Filed: **Mar. 9, 2017**

(30) **Foreign Application Priority Data**

Oct. 28, 2016 (CN) 2016 3 0536816

(51) **LOC (11) Cl.** **31-00**

(52) **U.S. Cl.**
USPC **D7/665**

(58) **Field of Classification Search**
USPC D7/400, 500, 538-549, 586, 587,
D7/601-603, 612, 615, 629-630, 665-668
CPC A47J 43/044; A47J 43/24; A47J 47/005;
F26B 5/08
See application file for complete search history.

(Continued)

Primary Examiner — Karen S Acker
Assistant Examiner — Omeed Agilee
(74) *Attorney, Agent, or Firm* — Dilworth IP, LLC

(56) **References Cited**

(57) **CLAIM**

The ornamental design for a salad spinner, substantially as shown and described.

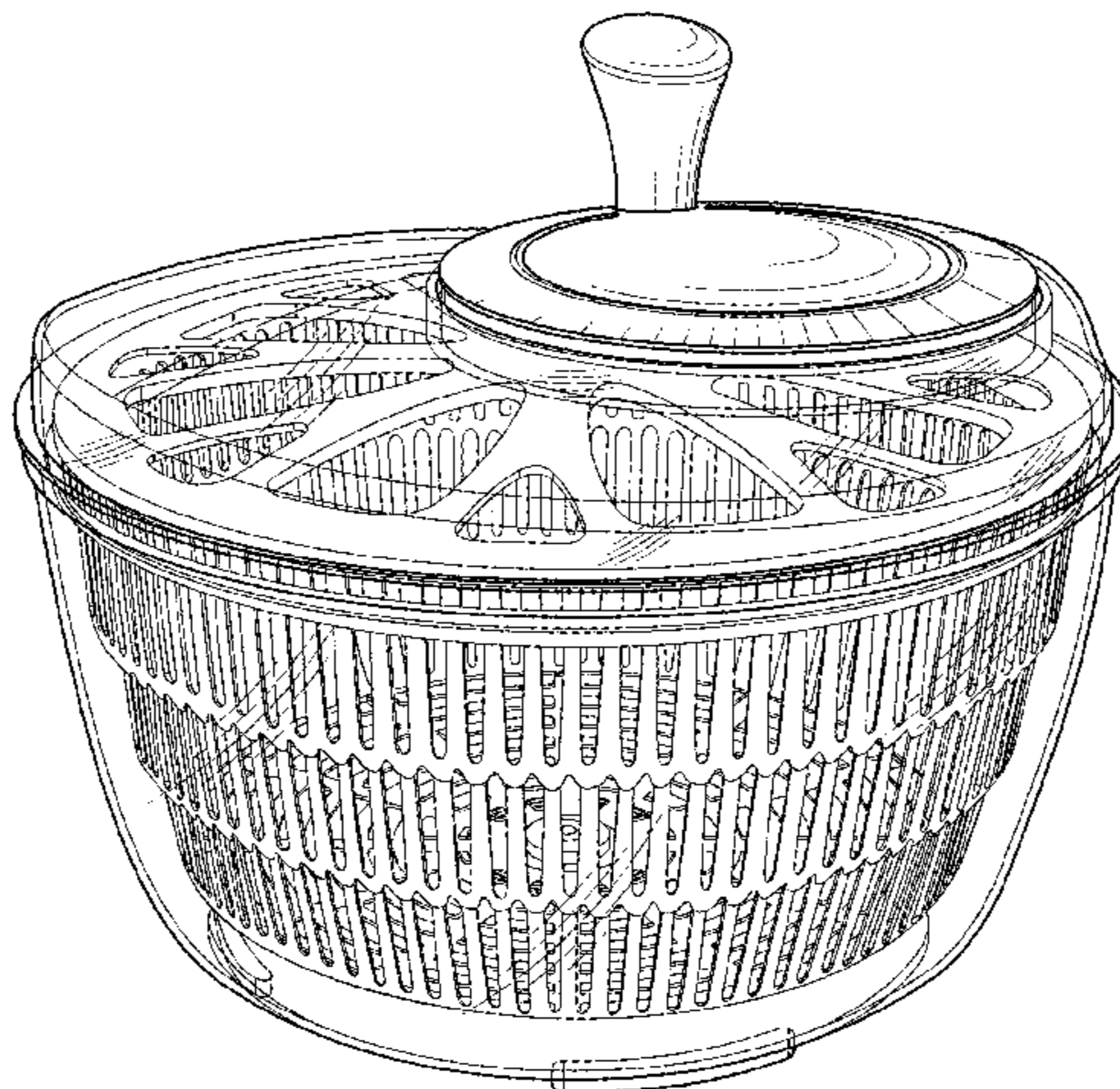
U.S. PATENT DOCUMENTS

DESCRIPTION

D241,495 S * 9/1976 Mantelet D7/665
D376,063 S * 12/1996 Bull D7/665
D402,165 S * 12/1998 Bull D7/665
5,904,090 A * 5/1999 Lillelund F26B 5/08
210/360.1
D462,881 S * 9/2002 Mulhauser D7/665
6,622,618 B1 * 9/2003 Glucksman A47J 43/24
210/360.1
D506,903 S * 7/2005 Lee D7/665
D530,989 S * 10/2006 Mellen D7/665
D538,604 S * 3/2007 de Groote D7/665
D581,219 S * 11/2008 So D7/665
D672,211 S * 12/2012 Nie D7/665

FIG. 1 is a perspective view of the body of the salad spinner showing my new design;
FIG. 2 is a front elevation view thereof;
FIG. 3 is a rear elevation view thereof;
FIG. 4 is a left elevation view thereof;
FIG. 5 is a right elevation view thereof;
FIG. 6 is a top plan view thereof; and,
FIG. 7 is a bottom view thereof.
The broken lines in the drawings depict portions of the salad spinner that form no part of the claimed design.

1 Claim, 7 Drawing Sheets



(56)

References Cited

OTHER PUBLICATIONS

Kale and Roasted Chickpea Salad and an OXO Salad Spinner Giveaway. Online, published date Apr. 23, 2012. Retrieved on Jan. 6, 2018 from URL: <http://www.sweet-remedy.com/2012/04/kale-and-roasted-chickpea-salad-and-a-oxo-salad-spinner-giveaway/>.*

* cited by examiner

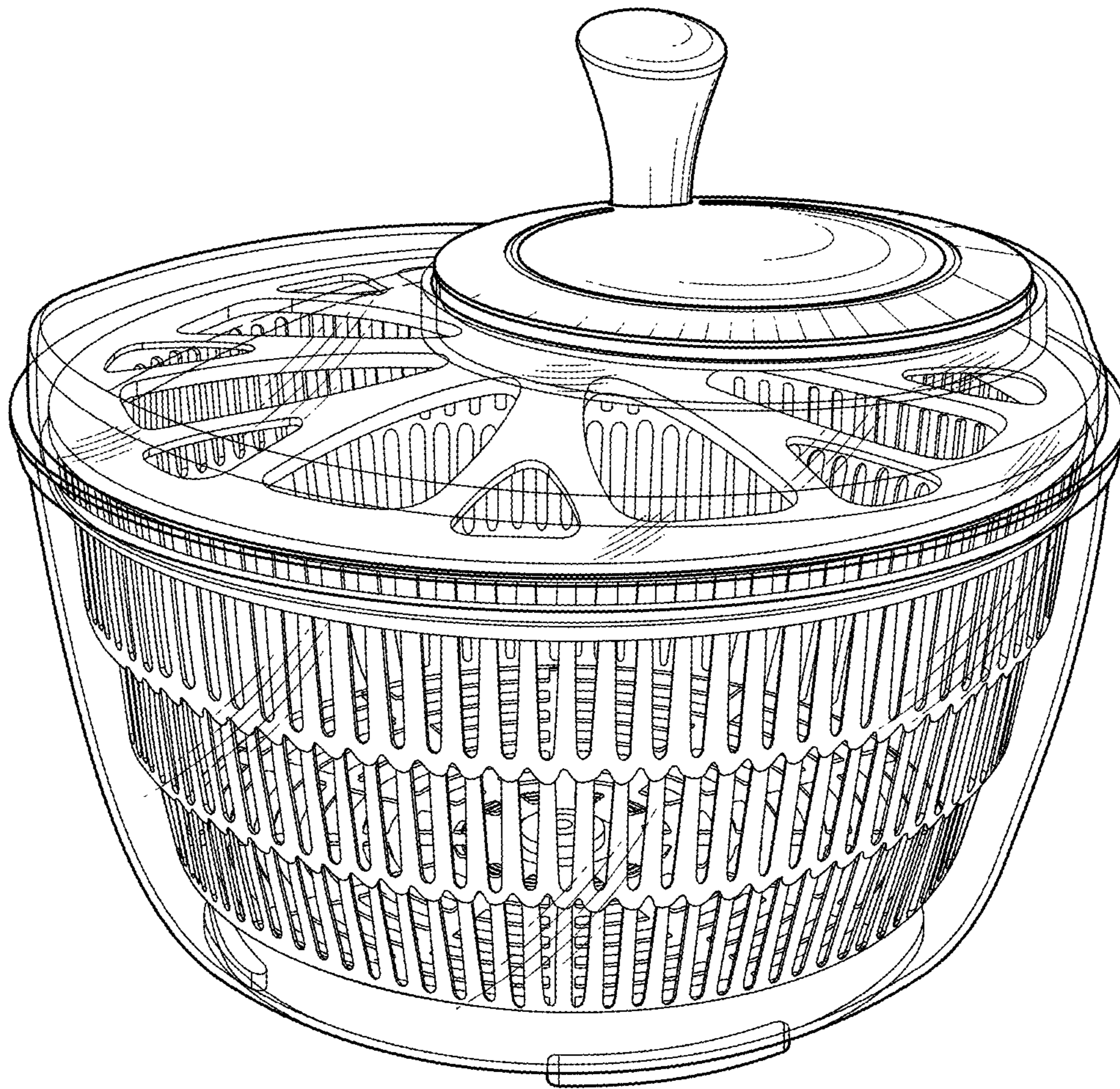


FIG. 1

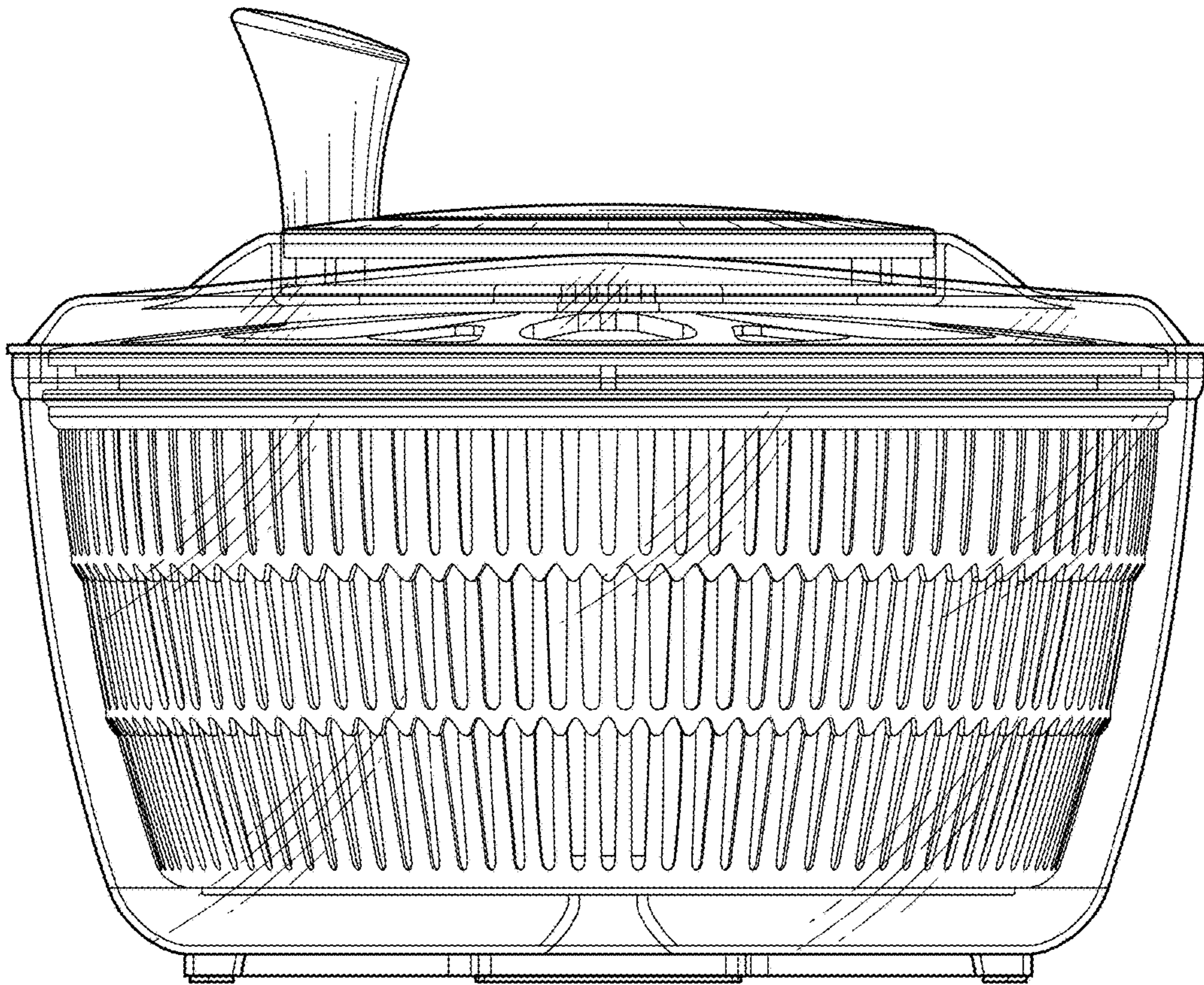


FIG. 2

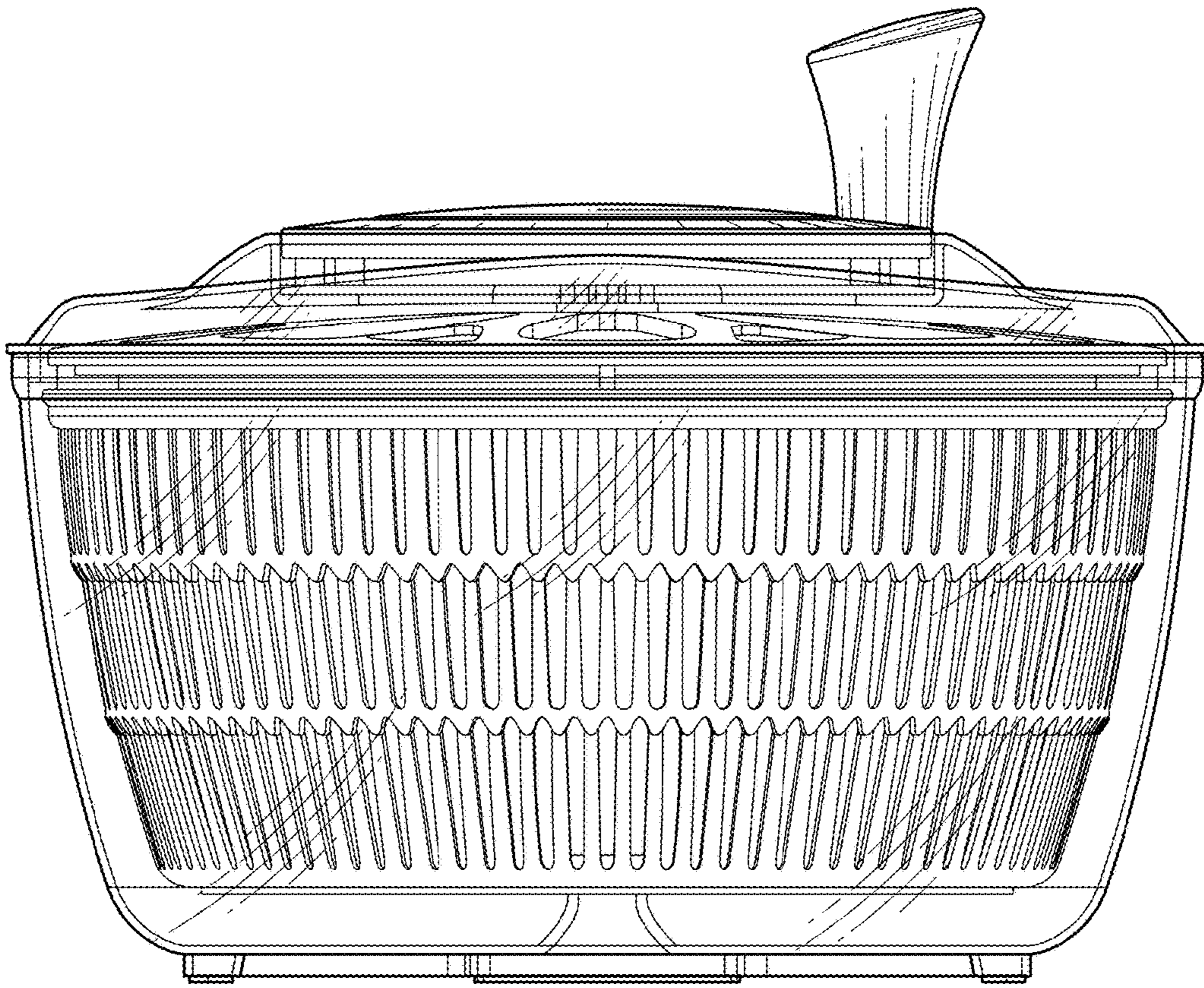


FIG. 3

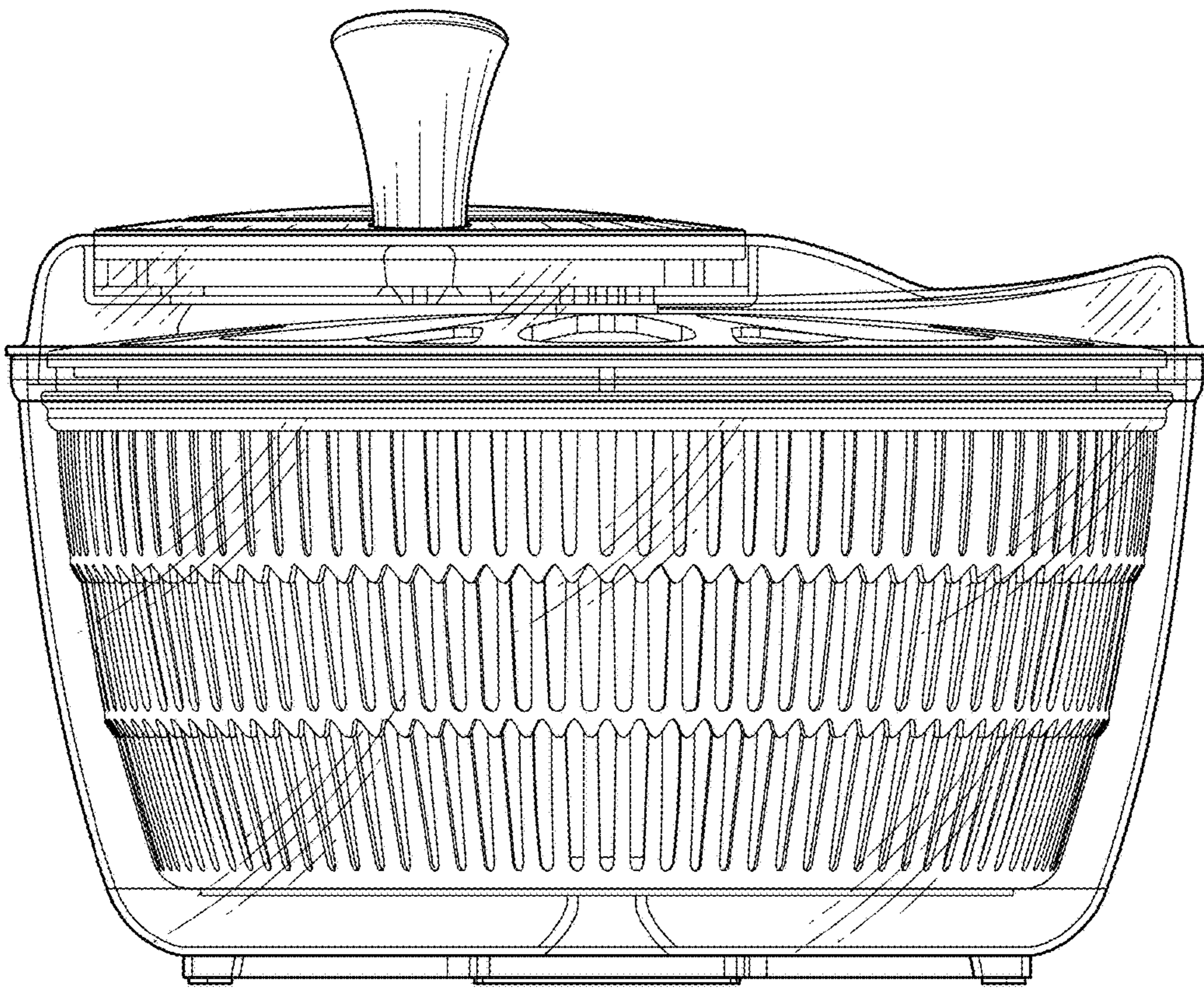


FIG. 4

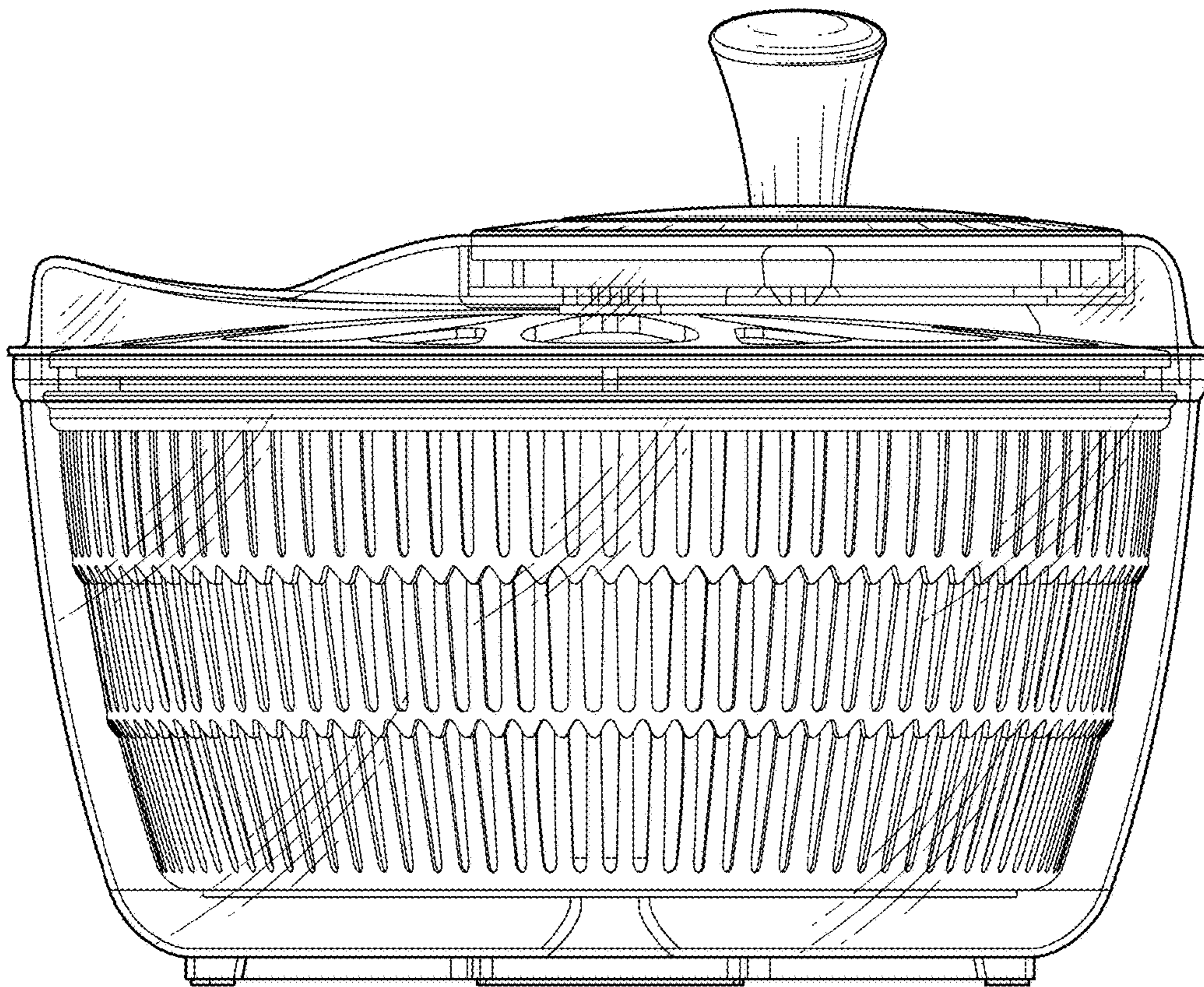


FIG. 5



FIG. 6

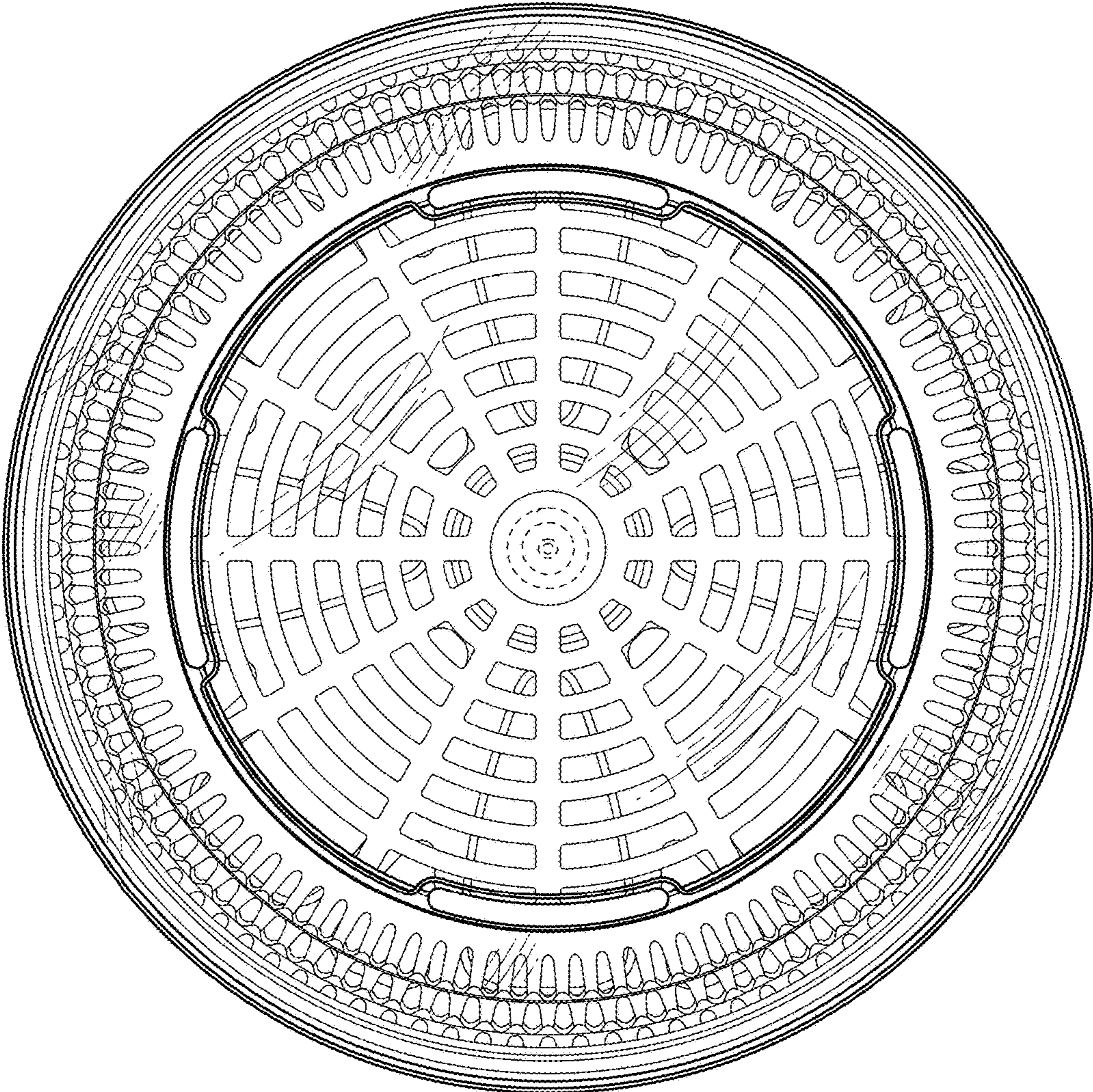


FIG. 7