



US00D826005S

(12) **United States Design Patent** (10) **Patent No.:** **US D826,005 S**
Walters Pennington et al. (45) **Date of Patent:** **** Aug. 21, 2018**

(54) **FOOD STORAGE CONTAINER**

(71) Applicant: **Rubbermaid Incorporated**,
Huntersville, NC (US)

(72) Inventors: **Adrienne Walters Pennington**,
Holland, MI (US); **John Kenneth Michie**,
Kalamazoo, MI (US); **Alfredo David Carreno**,
Portage, MI (US)

(73) Assignee: **Rubbermaid Incorporated**,
Huntersville, NC (US)

(**) Term: **15 Years**

(21) Appl. No.: **29/575,642**

(22) Filed: **Aug. 26, 2016**

(51) **LOC (11) Cl.** **09-07**

(52) **U.S. Cl.**
USPC **D7/629**

(58) **Field of Classification Search**
USPC D7/615, 300, 590, 591, 594, 595, 597,
D7/599, 602, 612, 613, 614, 708, 619.1,
D7/619.2, 641, 300.1, 301, 302, 589, 603,
D7/604, 605, 606, 608, 701, 702, 703,
D7/707, 622, 623, 710, 628, 629, 630;
D9/600, 601, 643, 644, 645, 646, 647,
D9/648, 655, 659, 661, 738, 761, 767,
D9/772, 773, 500, 516, 537, 538, 539,
D9/540, 541, 542, 543, 545, 549, 550,
D9/558, 559, 563, 567, 573, 574, 575,
D9/552, 554, 565, 737, 756, 759, 760,
D9/501, 502, 503, 504, 414, 416, 419,
D9/428, 432, 438
CPC A47G 19/20; A47G 19/12; A47G 23/04;
A47G 23/06; B65D 1/00; B65D 1/02;
B65D 1/10; B65D 1/12; B65D 1/23;
B65D 1/06; B65D 1/14; B65D 1/16;
B65D 1/26; B65D 3/00; B65D 3/02;
B65D 3/04; B65D 7/00; B65D 7/02;
B65D 7/04; B65D 9/02; B65D 11/00;
B65D 11/02; B65D 13/00; B65D 15/00;

B65D 15/02; B65D 17/00; B65D 17/02;
B65D 23/00; B65D 39/00; B65D 77/00;
B65D 2543/00296; B65D 2543/00842;
B65D 17/06; B65D 17/50; B65D 11/18;
B65D 1/34; B65D 1/36; B65D 1/22;
B65D 1/24

See application file for complete search history.

(56) **References Cited**

U.S. PATENT DOCUMENTS

D241,599 S * 9/1976 Croyle et al. D7/629
D246,439 S * 11/1977 Lynn D9/425
D271,180 S * 11/1983 Runyon D9/426

(Continued)

Primary Examiner — Shannon Weekley Morgan
(74) *Attorney, Agent, or Firm* — Jessica Kattula

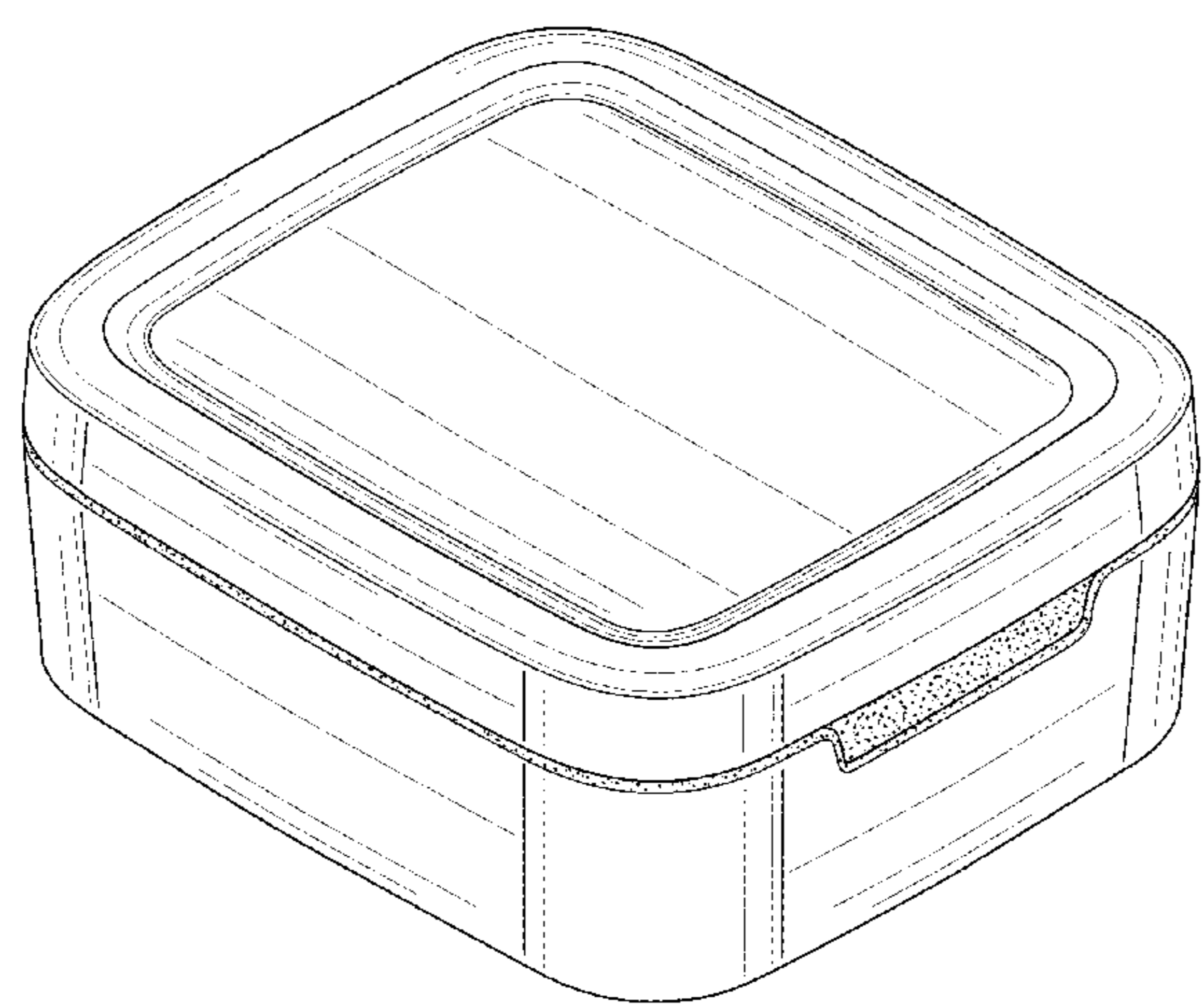
(57) **CLAIM**

The ornamental design for a “food storage container,” as shown and described.

DESCRIPTION

FIG. 1 is a front and right side perspective view of a food storage container, showing our new design, according to one embodiment;
FIG. 2 is a rear view of the food storage container shown in FIG. 1;
FIG. 3 is a front view of the food storage container shown in FIG. 1;
FIG. 4 is a right view of the food storage container shown in FIG. 1;
FIG. 5 is a left view of the food storage container shown in FIG. 1;
FIG. 6 is a top plan view of the food storage container shown in FIG. 1; and,
FIG. 7 is a bottom plan view of the food storage container shown in FIG. 1.
The long dash, short dash broken lines and area within shown in FIG. 7 forms no part of the claimed design.

1 Claim, 7 Drawing Sheets



(56)

References Cited

U.S. PATENT DOCUMENTS

4,976,370	A *	12/1990	Cassel	B65D 1/22 220/792
D330,312	S *	10/1992	Narsutis	D7/629
D330,996	S *	11/1992	Smith	D7/629
D336,018	S *	6/1993	Smith	D7/629
D351,090	S *	10/1994	Narsutis	D7/629
D357,161	S *	4/1995	Booten	D7/538
D367,211	S *	2/1996	Cautereels	D3/294
D455,005	S *	4/2002	Wolf	D3/205
D472,773	S *	4/2003	Samartgis	D7/629
D478,786	S *	8/2003	Kotsonis	D7/629
D489,530	S *	5/2004	Lindsay	D3/273
D493,335	S *	7/2004	Armato	D7/629
D509,655	S *	9/2005	Barnes	D3/260
D516,388	S *	3/2006	Wells	D7/629
D539,100	S *	3/2007	Zhao	D7/629
D551,515	S *	9/2007	Ablo	D7/629
D566,484	S *	4/2008	George	D3/294
D567,032	S *	4/2008	Gilbert	D7/629
D572,087	S *	7/2008	Kim	D7/629
D601,383	S *	10/2009	Shah	D7/538
D610,878	S *	3/2010	Kim	D7/629
D618,516	S *	6/2010	DiPietro	D7/629
D634,164	S *	3/2011	Coursey	D7/542
D646,128	S *	10/2011	Cetti	D7/629
D656,369	S *	3/2012	Everson	B65D 43/162 D7/629
D660,092	S *	5/2012	Kyung	D7/629
D660,095	S *	5/2012	Kyung	D7/629
D670,569	S *	11/2012	Siegel	D7/629
D718,983	S *	12/2014	Yessin	D7/629
8,961,908	B1 *	2/2015	Bommi	B65D 1/34 220/516
D731,793	S *	6/2015	Houghton	D3/294
D740,018	S *	10/2015	Zhang	D3/201
D758,065	S *	6/2016	Zwetzig	D3/201
D761,023	S *	7/2016	Tramontana	D3/203.1
D772,572	S *	11/2016	Palmborg	D3/201
D795,874	S *	8/2017	Szeremeta	D14/432

* cited by examiner

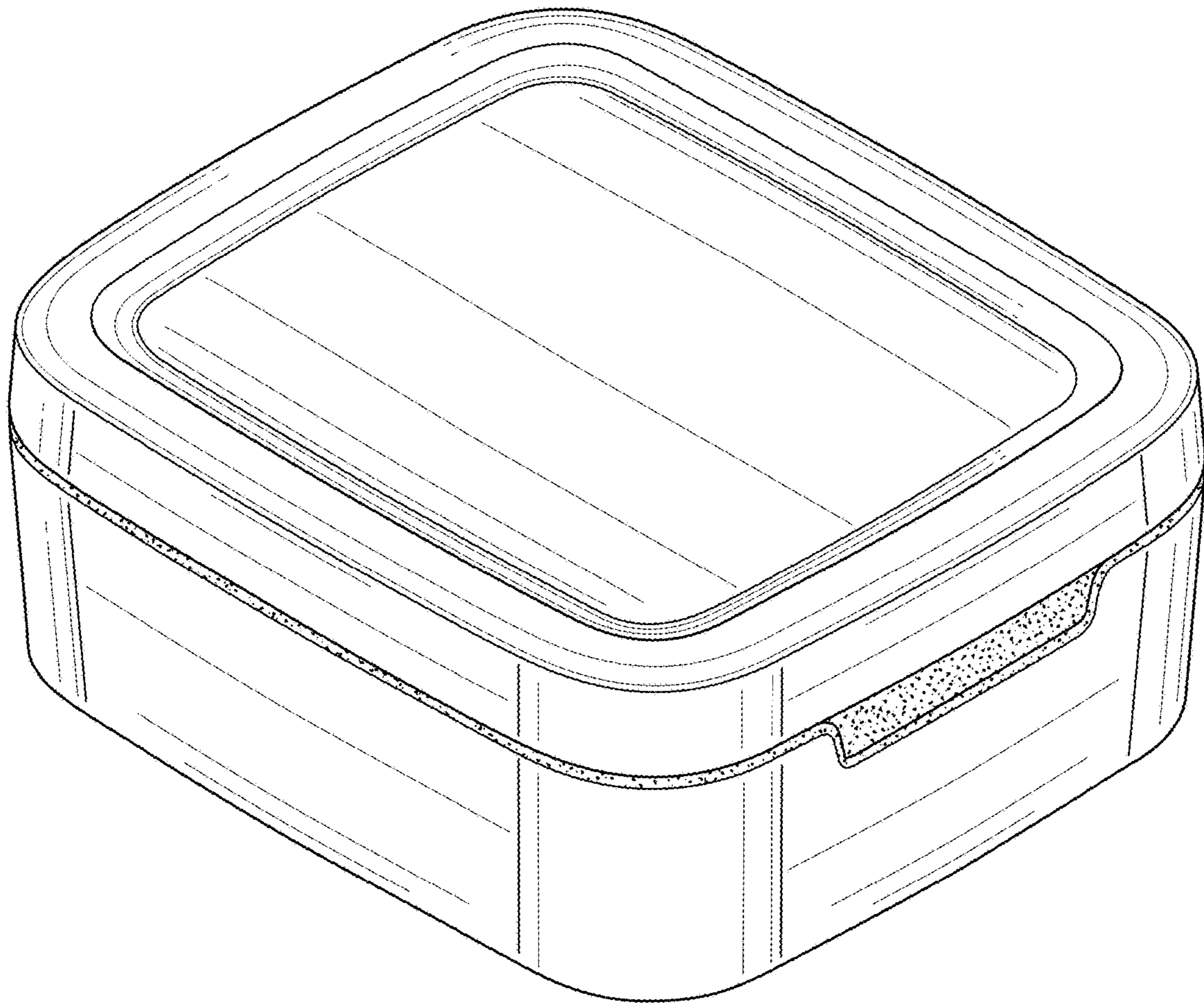


FIG. 1

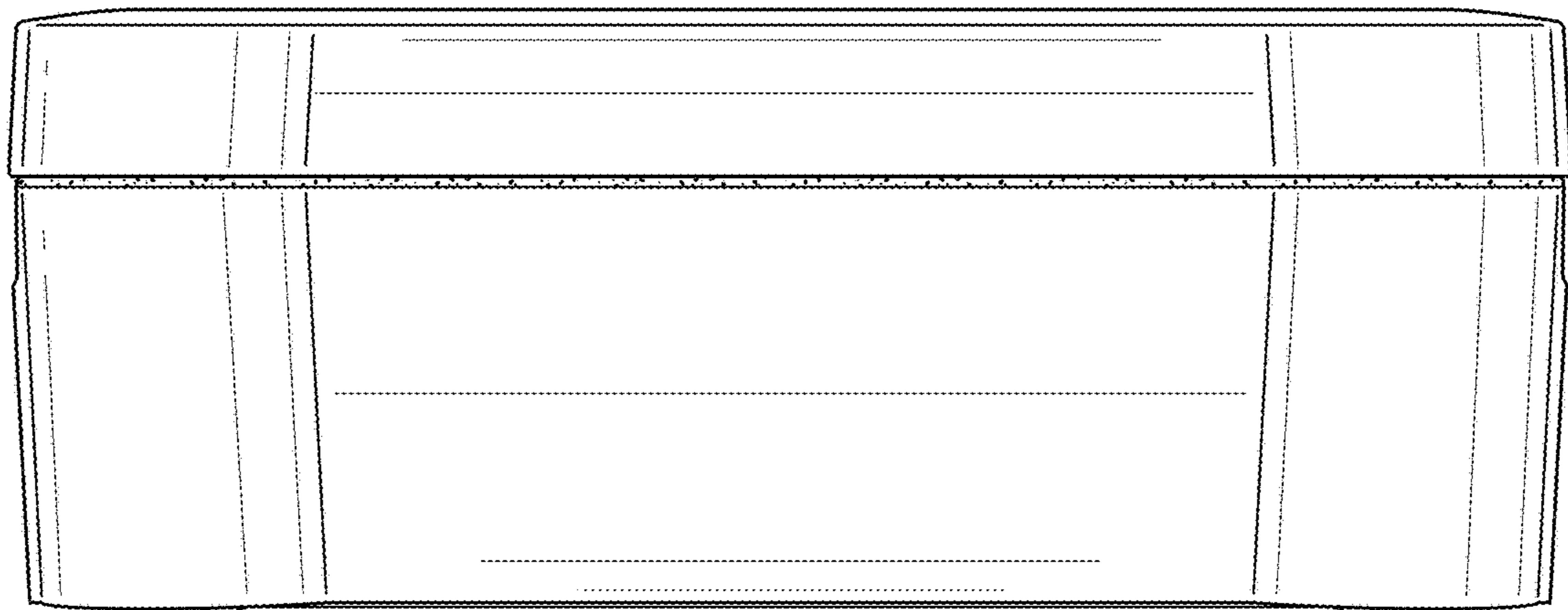


FIG. 2

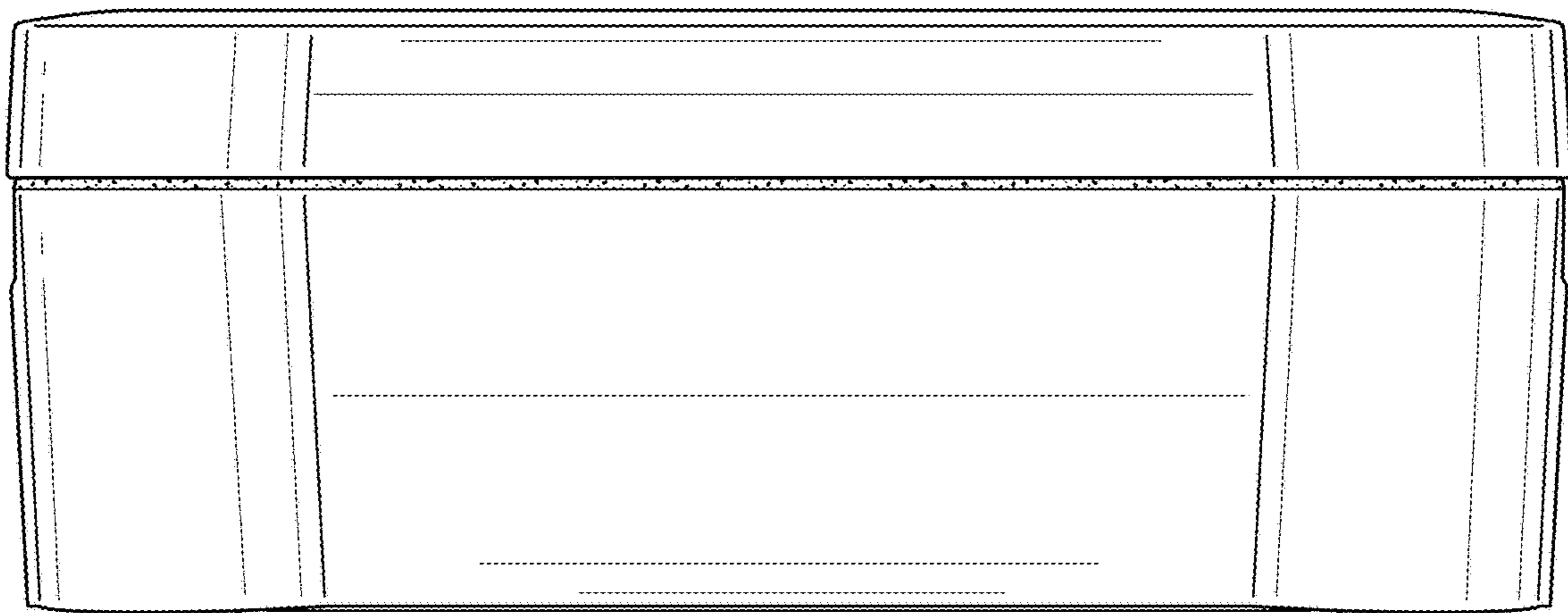


FIG. 3

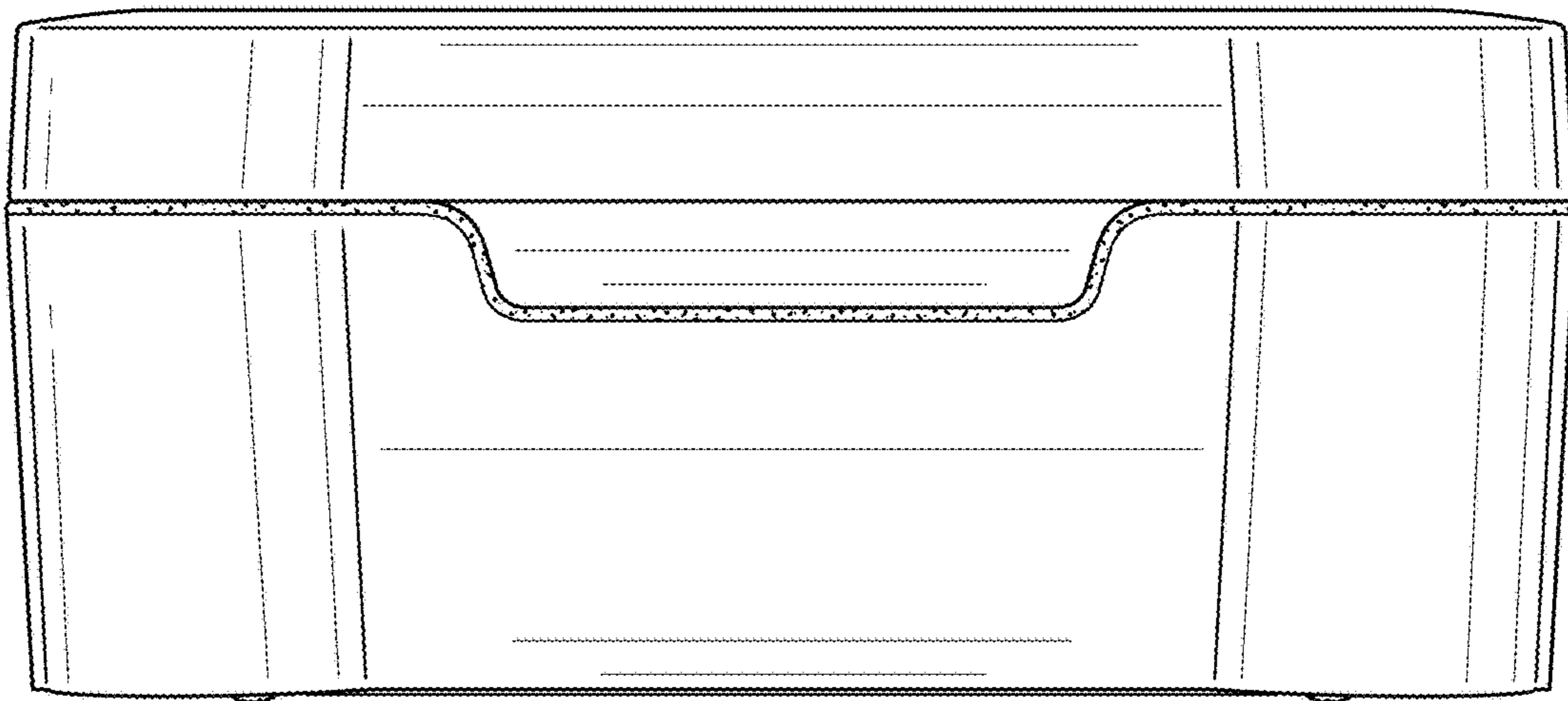


FIG. 4

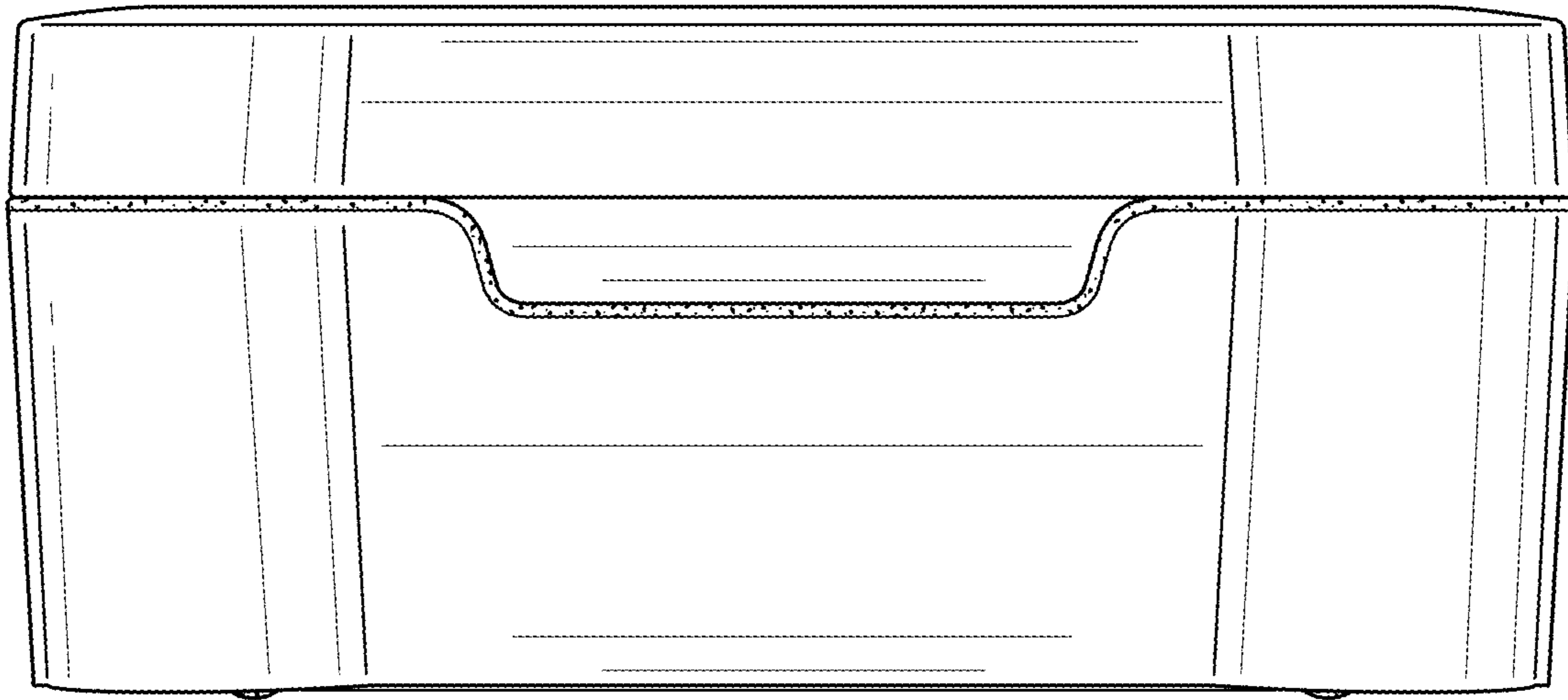


FIG. 5

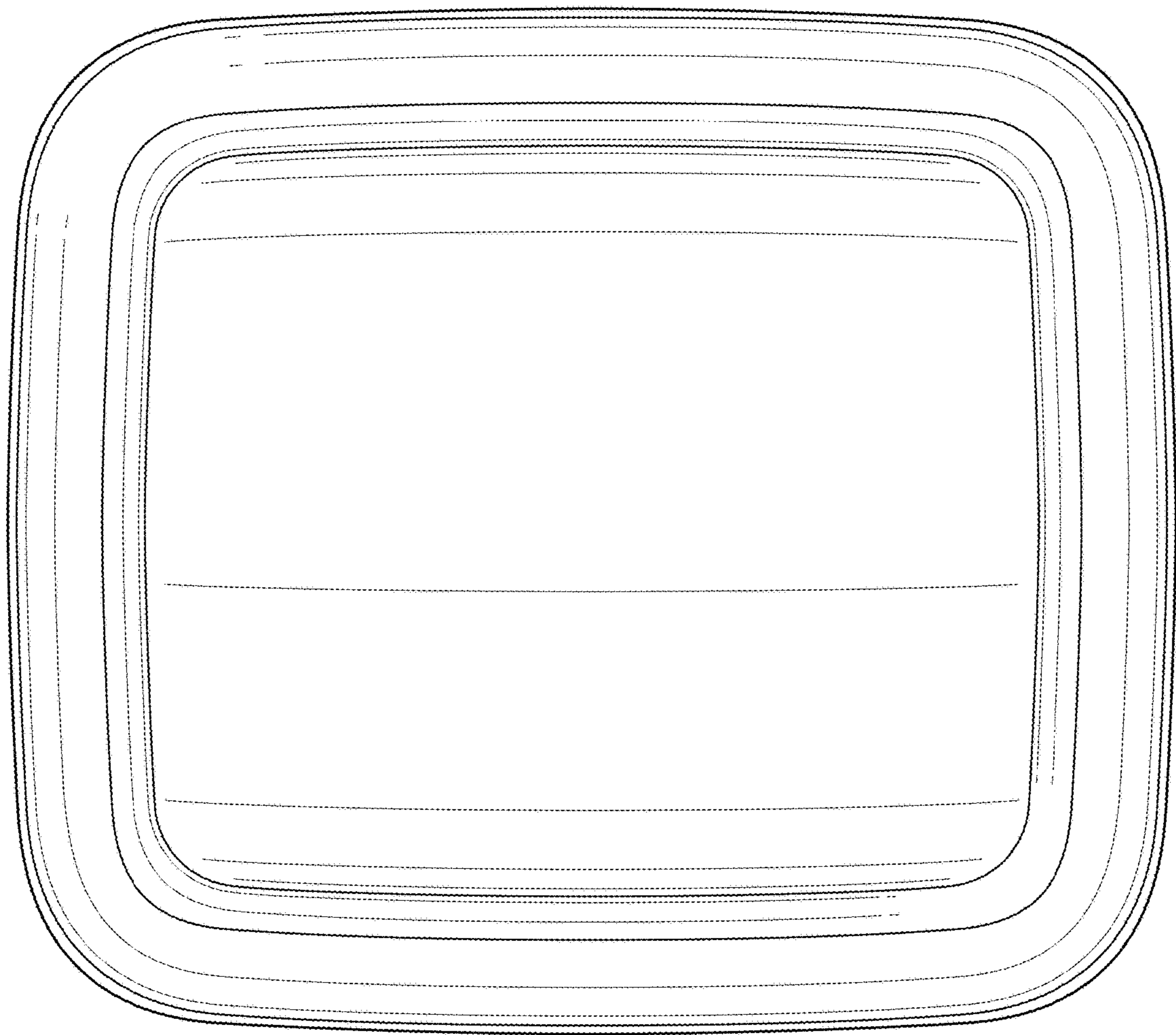


FIG. 6

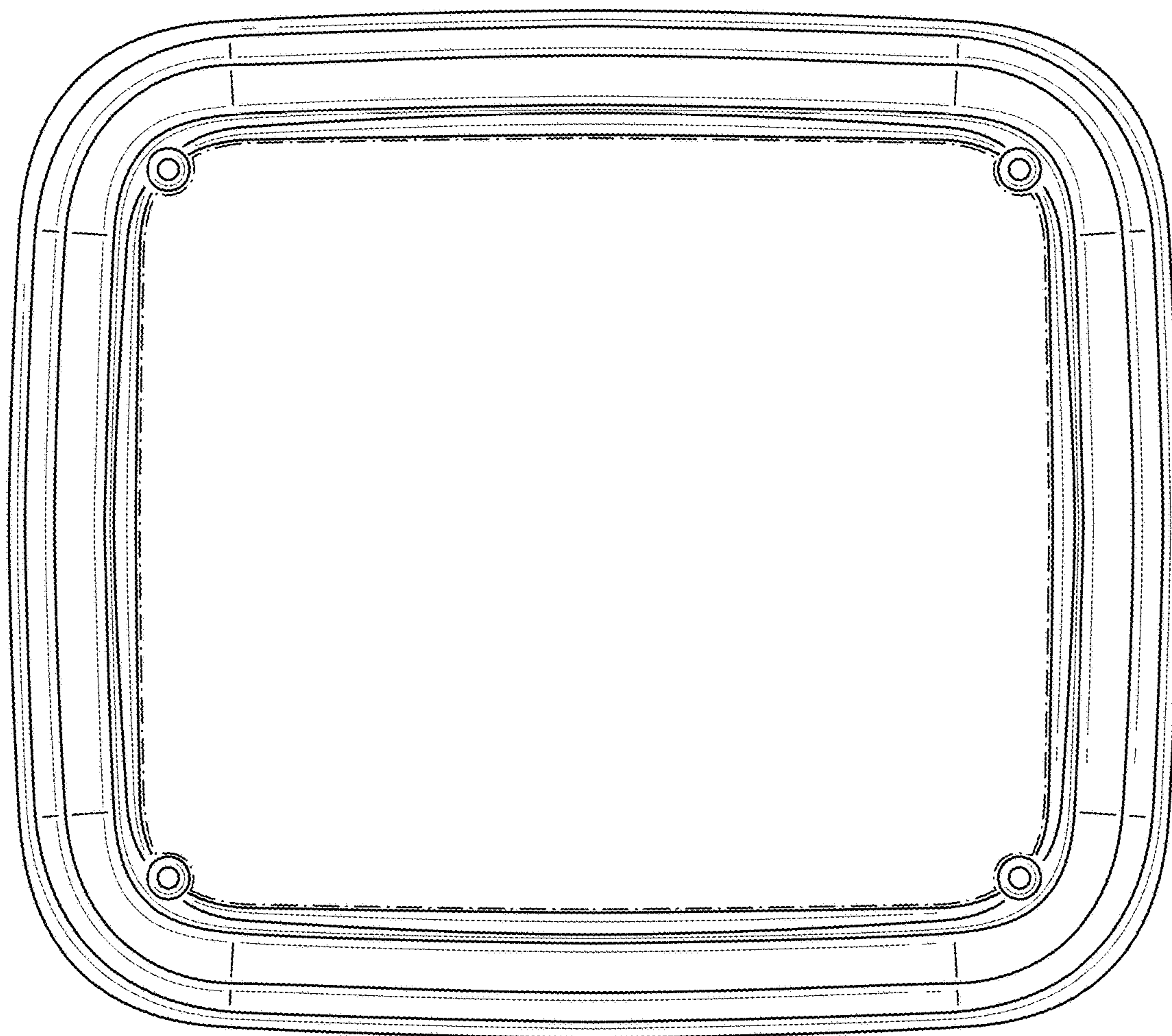


FIG. 7