



US00D826002S

(12) **United States Design Patent** (10) **Patent No.:** **US D826,002 S**
Resteghini (45) **Date of Patent:** **** Aug. 21, 2018**

(54) **DRINKING CUP STABILIZER**

(56) **References Cited**

(71) Applicant: **Nicole Carmela Resteghini**, Attleboro, MA (US)

U.S. PATENT DOCUMENTS

(72) Inventor: **Nicole Carmela Resteghini**, Attleboro, MA (US)

2,628,054 A * 2/1953 Fazakerley B60N 3/103
 211/74
 D257,113 S * 9/1980 McCaffrey D12/420
 D353,082 S * 12/1994 Keven D12/420
 D378,040 S * 2/1997 Flint D7/620

(**) Term: **15 Years**

* cited by examiner

(21) Appl. No.: **29/637,815**

Primary Examiner — Terry A Wallace

(22) Filed: **Feb. 22, 2018**

(74) *Attorney, Agent, or Firm* — Douglas Denninger

(57) **CLAIM**

I claim the ornamental design for a drinking cup stabilizer, as shown and described.

Related U.S. Application Data

DESCRIPTION

(62) Division of application No. 29/585,558, filed on Nov. 26, 2016, now Pat. No. Des. 816,427.

(51) **LOC (11) Cl.** **07-06**

FIG. 1 is a top perspective view of a drinking cup stabilizer showing my new design.

(52) **U.S. Cl.**

FIG. 2 is a bottom perspective view thereof.

USPC **D7/620**

FIG. 3 is a bottom plan view thereof.

(58) **Field of Classification Search**

USPC D7/619.1-625, 701-708

FIG. 4 is a top plan view thereof.

CPC A47G 23/02; A47G 7/044; A47G 23/0216;

FIG. 5 is a side view thereof, the opposite side being a mirror image.

A47G 23/0225; B60N 3/103; B60N

FIG. 6 is a front view thereof; and,

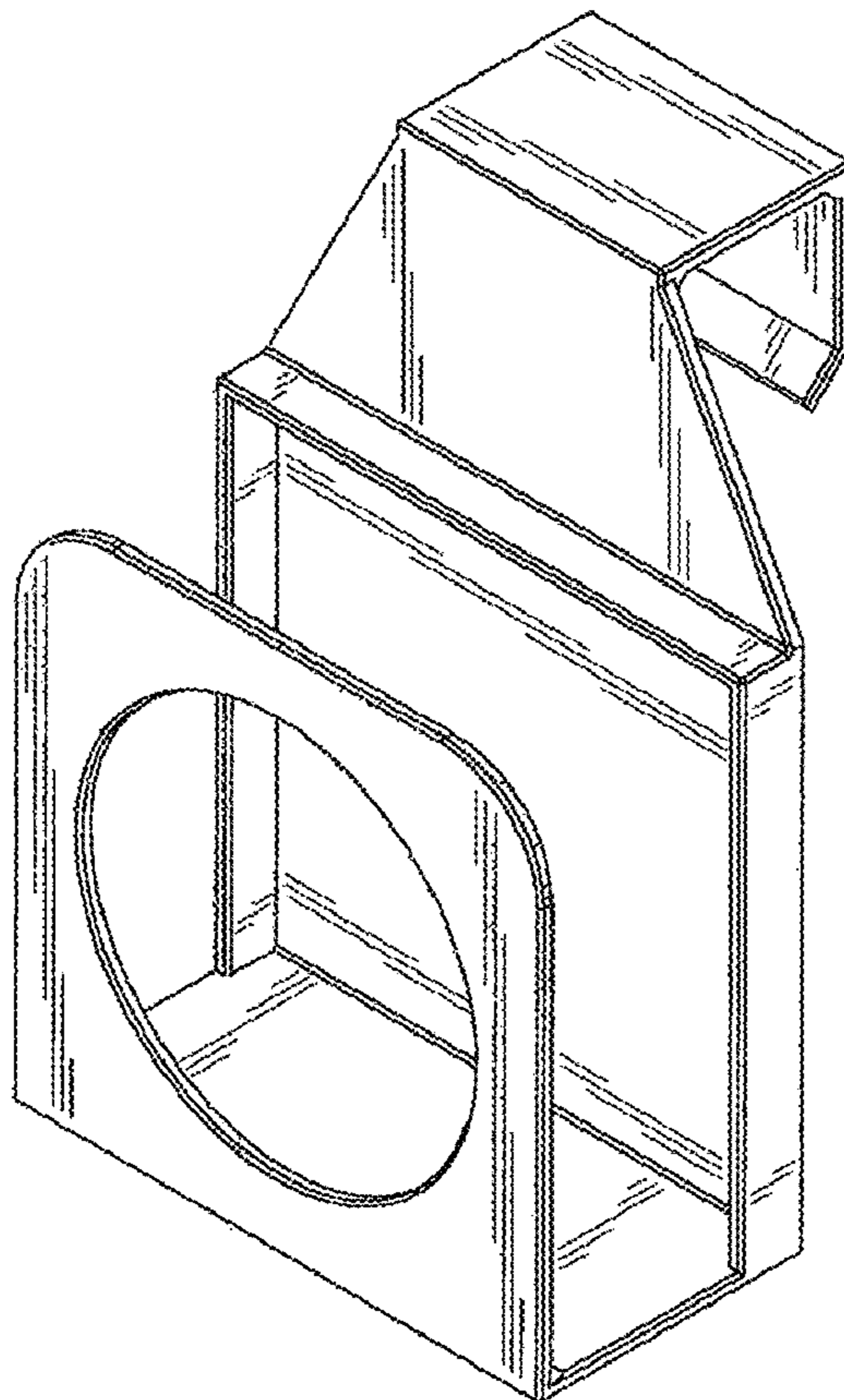
3/102; A47B 73/004; B01L 9/06; A47F

FIG. 7 is a rear view thereof.

7/021

See application file for complete search history.

1 Claim, 3 Drawing Sheets



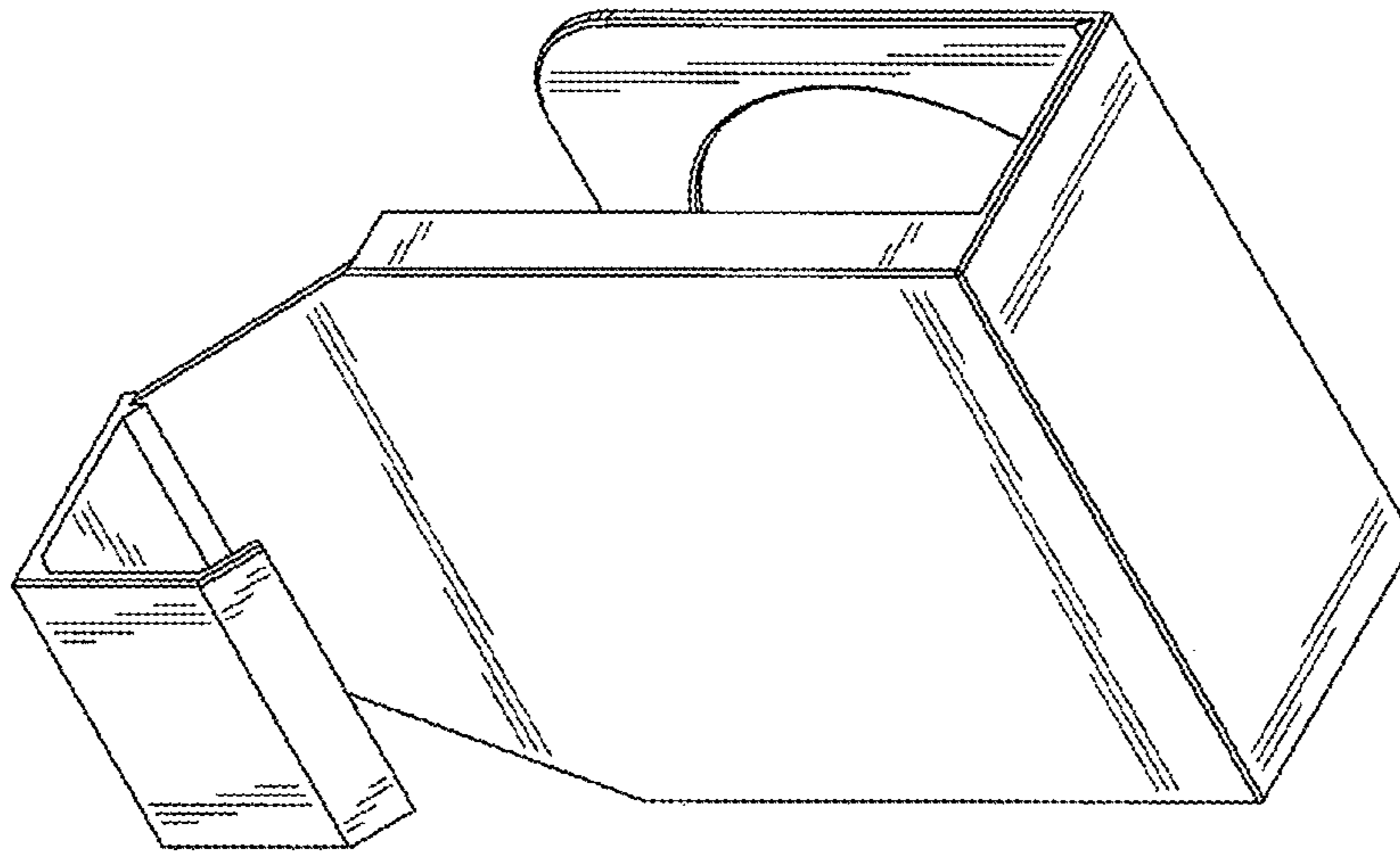


FIG. 1

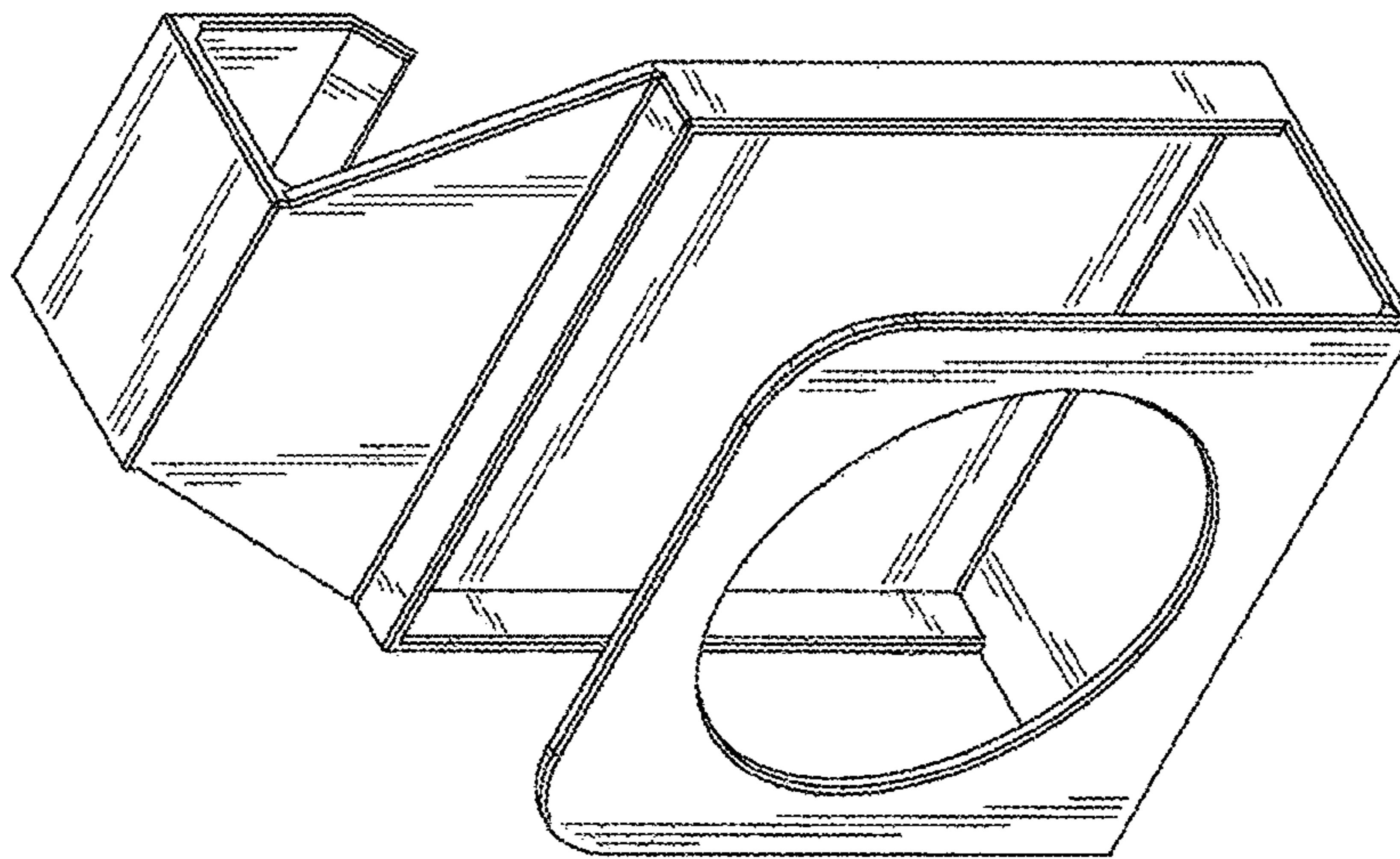


FIG. 2

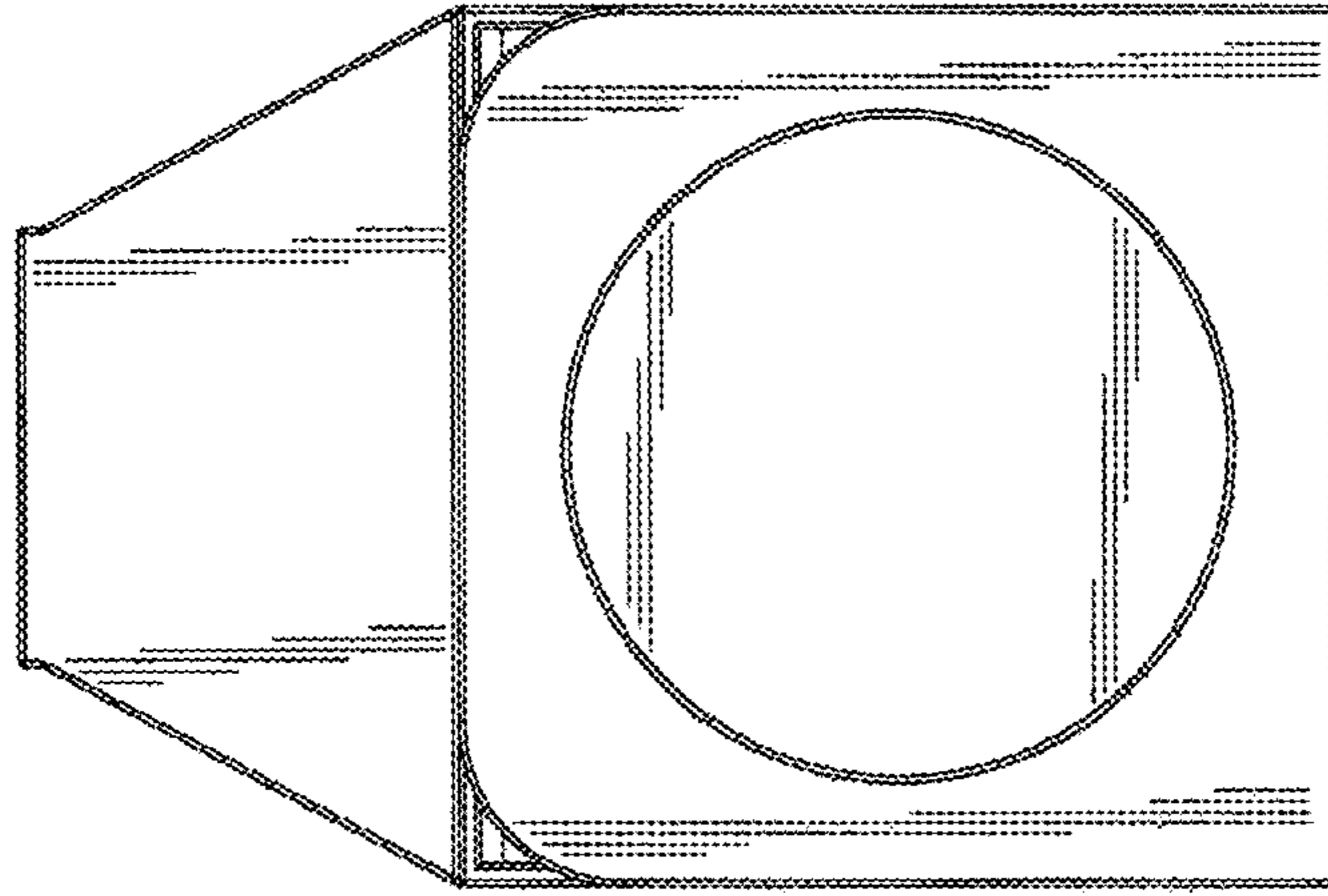


FIG. 4

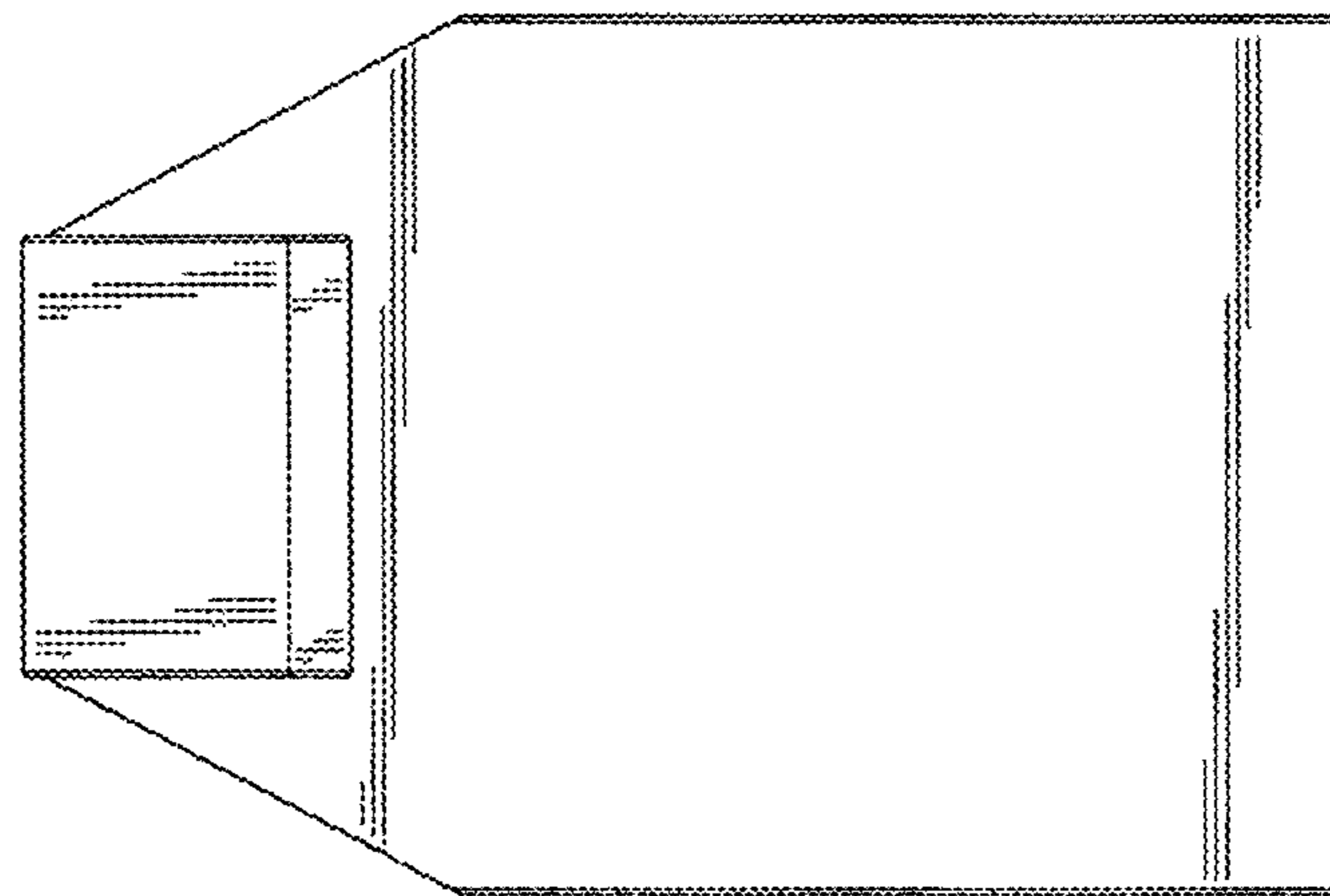


FIG. 3

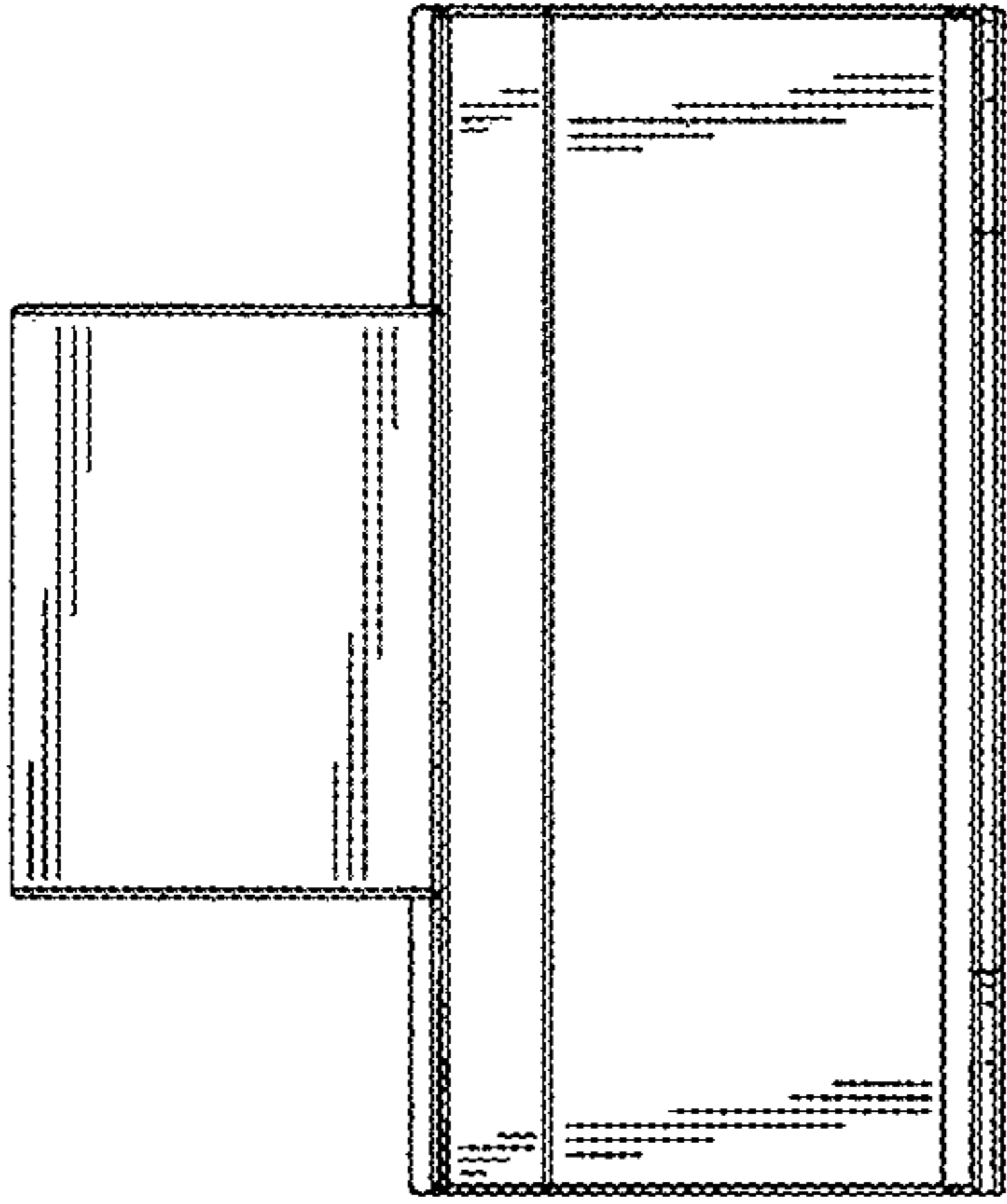


FIG. 6

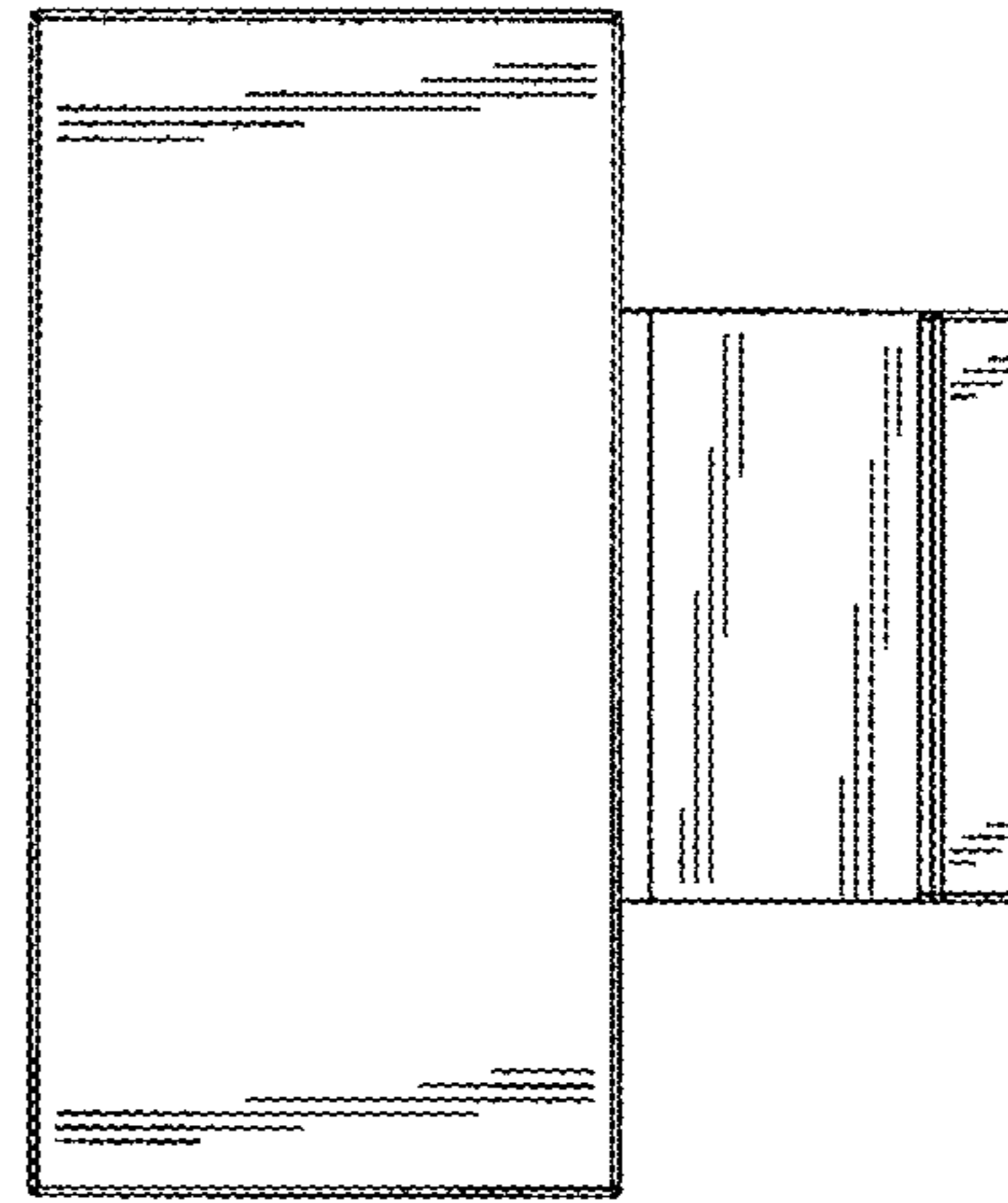


FIG. 7

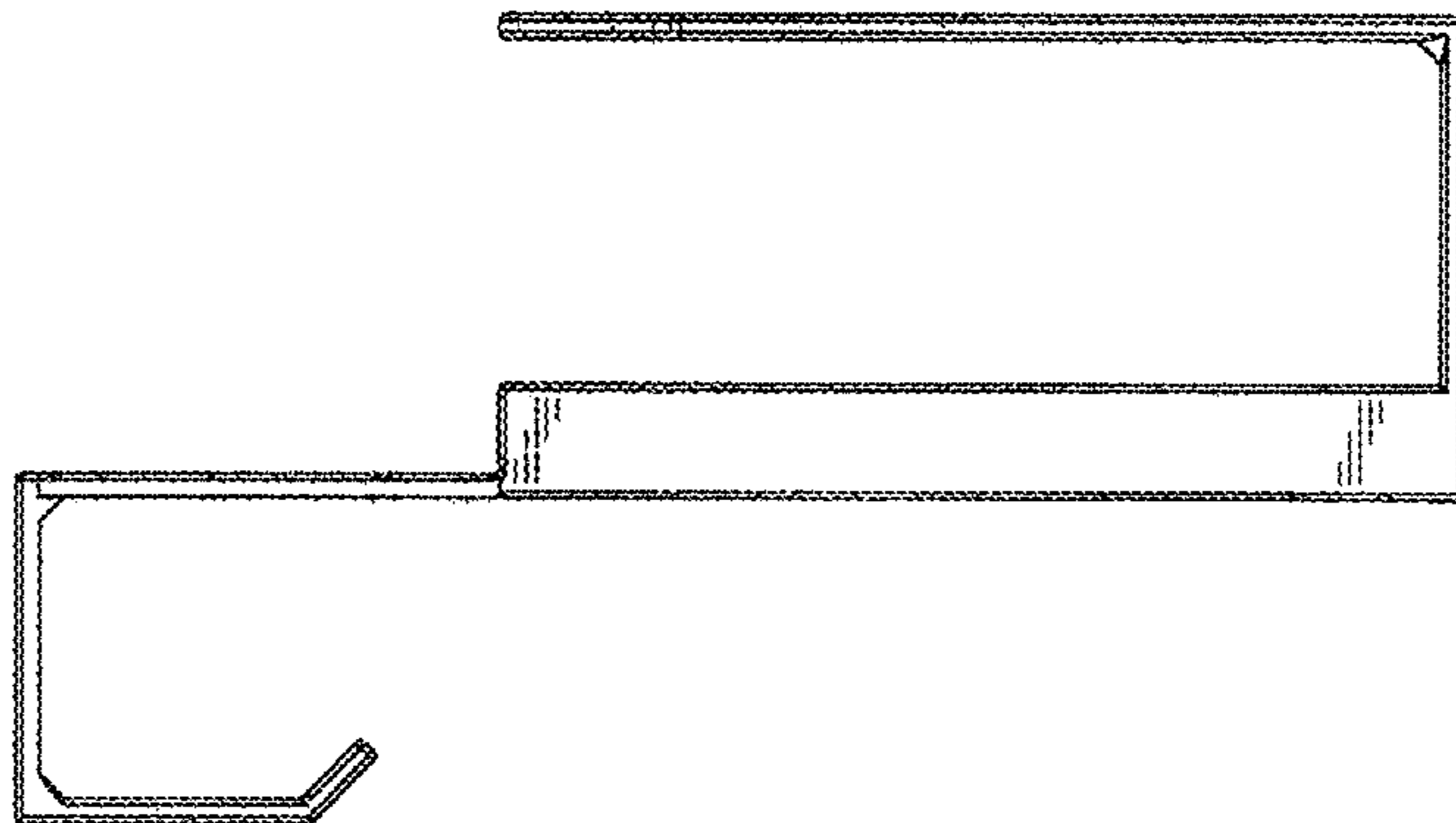


FIG. 5