



US00D825997S

(12) **United States Design Patent** (10) **Patent No.:** **US D825,997 S**  
**Dolinsky** (45) **Date of Patent:** **\*\* Aug. 21, 2018**

(54) **STACKABLE SERVING TRAY**  
(71) Applicant: **David Dolinsky**, Nyack, NY (US)  
(72) Inventor: **David Dolinsky**, Nyack, NY (US)  
(73) Assignee: **REMSON CONCEPTS, INC.**, Tappan, NY (US)  
(\*\*) Term: **15 Years**

*Primary Examiner* — Kelley Donnelly  
(74) *Attorney, Agent, or Firm* — Werschulz Patent Law, LLC; Patricia Werschulz

(21) Appl. No.: **29/641,464**  
(22) Filed: **Mar. 22, 2018**  
(51) **LOC (11) Cl.** ..... **07-01**  
(52) **U.S. Cl.**  
USPC ..... **D7/553.6**  
(58) **Field of Classification Search**  
USPC ..... D7/550.1, 552.2, 553.5, 553.6, 553.8, D7/554.1, 554.2, 601–602, 397, 401.1; D9/414, 424, 737, 738, 741, 745, 751  
CPC .. B65D 1/34; B65D 1/36; B65D 2501/24019; B65D 2501/24554; B65D 2501/24585; B65D 11/02; B65D 85/30  
See application file for complete search history.

(57) **CLAIM**  
The ornamental design for a stackable serving tray, as shown and described.

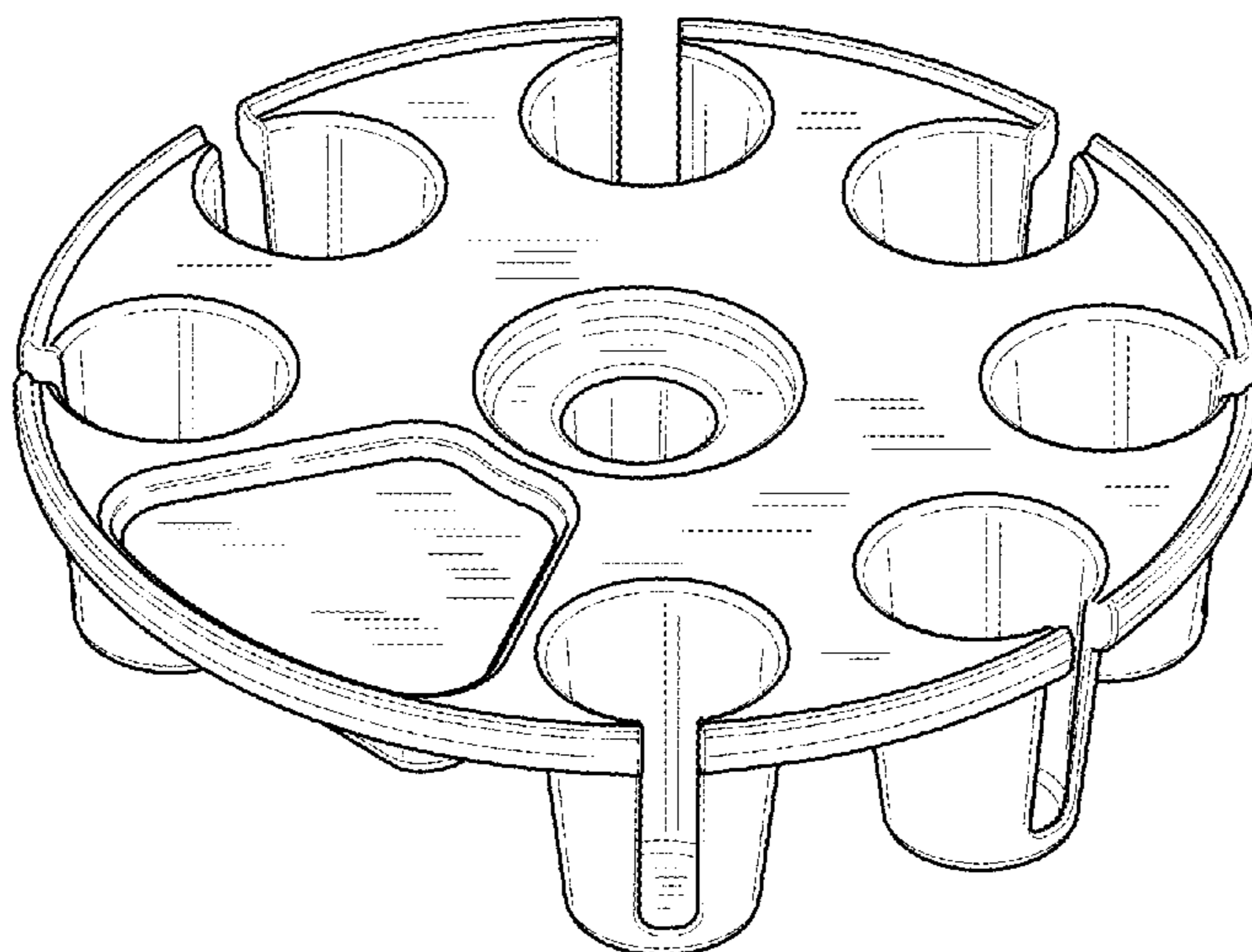
(56) **References Cited**  
**U.S. PATENT DOCUMENTS**  
D20,928 S \* 7/1891 Van Kannel ..... D7/553.4  
D60,025 S \* 12/1921 Hoodwin ..... D7/553.8  
(Continued)

**DESCRIPTION**  
FIG. 1 is a perspective view from above of a first embodiment of a stackable serving tray, showing my new design; FIG. 2 is a perspective view from below; FIG. 3 is a front elevational view thereof; FIG. 4 is a rear elevational view thereof; FIG. 5 is a top plan view thereof; FIG. 6 is a bottom plan view thereof; FIG. 7 is a right side elevational view thereof; and FIG. 8 is a left side elevational view thereof. FIG. 9 is a perspective view from above of a second embodiment of the stackable serving tray, showing my new design; FIG. 10 is a perspective view from below; FIG. 11 is a front elevational view thereof; FIG. 12 is a rear elevational view thereof; FIG. 13 is a top plan view thereof; FIG. 14 is a bottom plan view thereof; FIG. 15 is a right side elevational view thereof; and FIG. 16 is a left side elevational view thereof. FIG. 17 is a perspective view of a third embodiment of a stackable serving tray, showing my new design; FIG. 18 is a perspective view from below; FIG. 19 is a front elevational view thereof; FIG. 20 is a rear elevational view thereof; FIG. 21 is a top plan view thereof; FIG. 22 is a bottom plan view thereof; FIG. 23 is a right side elevational view thereof; and, FIG. 24 is a left side elevational view thereof.

**FOREIGN PATENT DOCUMENTS**  
CA 32861 S 9/1970  
CA 33568 A 2/1971  
(Continued)

**OTHER PUBLICATIONS**  
Anonymous, Tray Bien; <http://www.traybiensolutions.com>, Accessed: Feb. 15, 2018.  
(Continued)

**1 Claim, 15 Drawing Sheets**



(56)

References Cited

U.S. PATENT DOCUMENTS

1,469,596 A \* 10/1923 Hoodwin ..... A47G 23/065  
229/932  
2,920,804 A \* 1/1960 Minton ..... A47G 19/06  
215/395  
3,162,344 A 12/1964 Raymond  
D252,066 S 6/1979 Jeambey  
D286,250 S \* 10/1986 Prescott ..... D7/557  
D292,161 S 10/1987 Spolter et al.  
D293,640 S 1/1988 Perry et al.  
4,718,555 A \* 1/1988 Amberg ..... B65D 1/36  
206/518  
D297,799 S \* 9/1988 Hammer ..... D7/507  
D303,194 S \* 9/1989 Darby ..... D7/507  
4,899,881 A 2/1990 Girard et al.  
4,991,713 A 2/1991 Phillips  
5,249,700 A \* 10/1993 Dumke ..... A47G 19/065  
220/23.86  
D344,436 S \* 2/1994 Walls ..... D7/553.4  
5,292,028 A \* 3/1994 Patterson ..... A47G 19/065  
206/217  
D349,425 S \* 8/1994 Kays ..... D7/549  
D353,977 S \* 1/1995 Muschett ..... D7/509  
D363,644 S \* 10/1995 Wyatt ..... D7/553.6  
D376,928 S \* 12/1996 Lorenzana ..... D6/406.5  
D378,038 S 2/1997 Gaines  
D378,477 S \* 3/1997 Sussman ..... D6/406.5  
D382,727 S \* 8/1997 Kresge ..... D6/406.5  
D389,020 S \* 1/1998 LaJoie ..... D7/555  
D393,775 S \* 4/1998 Otero ..... D7/553.6  
D399,704 S \* 10/1998 Cousins ..... D7/553.4  
D413,488 S \* 9/1999 Foley ..... D7/553.4  
D459,950 S 7/2002 Bush et al.  
D469,659 S 2/2003 Gale  
6,752,288 B1 6/2004 Swift  
D534,816 S \* 1/2007 Newton ..... D9/755  
D557,072 S \* 12/2007 Lim ..... D7/505  
D563,726 S 3/2008 Fraser  
D591,560 S \* 5/2009 Lackey ..... D12/419  
D623,478 S 9/2010 Hayashi  
D625,960 S \* 10/2010 Lipfert ..... D7/553.6  
D651,048 S 12/2011 Gold  
D708,062 S 7/2014 Navarro  
8,973,796 B1 3/2015 Abusaoud et al.  
D731,247 S 6/2015 Kamei et al.  
D731,249 S \* 6/2015 Keeth ..... D7/554.2  
D734,099 S \* 7/2015 Fissell ..... D7/553.8  
D742,178 S 11/2015 Shames  
D766,665 S 9/2016 Shames  
D769,676 S 10/2016 Alleyne  
D776,485 S \* 1/2017 Bradley ..... D7/550.1  
D779,887 S 2/2017 Alleyne

D783,177 S \* 4/2017 Kawamura ..... D24/227  
D793,799 S \* 8/2017 Dunne ..... D7/354  
D798,677 S \* 10/2017 Paternostre ..... D8/1  
D799,340 S \* 10/2017 Shoshan ..... D9/737  
9,839,311 B2 12/2017 Shames  
D808,222 S \* 1/2018 Shames ..... D7/554.2  
D810,959 S \* 2/2018 Langhoff ..... D24/230  
2002/0027366 A1 3/2002 Bieri  
2015/0230643 A1 8/2015 Kamei et al.

FOREIGN PATENT DOCUMENTS

CN 3458160 7/2005  
CN 201536943 U 8/2010  
CN 103054434 A 4/2013  
CN 202932630 U 5/2013  
CN 304465319 1/2018  
CN 304465320 1/2018  
DE 202008001450 U1 6/2008  
EM 0000076950001 6/2003  
EM 0004086950001 11/2005  
EM 0004382470005 12/2005  
EM 0008881020001 3/2008  
EM 0015982020001 8/2009  
EM 0017400690003 9/2010  
EM 0024292820002 6/2014  
EM 0024931140001 7/2014  
FR 2865124 A1 7/2005  
GB 205038 A 3/1996  
GB 2338402 A 12/1999  
GB 3017536 2/2006  
IL 43704 1/2009  
IL 48439 10/2011  
IL 49780 7/2012  
JP D1158044 11/2002  
JP D1358998 5/2009  
JP D1575108 5/2017  
WO 200534694 A1 4/2005

OTHER PUBLICATIONS

Anonymous, Vintage Minnesota pine cone theme metal beverage serving tray souvenir; <https://www.ebay.ca/itm/VINTAGE-MINNESOTA-PINE-CONE-THEME-METAL-BEVERAGE-SERVING-TRAY-SOUVENIER/> 332527280569?hash=item4d6c2ba1b9:g:oMsAAOSw8gVYACJD; Accessed: Feb. 15, 2018.  
Anonymous, Vintage Pennsylvania tin drink serving tray souvenir with flowers, Etsy, URL: <https://www.etsy.com/in-en/listing/491888539/vintage-pennsylvania-tin-drink-serving?>, Published/ Accessed: Feb. 15, 2018.

\* cited by examiner

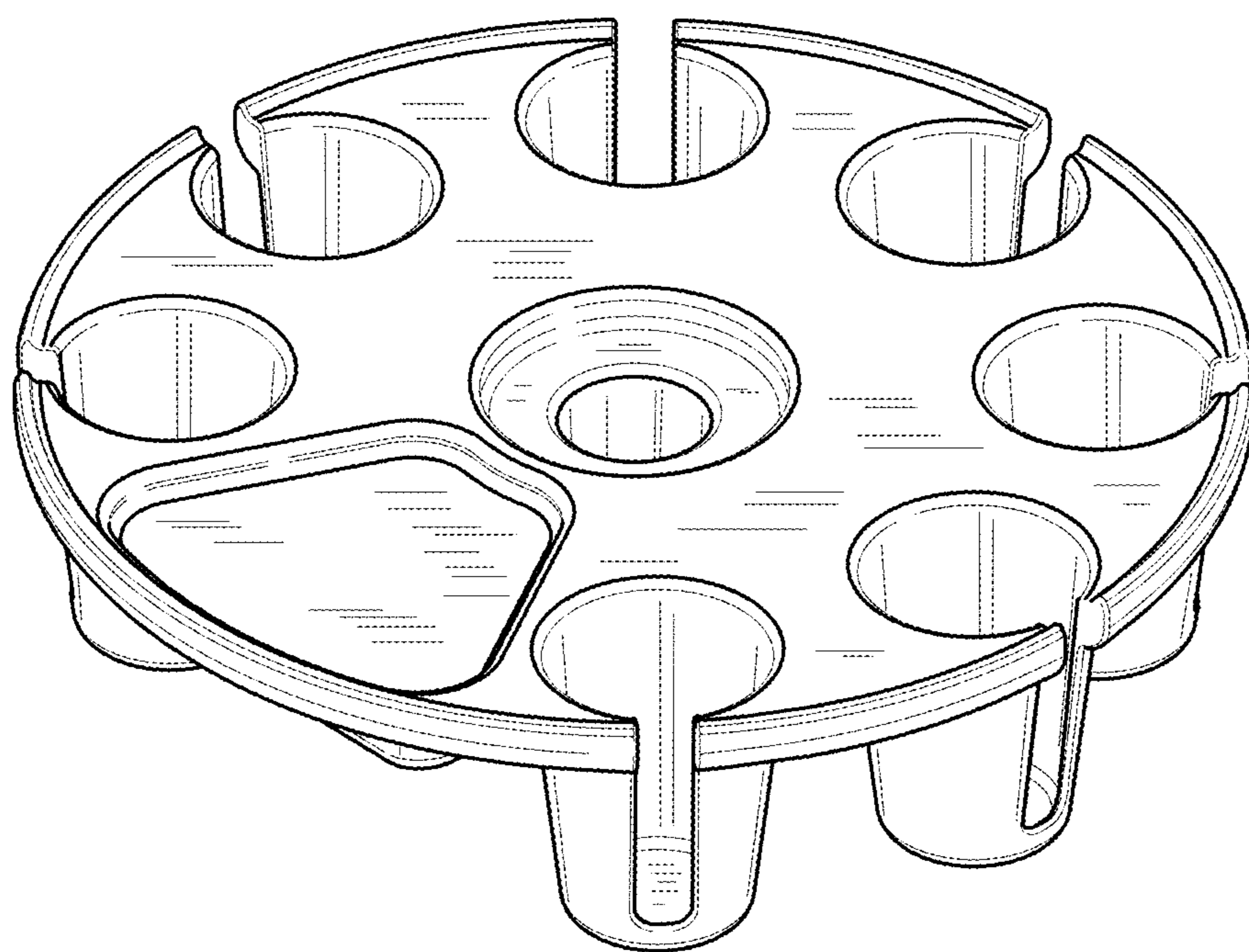


FIG. 1

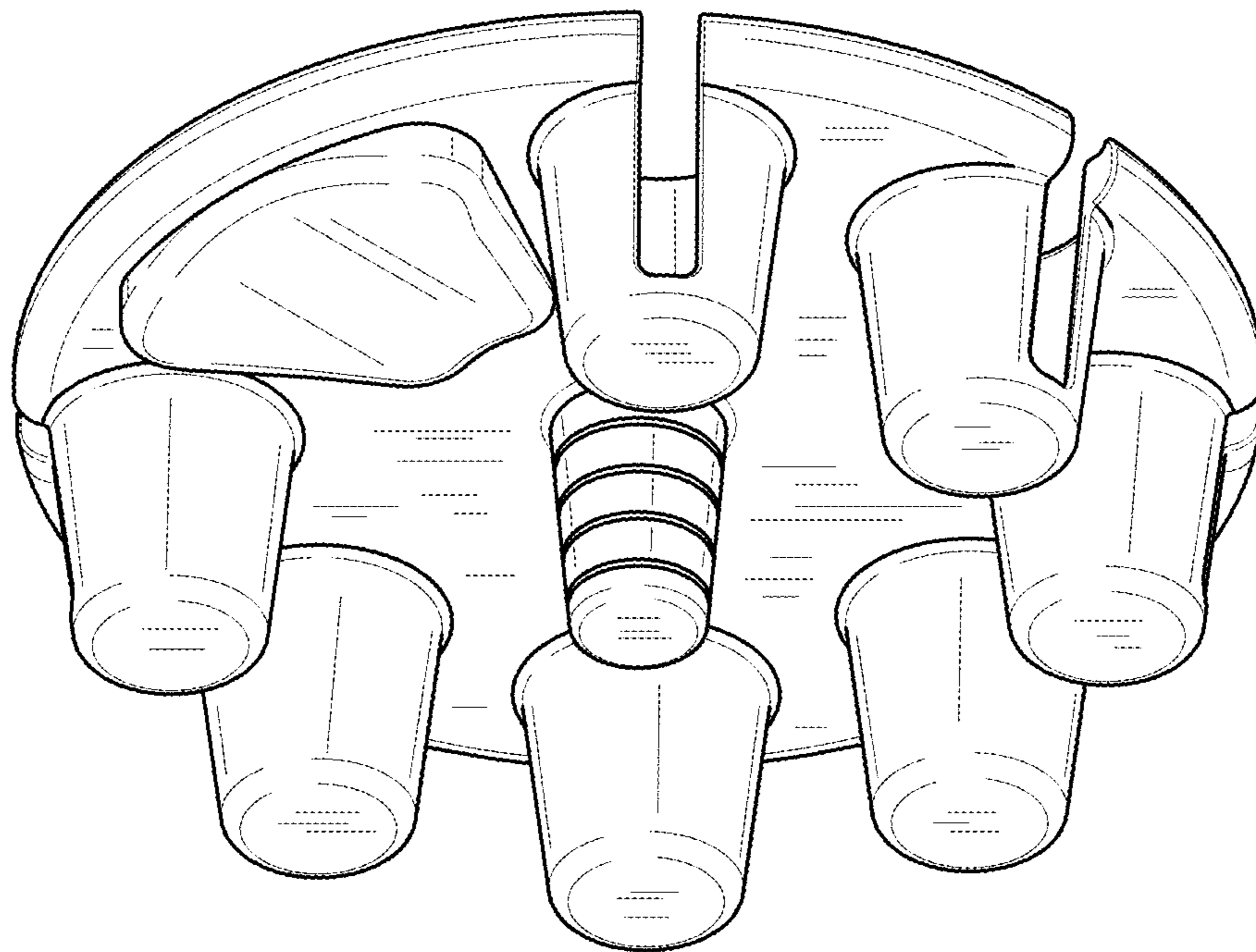


FIG. 2

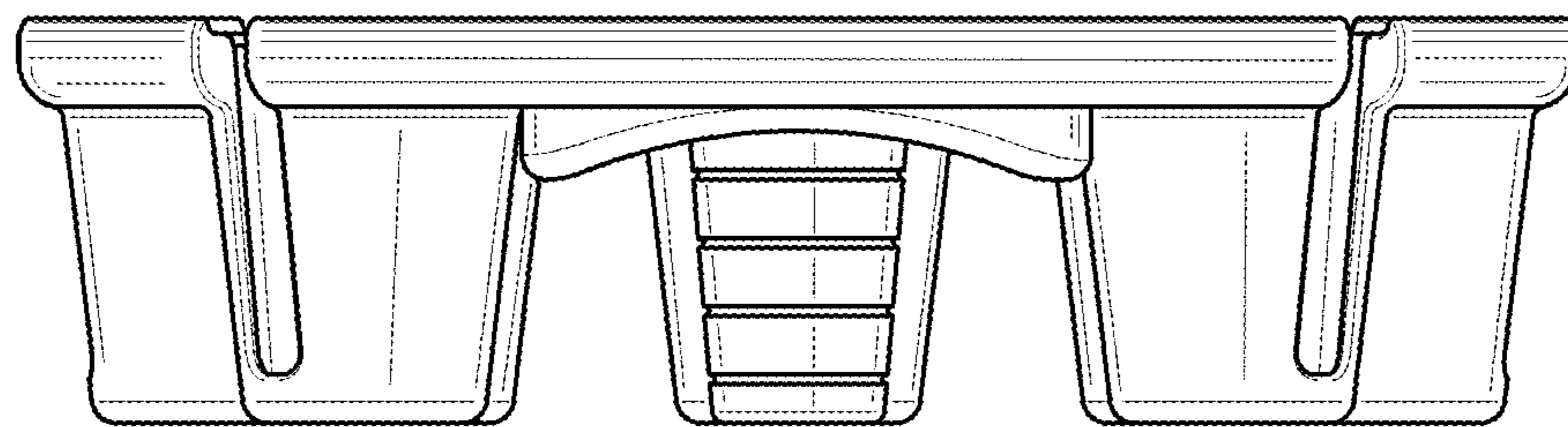


FIG. 3

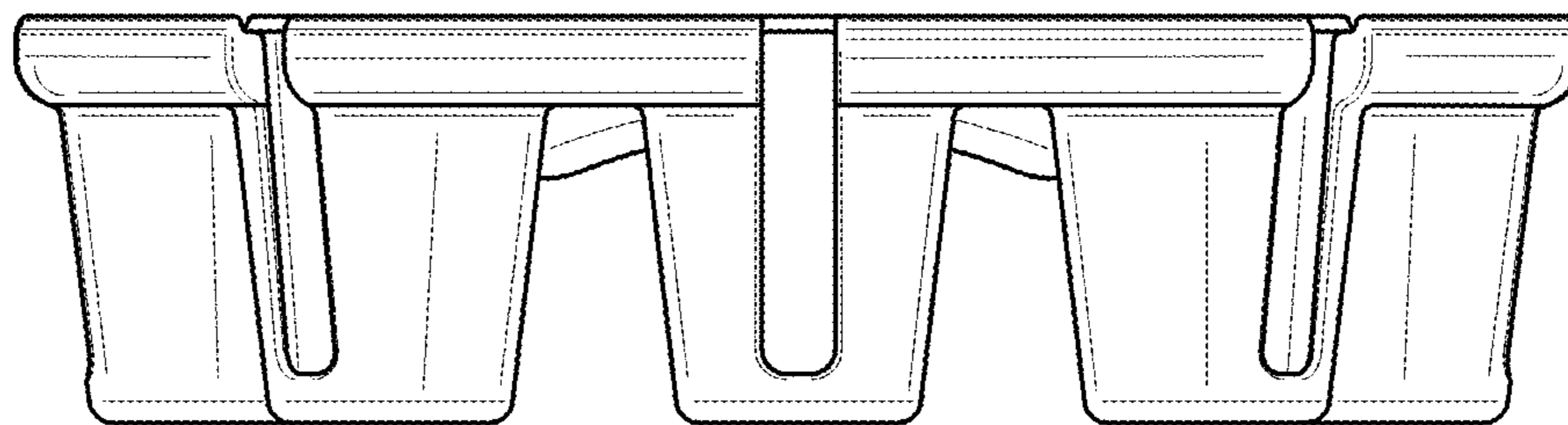


FIG. 4

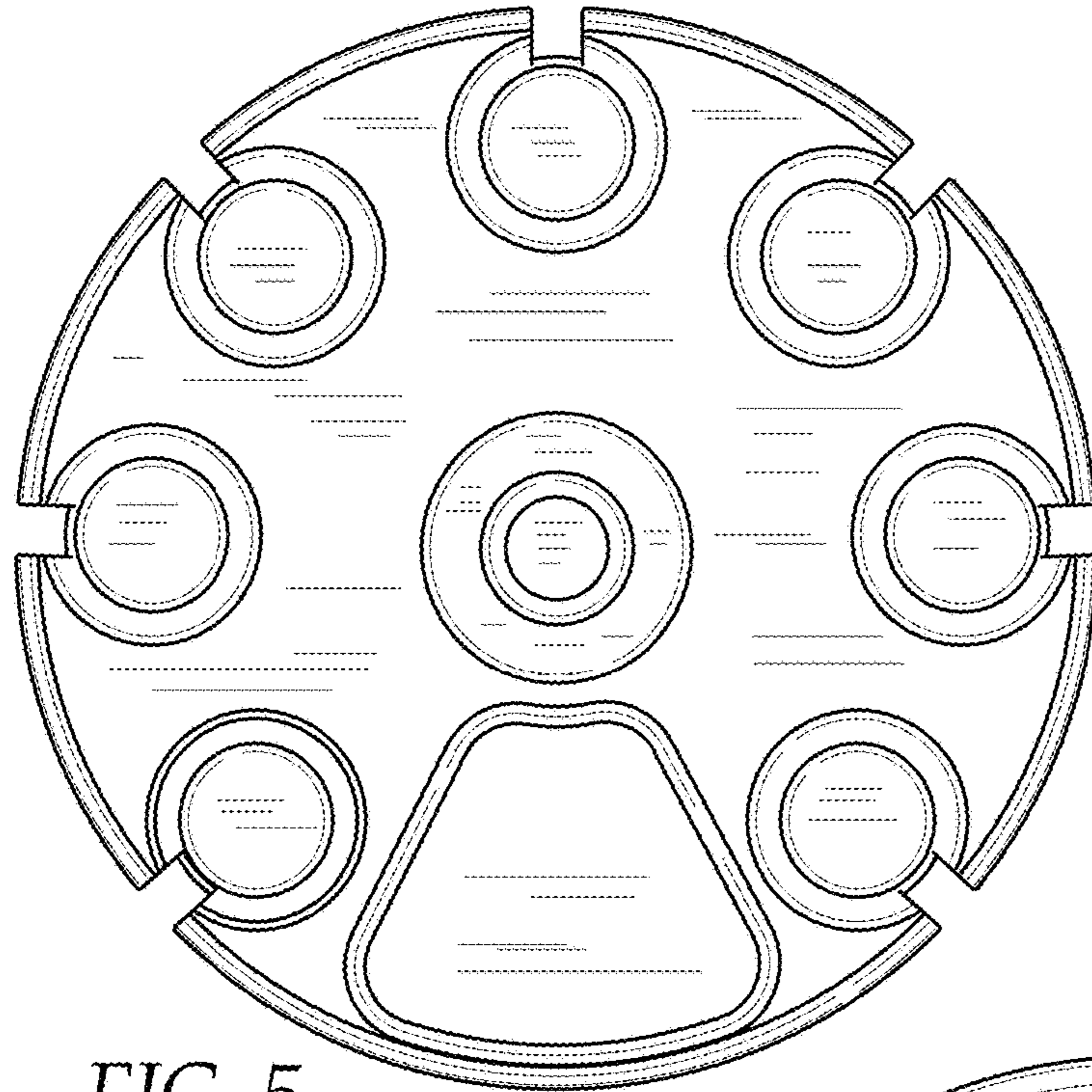


FIG. 5

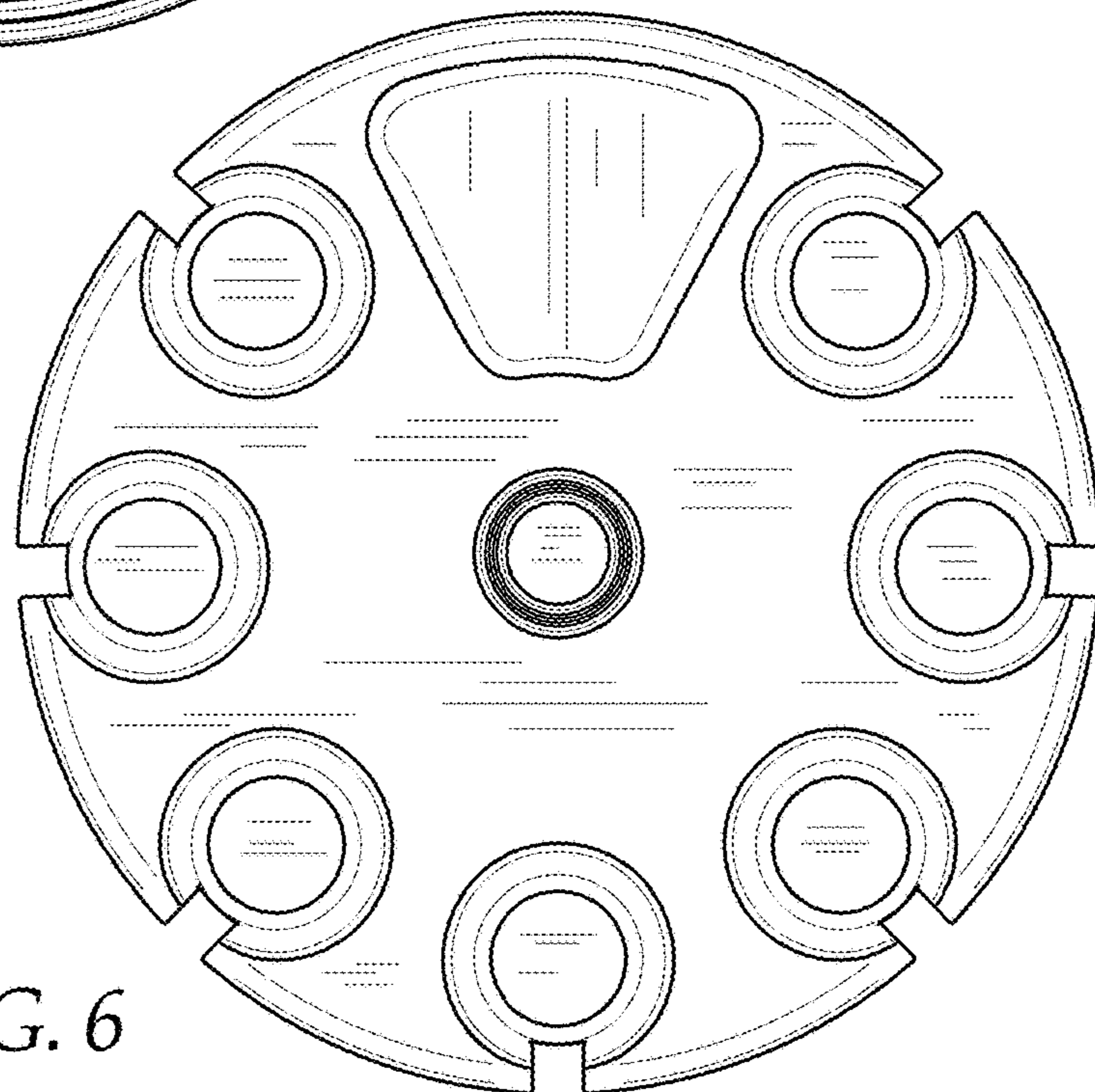


FIG. 6

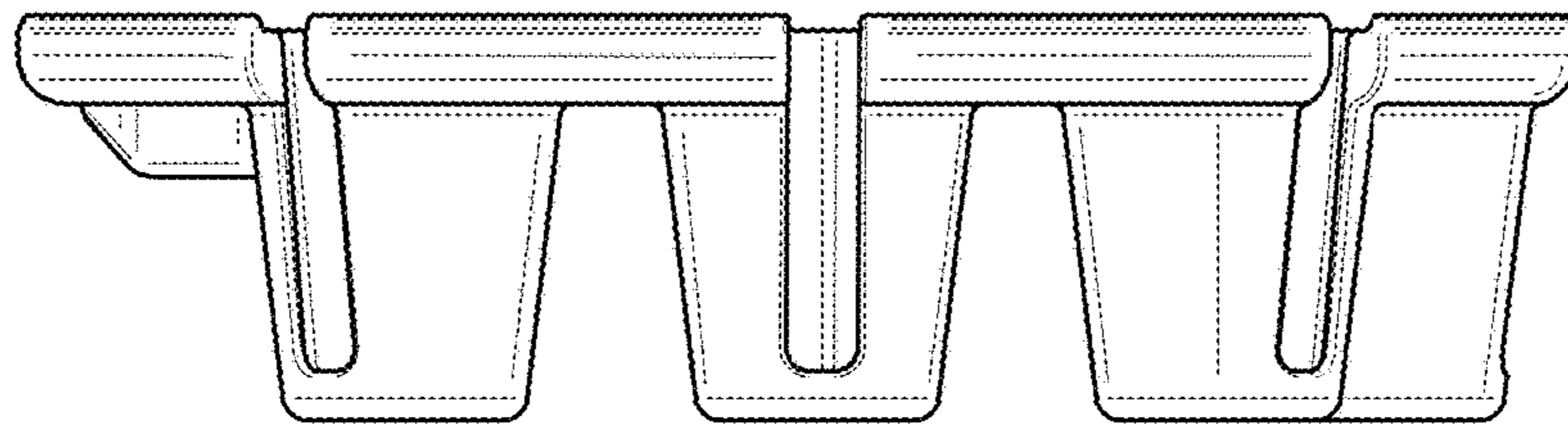


FIG. 7

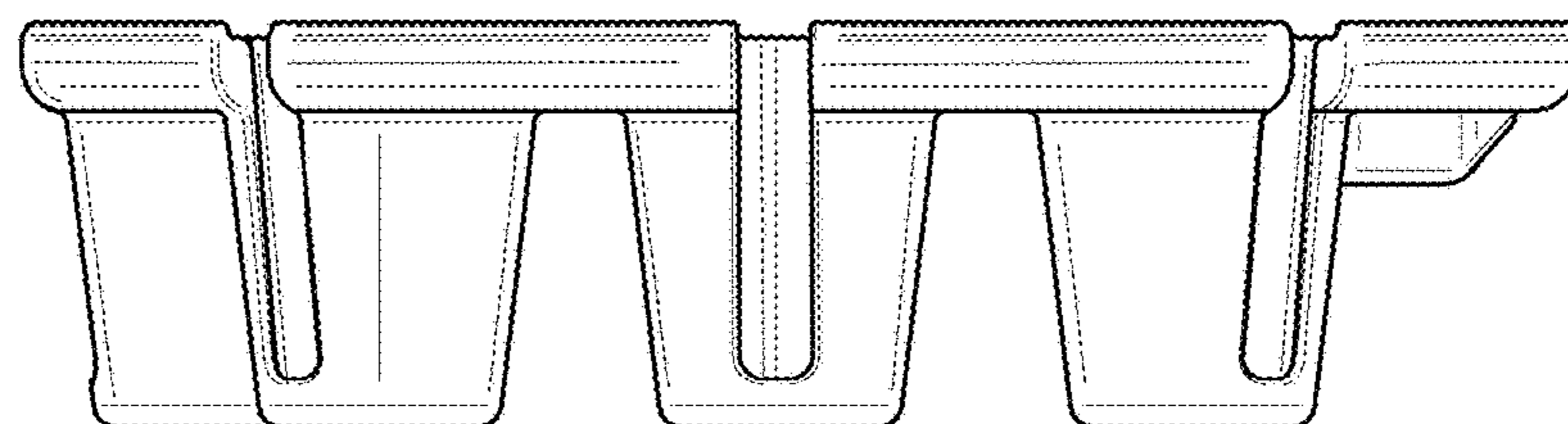


FIG. 8

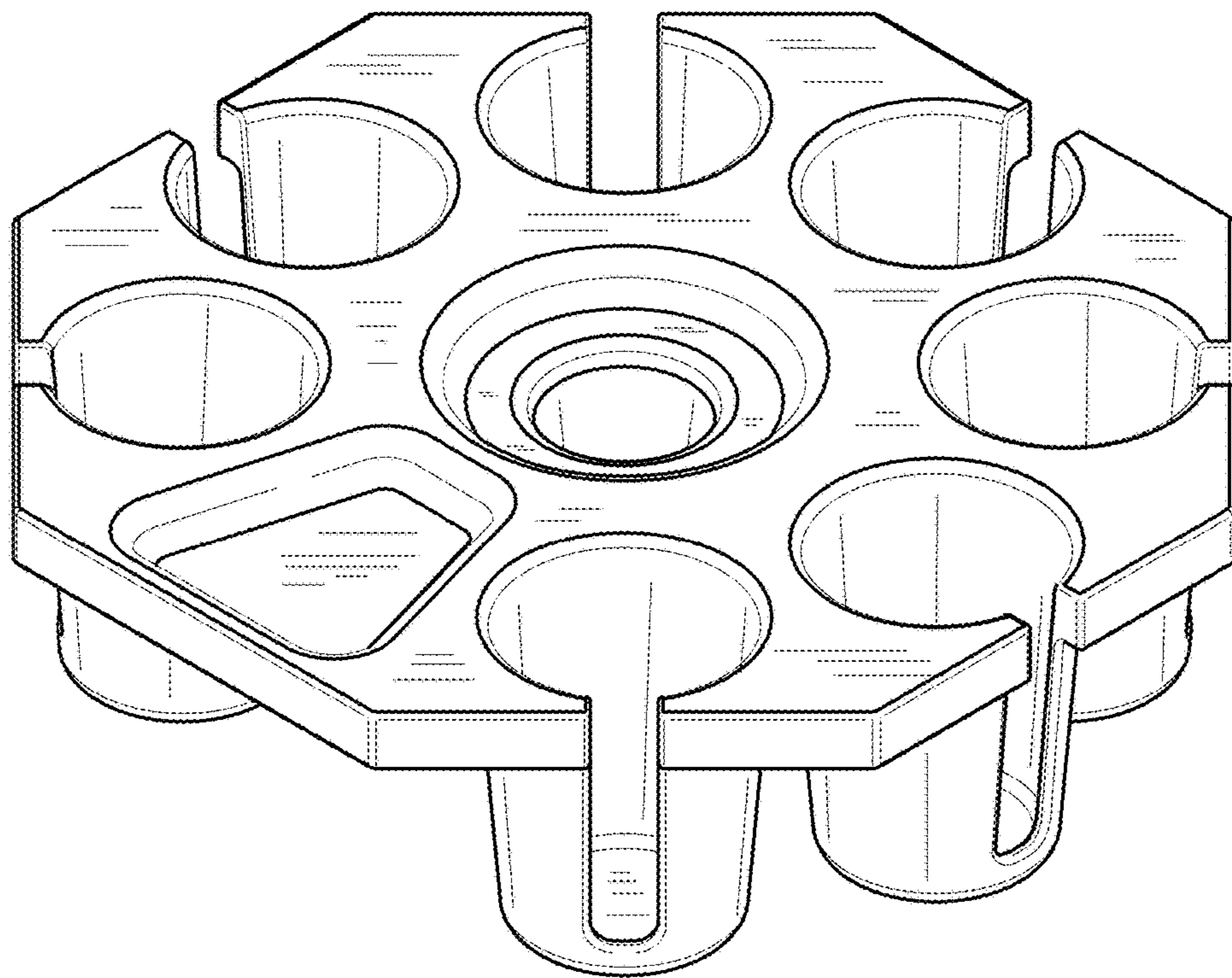


FIG. 9



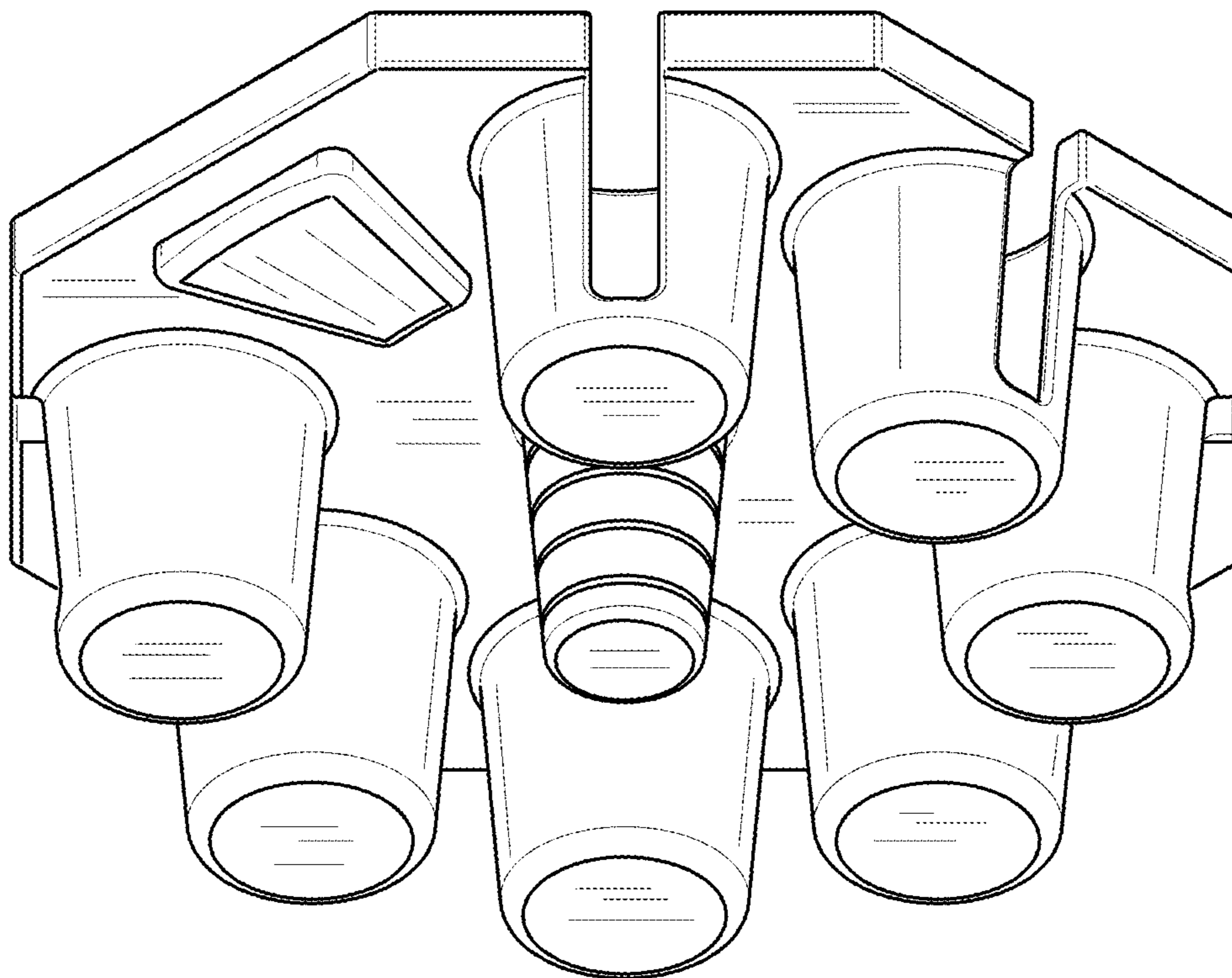
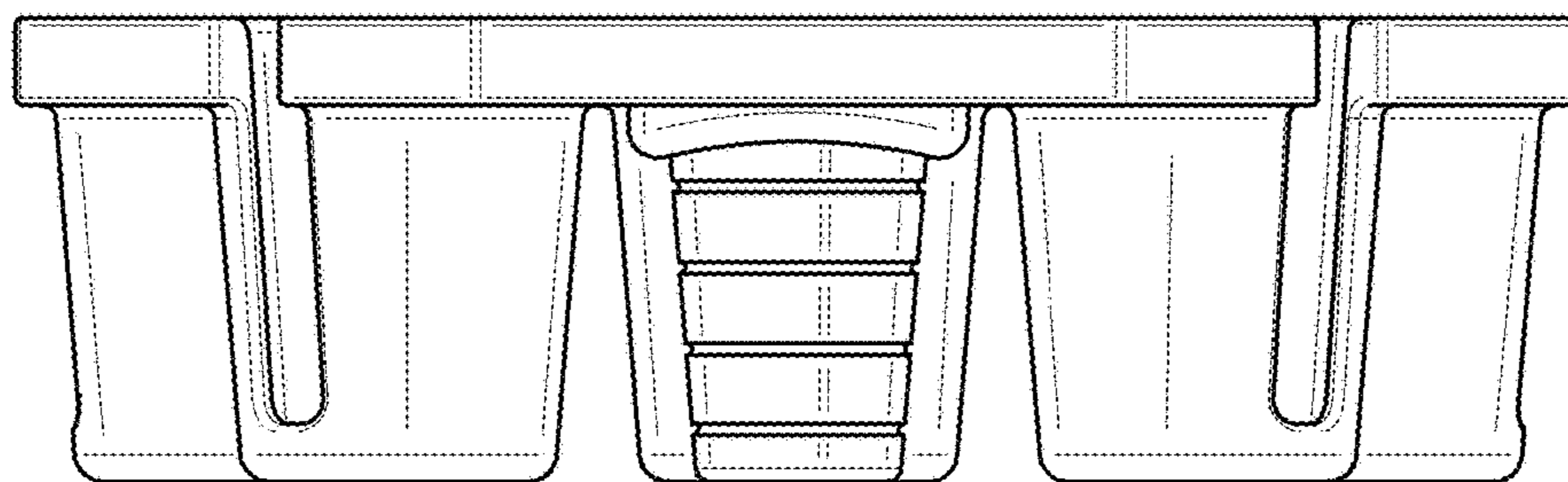
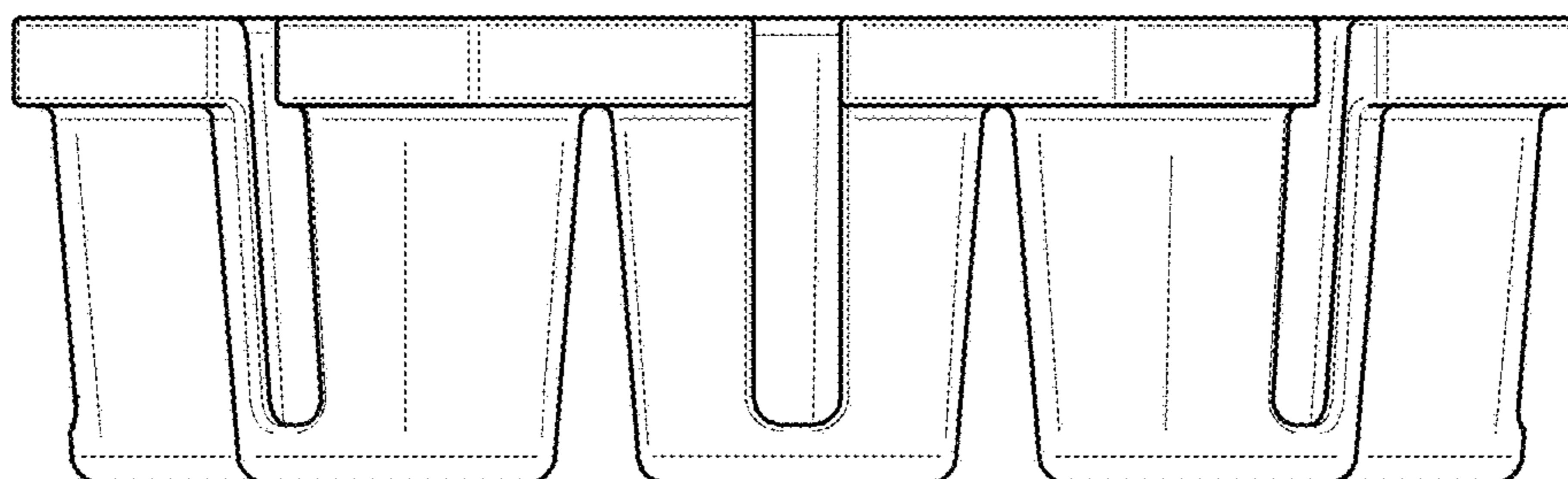


FIG. 10



*FIG. 11*



*FIG. 12*

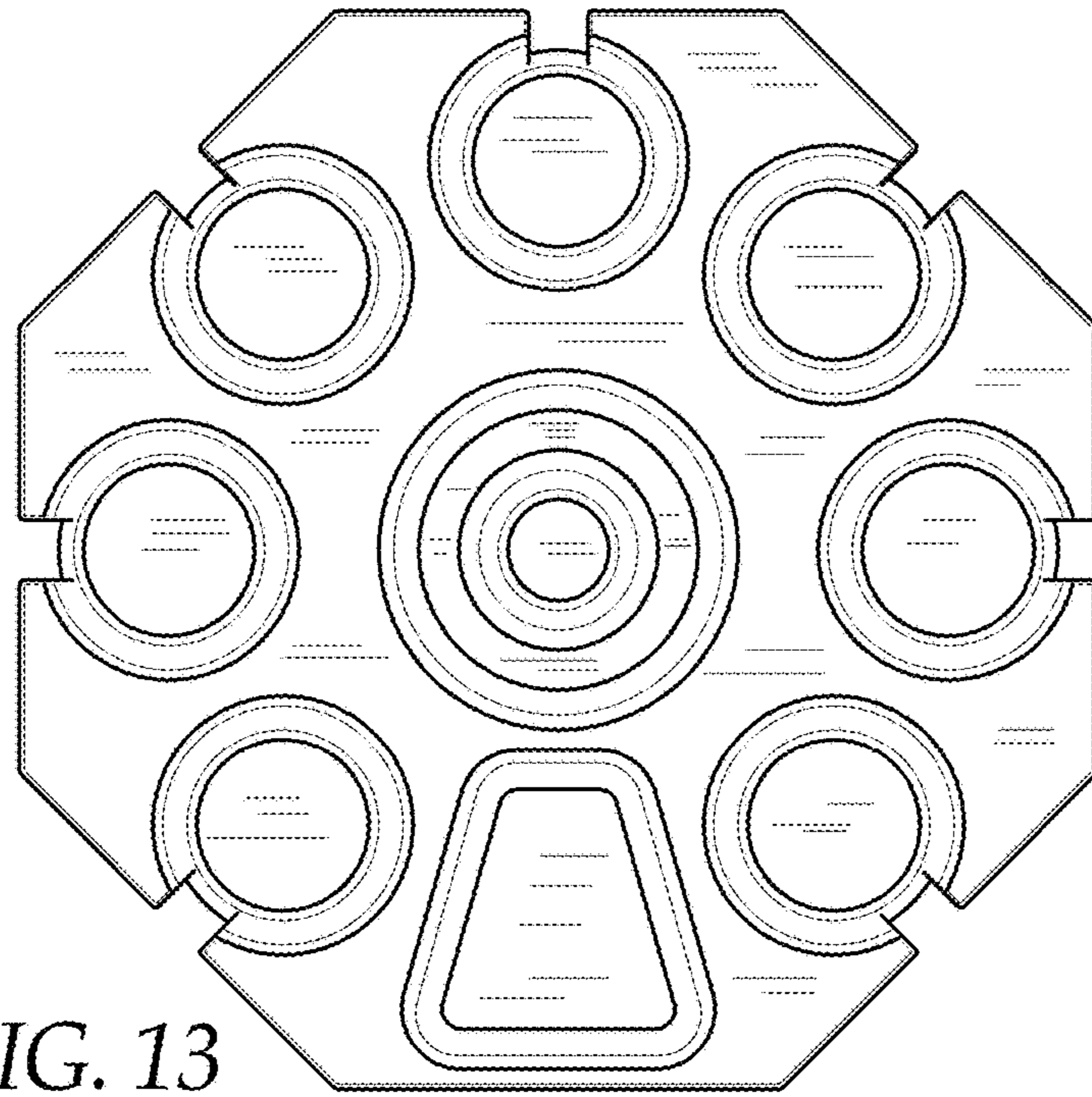


FIG. 13

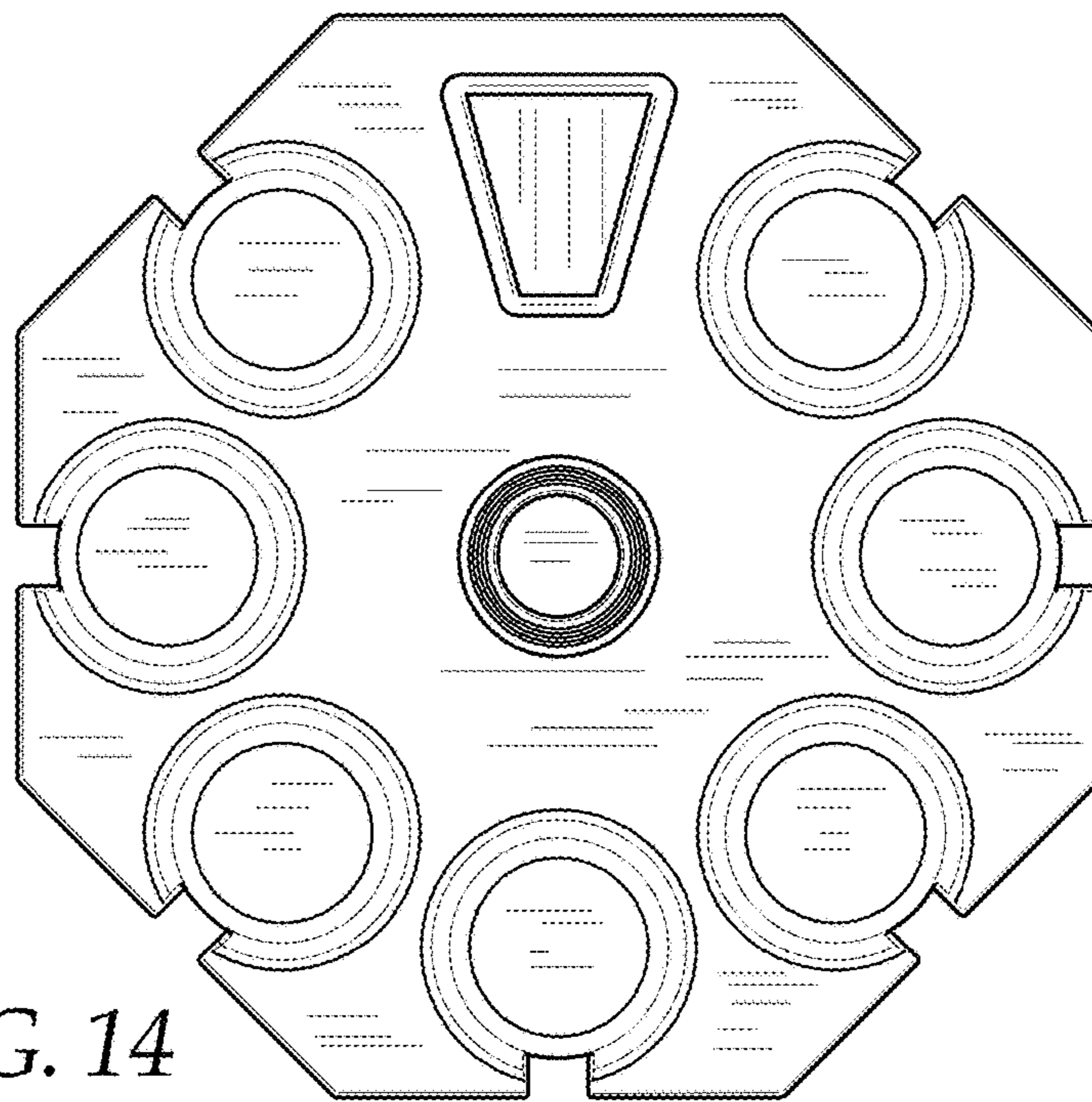
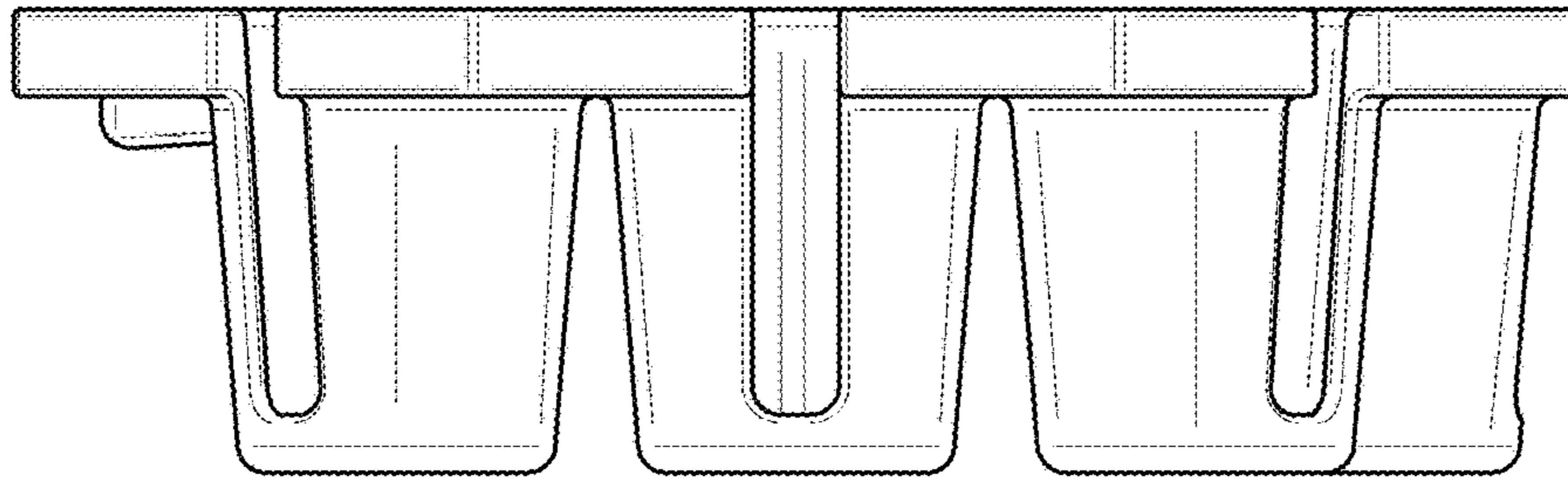
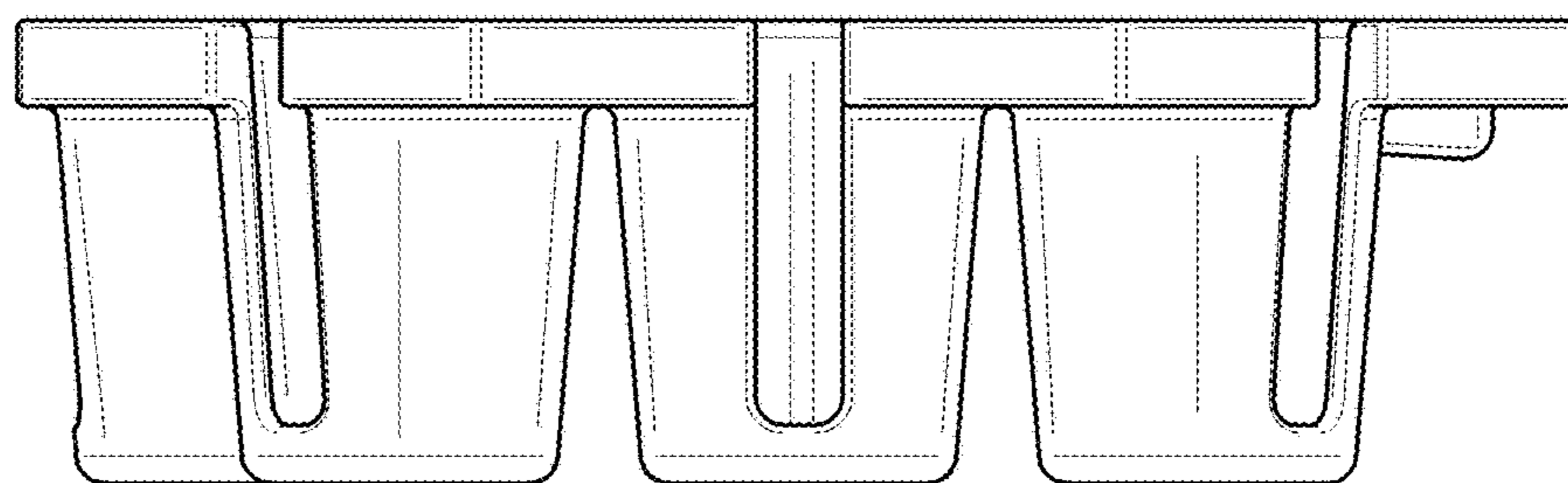


FIG. 14



*FIG. 15*



*FIG. 16*

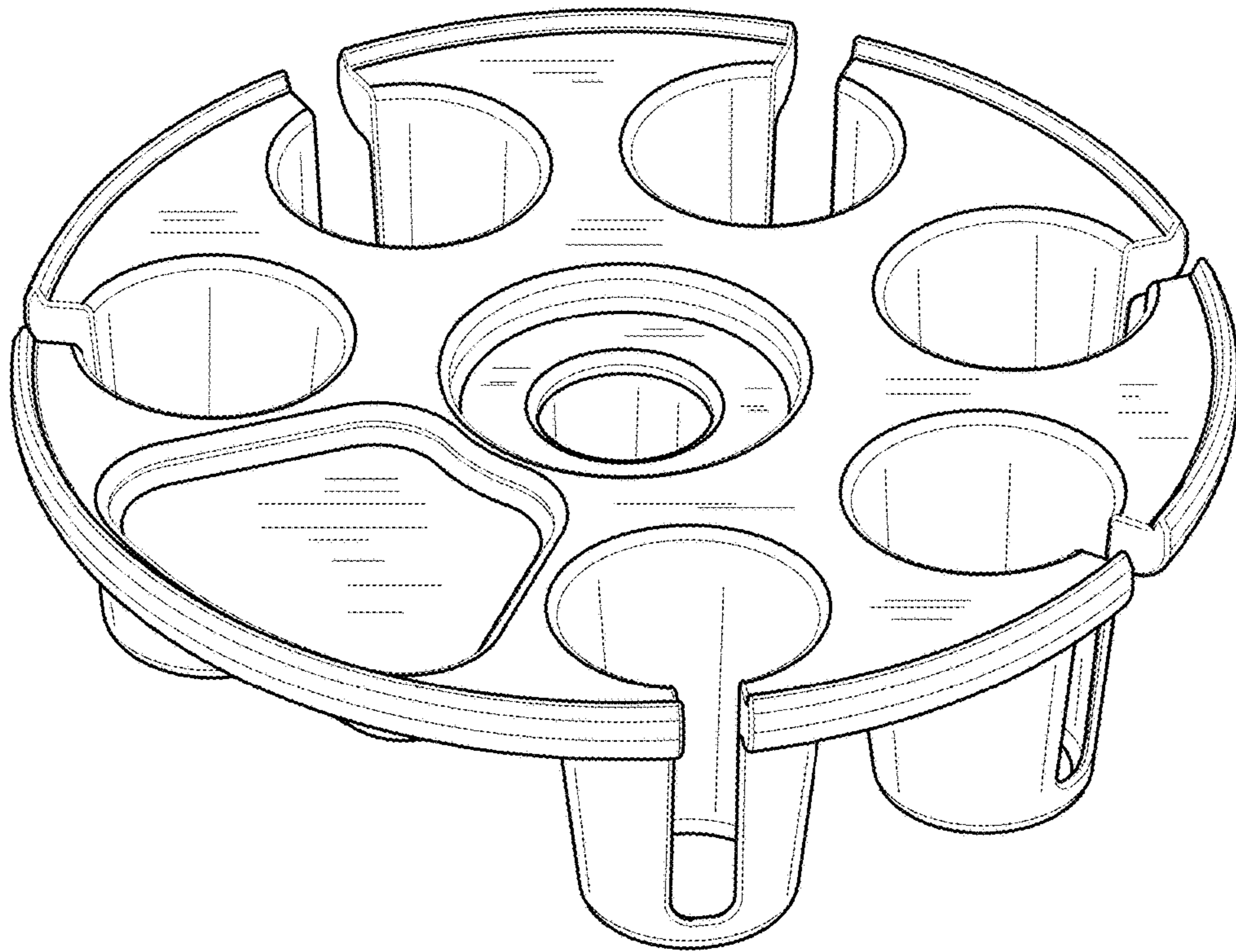


FIG. 17

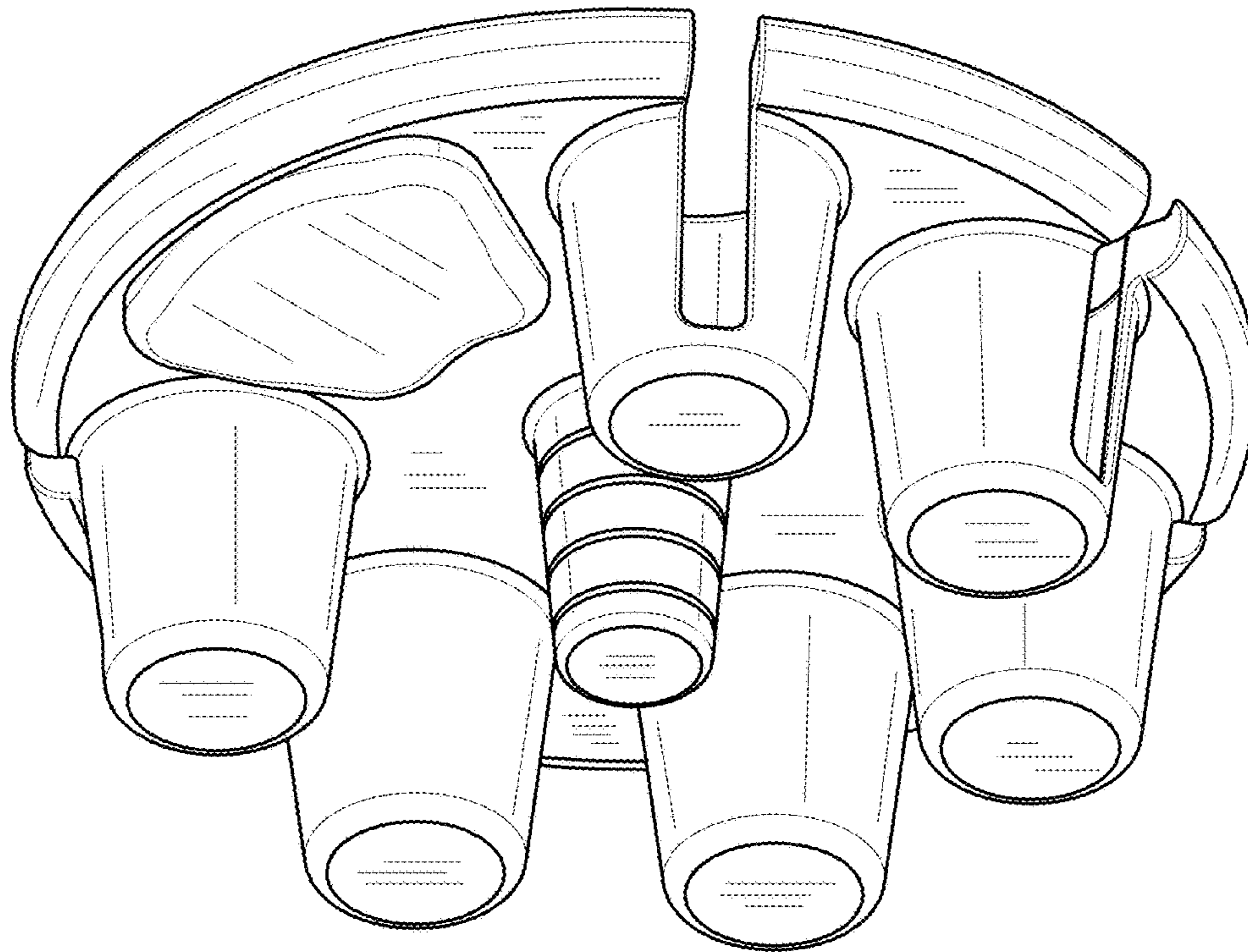


FIG. 18

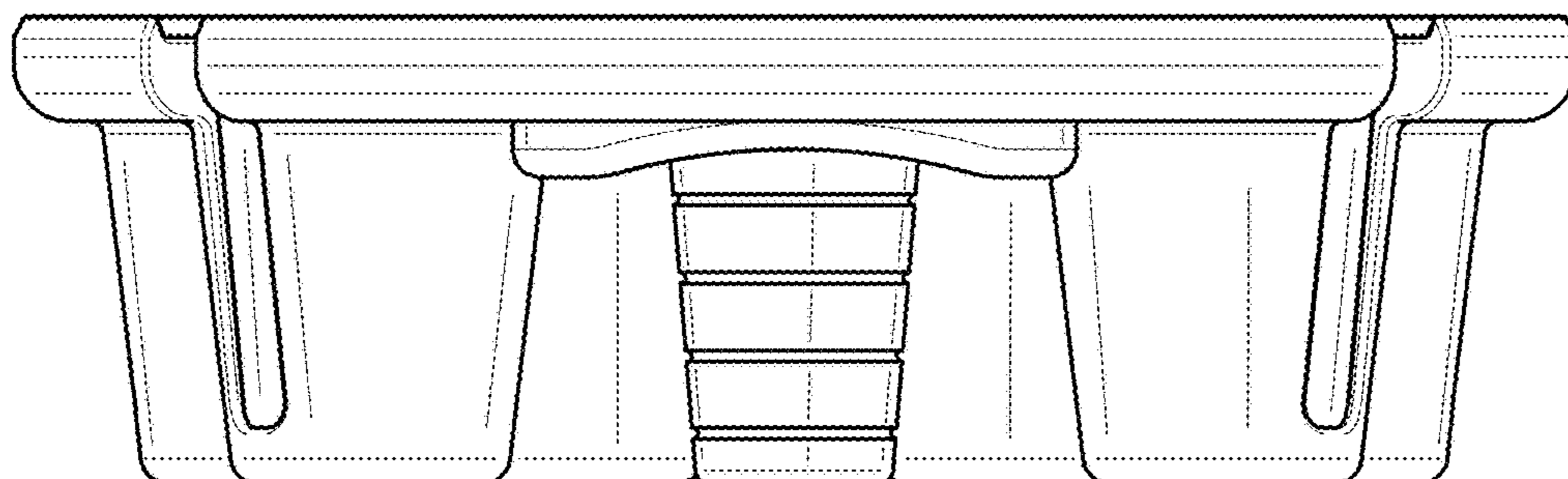


FIG. 19

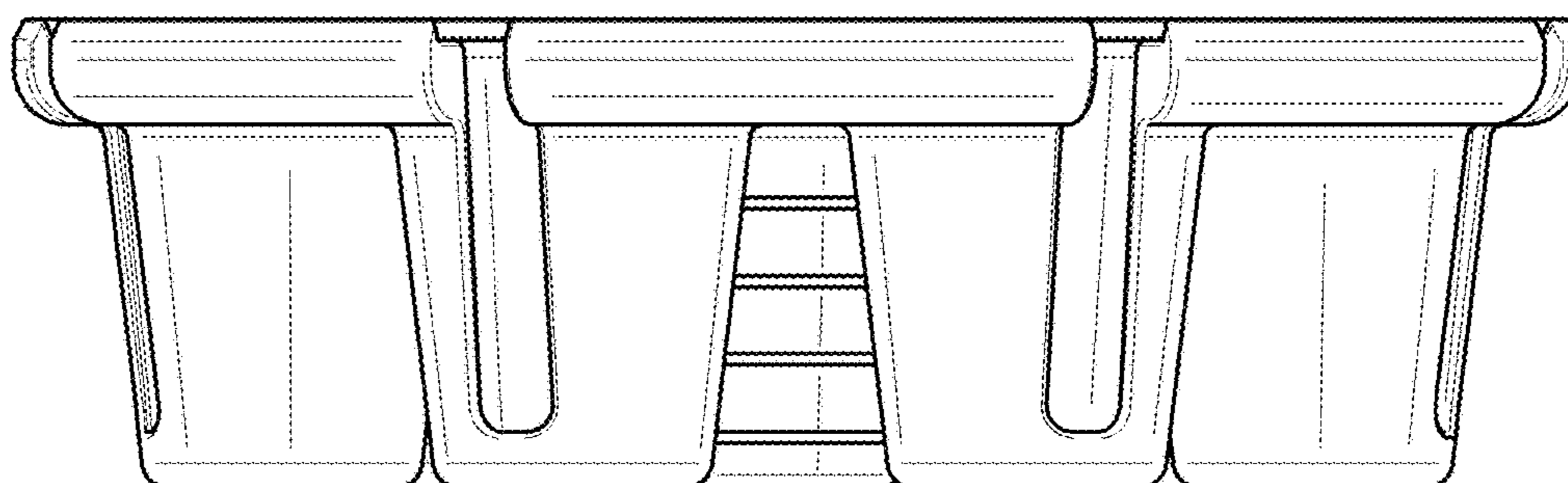


FIG. 20

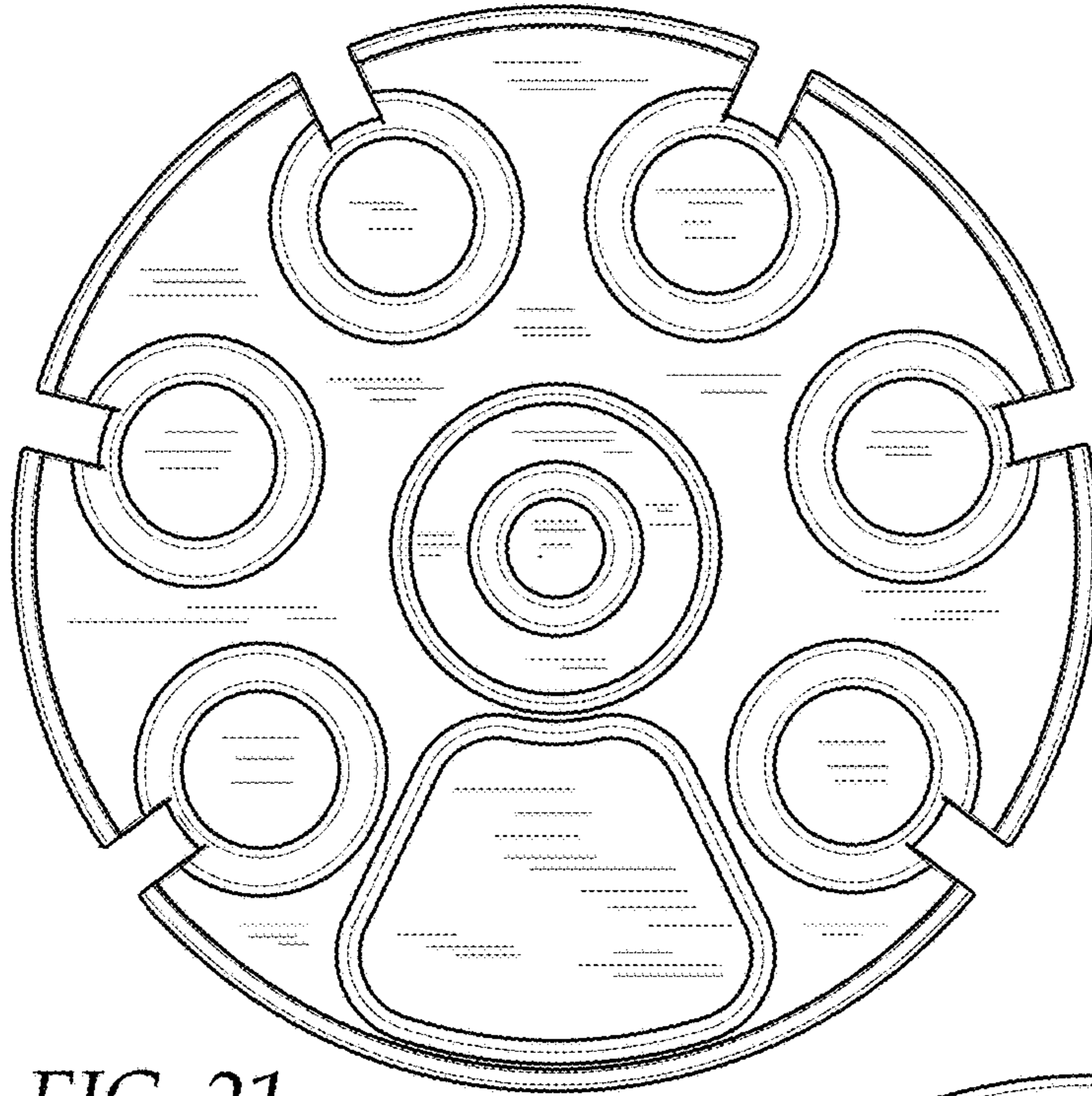


FIG. 21

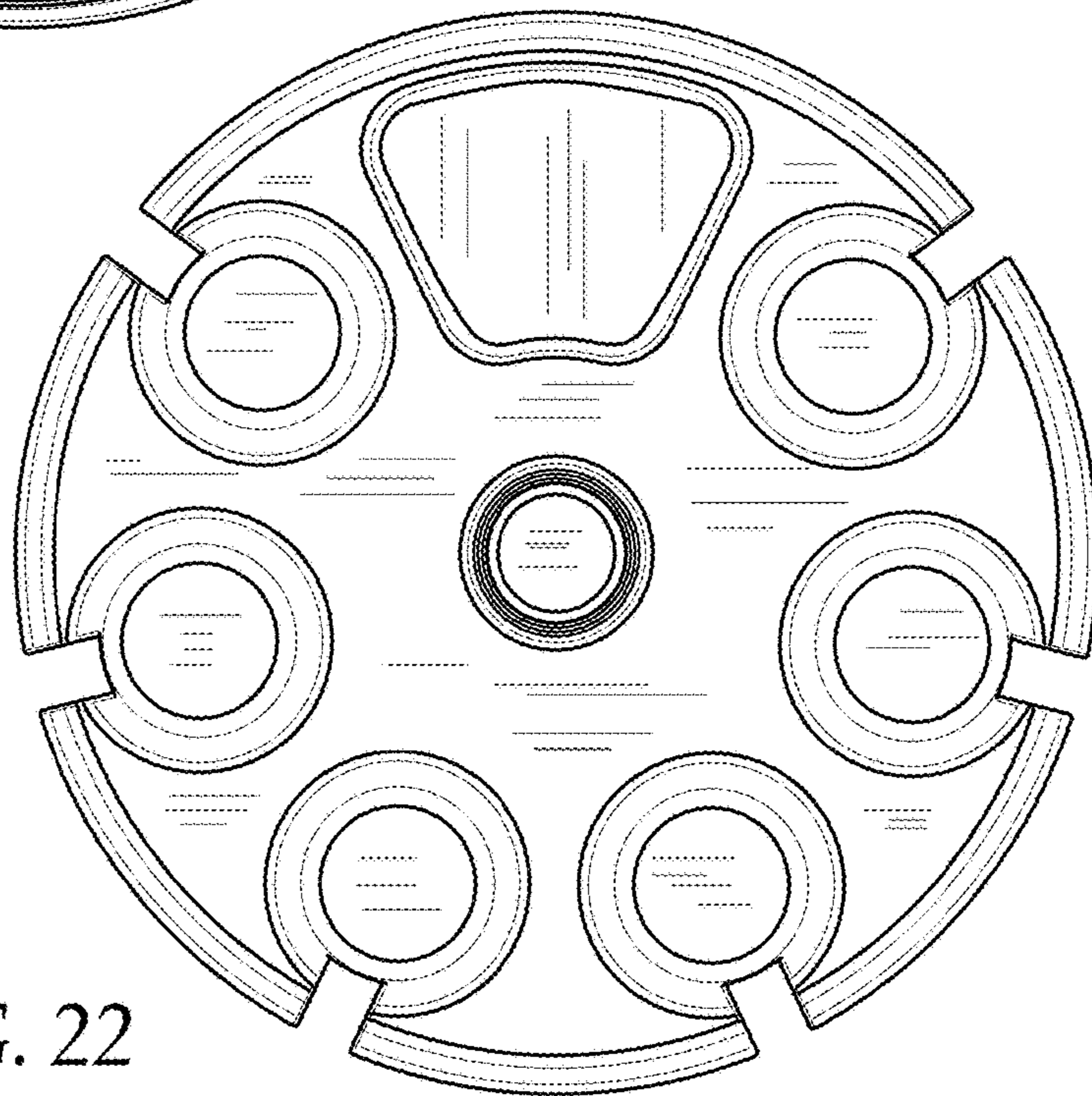


FIG. 22



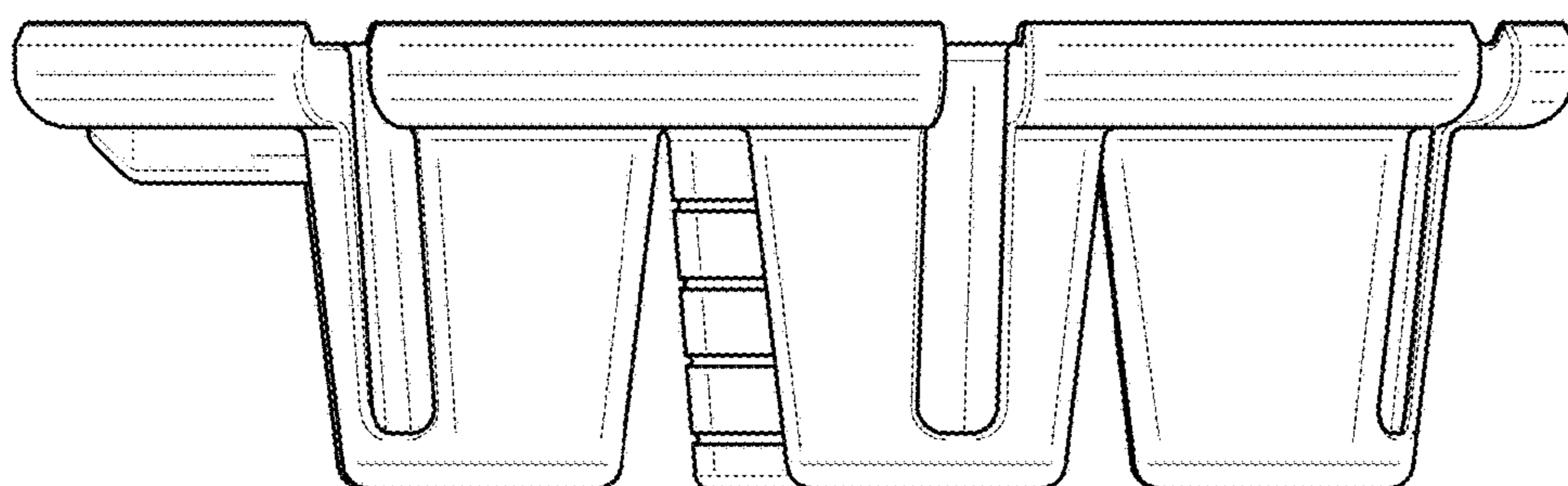


FIG. 23

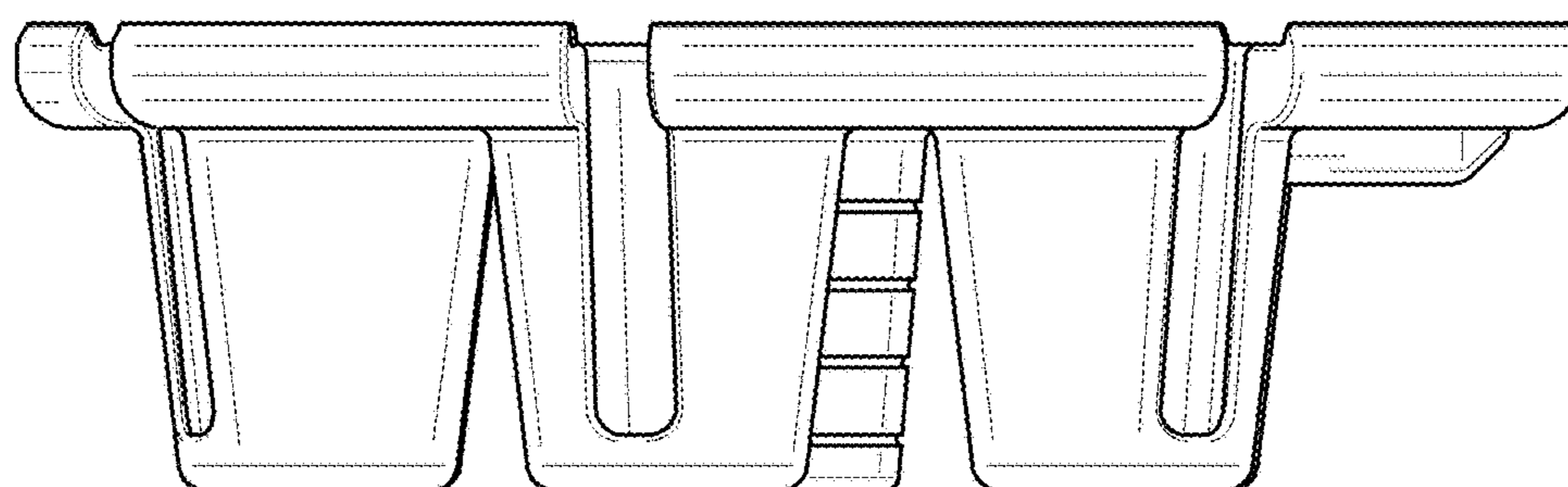


FIG. 24