



US00D825995S

(12) **United States Design Patent**
Kestenbaum

(10) **Patent No.:** **US D825,995 S**

(45) **Date of Patent:** **** Aug. 21, 2018**

(54) **TRAVEL MUG**

(74) *Attorney, Agent, or Firm* — Cantor Colburn LLP

(71) Applicant: **SHARKNINJA OPERATING LLC**,
Newton, MA (US)

(57) **CLAIM**

The ornamental design for a travel mug, as shown and described.

(72) Inventor: **Daniel Kestenbaum**, Brookline, MA
(US)

(73) Assignee: **SHARKNINJA OPERATING LLC**,
Needham, MA (US)

DESCRIPTION

(**) Term: **15 Years**

(21) Appl. No.: **29/613,003**

(22) Filed: **Aug. 7, 2017**

Related U.S. Application Data

(62) Division of application No. 29/552,495, filed on Jan.
22, 2016.

(51) **LOC (11) Cl.** **07-01**

(52) **U.S. Cl.**
USPC **D7/532; D7/523**

(58) **Field of Classification Search**
USPC D7/500, 501, 505, 507, 509, 510, 511,
D7/512, 523, 532, 534, 608, 607, 550.1,
(Continued)

FIG. 1 is a perspective view of a first embodiment of a travel mug showing our new design;
FIG. 2 is a front view of the embodiment shown in FIG. 1;
FIG. 3 is a back view of the embodiment shown in FIG. 1;
FIG. 4 is side view of the embodiment shown in FIG. 1;
FIG. 5 is another side view of the embodiment shown in FIG. 1;
FIG. 6 is a top view of the embodiment shown in FIG. 1;
FIG. 7 is a bottom view of the embodiment shown in FIG. 1;
FIG. 8 is a rear perspective view of the embodiment shown in FIG. 1;
FIG. 9 is a perspective view of a second embodiment of a travel mug;
FIG. 10 is a front view of the embodiment shown in FIG. 9;
FIG. 11 is a back view of the embodiment shown in FIG. 9;
FIG. 12 is side view of the embodiment shown in FIG. 9;
FIG. 13 is another side view of the embodiment shown in FIG. 9;
FIG. 14 is a top view of the embodiment shown in FIG. 9;
FIG. 15 is a bottom view of the embodiment shown in FIG. 9; and,
FIG. 16 is a rear perspective view of the embodiment shown in FIG. 9.

(56) **References Cited**

U.S. PATENT DOCUMENTS

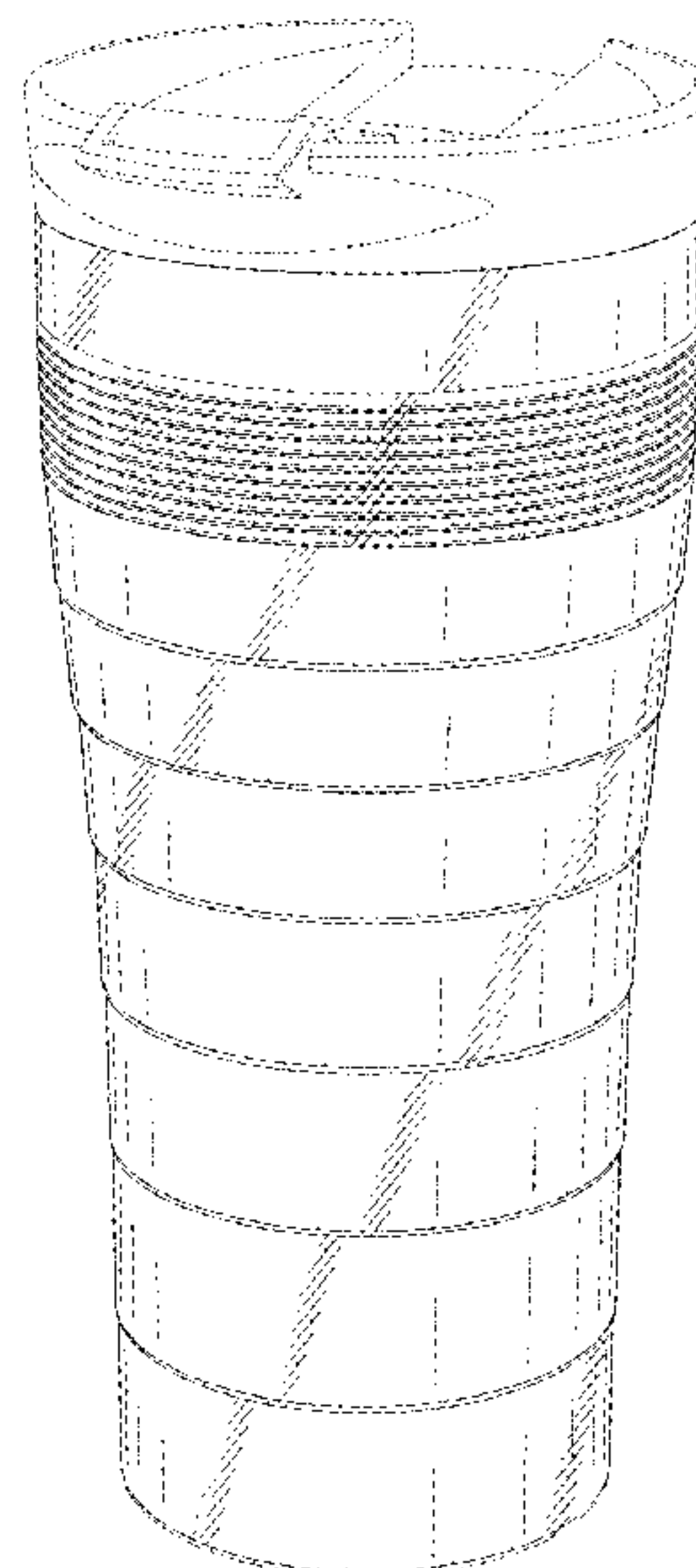
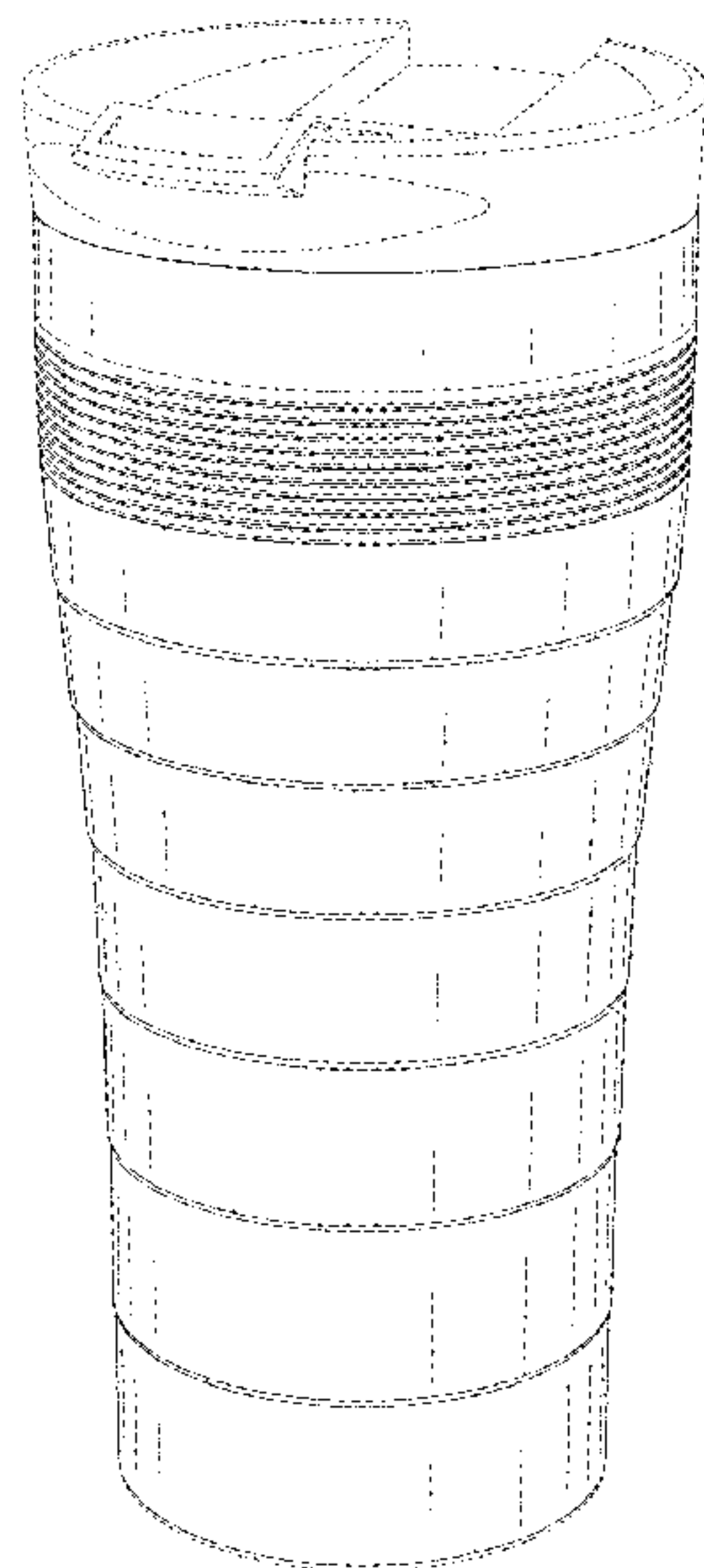
1,260,779 A * 3/1918 Koos B65D 21/086
220/731
2,880,902 A * 4/1959 Owsen A45F 3/20
200/85 R

(Continued)

The broken lines in the figures are for environmental purposes only and form no part of the claimed design.
The oblique line shading shown in FIGS. 9-16 depicts a metallic surface.

Primary Examiner — Marianne Pandozzi
Assistant Examiner — Jae Liang

1 Claim, 14 Drawing Sheets



US D825,995 S

(58) **Field of Classification Search**

USPC D7/553.1, 553.2, 554.3, 555, 669, 667;
D9/414, 430, 431, 740, 759, 756, 440,
D9/551, 556, 559, 562, 569, 504, 503,
D9/447; D3/203.3, 203.2, 205, 283, 202,
D3/288, 903, 901; D28/77, 83, 4;
D19/77, 92, 81, 90, 95, 65, 102, 103,
D19/105, 106, 107, 109; D6/301;
215/388; 220/703, 669, 667, 62.12,
220/592.16, 592.17, 666; D24/197
CPC .. A47G 19/30; A47G 19/022; A47G 23/0608;
A47G 23/0633; A47G 23/06; A47G
2019/2277; A45F 2003/205; B65D
21/086; B65D 1/0292; Y10S 215/90

See application file for complete search history.

(56) **References Cited**

U.S. PATENT DOCUMENTS

3,220,544 A * 11/1965 Lovell A61J 7/0046
206/218

3,471,058 A * 10/1969 Latham B65D 21/086
190/107
D272,794 S * 2/1984 Dart D7/532
D397,905 S * 9/1998 Hsu D7/316
D468,588 S * 1/2003 Norris D7/510
6,666,329 B1 * 12/2003 Charbonneau A61J 7/0046
206/218
D485,759 S * 1/2004 Janky D7/392.1
D534,038 S * 12/2006 Kramer D7/510
D538,993 S * 3/2007 Cabeza D34/1
D544,303 S * 6/2007 Strepkoff D7/512
D606,808 S * 12/2009 Germann D7/510
D643,245 S * 8/2011 Minarsch D7/392.1
D644,060 S * 8/2011 Komeiji D7/392.1
D674,663 S * 1/2013 Cahen D7/510
D691,416 S * 10/2013 Eyal D7/396.2
9,044,082 B2 * 6/2015 Kusuma A45F 3/20
D747,925 S * 1/2016 Engler D7/510
D756,709 S * 5/2016 Weitman D7/509
D761,618 S * 7/2016 Lapsker D7/392.1
2011/0303659 A1 * 12/2011 Perlman A45F 3/20
220/8

* cited by examiner

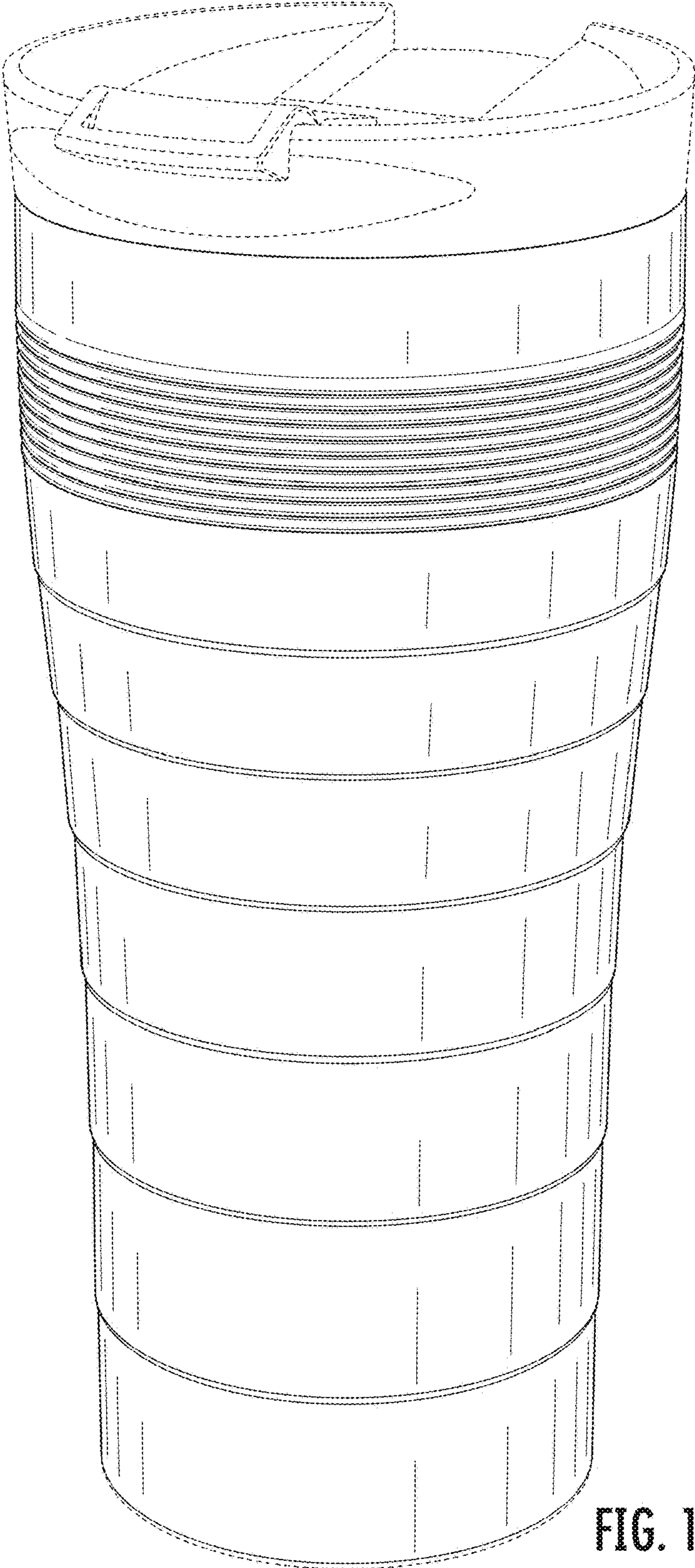


FIG. 1

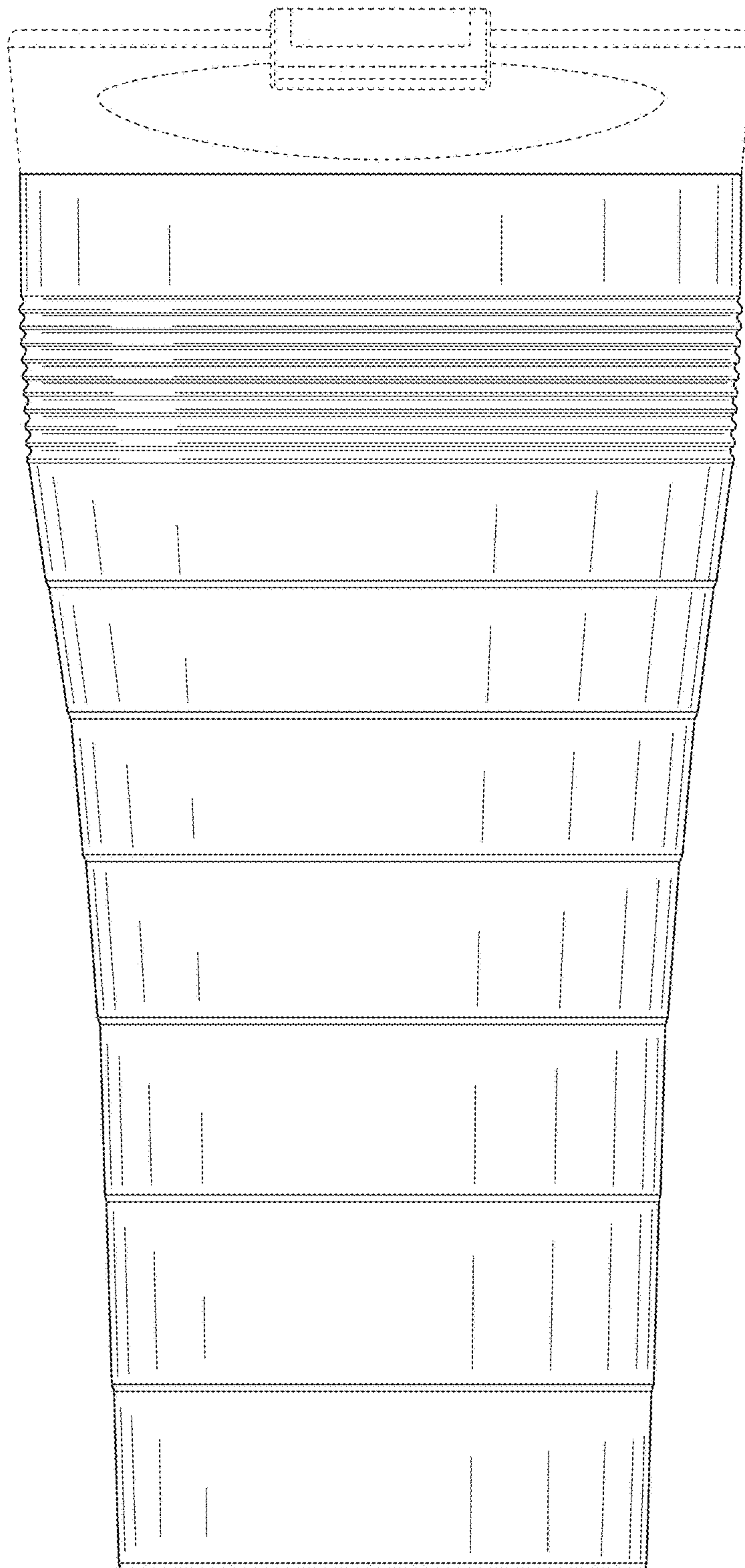


FIG. 2

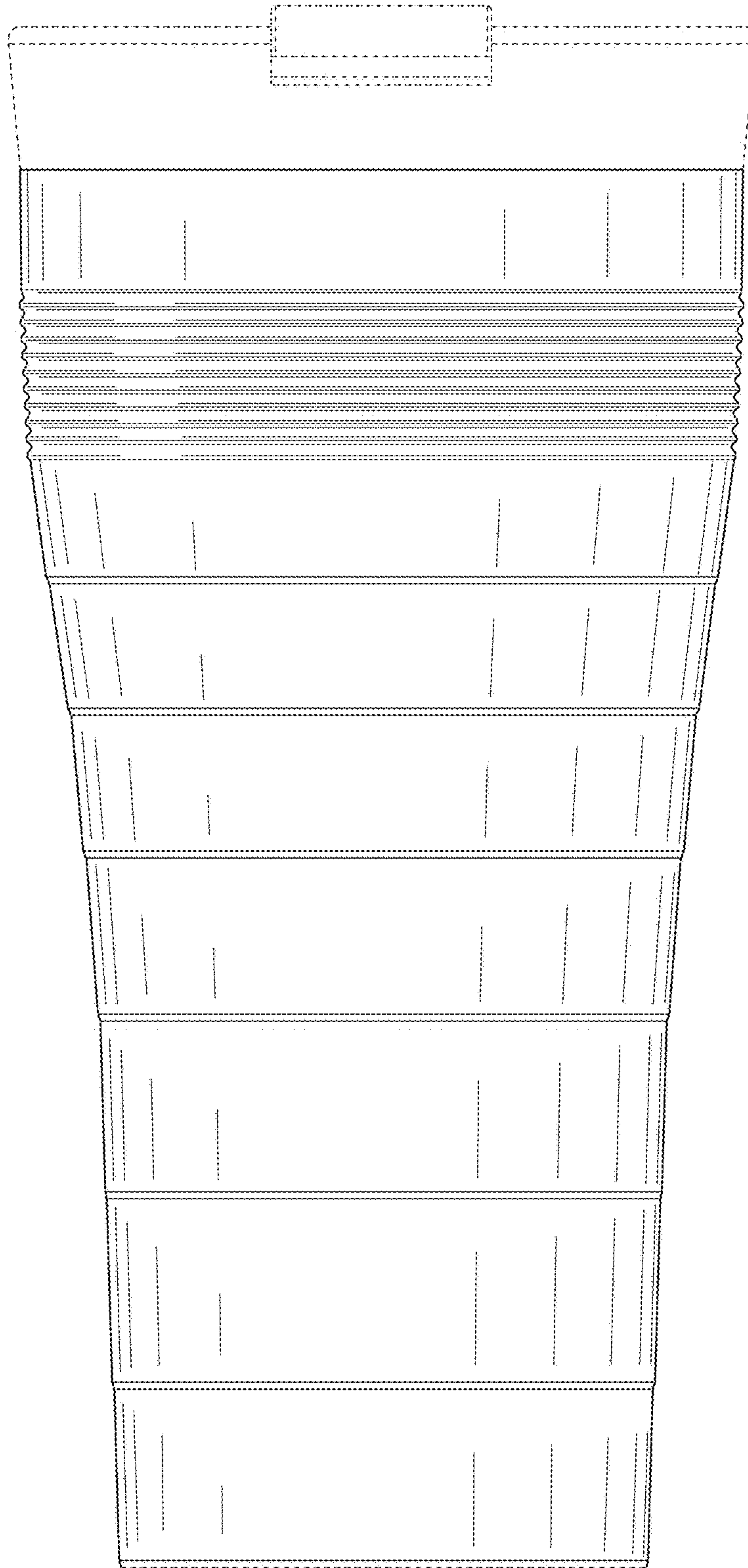


FIG. 3

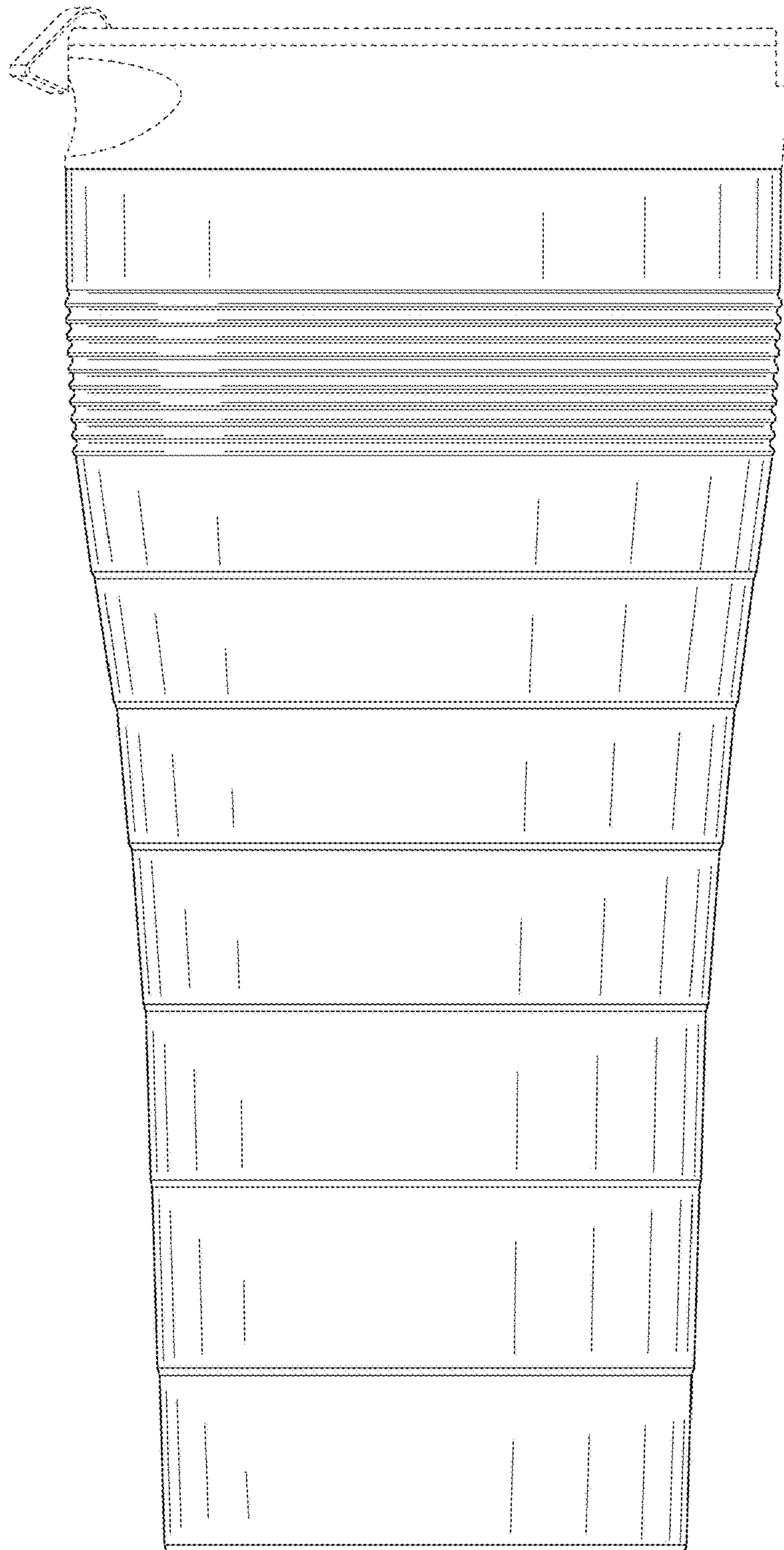


FIG. 4

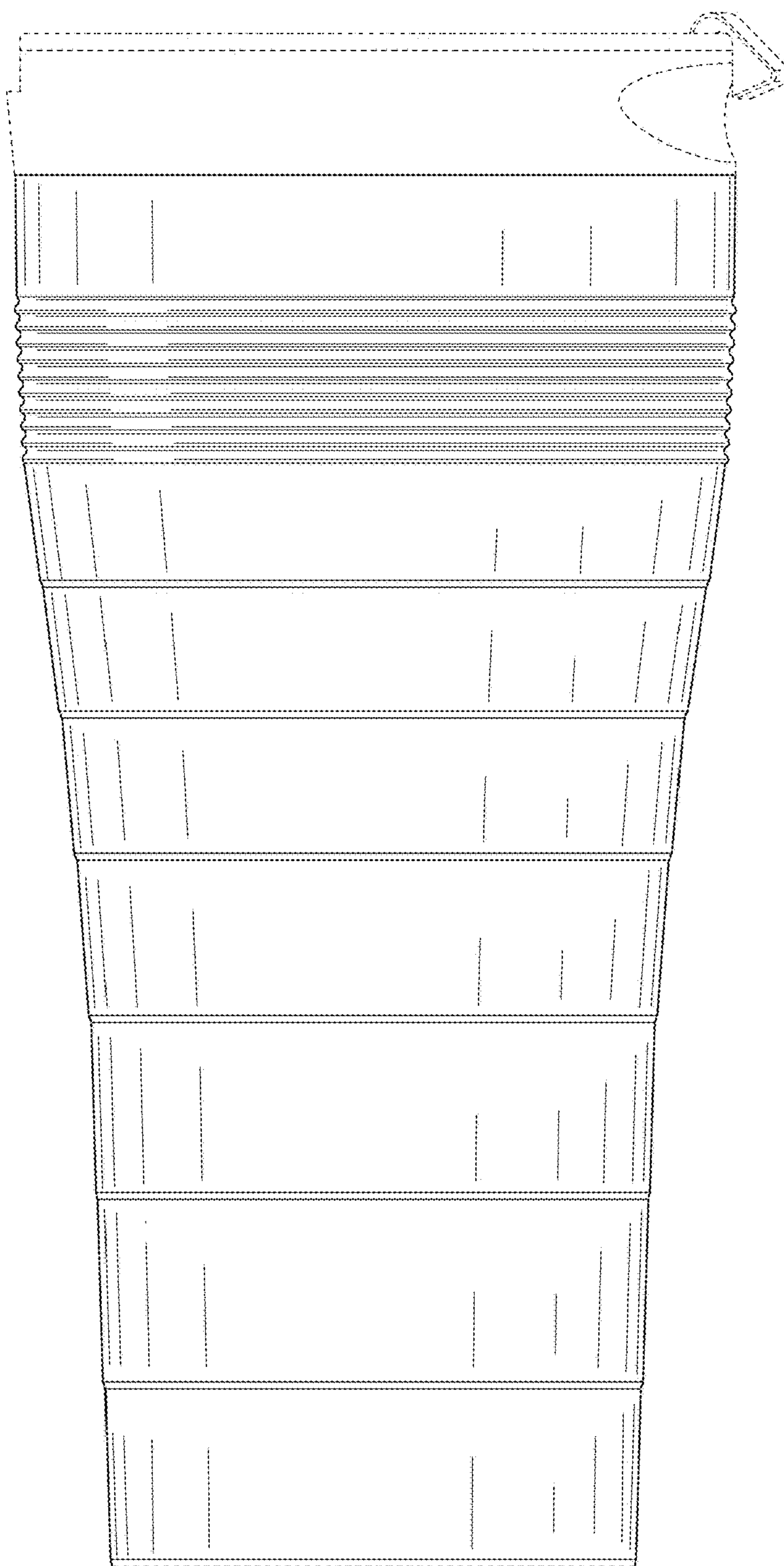


FIG. 5

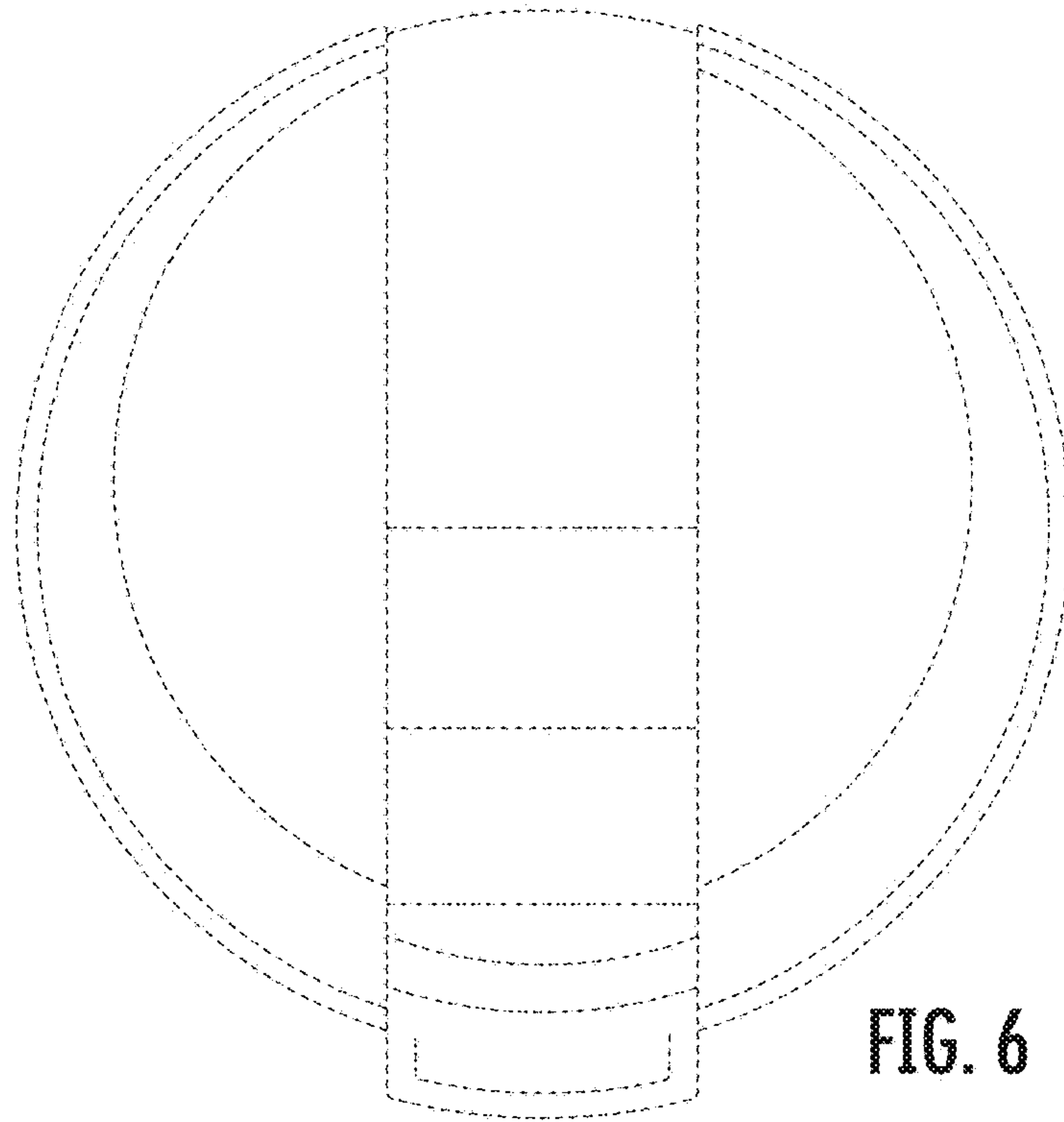


FIG. 6

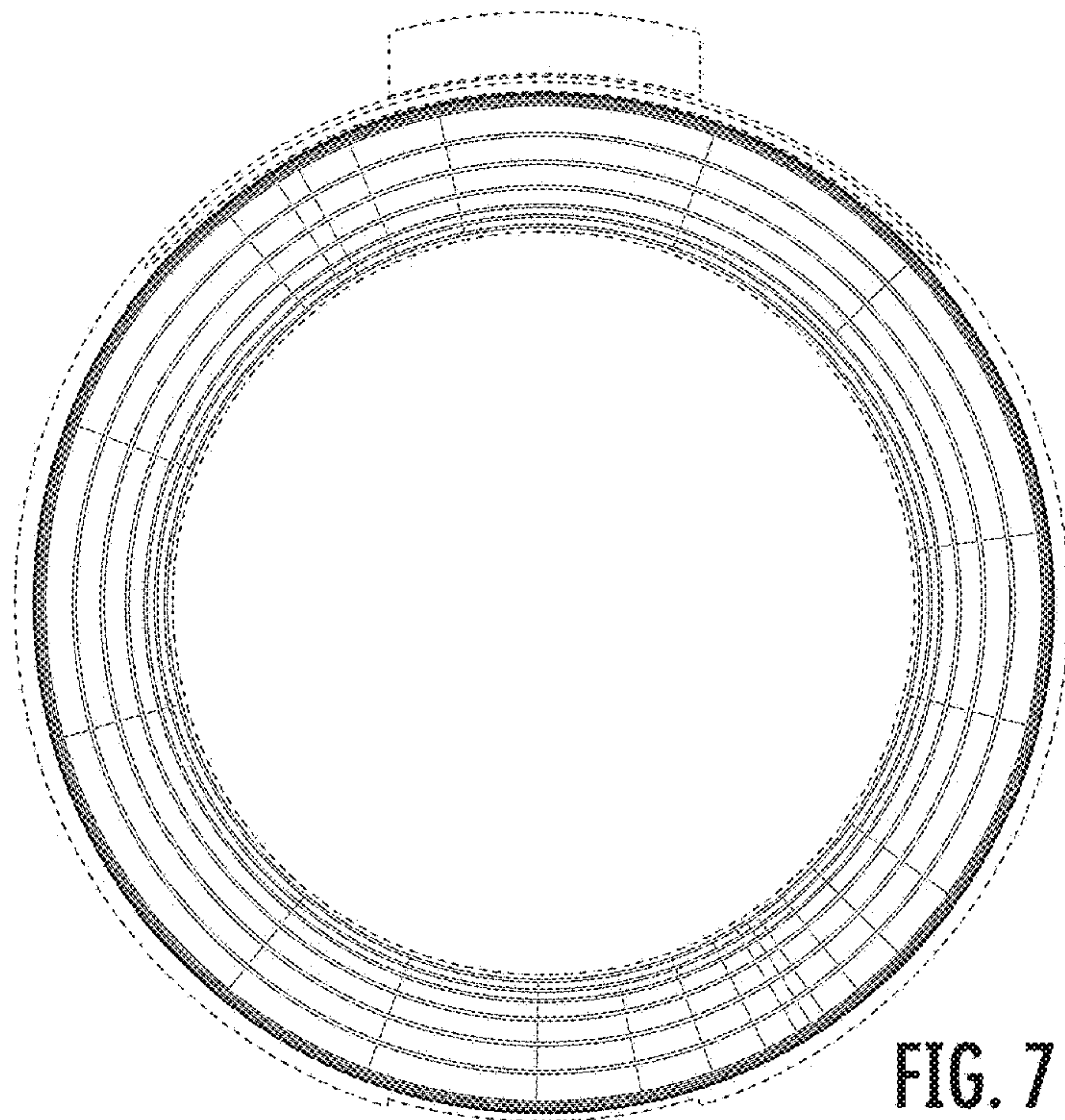


FIG. 7

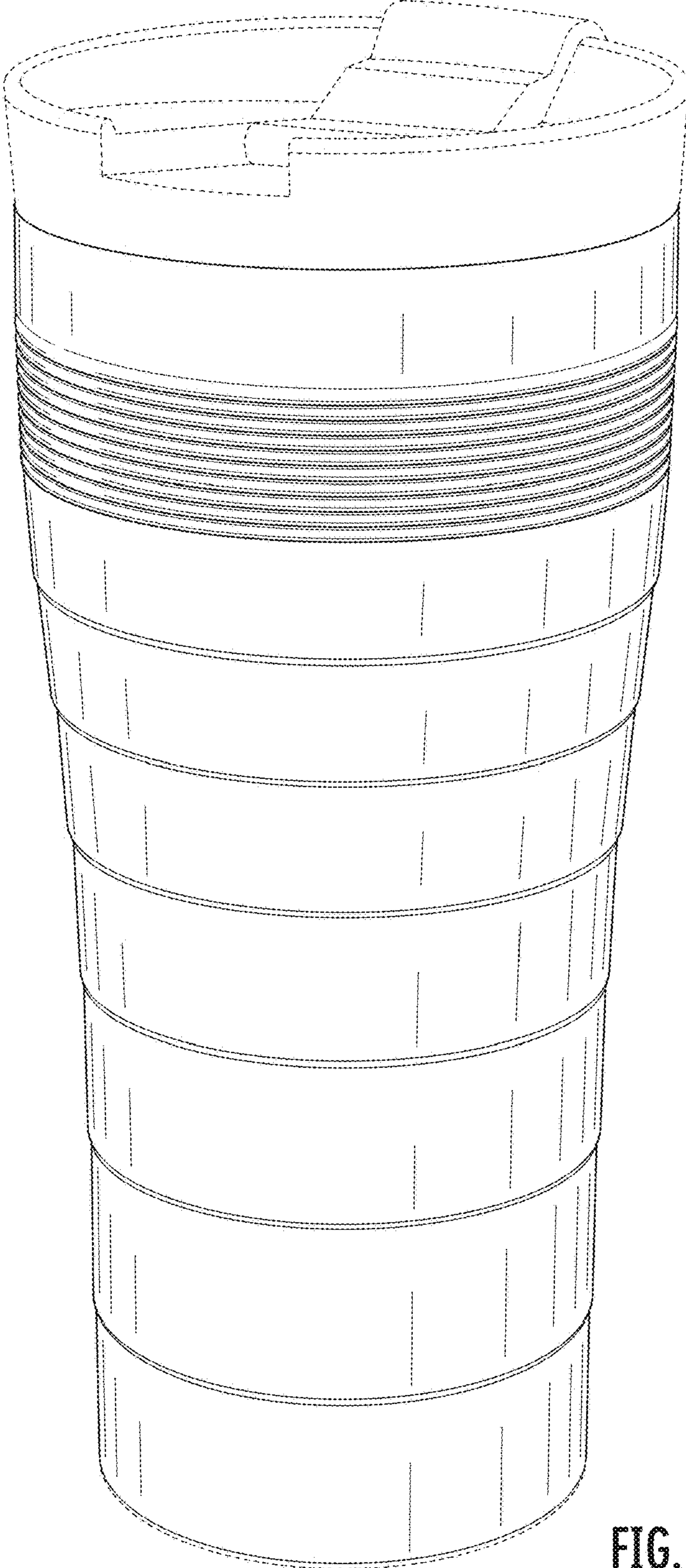


FIG. 8

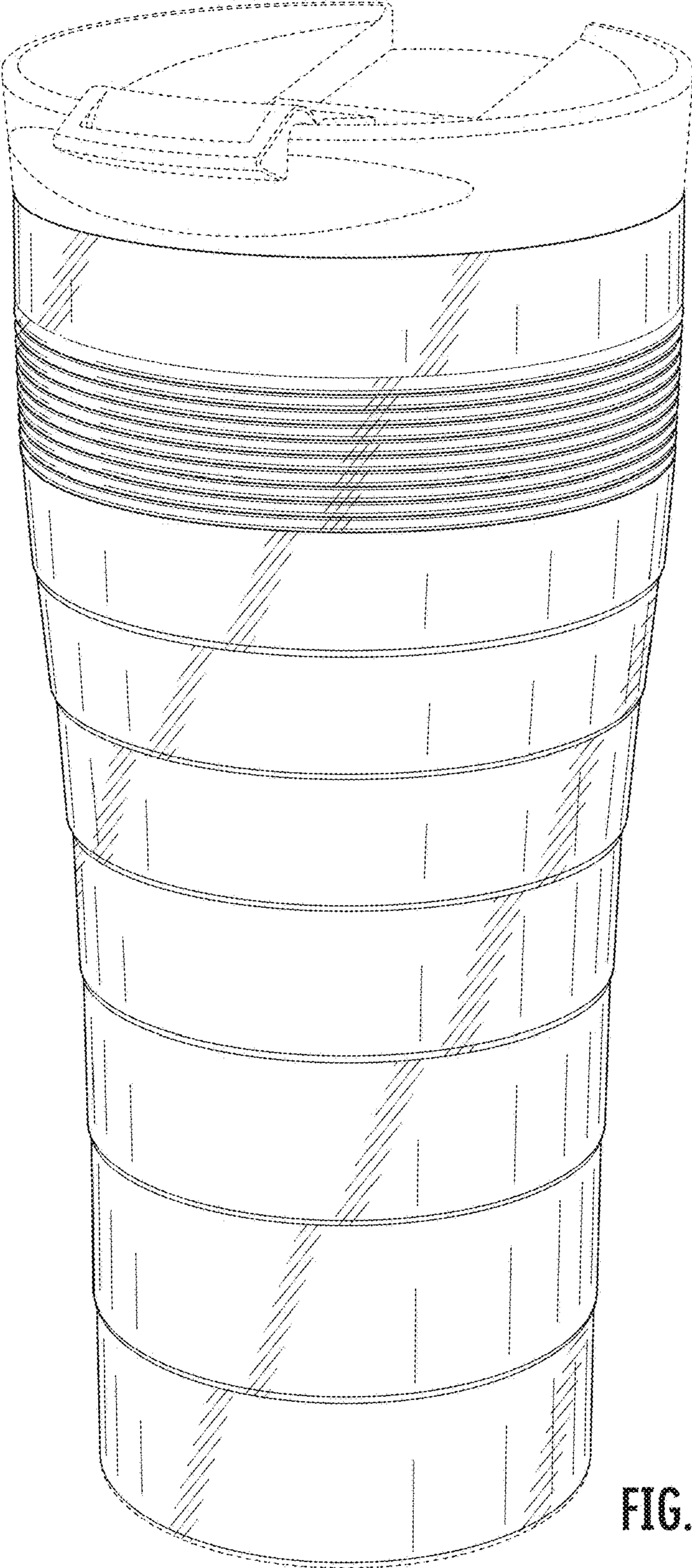


FIG. 9

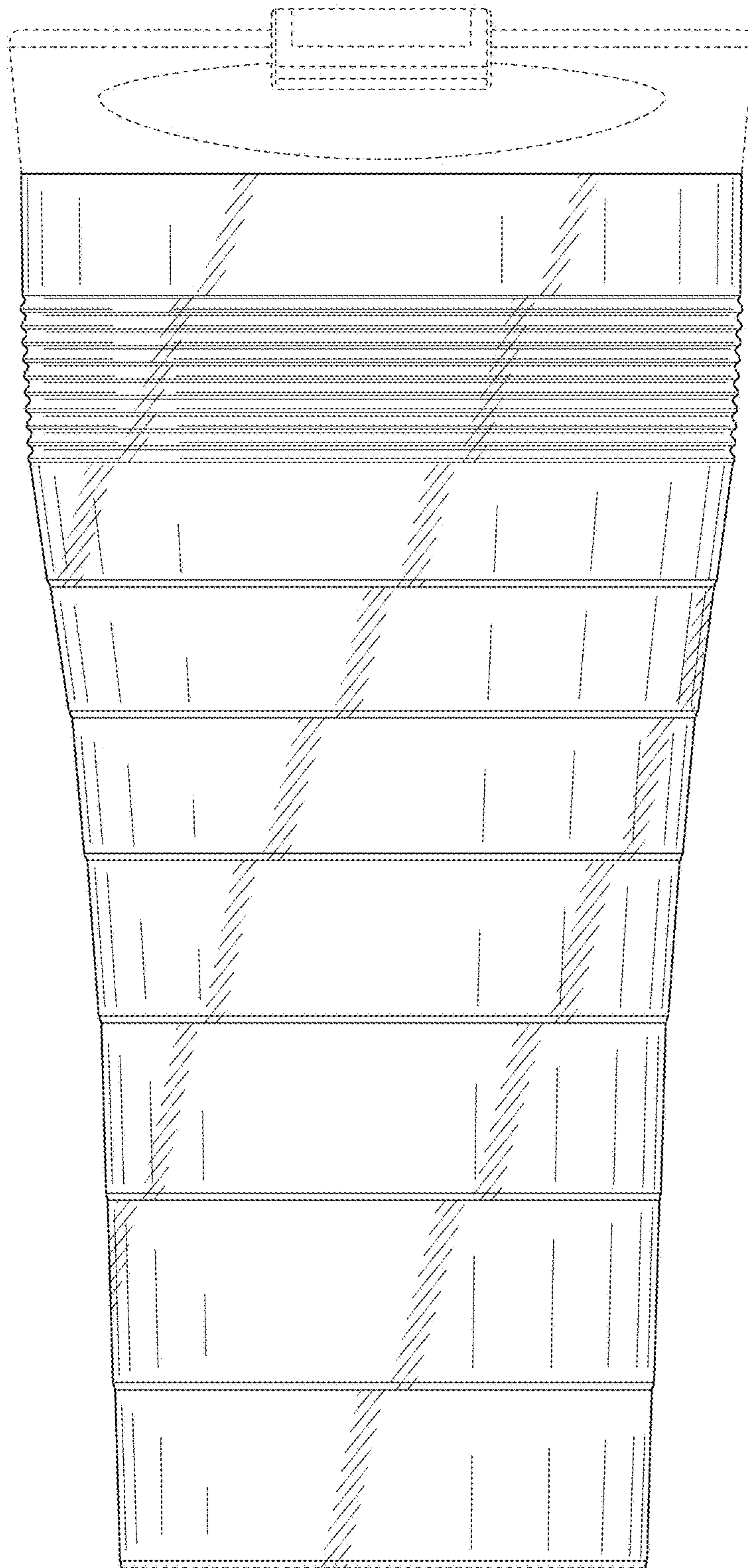


FIG. 10

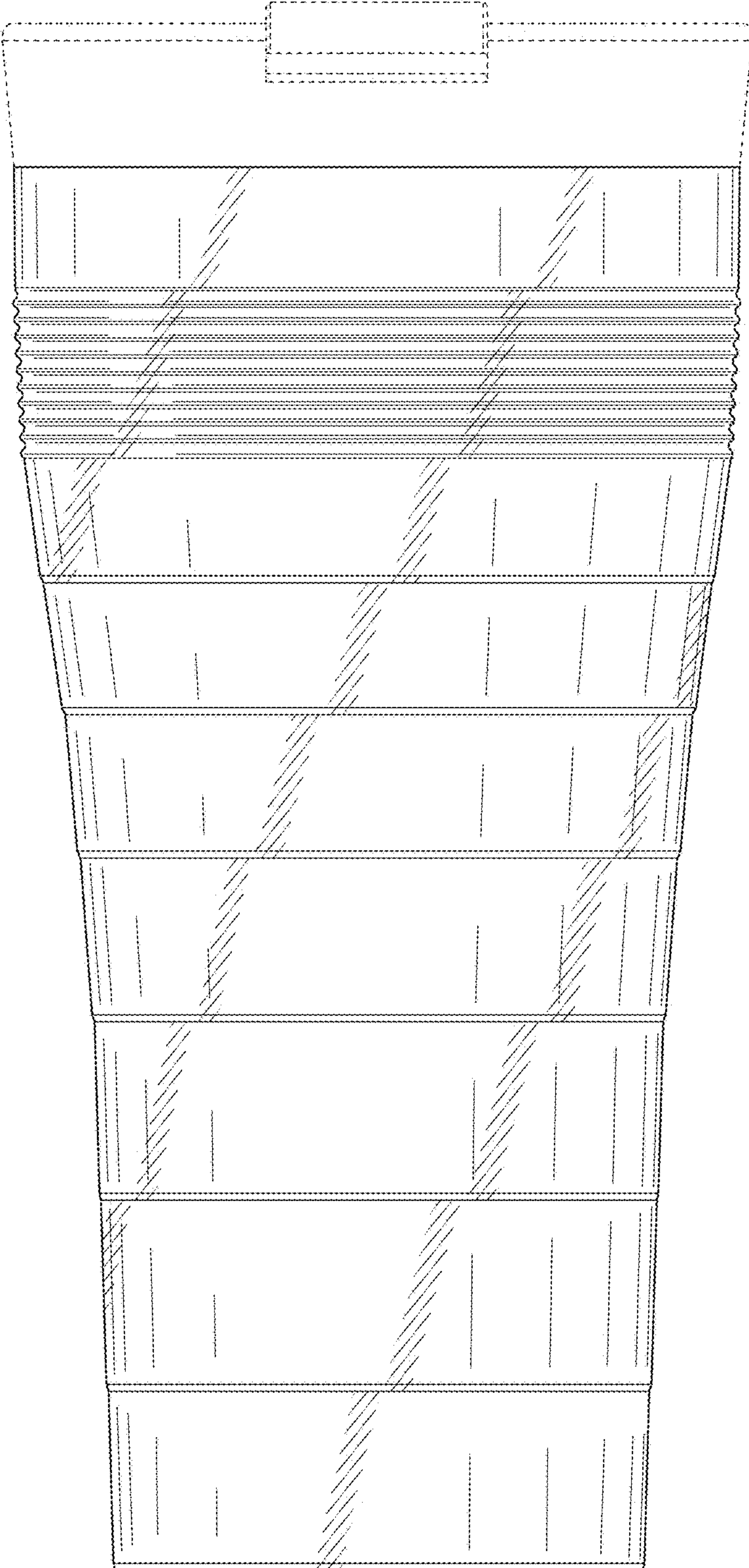


FIG. 11

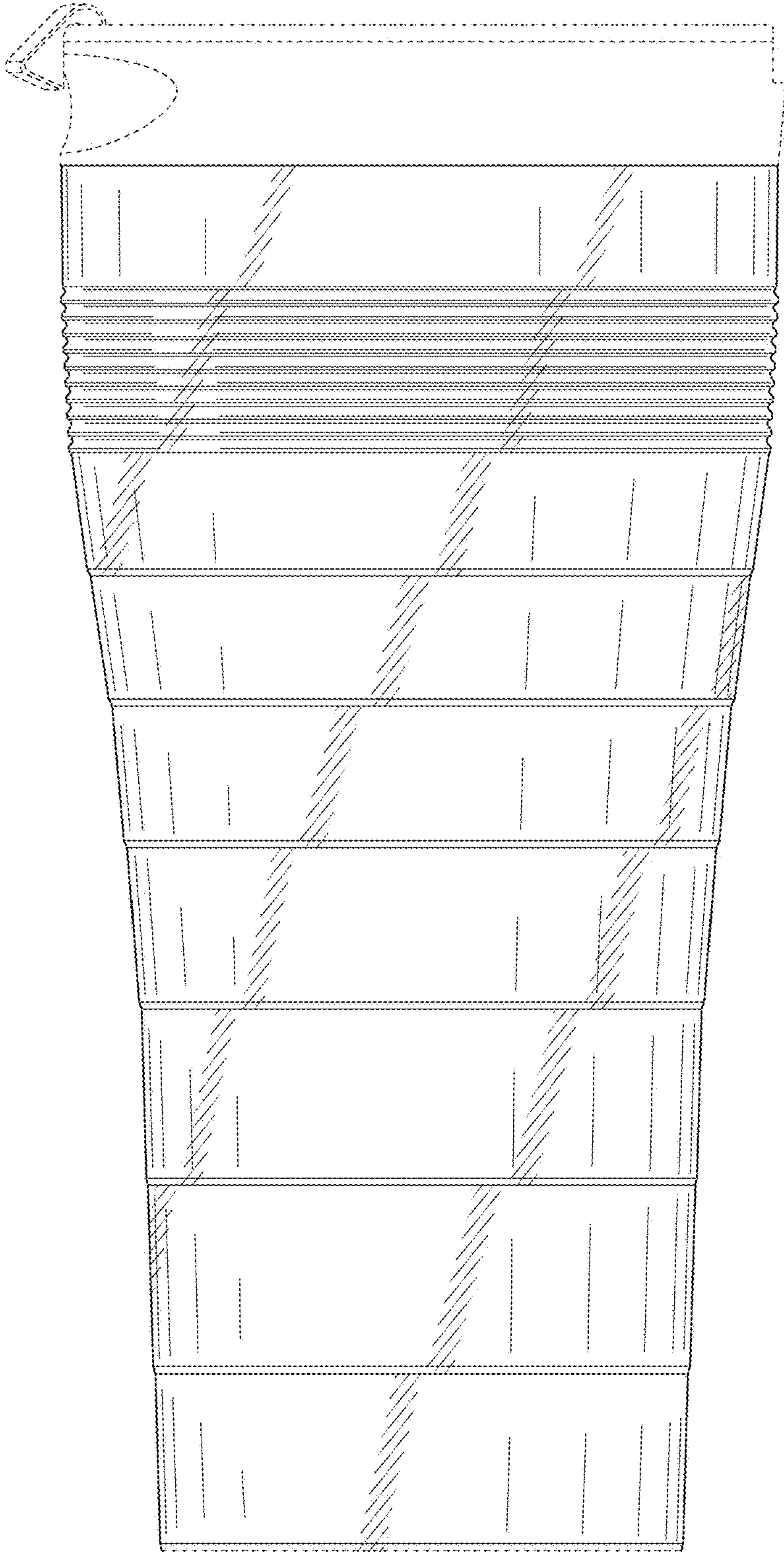


FIG. 12

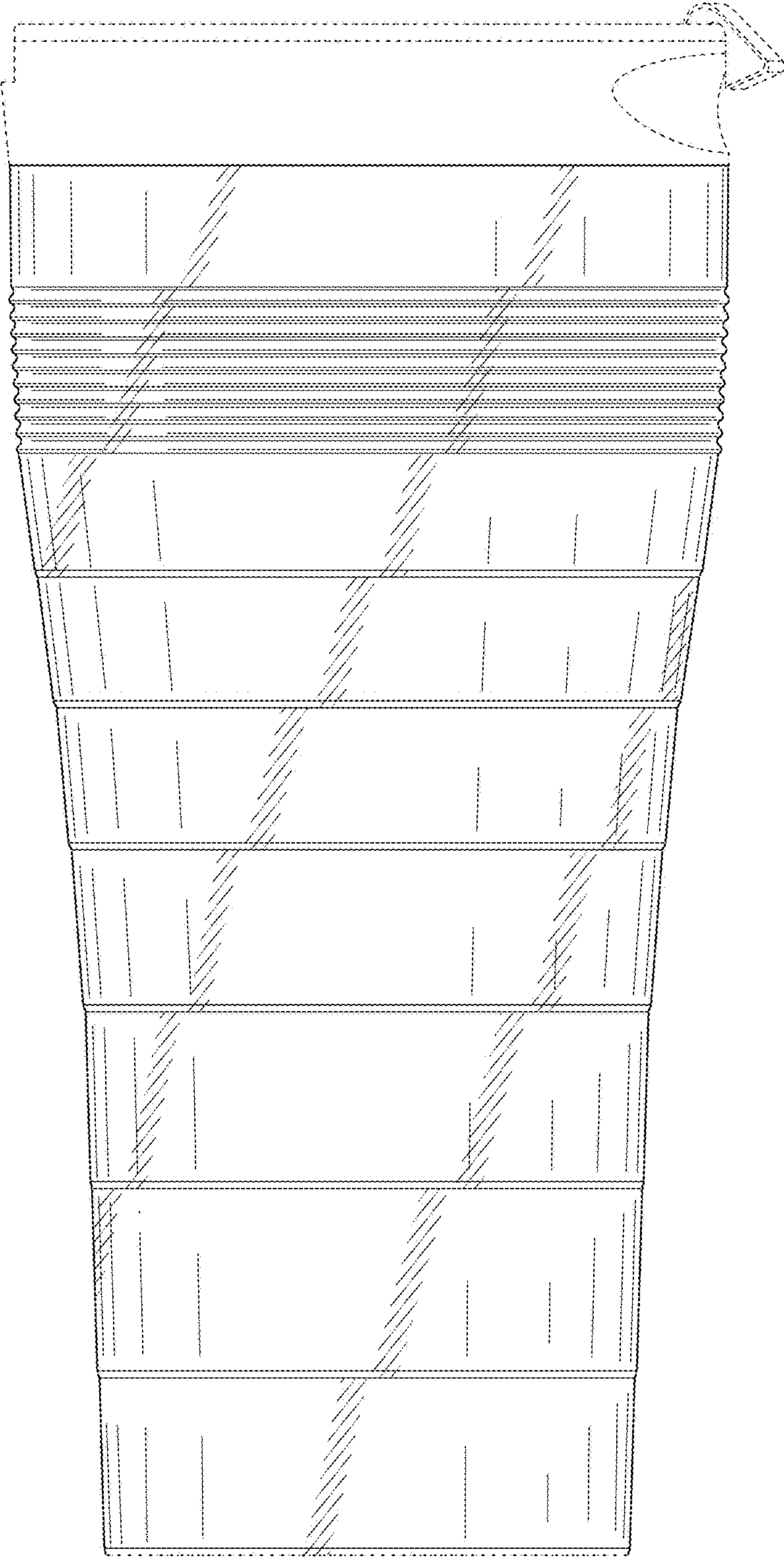


FIG. 13

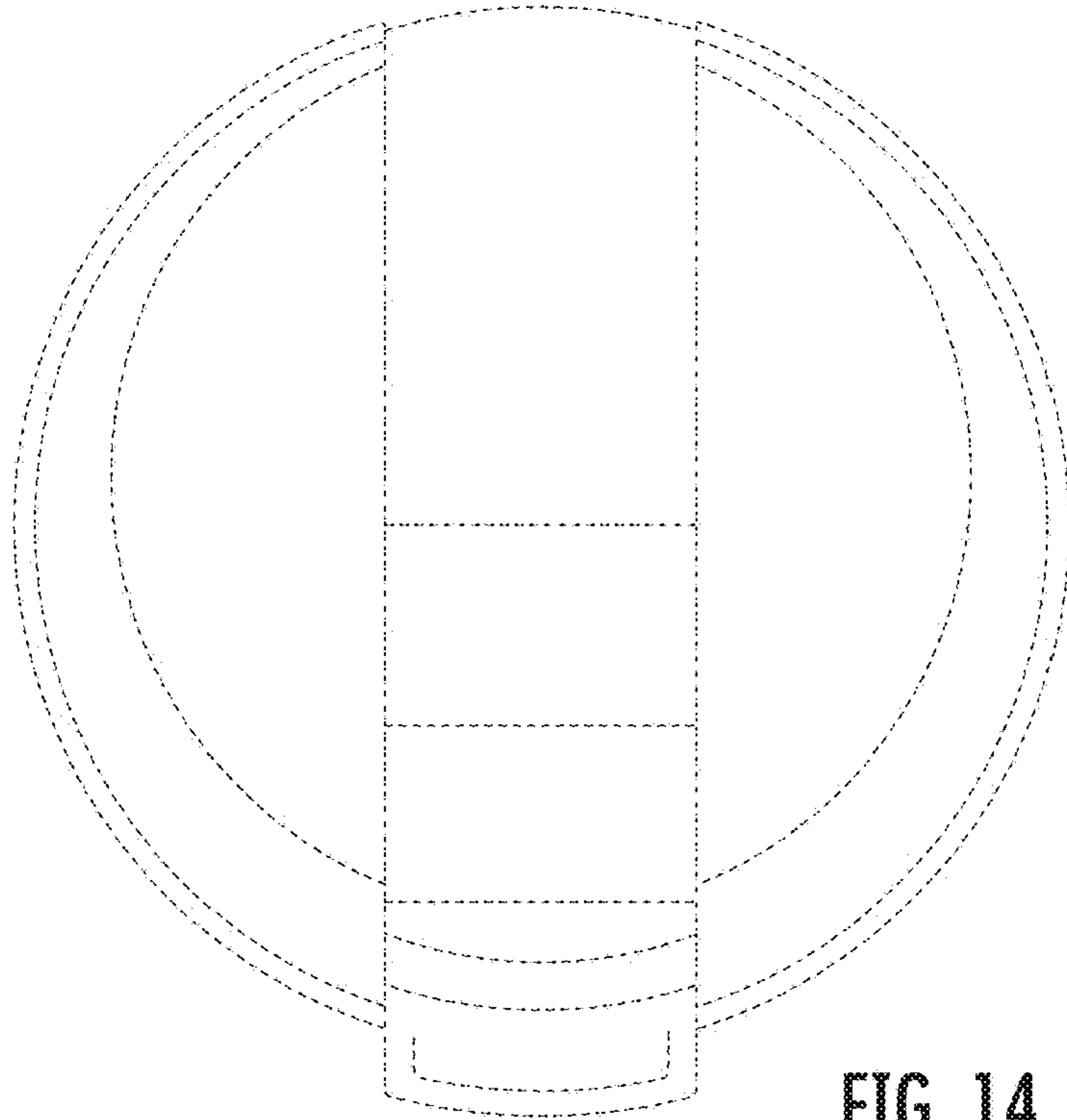


FIG. 14

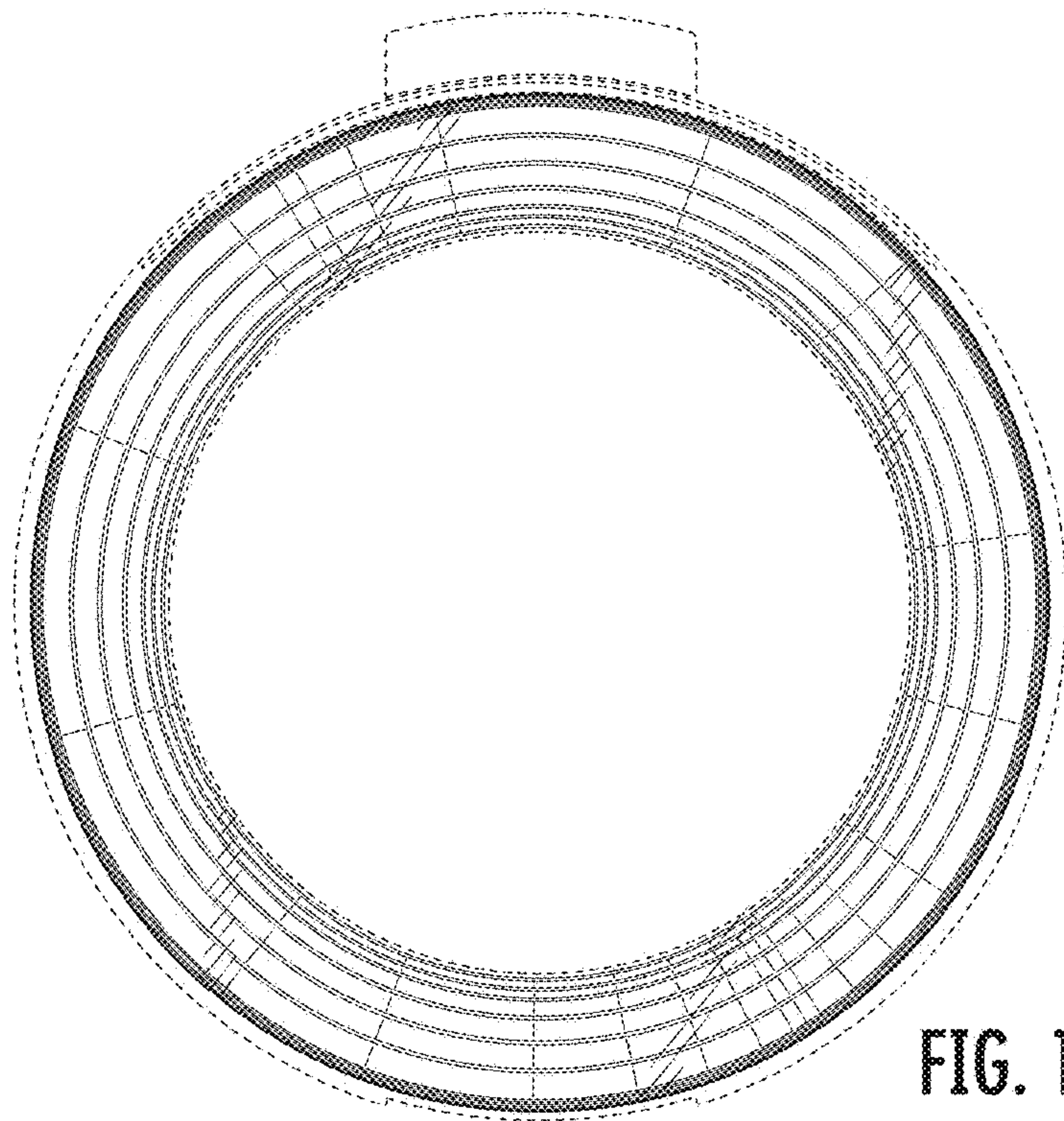


FIG. 15

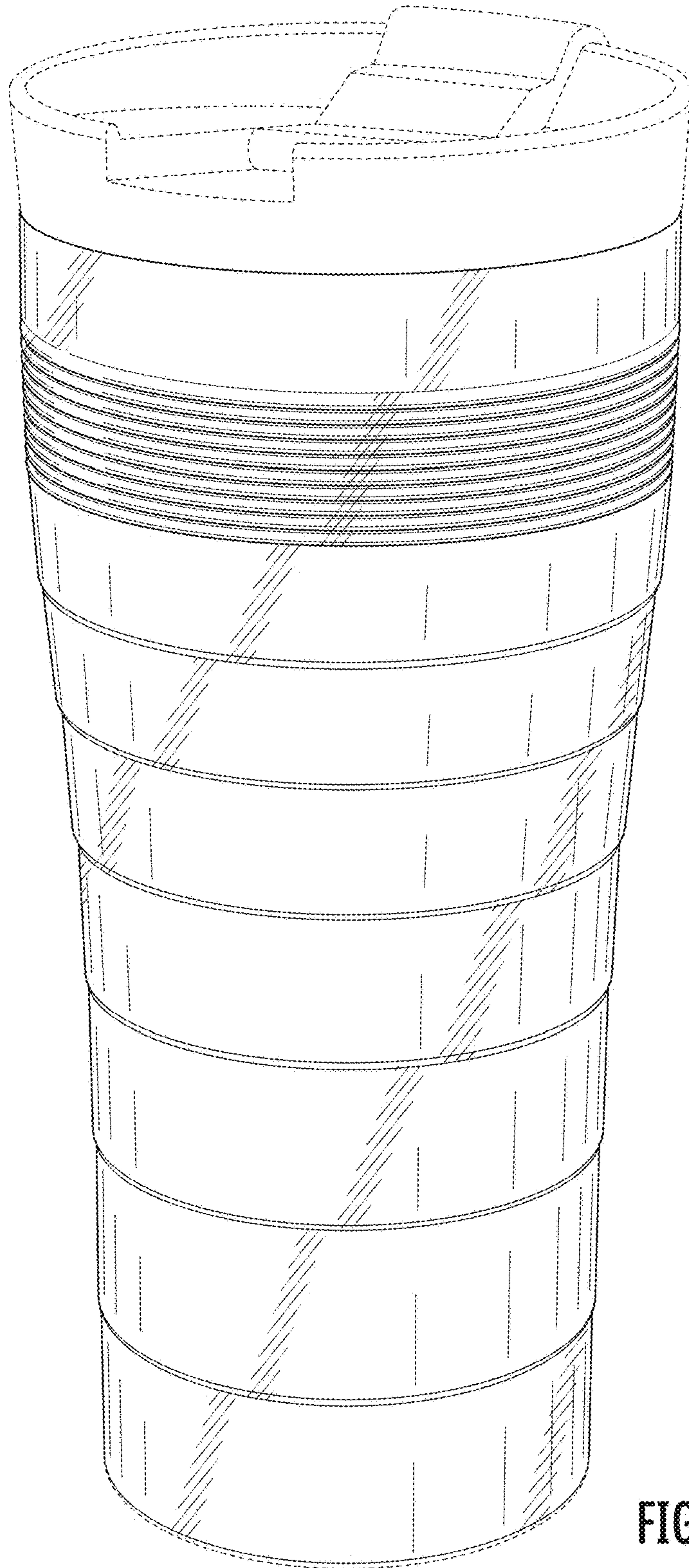


FIG. 16