



US00D825993S

(12) **United States Design Patent**  
**Sadhwani**

(10) **Patent No.:** **US D825,993 S**

(45) **Date of Patent:** **\*\* Aug. 21, 2018**

(54) **VACUUM INSULATED BEVERAGE  
TUMBLER WITH HANDLE GRIP**

(71) Applicant: **Dinesh Sadhwani**, Commerce, CA (US)

(72) Inventor: **Dinesh Sadhwani**, Commerce, CA (US)

(\*\*) Term: **15 Years**

(21) Appl. No.: **29/582,513**

(22) Filed: **Oct. 28, 2016**

(51) **LOC (11) Cl.** ..... **07-01**

(52) **U.S. Cl.**  
USPC ..... **D7/510; D7/532; D7/536**

(58) **Field of Classification Search**

USPC ..... D7/509, 510, 511, 523, 532, 534, 536,  
D7/300.1, 533, 394, 395, 531, 608;  
D24/197; 220/592.16, 592.17; D9/435  
CPC ..... A47G 19/22; A47G 19/2205; A47G  
19/2211; A47G 19/2266; A47G 19/2288;  
B65D 47/066; A47J 43/27; A47J 41/02  
See application file for complete search history.

(56) **References Cited**

**U.S. PATENT DOCUMENTS**

D346,933 S *	5/1994	Denny	.....	D7/532
D362,369 S *	9/1995	Bridges	.....	D7/533
D397,912 S *	9/1998	Goessling, Jr.	.....	D7/532
D400,401 S *	11/1998	Lynd	.....	D7/532
6,237,801 B1 *	5/2001	Liu	.....	A47G 19/22 220/592.17
D462,875 S *	9/2002	Norris	.....	D7/532
D468,588 S *	1/2003	Norris	.....	D7/510
D479,670 S *	9/2003	Webb	.....	D7/523
D506,643 S *	6/2005	Norris	.....	D7/532
D525,082 S *	7/2006	Copeland	.....	D7/523
D534,038 S *	12/2006	Kramer	.....	D7/510
D538,107 S *	3/2007	Norris	.....	D7/523

D539,609 S *	4/2007	Ying	.....	D7/510
D553,436 S *	10/2007	George	.....	D7/510
D555,430 S *	11/2007	Tien	.....	D7/509
D558,524 S *	1/2008	Schreitmueller	.....	D7/500
D571,152 S *	6/2008	Tien	.....	D7/509
D604,102 S *	11/2009	Pearson	.....	D7/510
D606,808 S *	12/2009	Germann	.....	D7/510
D625,951 S *	10/2010	Baek	.....	D7/396.2
D667,271 S *	9/2012	Fishman	.....	D7/510
D667,272 S *	9/2012	Fishman	.....	D7/510
D720,183 S *	12/2014	Chiang	.....	D7/510
D733,499 S *	7/2015	Perman	.....	D7/536
D734,092 S *	7/2015	Kristinik	.....	D7/392.1
D751,341 S *	3/2016	Seiders	.....	D7/396.2
D761,619 S *	7/2016	Seiders	.....	D7/392.1
D790,272 S *	6/2017	Han	.....	D7/396.2
D801,746 S *	11/2017	Thuma	.....	D7/392.1
D808,218 S *	1/2018	Seiders	.....	D7/510

(Continued)

*Primary Examiner* — Marianne Pandozzi

*Assistant Examiner* — Jae Liang

(74) *Attorney, Agent, or Firm* — Raj Abhyanker, P.C.

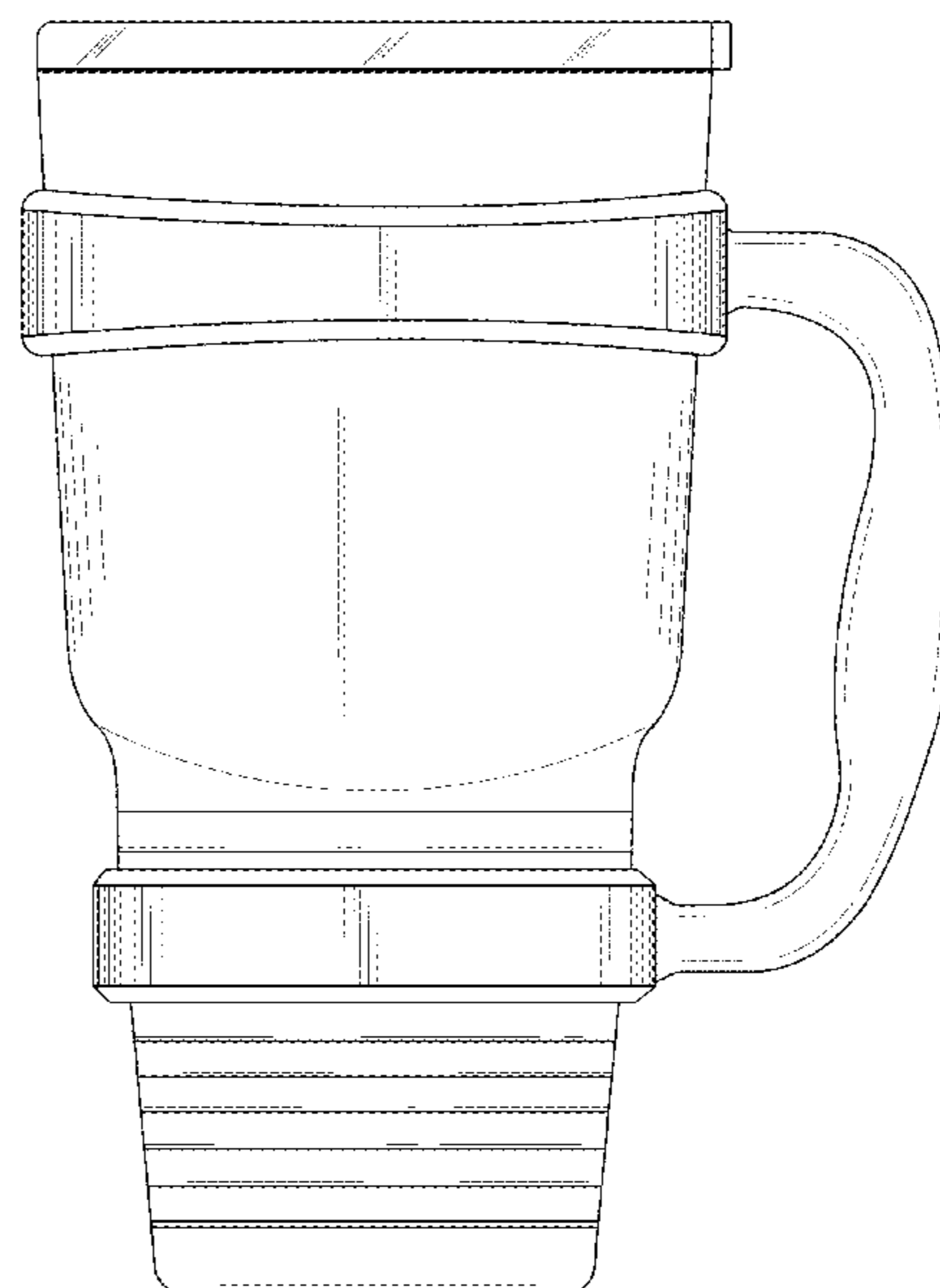
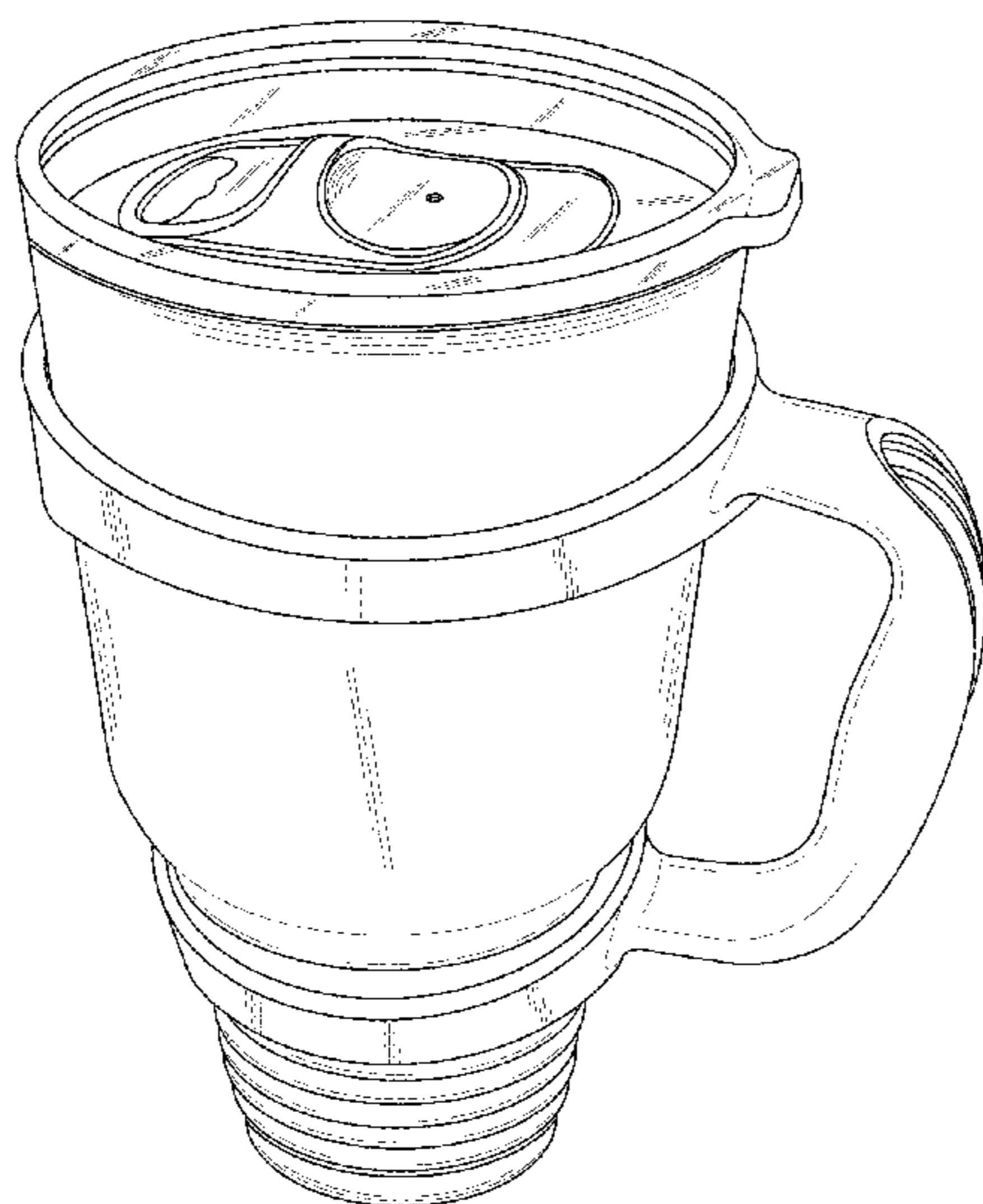
(57) **CLAIM**

The ornamental design for a vacuum insulated beverage tumbler with handle grip, as shown and described.

**DESCRIPTION**

FIG. 1 is a top front perspective view of a vacuum insulated beverage tumbler with handle grip, showing my new design; FIG. 2 is a front elevational view of FIG. 1 thereof; FIG. 3 is a rear elevational view of FIG. 1 thereof; FIG. 4 is a left side elevational view of FIG. 1 thereof; FIG. 5 is a right side elevational view of FIG. 1 thereof; FIG. 6 is a top plan view of FIG. 1 thereof; and, FIG. 7 is a bottom plan view of FIG. 1 thereof. The broken lines indicate unclaimed portions of the design and form no part of the claimed design.

**1 Claim, 7 Drawing Sheets**



(56)

**References Cited**

U.S. PATENT DOCUMENTS

2010/0018982 A1\* 1/2010 Liu ..... A47J 27/004  
220/592.17  
2017/0121074 A1\* 5/2017 Seiders ..... A47G 19/2272

\* cited by examiner



**FIG. 1**

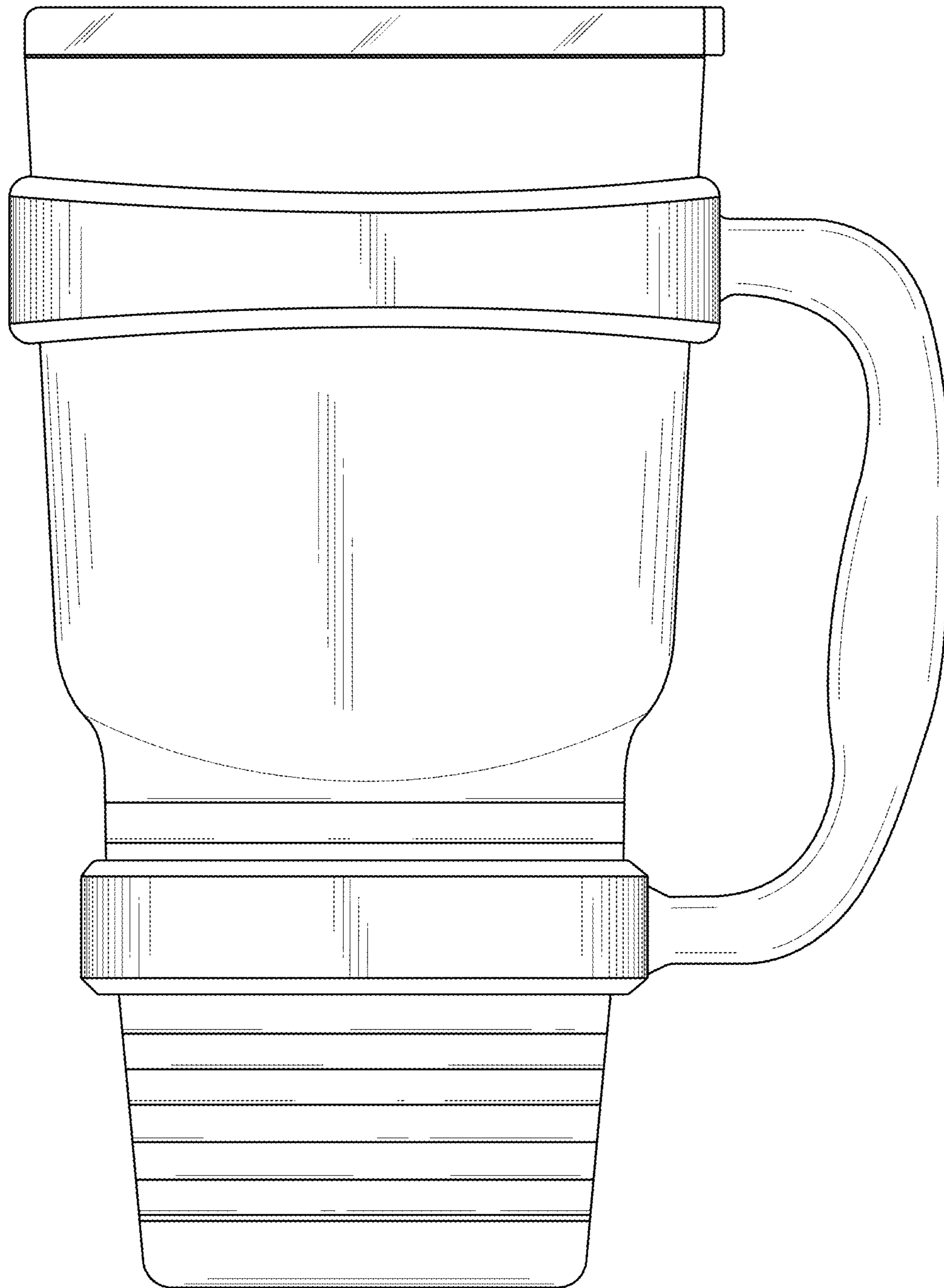


FIG. 2

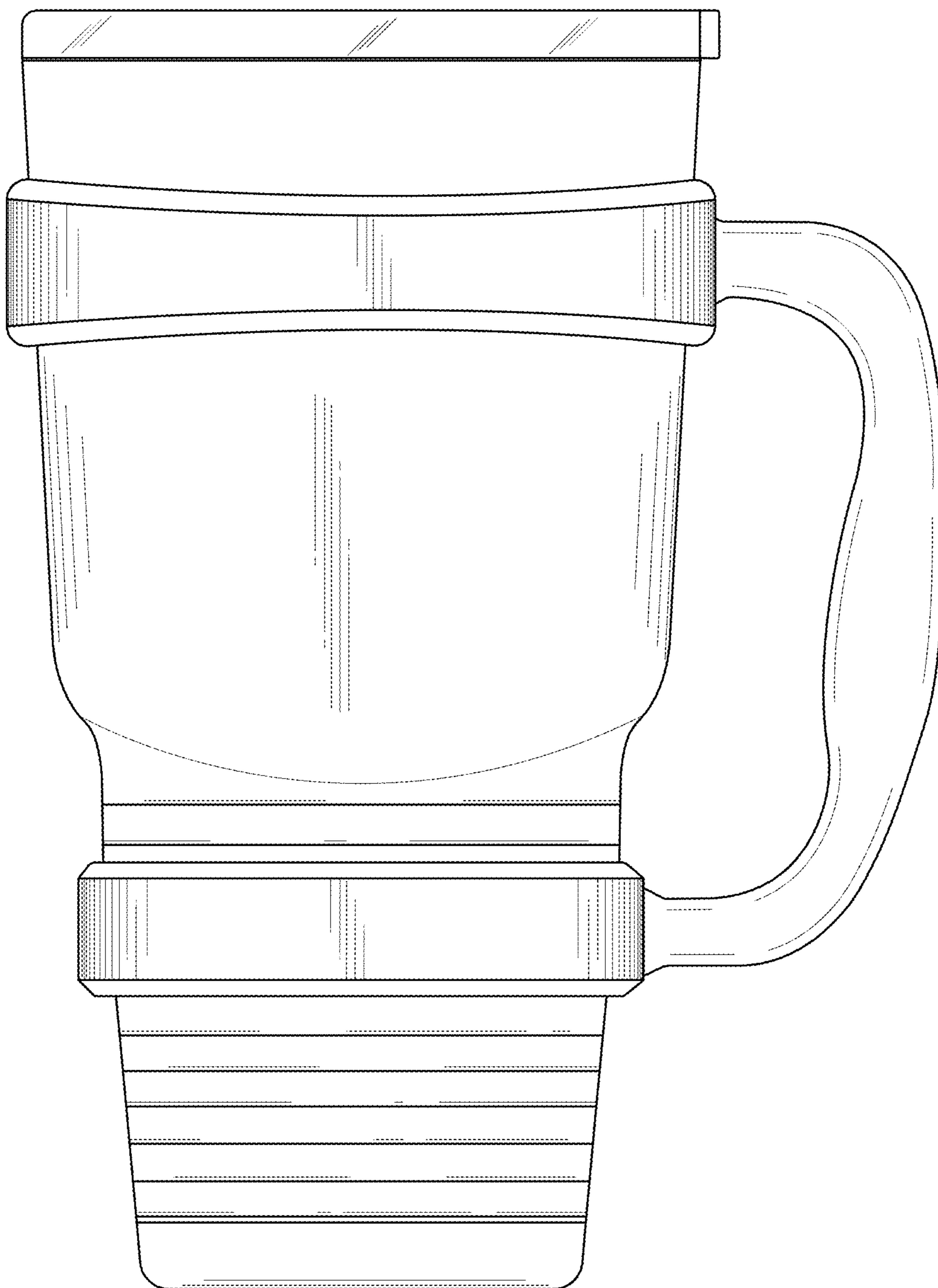


FIG. 3

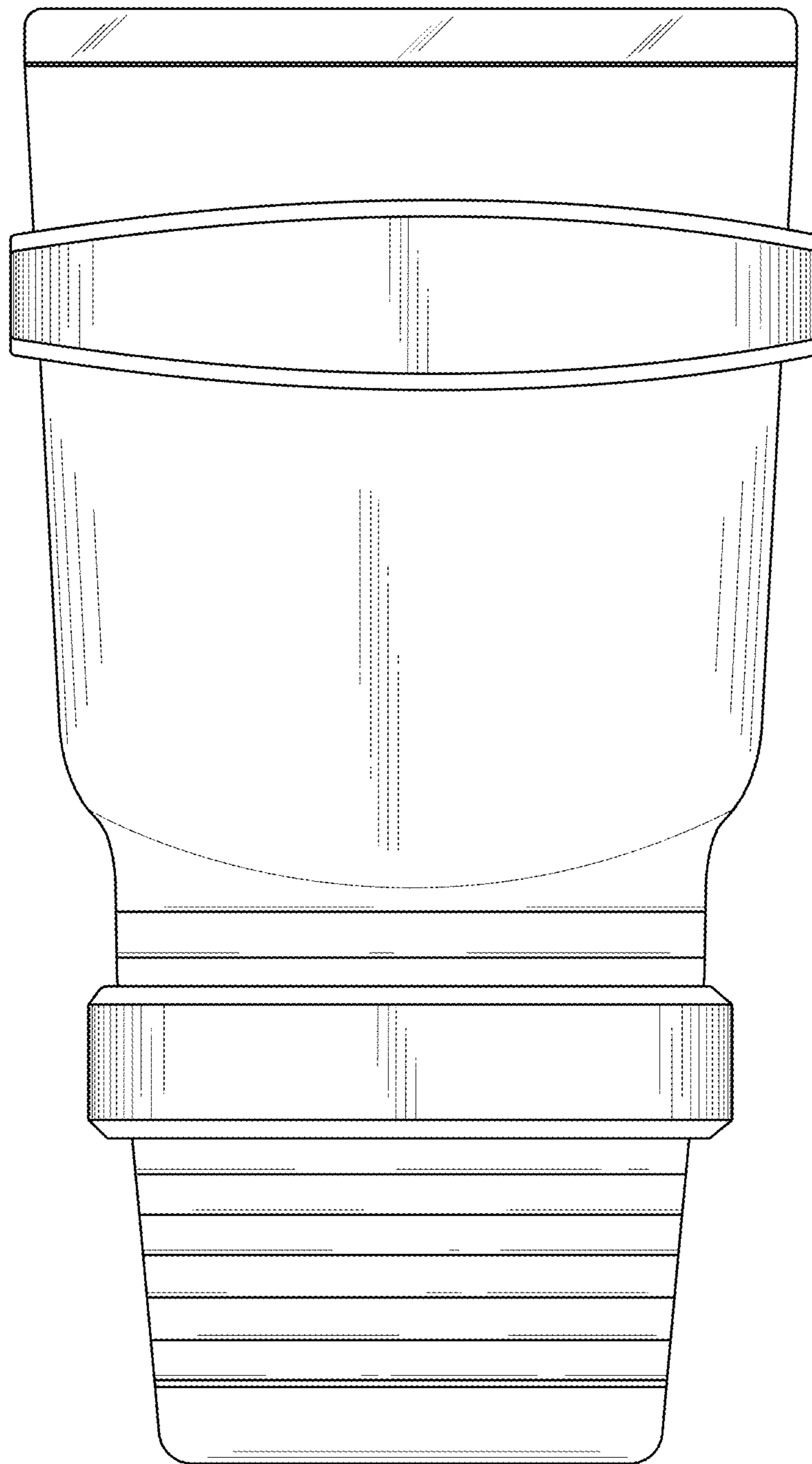


FIG. 4

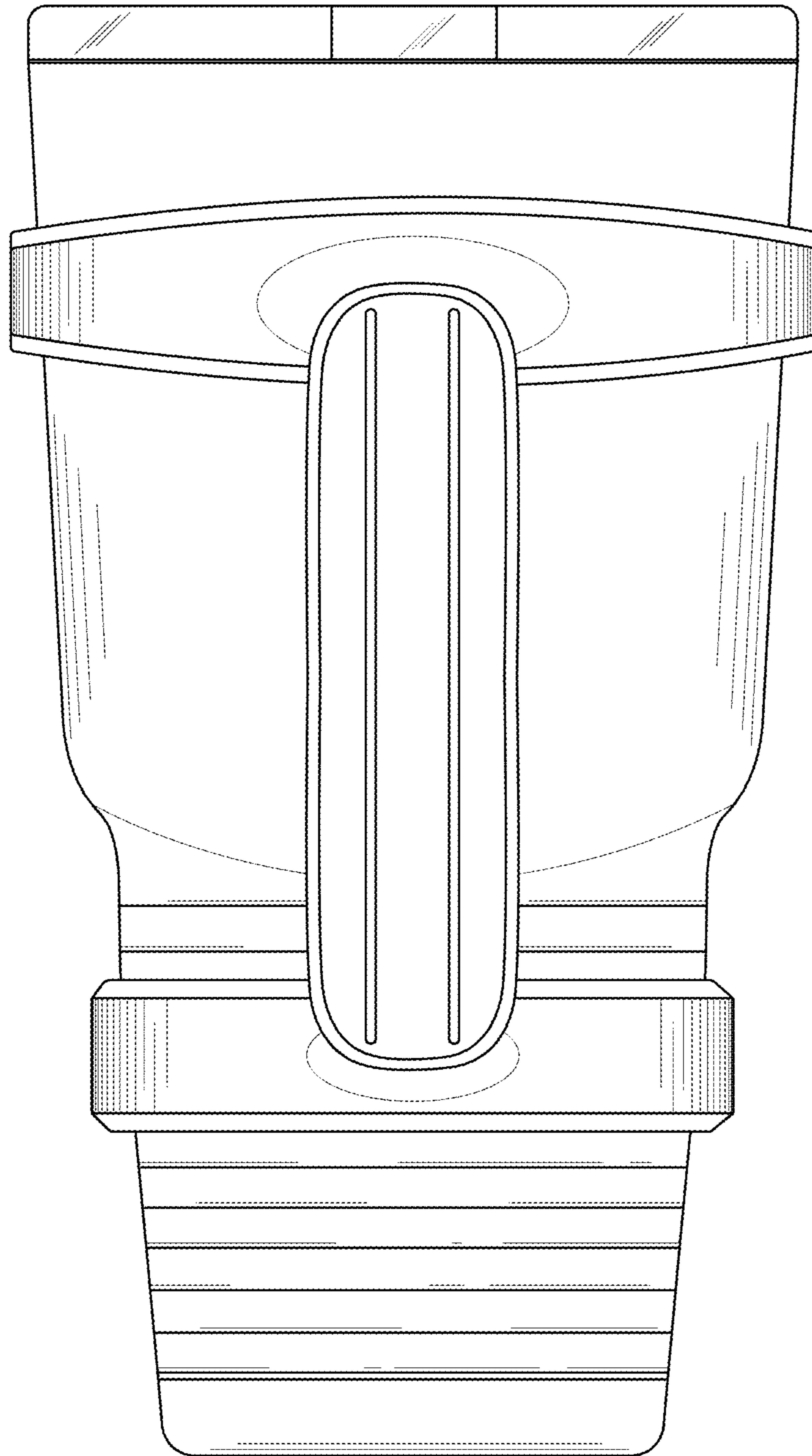


FIG. 5

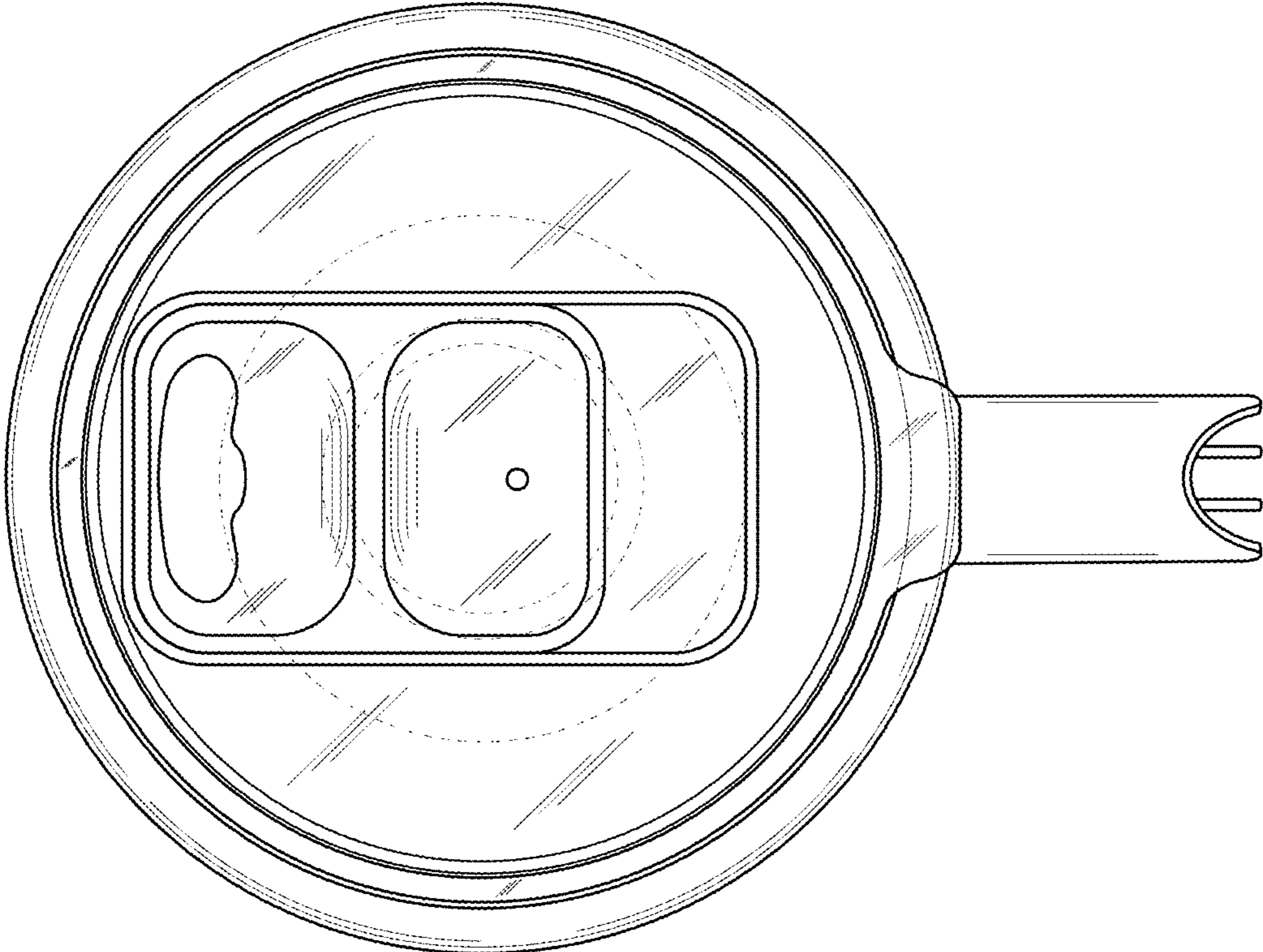
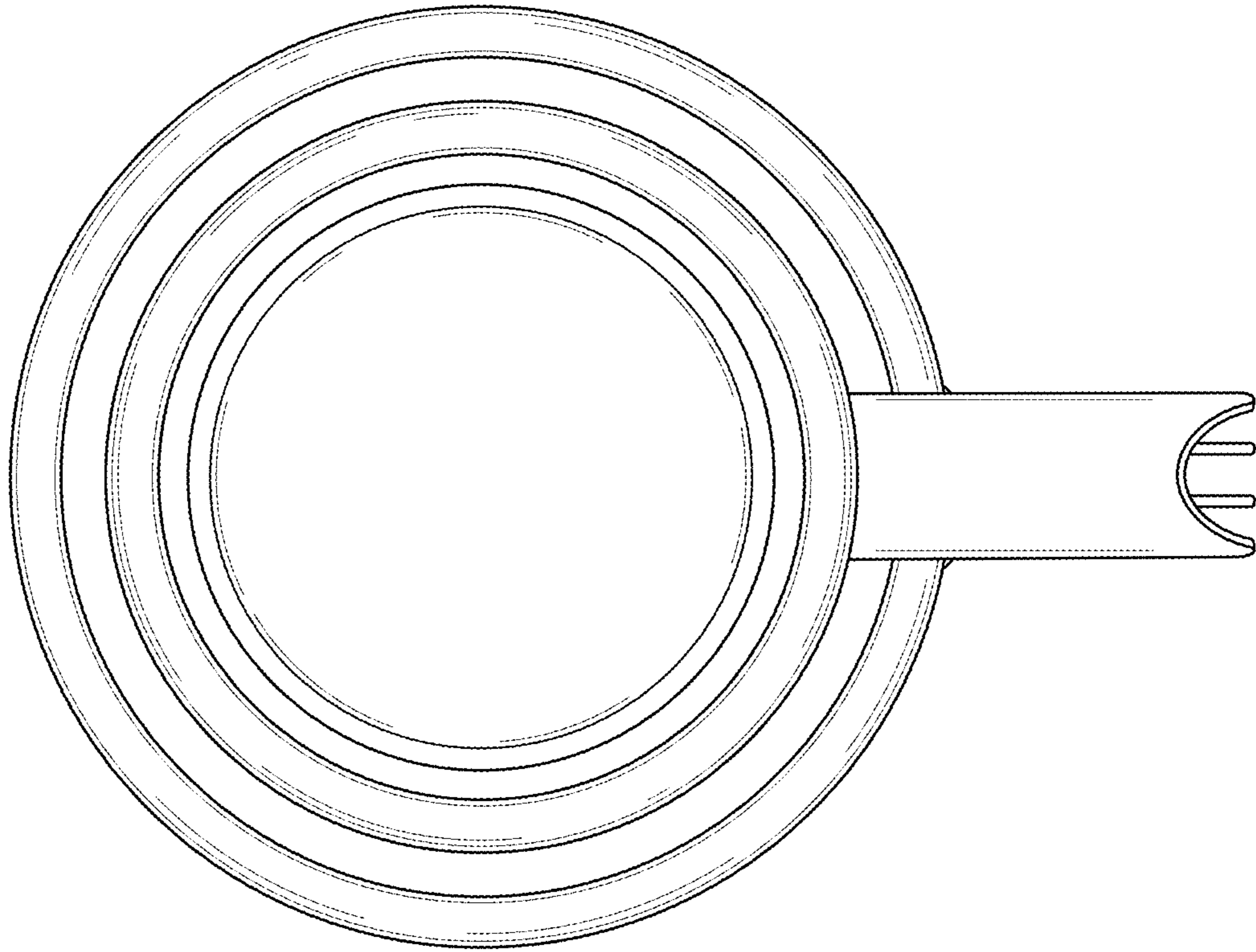


FIG. 6





**FIG. 7**