



US00D825992S

(12) **United States Design Patent**
Sadhwani

(10) **Patent No.:** **US D825,992 S**

(45) **Date of Patent:** **** Aug. 21, 2018**

(54) **VACUUM INSULATED BEVERAGE
TUMBLER**

(71) Applicant: **Dinesh Sadhwani**, Commerce, CA (US)

(72) Inventor: **Dinesh Sadhwani**, Commerce, CA (US)

(**) Term: **15 Years**

(21) Appl. No.: **29/582,510**

(22) Filed: **Oct. 28, 2016**

(51) **LOC (11) Cl.** **07-01**

(52) **U.S. Cl.**
USPC **D7/510; D7/511; D7/523; D7/531**

(58) **Field of Classification Search**
USPC D7/509, 510, 511, 523, 532, 534, 536,
D7/300.1, 533, 394, 395, 531; D24/197;
220/592.16, 592.17
CPC A47G 19/22; A47G 19/2205; A47G
19/2211; A47G 19/2266; A47G 19/2288;
B65D 47/066; A47J 43/27; A47J 41/02
See application file for complete search history.

(56) **References Cited**

U.S. PATENT DOCUMENTS

D42,683 S *	7/1912	Anderson	D7/531
D47,527 S *	6/1915	Sanford	D7/531
D50,351 S *	2/1917	Heisey	D7/529
3,563,408 A *	2/1971	Bijvoet	B65D 7/02
				220/671
D229,007 S *	11/1973	Hodges	210/469
D370,389 S *	6/1996	Wilson	D7/523
D383,038 S *	9/1997	Willbrandt	D7/523
D402,158 S *	12/1998	Mountain, Jr.	D7/523
D428,307 S *	7/2000	Yeandel	D7/523
D446,687 S *	8/2001	Furman	D7/509
D451,031 S *	11/2001	Westphal	D9/558
D452,797 S *	1/2002	Palefsky	D7/510
D461,684 S *	8/2002	Wilson	D7/523

D479,096 S *	9/2003	Webb	D7/523
D483,613 S *	12/2003	Gluck	D7/509
D484,362 S *	12/2003	Harris	D7/531
D502,844 S *	3/2005	Rohe	D7/510
D509,409 S *	9/2005	Harris	D7/523
D510,679 S *	10/2005	Smith	D7/396.2
D557,561 S *	12/2007	Flowers	D7/509
D606,364 S *	12/2009	Gilbert	D7/510
D698,201 S *	1/2014	Bradford	D7/510
8,684,223 B1 *	4/2014	Kalamaras	A47G 19/2288
				215/12.1
D706,625 S *	6/2014	Key	D9/429
D733,499 S *	7/2015	Perman	D7/536
D734,092 S *	7/2015	Kristinik	D7/392.1
D795,649 S *	8/2017	Ke	D7/509
D798,112 S *	9/2017	Godsey	D7/510
D804,909 S *	12/2017	Cotnoir	D7/529
D808,218 S *	1/2018	Seiders	D7/510

(Continued)

Primary Examiner — Marianne Pandozzi

Assistant Examiner — Jae Liang

(74) *Attorney, Agent, or Firm* — Raj Abhyanker, P.C.

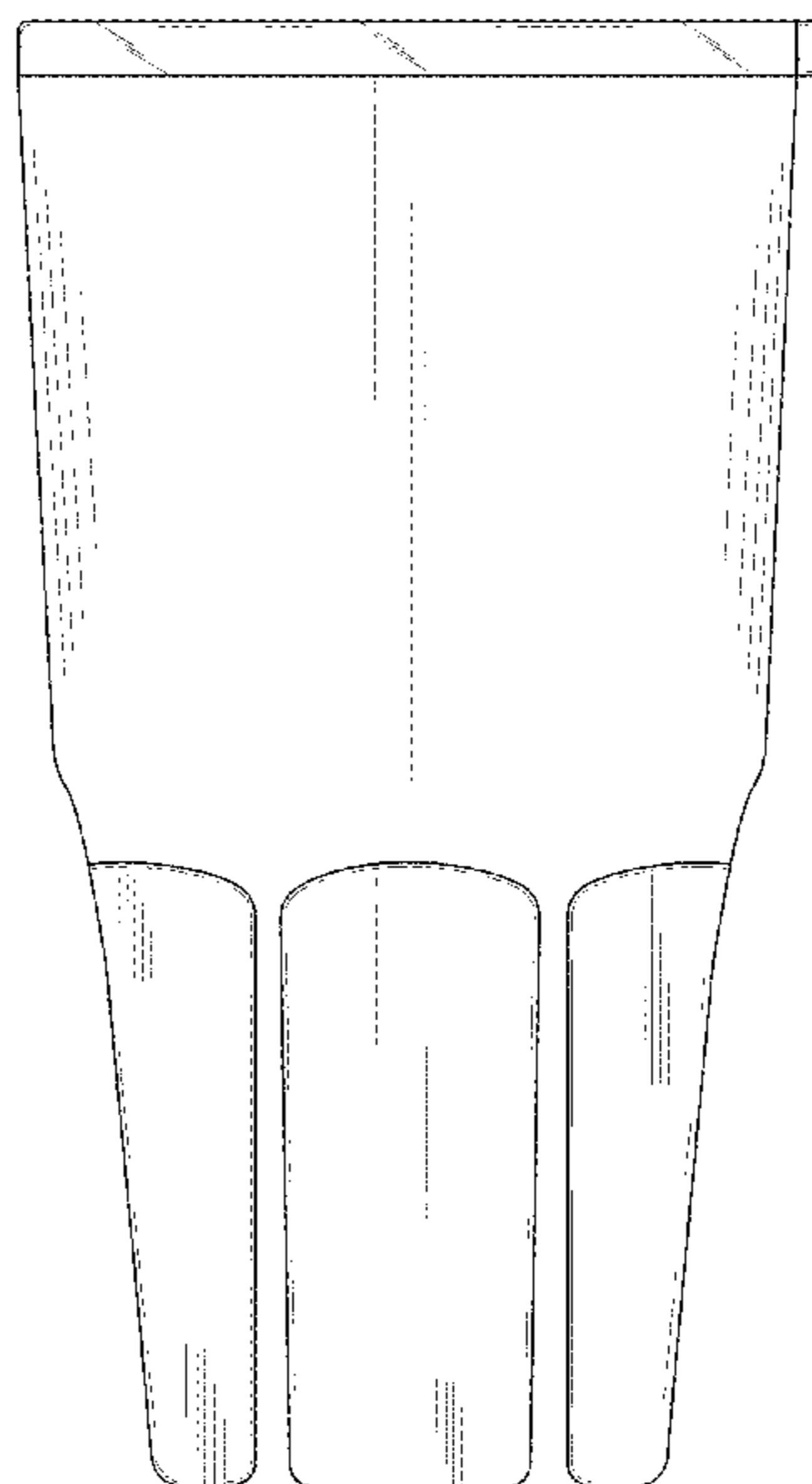
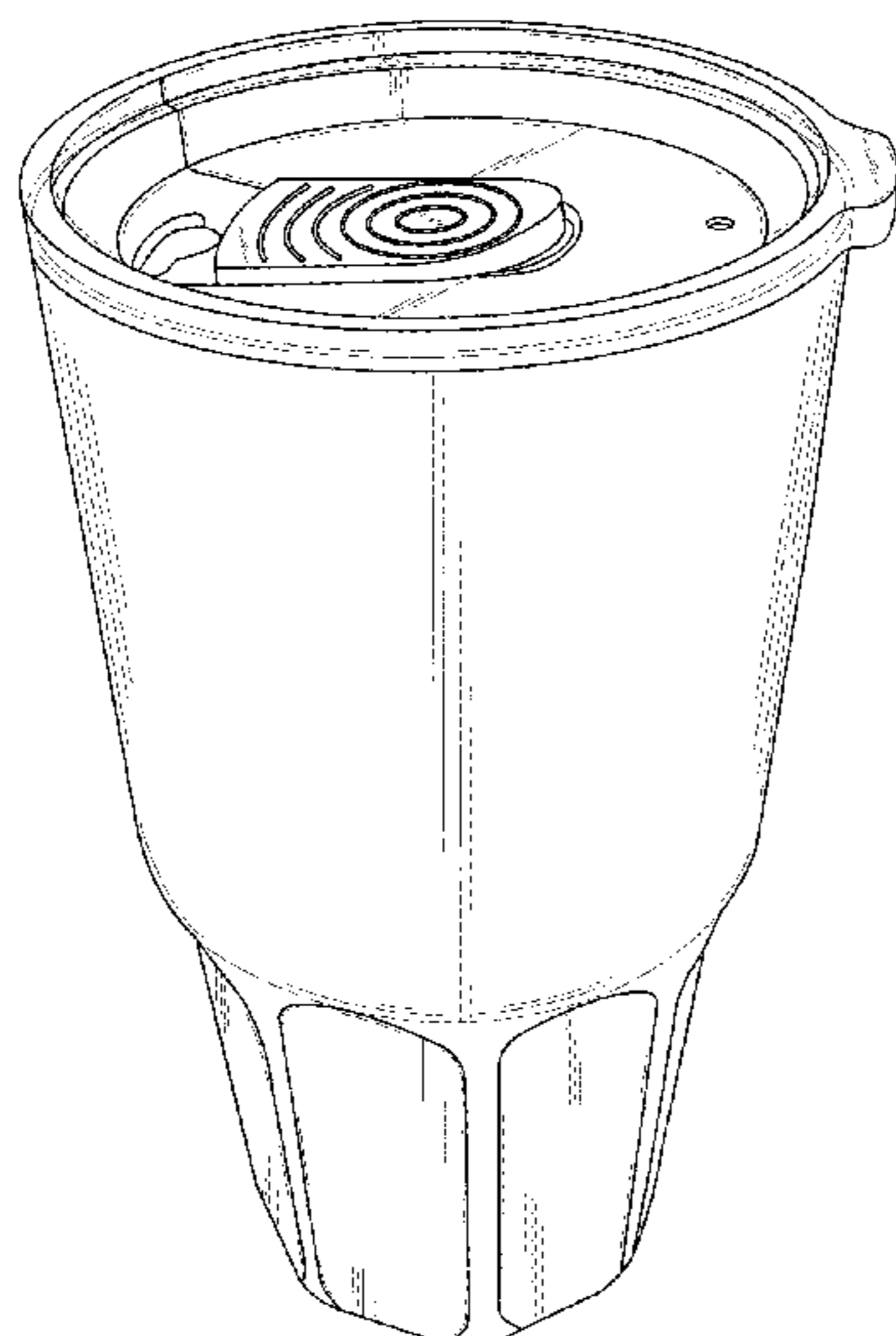
(57) **CLAIM**

The ornamental design for a vacuum insulated beverage tumbler, as shown and described.

DESCRIPTION

FIG. 1 is a top front perspective view of a vacuum insulated beverage tumbler, showing my new design;
FIG. 2 is a front elevational view of FIG. 1 thereof;
FIG. 3 is a rear elevational view of FIG. 1 thereof;
FIG. 4 is a left side elevational view of FIG. 1 thereof;
FIG. 5 is a right side elevational view of FIG. 1 thereof;
FIG. 6 is a top plan view of FIG. 1 thereof; and,
FIG. 7 is a bottom plan view of FIG. 1 thereof.
The broken lines indicate unclaimed portions of the design and form no part of the claimed design.

1 Claim, 7 Drawing Sheets



(56)

References Cited

U.S. PATENT DOCUMENTS

D808,722 S * 1/2018 Hill D7/510
2017/0121074 A1 * 5/2017 Seiders A47G 19/2272

* cited by examiner

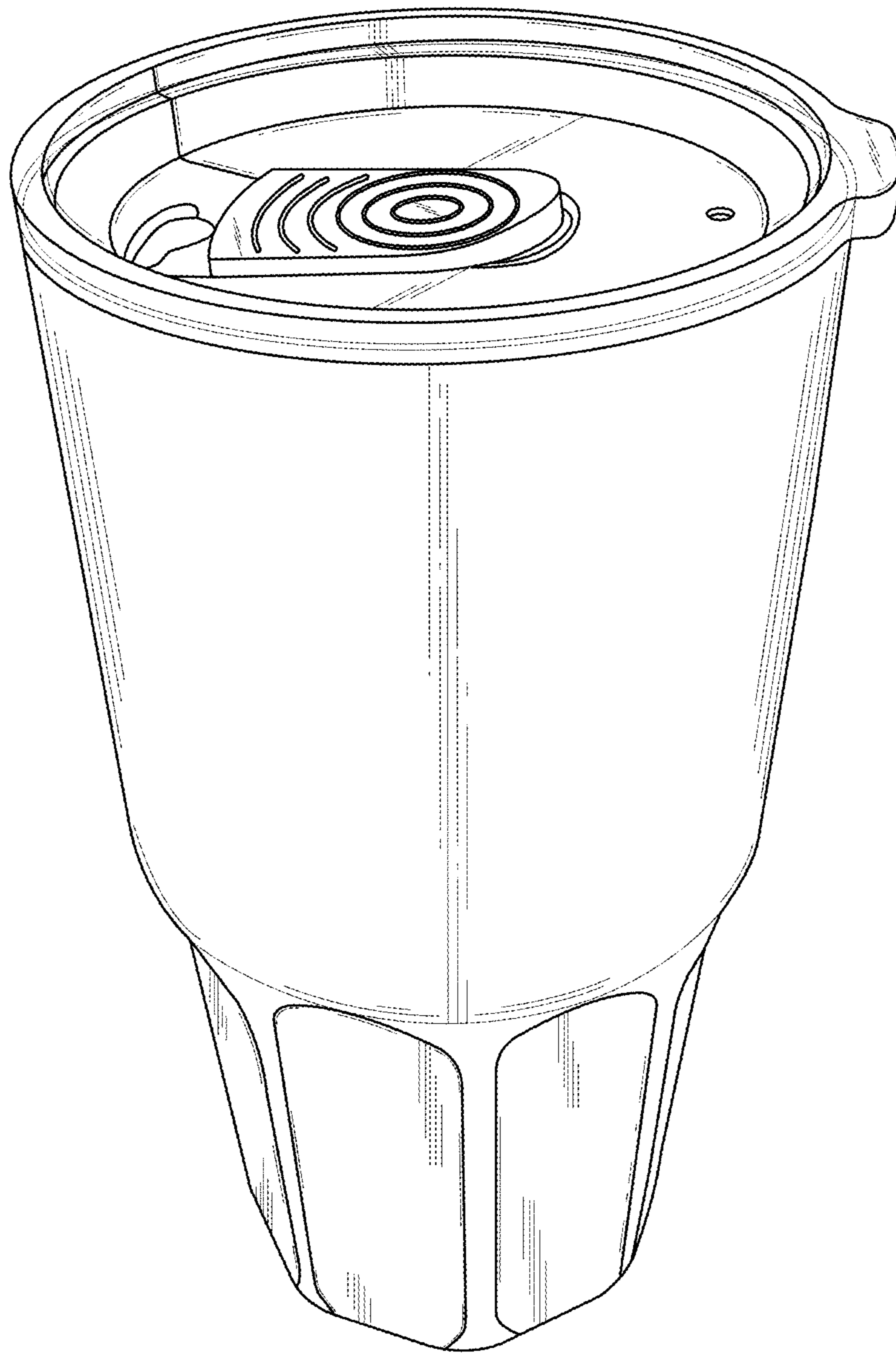


FIG.1

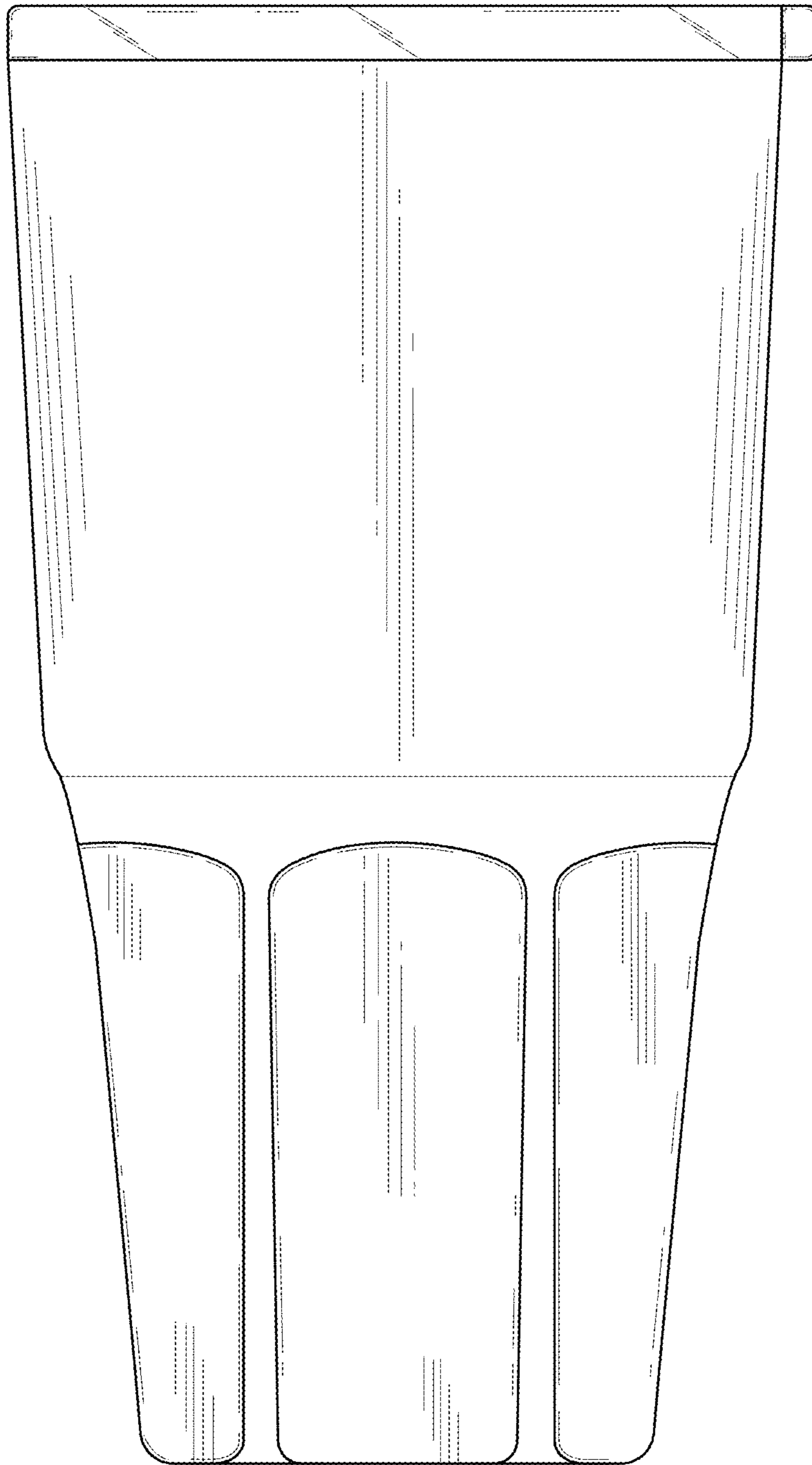


FIG. 2

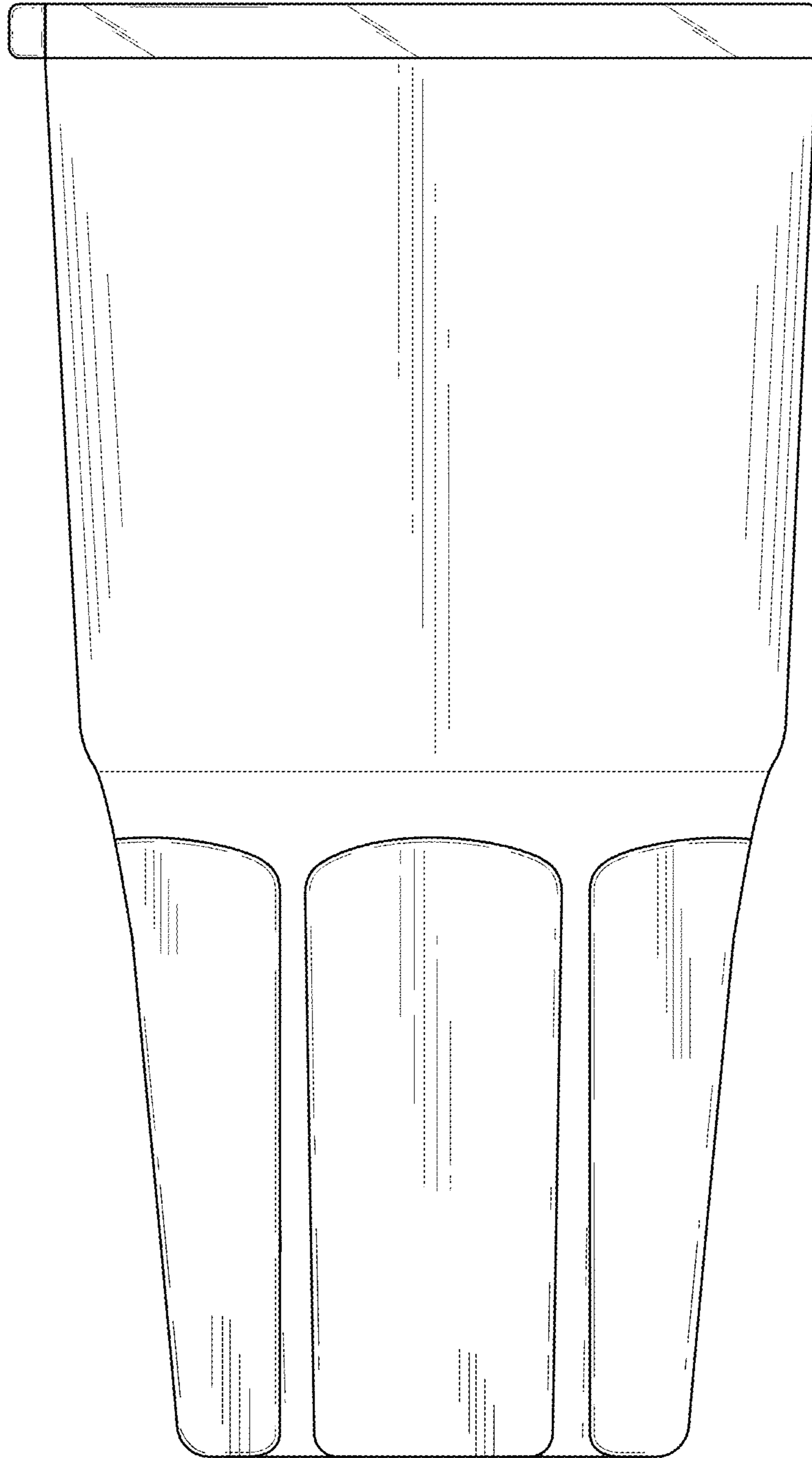


FIG. 3

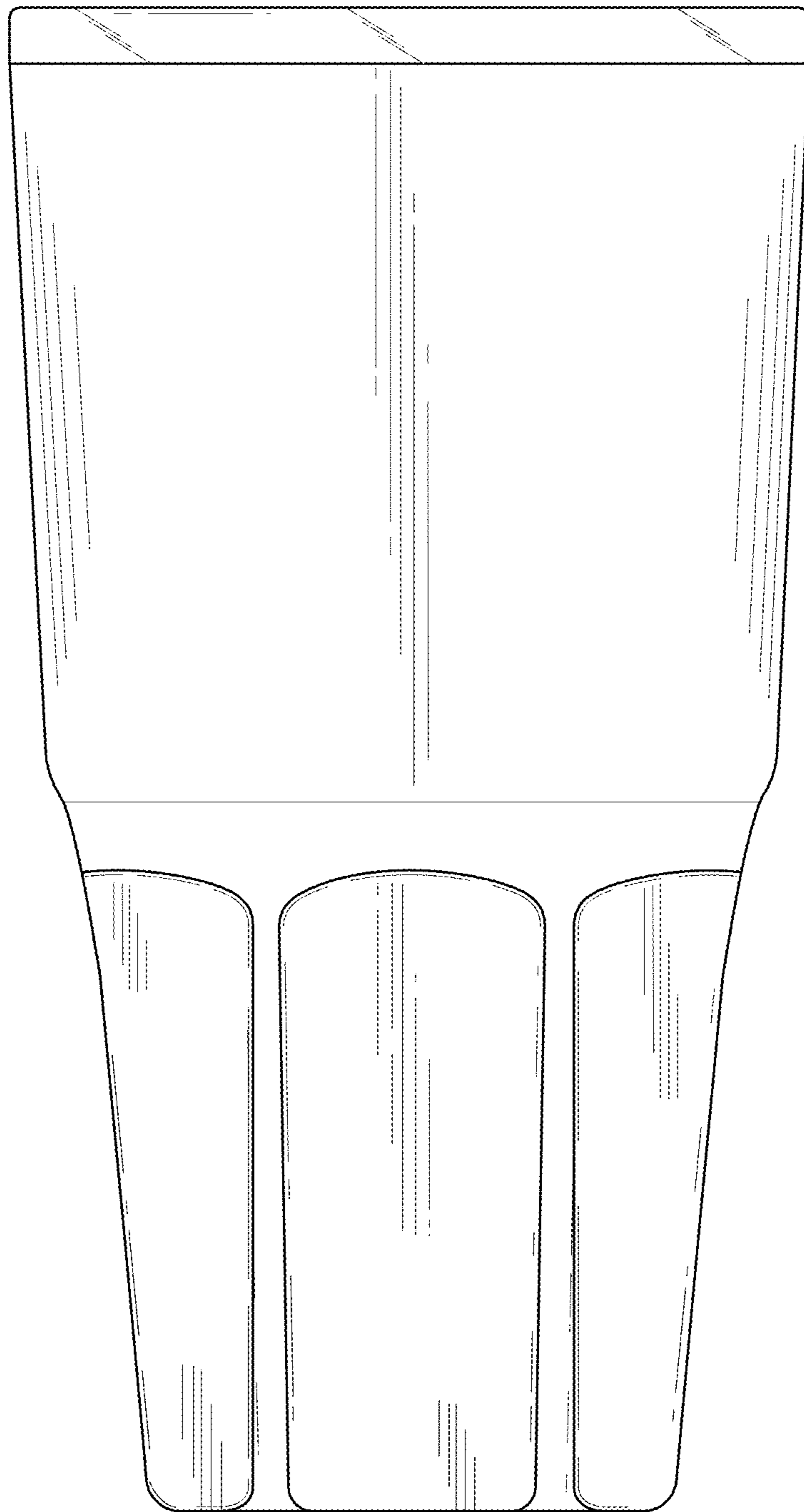


FIG. 4

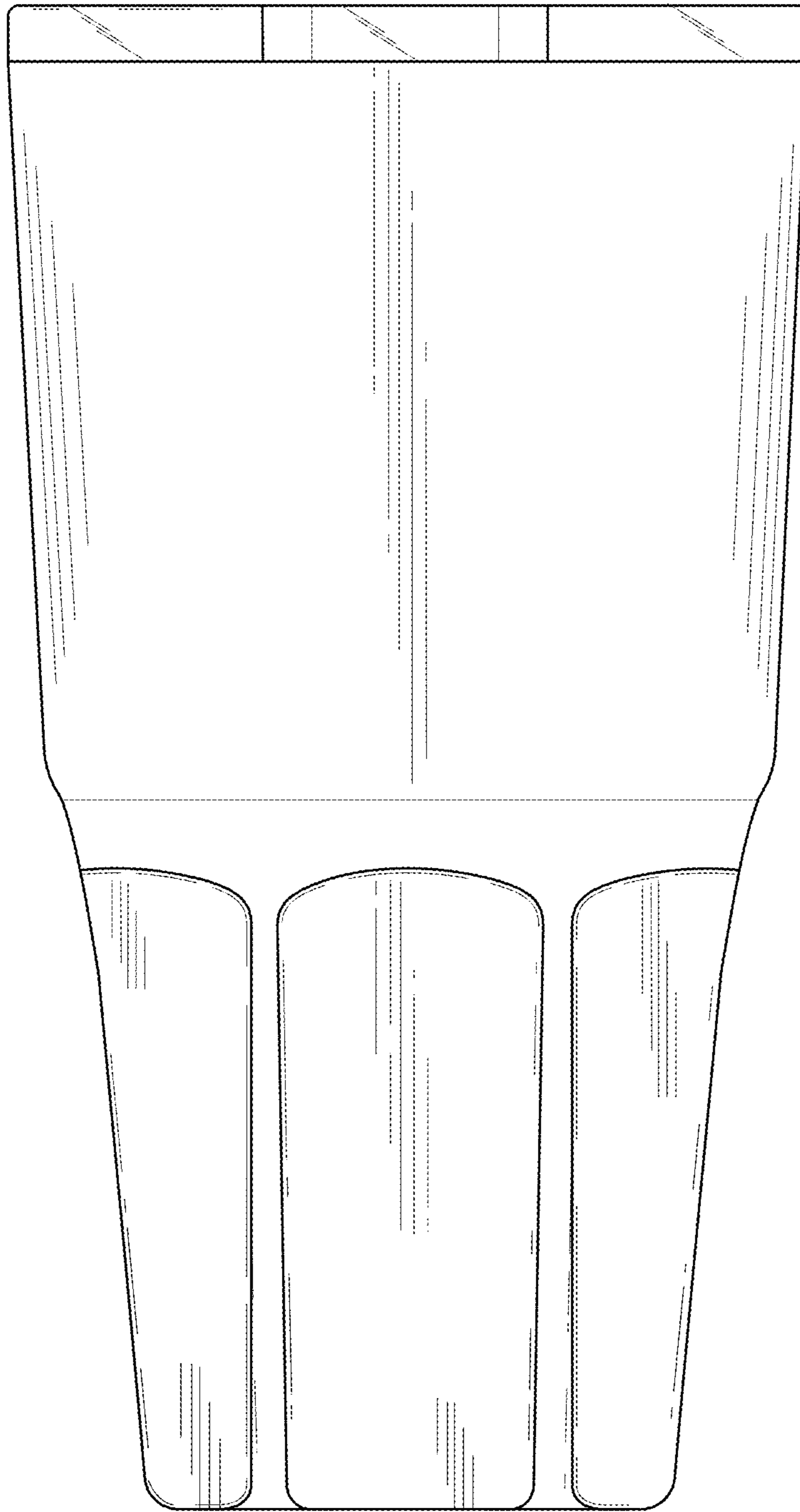


FIG. 5

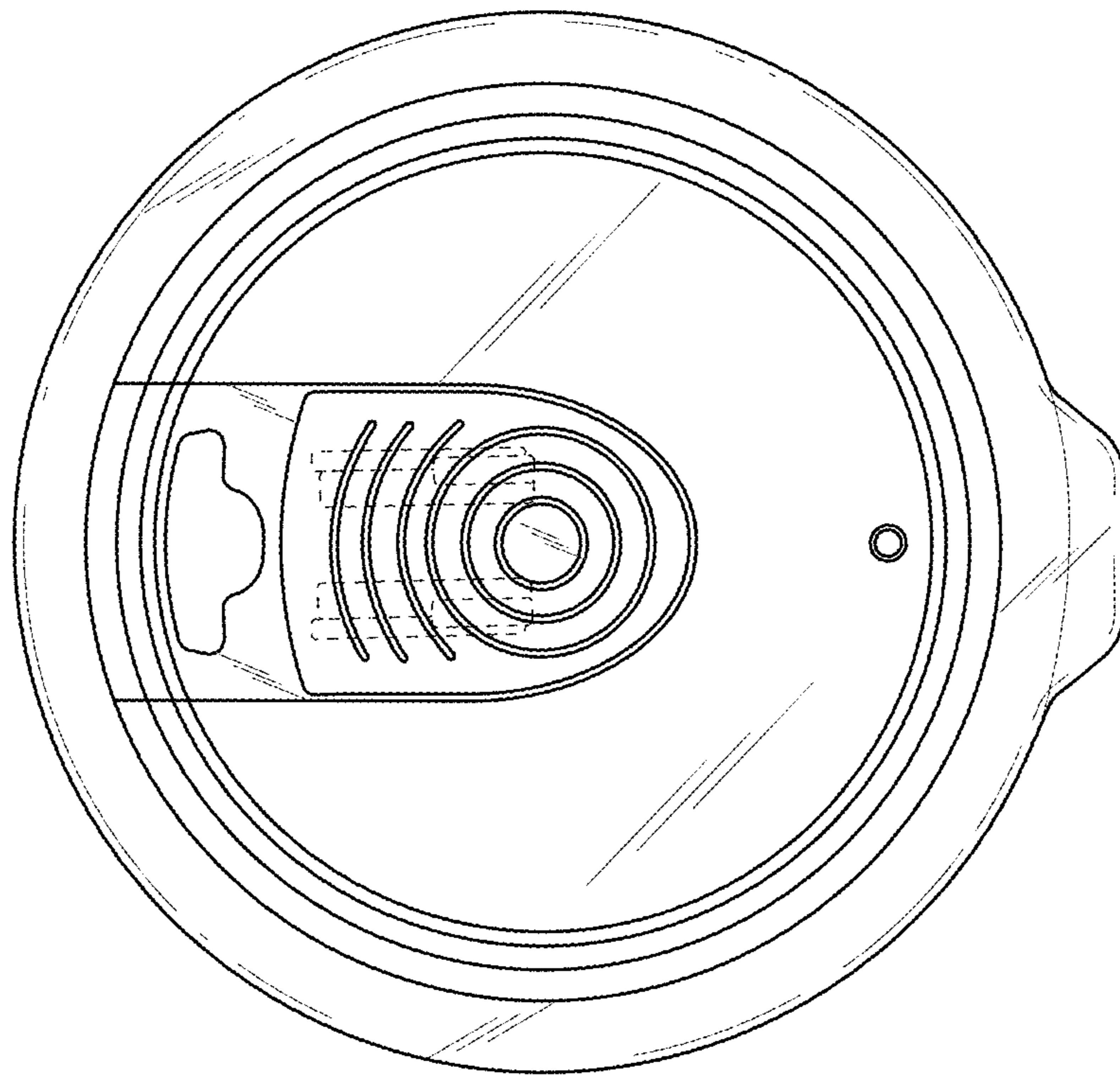


FIG. 6

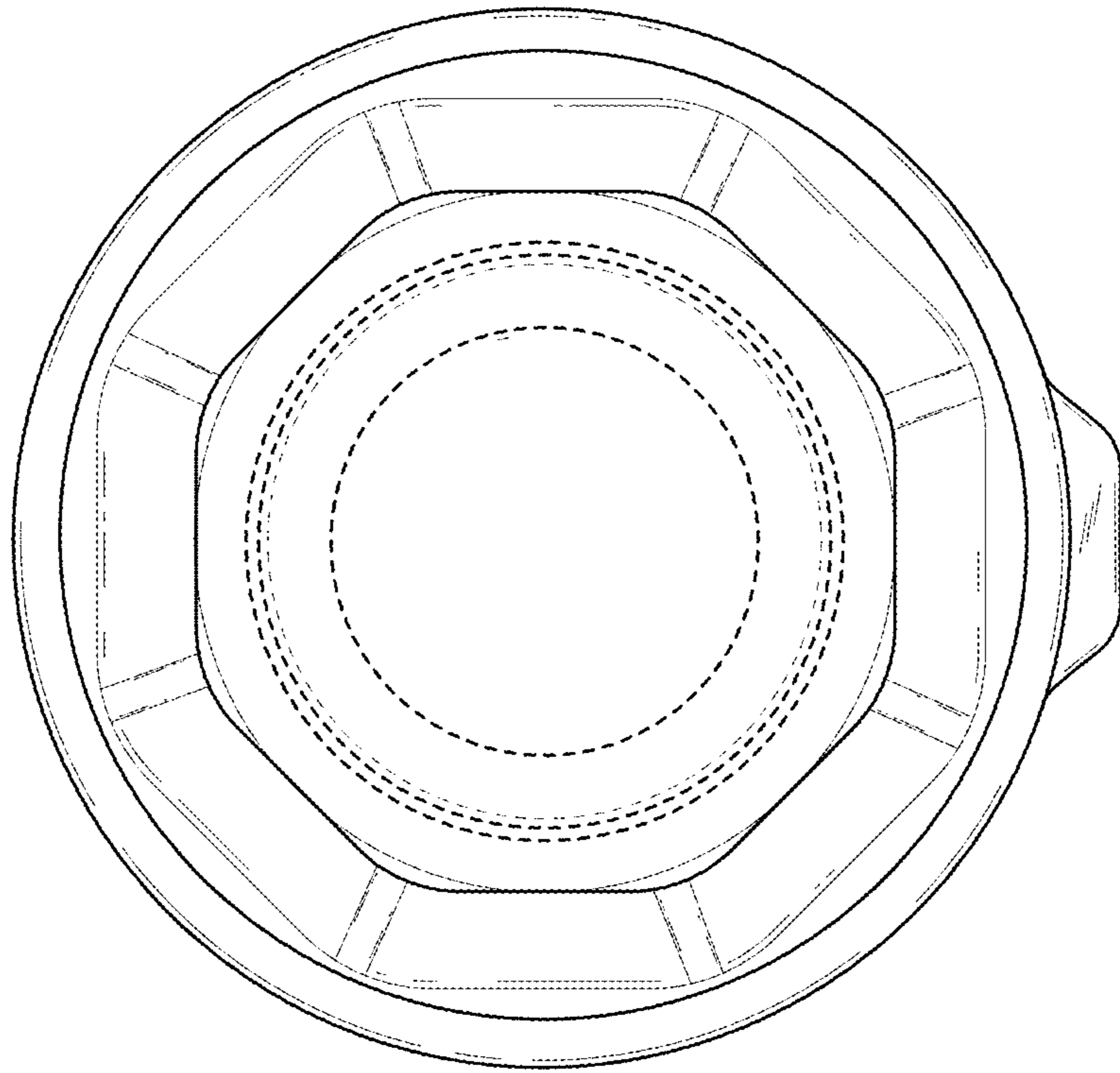


FIG. 7