



US00D825991S

(12) **United States Design Patent** (10) **Patent No.:** **US D825,991 S**
Moon et al. (45) **Date of Patent:** **** Aug. 21, 2018**

(54) **CONVECTION OVEN POWER HEAD**

D677,526 S * 3/2013 Wade D7/335
D727,090 S * 4/2015 St. Jacques D7/387
D745,321 S * 12/2015 Koch D7/407
D758,129 S * 6/2016 Filho D7/407

(71) Applicant: **NuWave, LLC**, Libertyville, IL (US)

(72) Inventors: **Jung S. Moon**, Long Grove, IL (US);
Eunjung Huh, Grayslake, IL (US);
Byung G. Choi, Lake Villa, IL (US);
Li Xiang Jun, Foshan (CN); **Kim Jong Rok**, Seoul (KR)

* cited by examiner

Primary Examiner — Sheryl Lane

Assistant Examiner — Nicole C Shiflet

(74) *Attorney, Agent, or Firm* — Bishop Diehl & Lee, Ltd.

(73) Assignee: **NuWave, LLC**, Libertyville, IL (US)

(**) Term: **15 Years**

(57) **CLAIM**

The ornamental design for a convection oven power head, as shown and described.

(21) Appl. No.: **29/608,504**

DESCRIPTION

(22) Filed: **Jun. 22, 2017**

(51) **LOC (11) Cl.** **07-02**

(52) **U.S. Cl.**
USPC **D7/407**

(58) **Field of Classification Search**
USPC D7/402–409, 323, 332–351, 362–367,
D7/399, 397, 309; D23/386, 397, 402,
D23/415–419; D15/81
CPC F24C 15/10; F24C 15/107; F24C 15/001;
F24C 3/08; F24C 3/082; F24C 3/085;
H05B 6/6414; H05B 6/6408
See application file for complete search history.

FIG. 1 is a top isometric view of a convection oven power head showing the new design mounted to a body for a convection oven;

FIG. 2 is a front view thereof;

FIG. 3 is a rear view thereof;

FIG. 4 is a left side view thereof;

FIG. 5 is a right side view thereof;

FIG. 6 is a top view thereof;

FIG. 7 is a bottom view thereof;

FIG. 8 is a top isometric view of the convection oven power head as shown in FIG. 1 removed from the body of the convection oven;

FIG. 9 is a bottom isometric view thereof;

FIG. 10 is a front view thereof;

FIG. 11 is a rear view thereof;

FIG. 12 is a right side view thereof;

FIG. 13 is a left side view thereof;

FIG. 14 is a top view thereof; and,

FIG. 15 is a bottom view thereof.

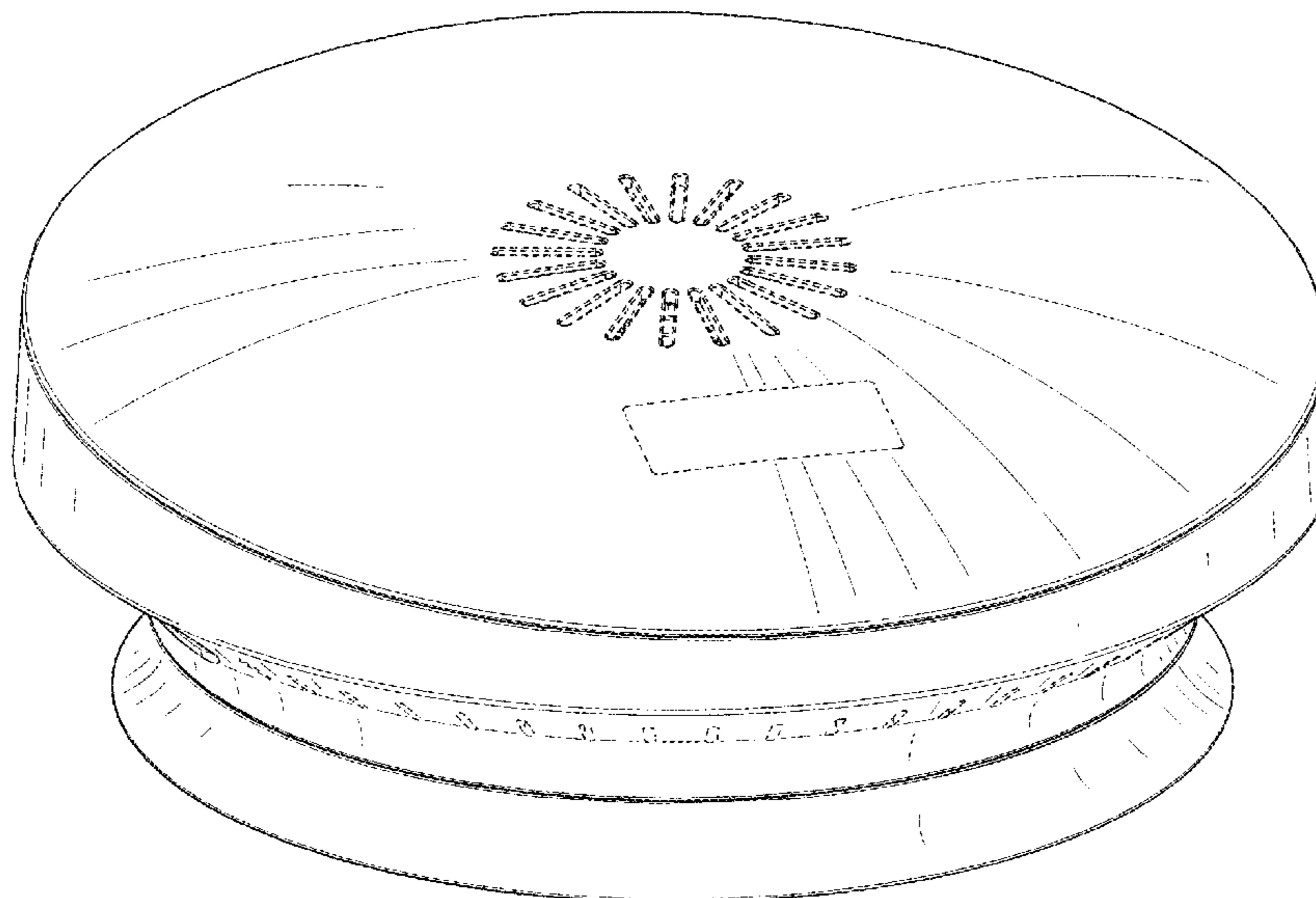
The broken lines showing portions of the article and environment form no part of the claimed design.

(56) **References Cited**

U.S. PATENT DOCUMENTS

D222,122 S * 9/1971 Craver D7/407
D303,608 S * 9/1989 Liwski D7/402
D313,332 S * 1/1991 Johnson D7/335
D344,873 S * 3/1994 Chang D7/348
D369,517 S * 5/1996 Ferlin D7/407
D564,296 S * 3/2008 Koch D7/407
D581,736 S * 12/2008 Besseas D7/407
D583,613 S * 12/2008 Proffitt D7/332

1 Claim, 13 Drawing Sheets



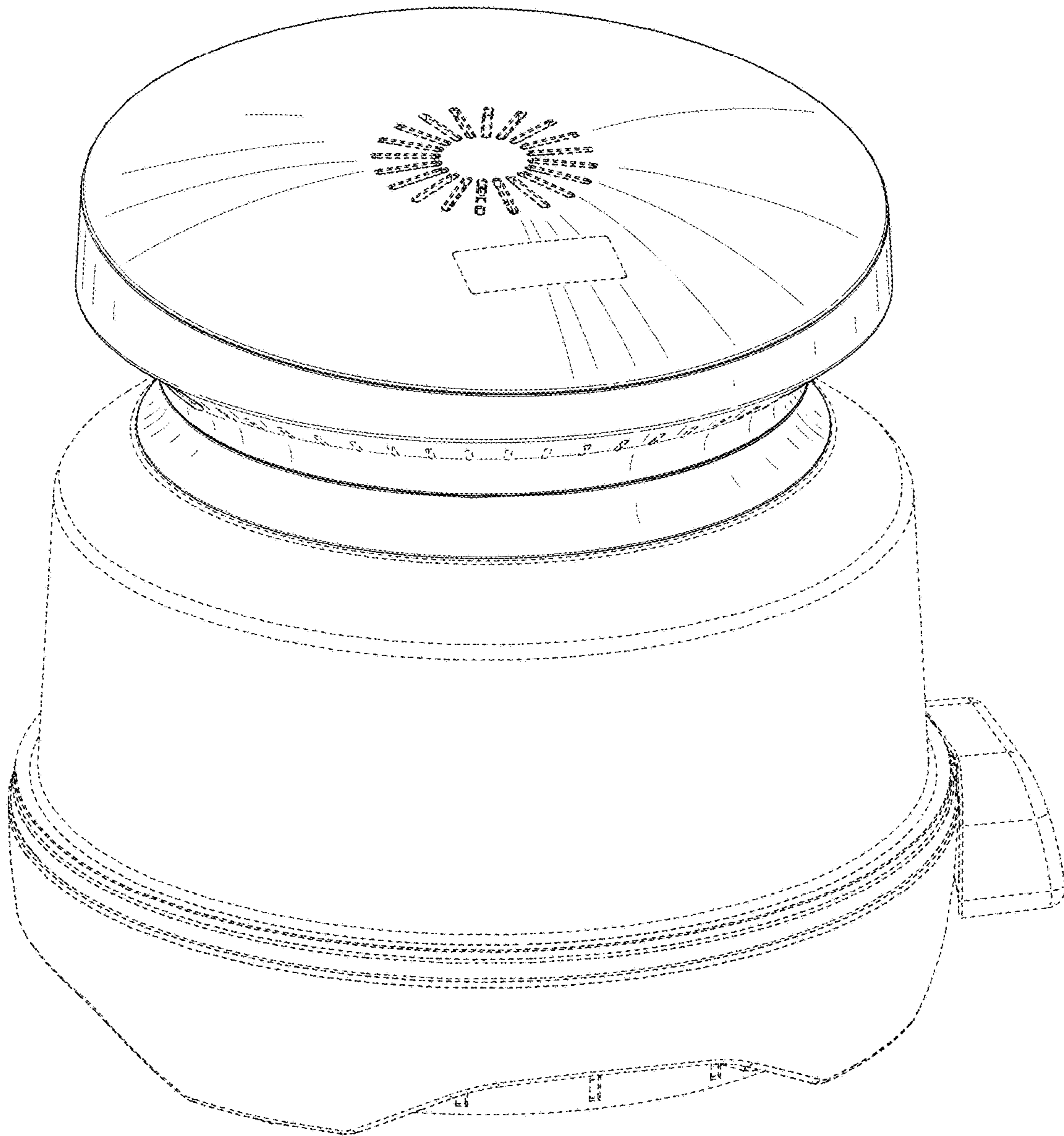


FIG. 1

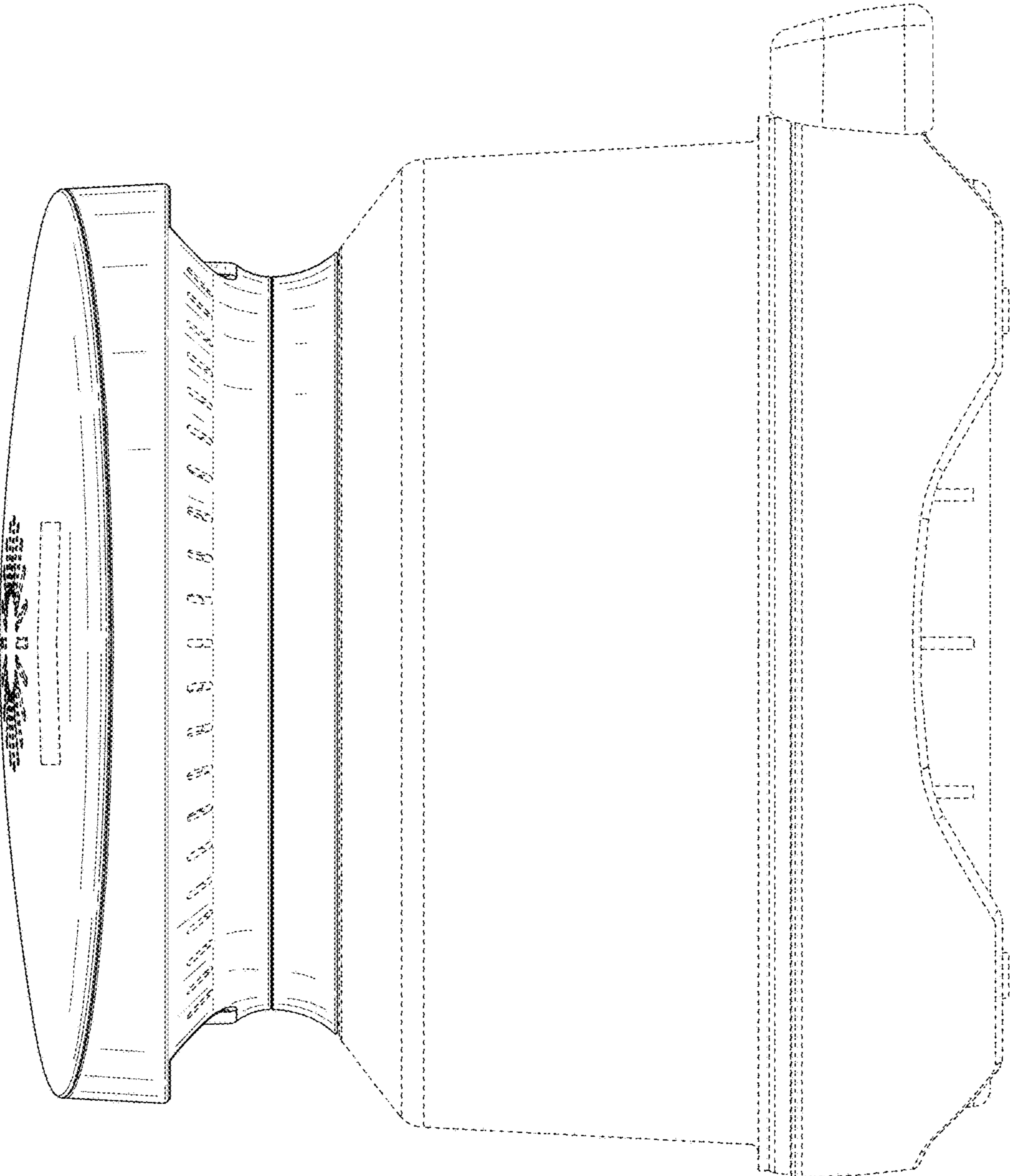


FIG. 2

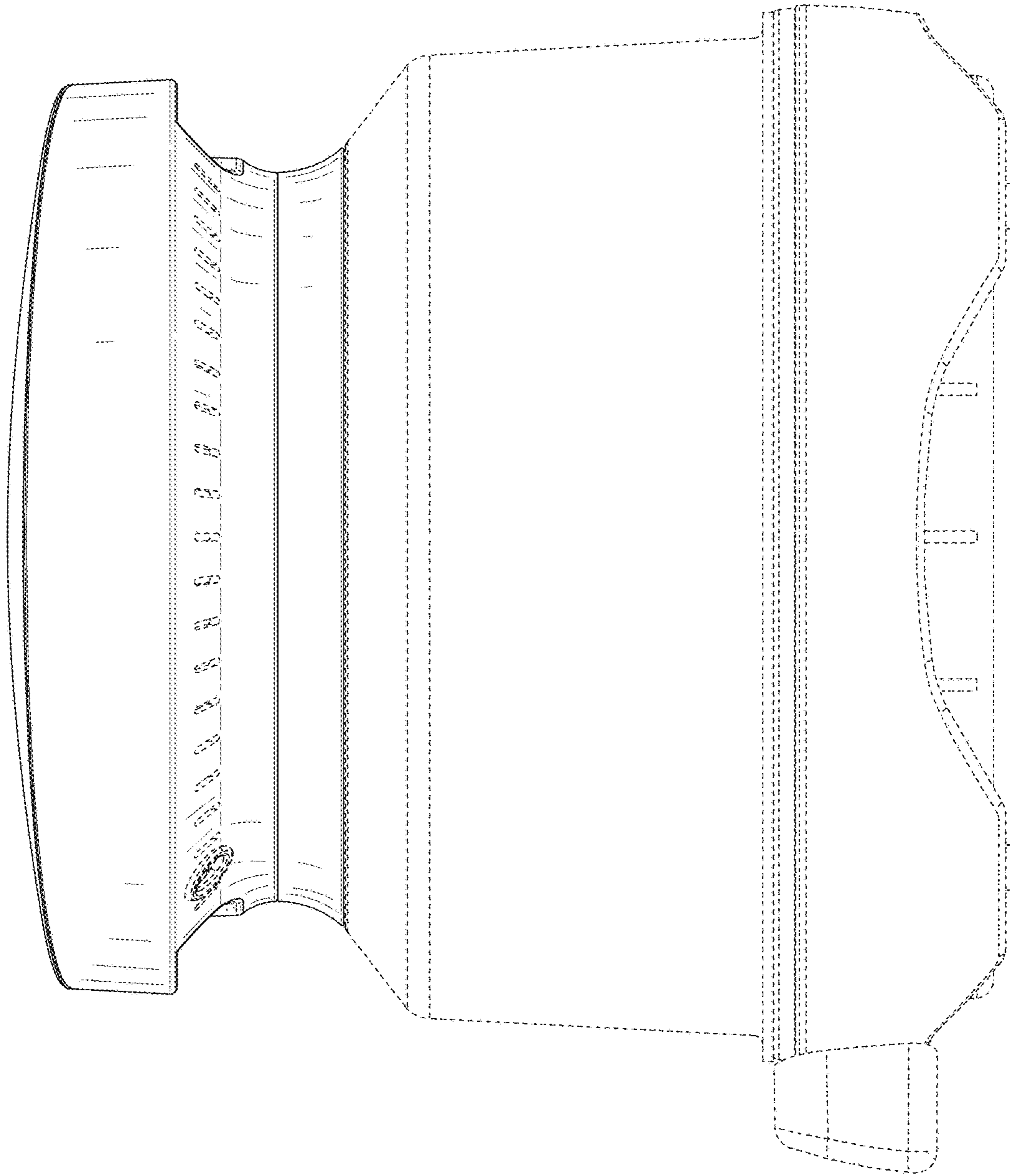


FIG. 3

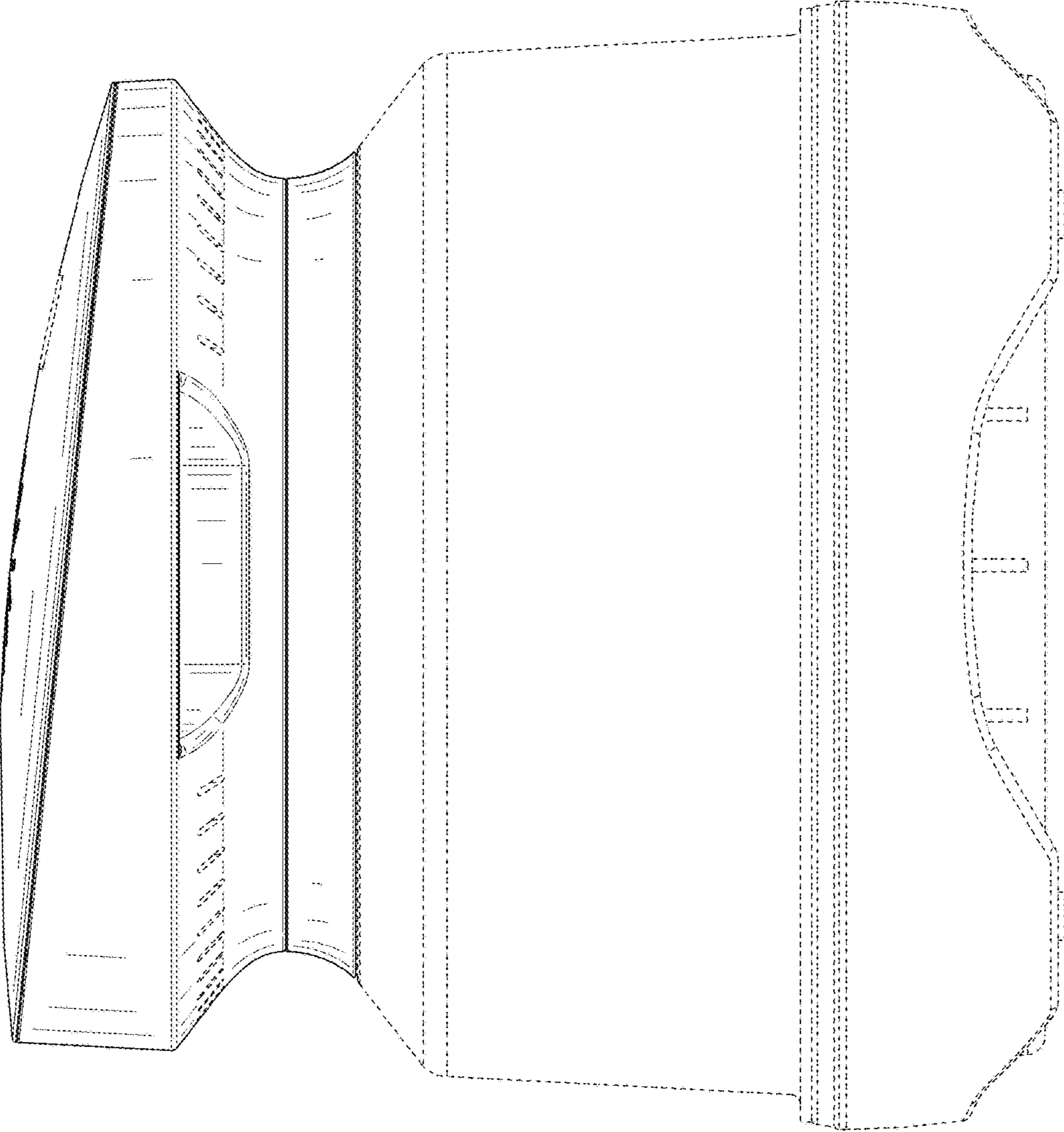


FIG. 4

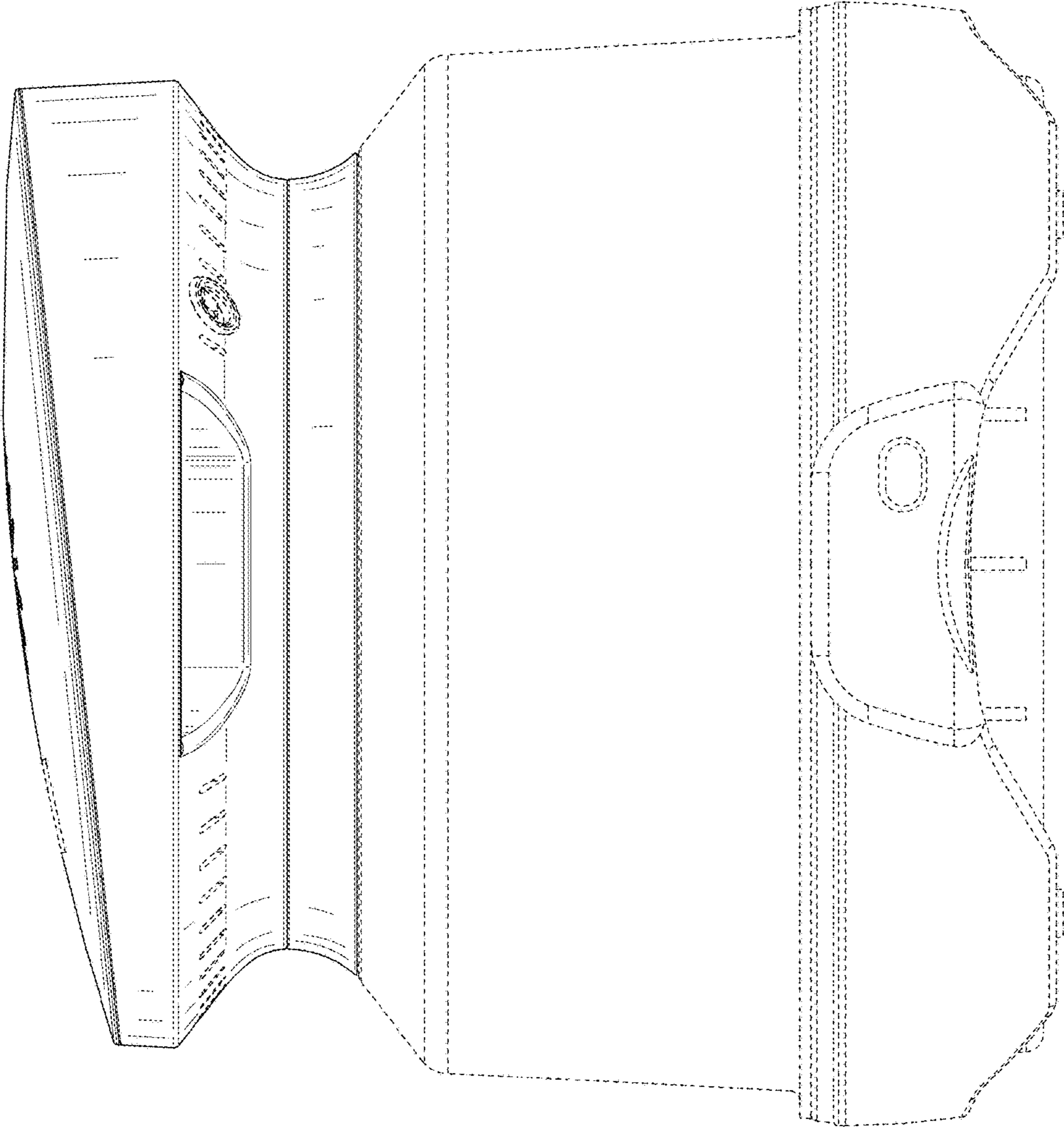


FIG. 5

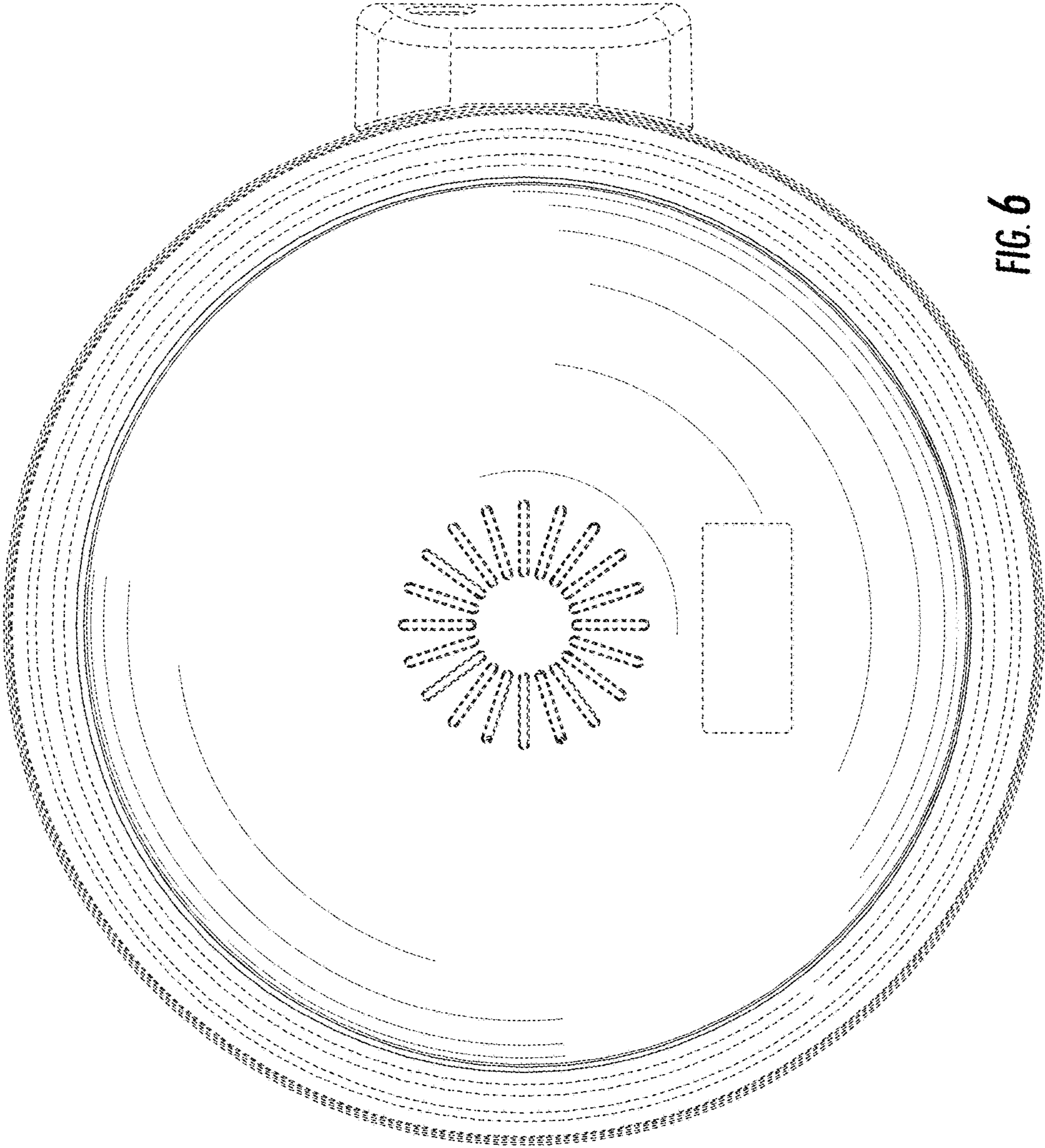


FIG. 6

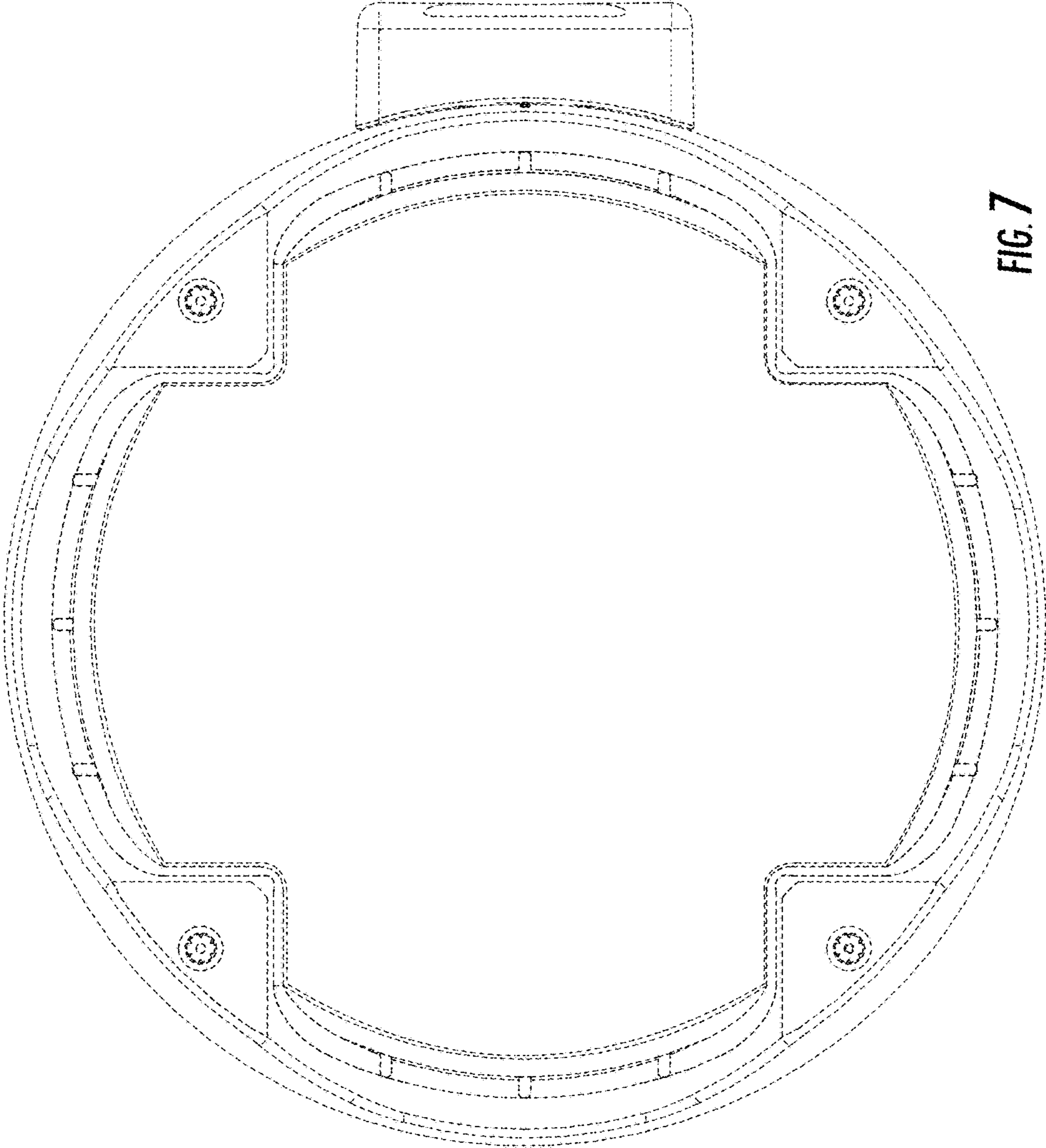


FIG. 7

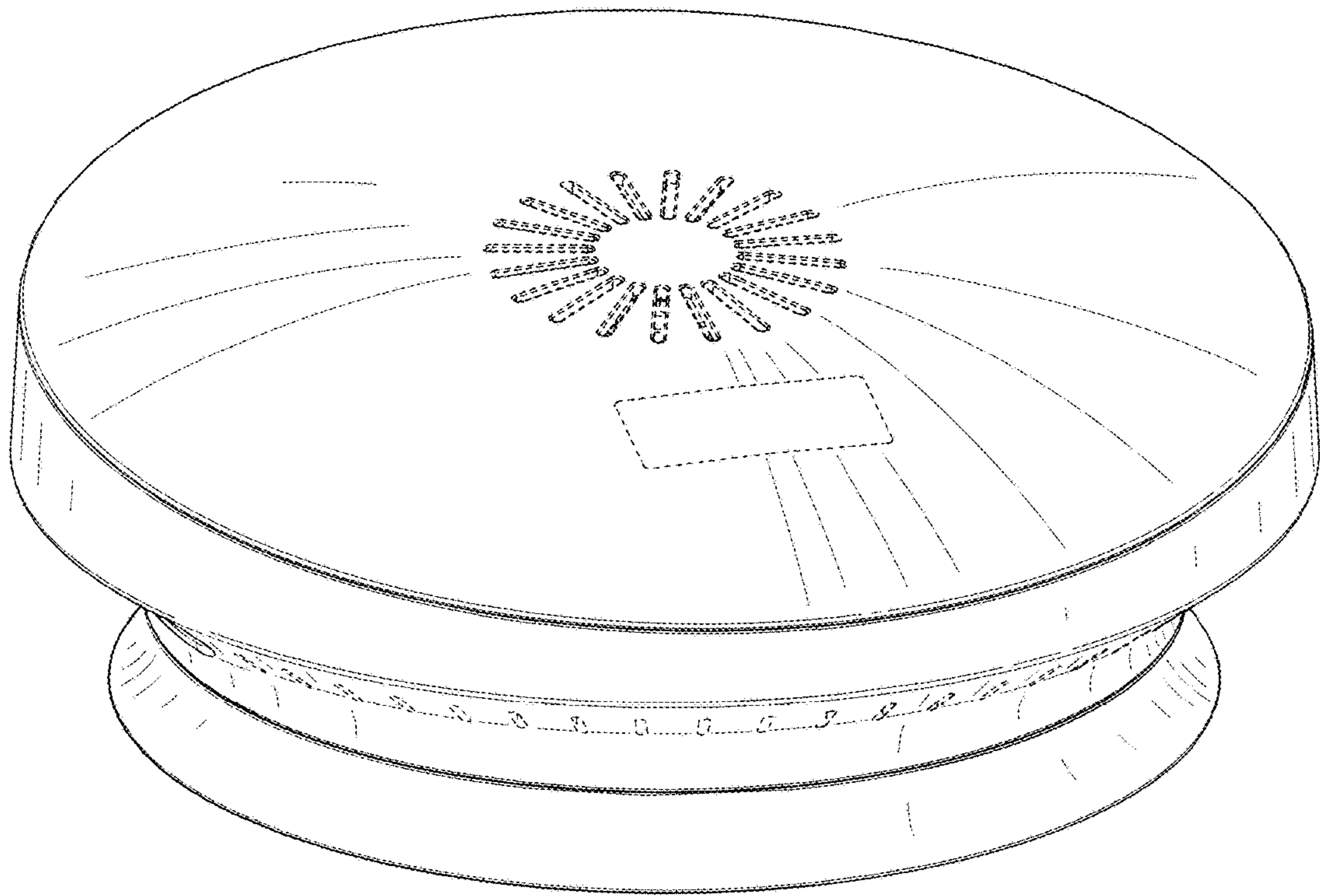


FIG. 8

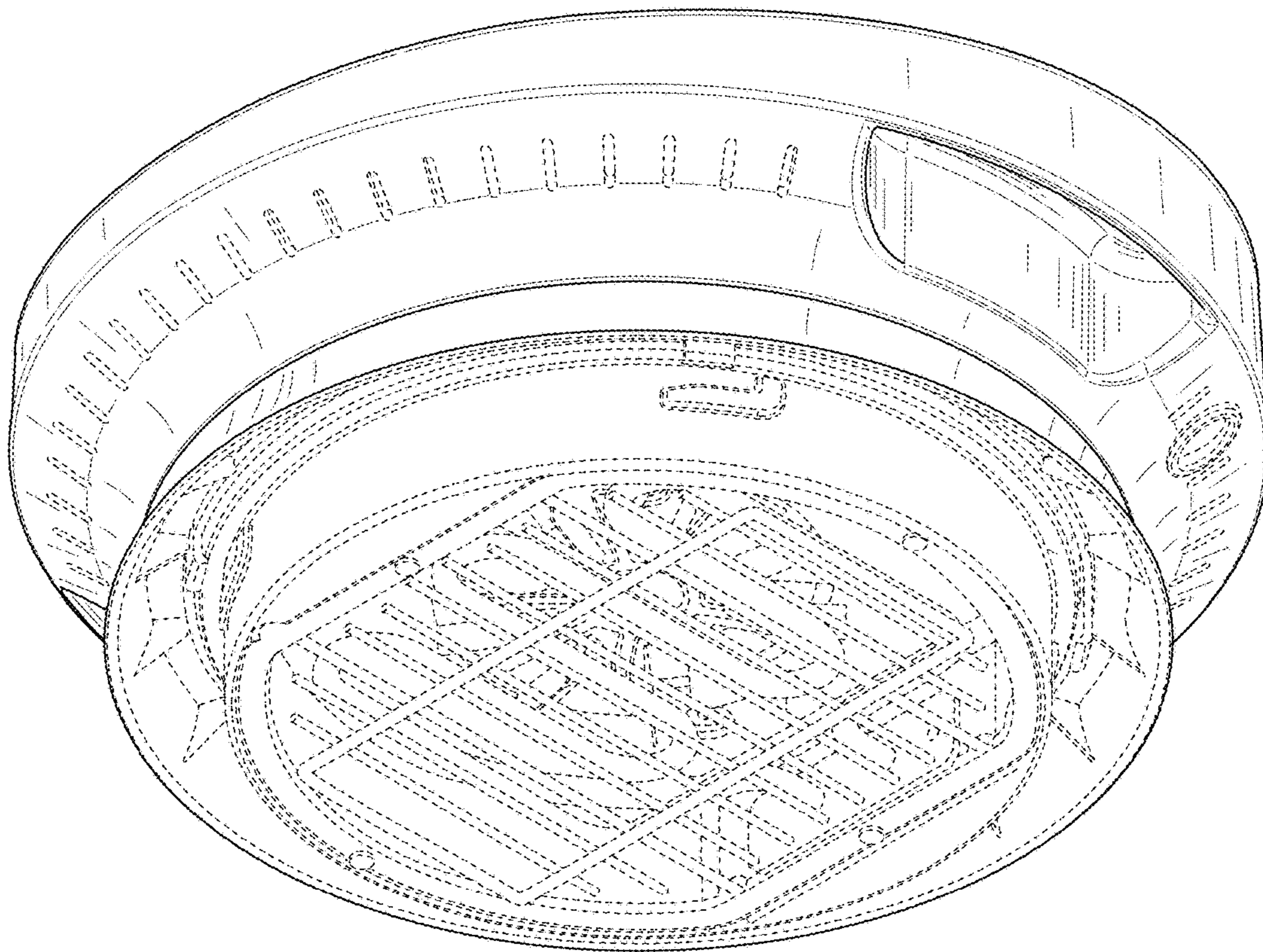


FIG. 9

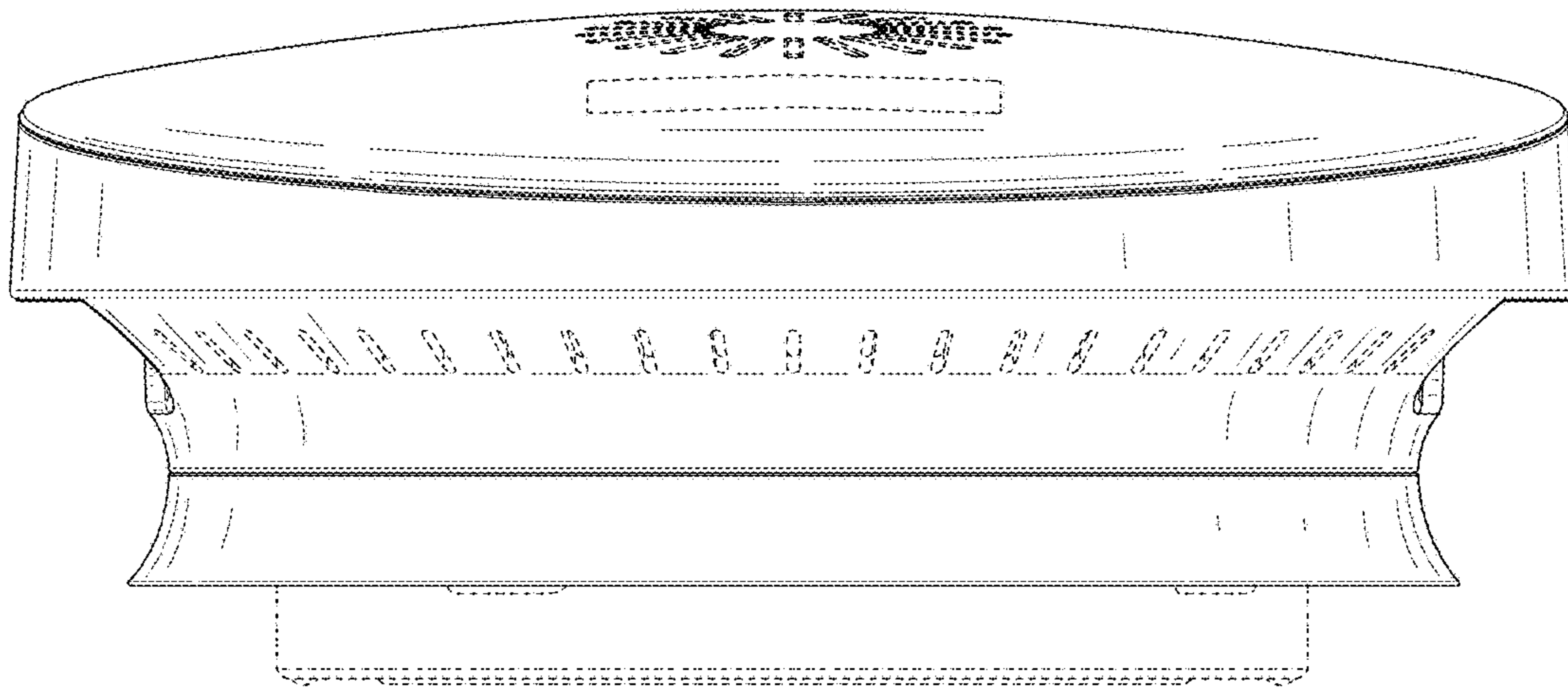


FIG. 10

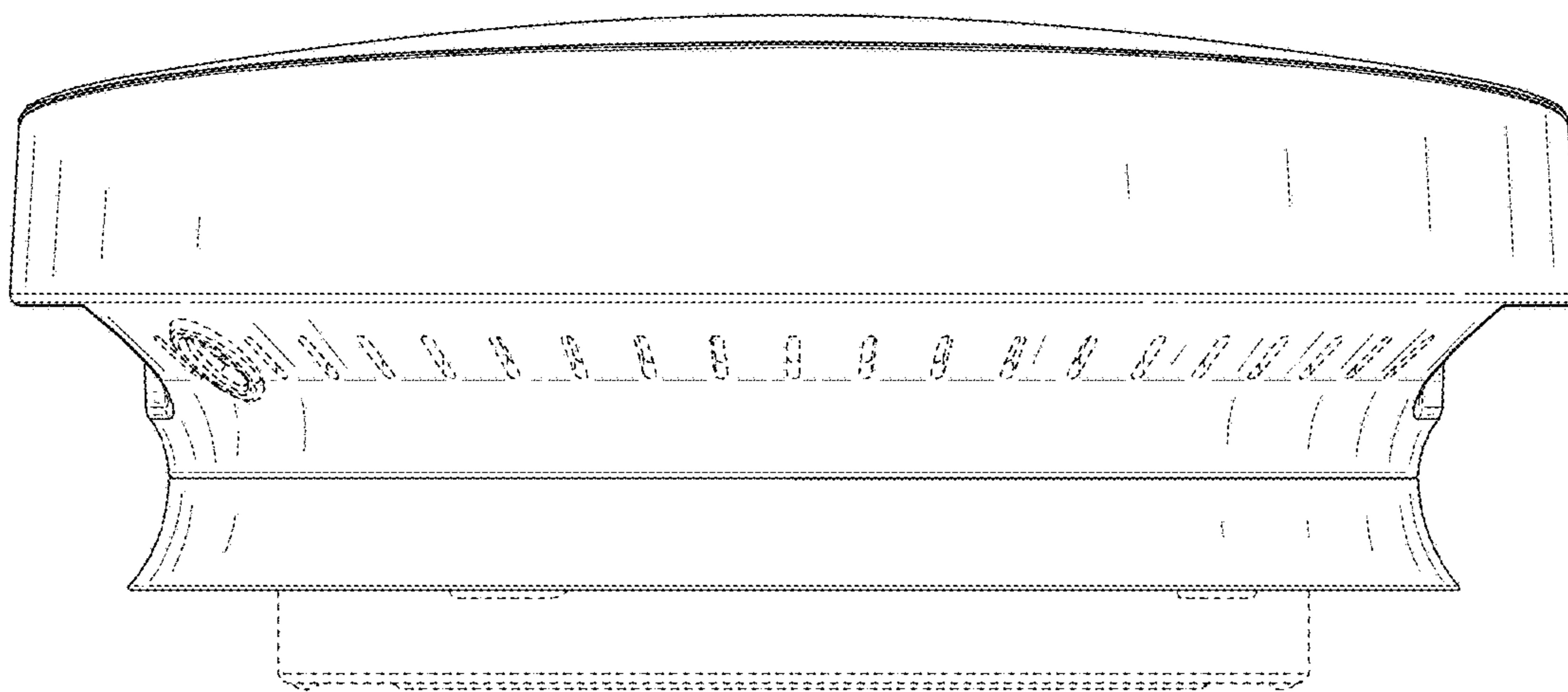


FIG. 11

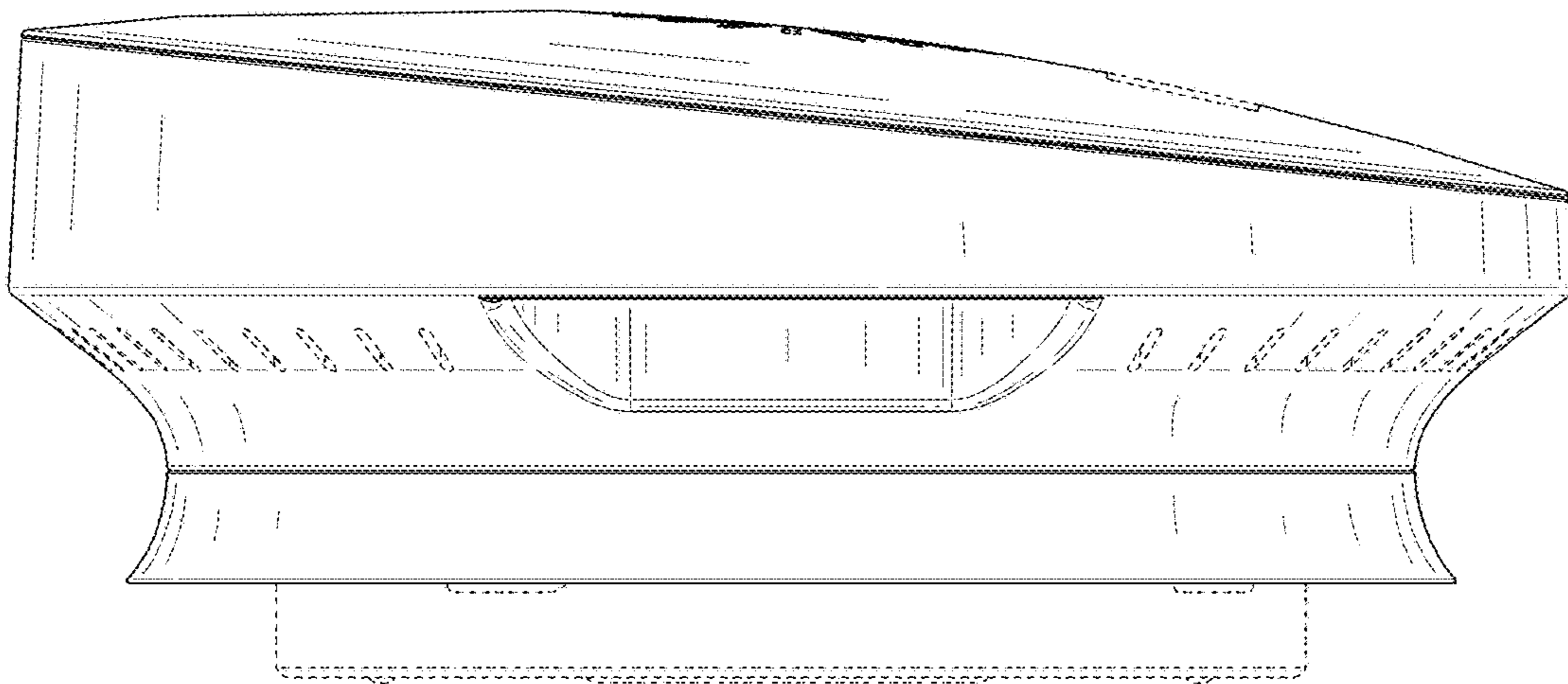


FIG. 12

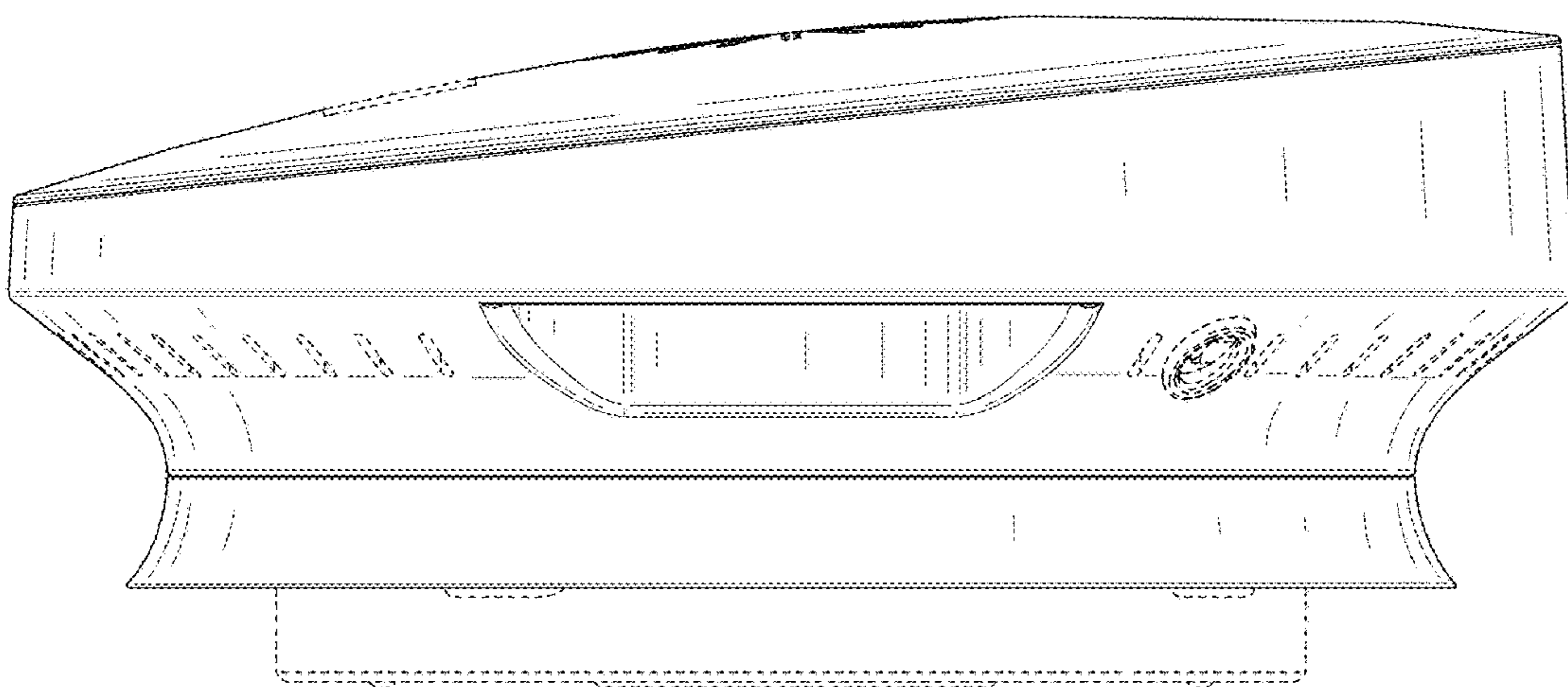


FIG. 13

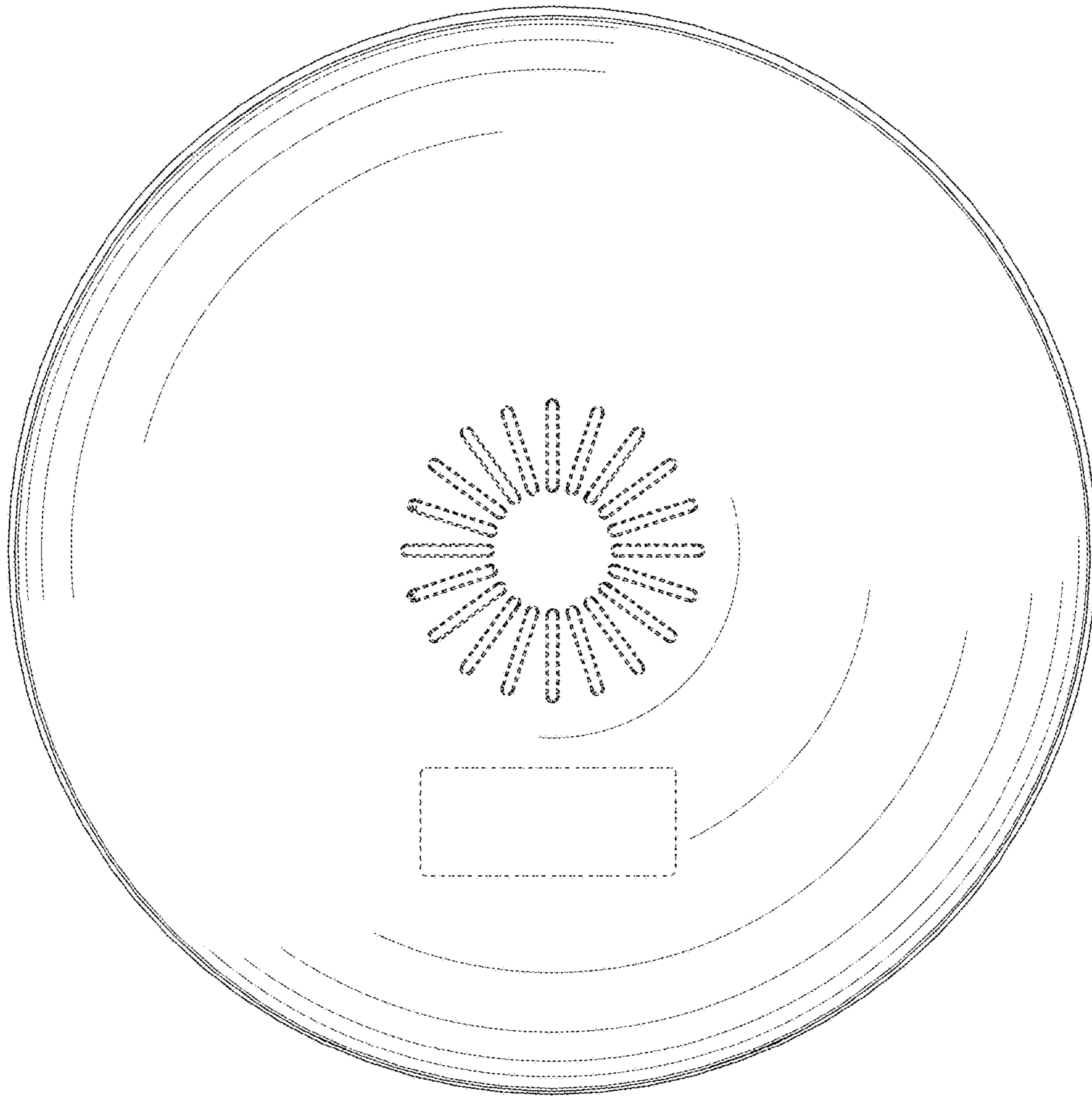


FIG. 14

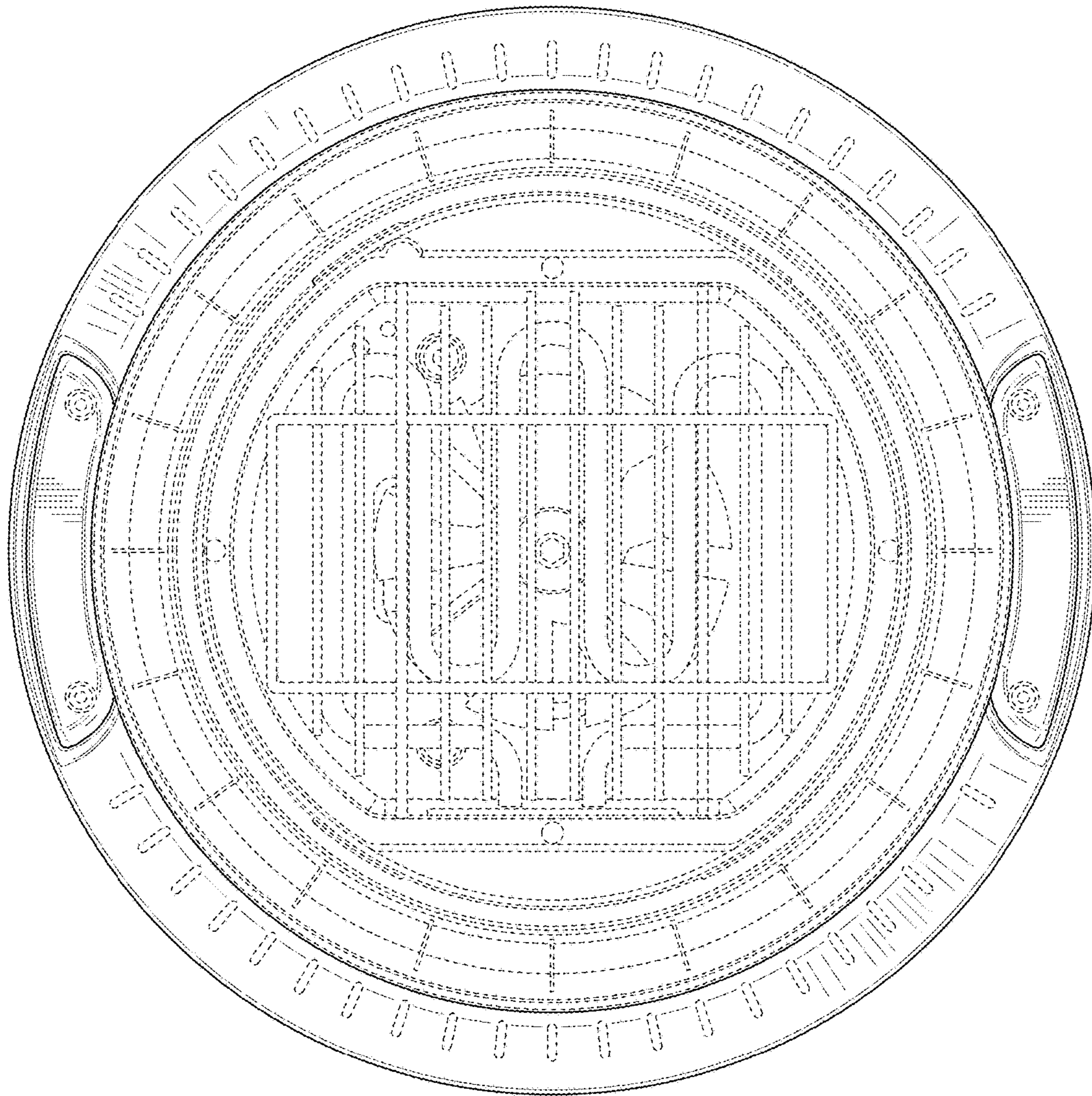


FIG. 15