



US00D825990S

(12) **United States Design Patent** (10) **Patent No.:** **US D825,990 S**
Colston et al. (45) **Date of Patent:** **** Aug. 21, 2018**

(54) **HINGED GRILL LID**

- (71) Applicant: **Traeger Pellet Grills LLC**,
Wilsonville, OR (US)
- (72) Inventors: **Michael Colston**, Salt Lake City, UT
(US); **Daniel A. C. Altenritter**,
Riverton, UT (US); **Matthew G.**
Czach, Kalamazoo, MI (US)
- (73) Assignee: **Traeger Pellet Grills, LLC**, Salt Lake
City, UT (US)

(**) Term: **15 Years**

(21) Appl. No.: **29/539,825**

(22) Filed: **Sep. 17, 2015**

(51) **LOC (11) Cl.** **07-02**

(52) **U.S. Cl.**

USPC **D7/405**

(58) **Field of Classification Search**

USPC D7/402-409, 332-337, 323

CPC A47J 37/07; A47J 37/0704; A47J 37/0763;

A47J 37/0709; A47J 37/0713

See application file for complete search history.

(56) **References Cited**

U.S. PATENT DOCUMENTS

1,300,710	A	4/1919	Edwards	
2,902,026	A	9/1959	Hathorn	
3,533,393	A	10/1970	Haapanen	
3,665,913	A	5/1972	Cagle	
3,769,901	A *	11/1973	Phillips	A47J 37/0704 126/25 R

3,938,493	A	2/1976	Bauer	
4,076,008	A	2/1978	Deaton	
4,362,093	A	12/1982	Griscom	
4,592,335	A	6/1986	Beller	

(Continued)

FOREIGN PATENT DOCUMENTS

CN 104352179 2/2015

OTHER PUBLICATIONS

Traeger Timberline 1300, by John R Delaney, PCMag [online],
published Aug. 4, 2017, [retrieved on Dec. 21, 2017]. Retrieved
from the Internet, URL: <https://www.pcmag.com/review/355354/traeger-timberline-1300>.*

(Continued)

Primary Examiner — Sheryl Lane

Assistant Examiner — Nicole C Shiflet

(74) *Attorney, Agent, or Firm* — Workman Nydegger

(57) **CLAIM**

The ornamental design for a hinged grill lid, as shown and
described.

DESCRIPTION

FIG. 1 is a front, left perspective view of a first embodiment
of my new design for a hinged grill lid shown in a grilling
environment;

FIG. 2 is a top plan view of the hinged grill lid shown in FIG.
1 removed from the grilling environment;

FIG. 3 is a bottom plan view thereof;

FIG. 4 is a front elevation view thereof;

FIG. 5 is a rear elevation view thereof;

FIG. 6 is a right side elevation view thereof;

FIG. 7 is a left side elevation view thereof;

FIG. 8 is a front, left perspective view of another embodi-
ment of my new design for a hinged grill lid;

FIG. 9 is a top plan view thereof;

FIG. 10 is a bottom plan view thereof;

FIG. 11 is a front elevation view thereof;

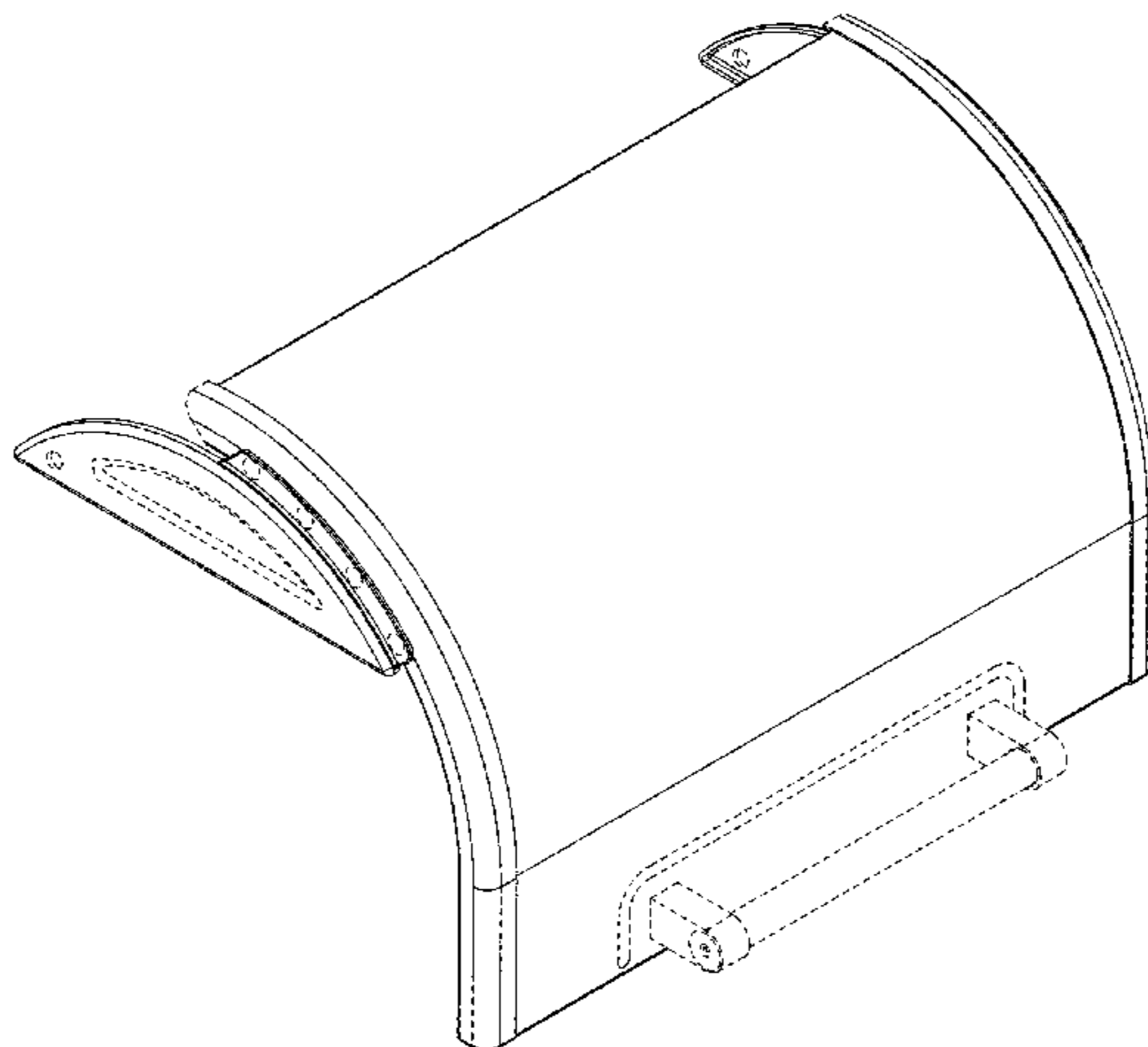
FIG. 12 is a rear elevation view thereof;

FIG. 13 is a right side elevation view thereof; and,

FIG. 14 is a left side elevation view thereof.

The broken lines in the drawings depict environmental
subject matter only and form no part of the claimed design.

1 Claim, 14 Drawing Sheets



(56)

References Cited

U.S. PATENT DOCUMENTS

4,665,891 A 5/1987 Nemeec
 4,700,618 A 10/1987 Cox
 4,788,906 A 12/1988 Starks
 5,031,602 A 7/1991 Vick
 5,070,857 A * 12/1991 Sarten A47J 37/0704
 126/25 A
 5,163,359 A 11/1992 McLane
 5,404,795 A 4/1995 Coble
 5,481,964 A 1/1996 Kitten
 5,524,610 A 6/1996 Clark
 5,934,180 A 8/1999 Lin
 6,125,836 A 10/2000 Felton
 6,189,528 B1 2/2001 Oliver
 6,209,533 B1 4/2001 Ganard
 6,422,134 B1 7/2002 Barksdale
 6,557,545 B2 5/2003 Williams
 6,810,792 B1 11/2004 Knight
 6,913,011 B1 7/2005 Snider
 D510,835 S * 10/2005 Pai D7/334
 D534,755 S 1/2007 Knight
 D535,522 S * 1/2007 Seager D7/332
 7,156,087 B1 1/2007 Churchhill
 7,624,675 B2 12/2009 Galdamez
 7,753,047 B1 7/2010 Trammell
 7,984,709 B1 * 7/2011 Byrnes A47J 37/0704
 126/25 R
 D660,646 S * 5/2012 Simms, II D7/402
 8,381,712 B1 2/2013 Simms
 D680,794 S * 4/2013 Chung D7/332
 8,915,238 B2 12/2014 Goeken
 D739,170 S * 9/2015 Chung D7/337
 D786,014 S * 5/2017 Knight D7/405
 2003/0019492 A1 1/2003 Williams
 2005/0204934 A1 9/2005 Robertson
 2005/0217659 A1 10/2005 McClenahan
 2006/0016447 A1 1/2006 Meyer
 2006/0042475 A1 3/2006 Craig
 2007/0163568 A1 7/2007 Murray
 2007/0175467 A1 8/2007 Liu
 2007/0277805 A1 12/2007 Ho
 2008/0011285 A1 1/2008 Milligan

2010/0024797 A1 2/2010 Tsung
 2010/0083947 A1 4/2010 Guillory
 2011/0079210 A1 4/2011 Jackovitch
 2012/0216790 A1 8/2012 Hopkins
 2012/0266857 A1 10/2012 Lin
 2013/0061765 A1 3/2013 Reinhart
 2013/0112088 A1 5/2013 May
 2013/0298894 A1 * 11/2013 Kleinsasser A47J 37/0704
 126/25 R
 2014/0090634 A1 4/2014 Li
 2014/0261012 A1 9/2014 Perez, Jr. et al.
 2015/0047515 A1 2/2015 Jenness
 2015/0144238 A1 5/2015 Traeger
 2017/0065124 A1 * 3/2017 Colston A47J 37/0704
 2017/0067649 A1 * 3/2017 Colston A47J 37/0704
 2017/0196400 A1 * 7/2017 Colston A47J 37/0704

OTHER PUBLICATIONS

International Search Report for application No. PCT/US2016/051060 dated Dec. 8, 2016.
 International Search Report for application No. PCT/US2016/051066 dated Dec. 8, 2016.
 Restriction Requirement for U.S. Appl. No. 14/906,526 dated Sep. 12, 2017.
 International Search Report and Written Opinion for application No. PCT/US2015/046349 dated Dec. 28, 2015.
 Combined Search Examination Report for application No. GB1604584.1 dated Aug. 1, 2016.
 Amazon.com Inc., 2014, "The Original Bar-Be Quick Build in Grill & Bake + Free pack of Beechwood smoking chips", amazon.co.uk, [online], Available from <https://www.amazon.co.uk/Original-Bar-Be-Quick-Build-Beechwood-smoking/dp/B00IGUPK4C> [Accessed Jul. 22, 2015].
 Non-Final Office Action for U.S. Appl. No. 14/906,526 dated Dec. 11, 2017.
 Non-Final Office Action for U.S. Appl. No. 29/539,822 dated Dec. 28, 2017.
 Non-Final Action mailed for U.S. Appl. No. 15/070,225 dated Feb. 23, 2018.

* cited by examiner

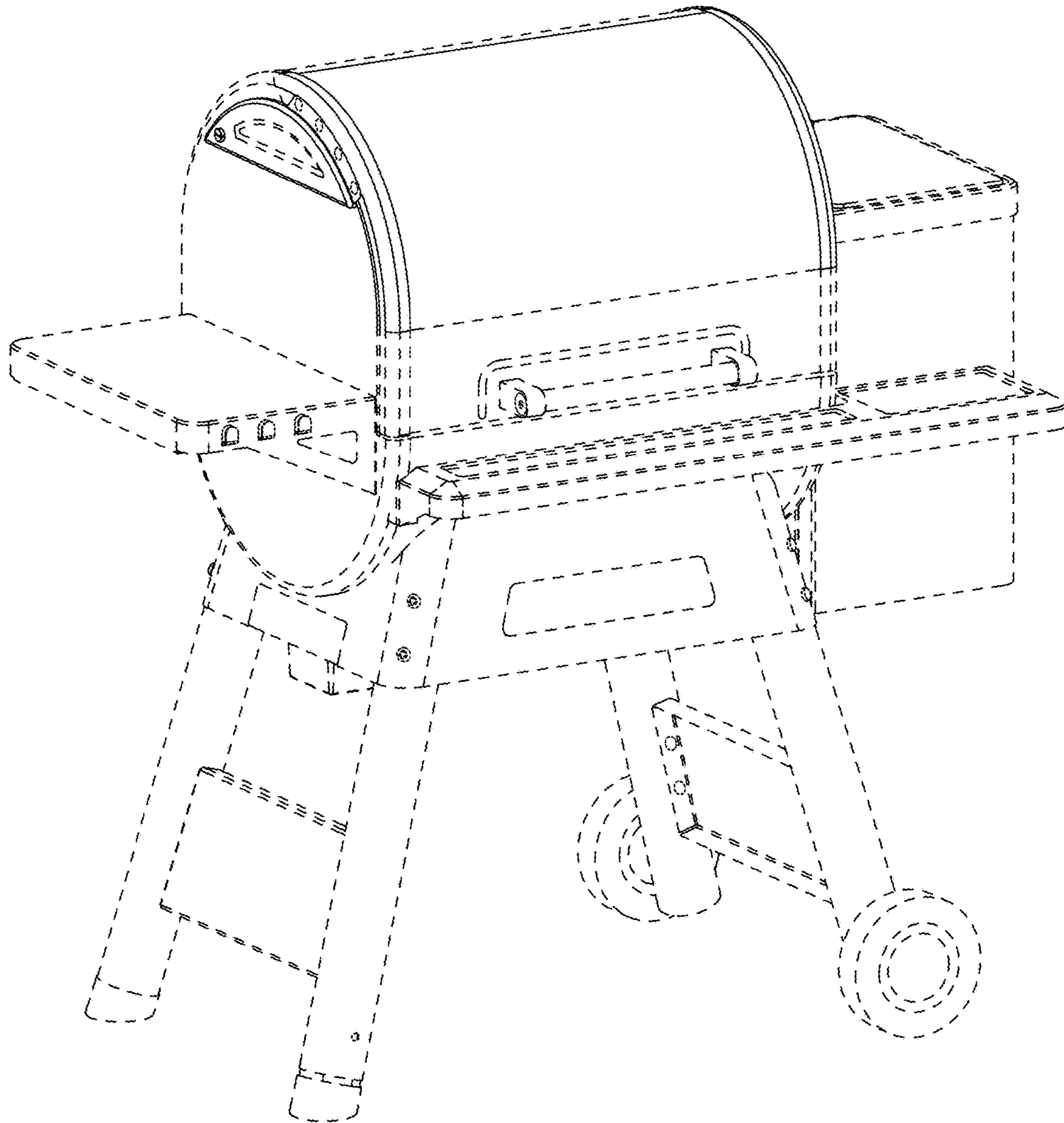


FIG. 1

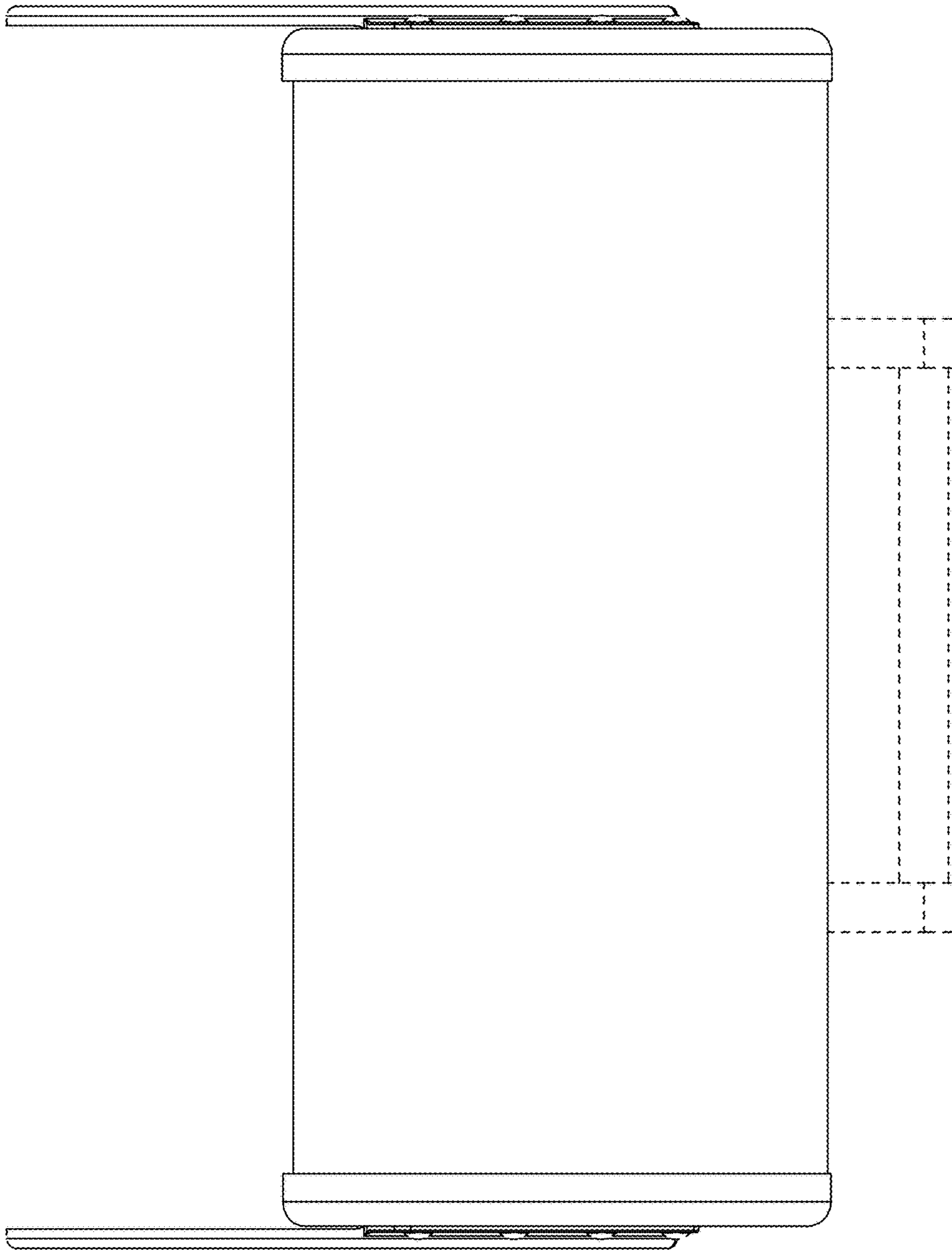


FIG. 2

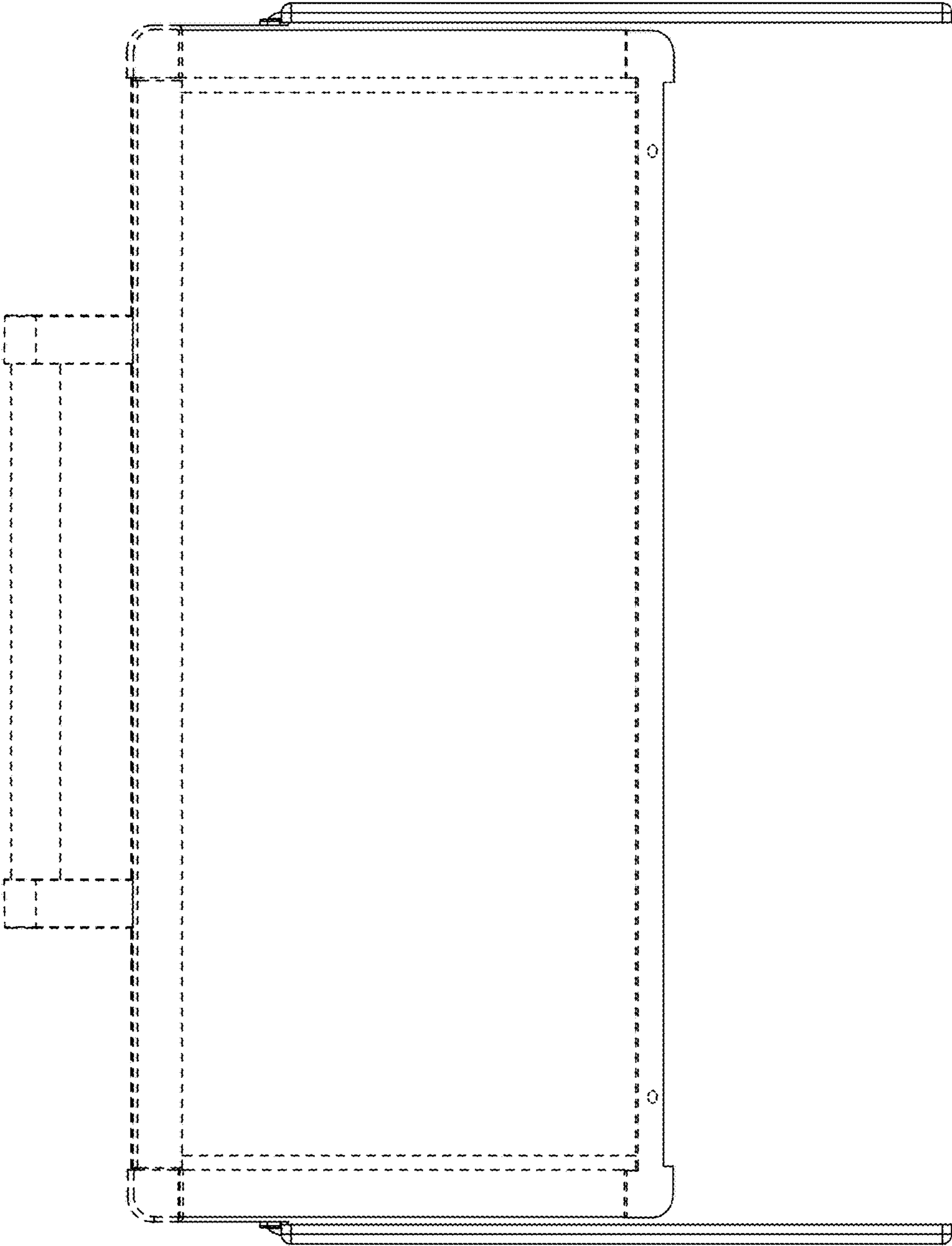


FIG. 3

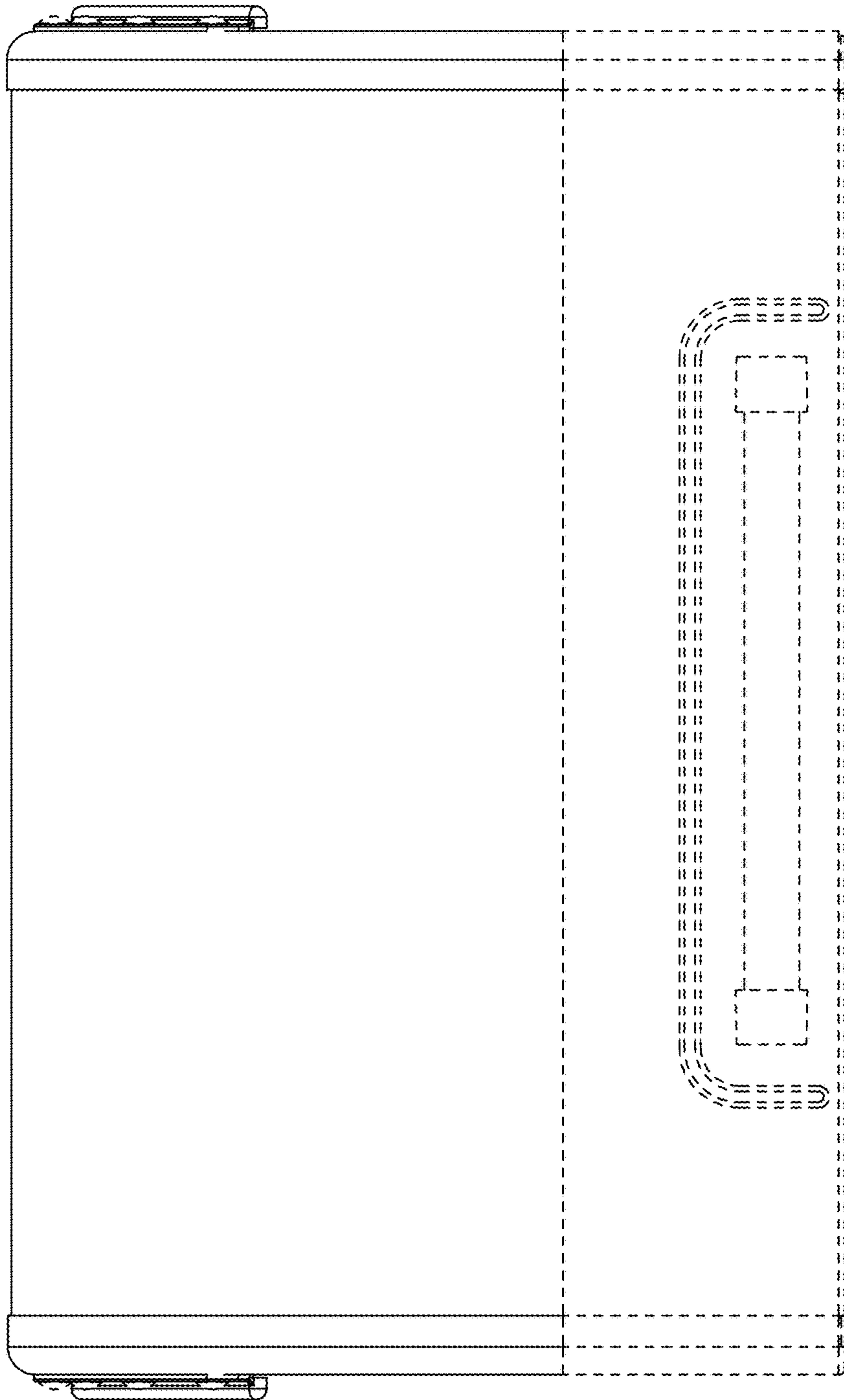


FIG. 4

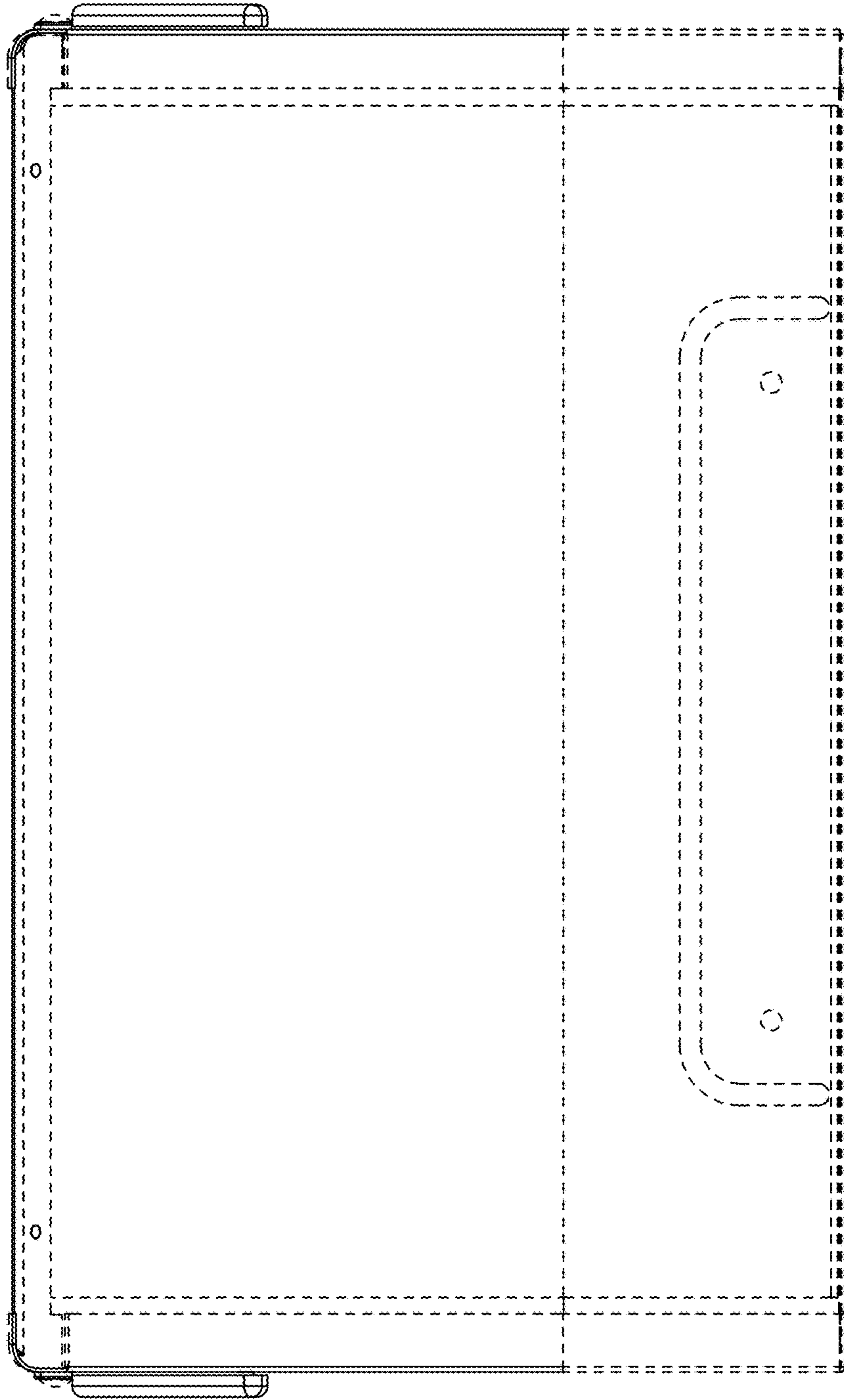


FIG. 5

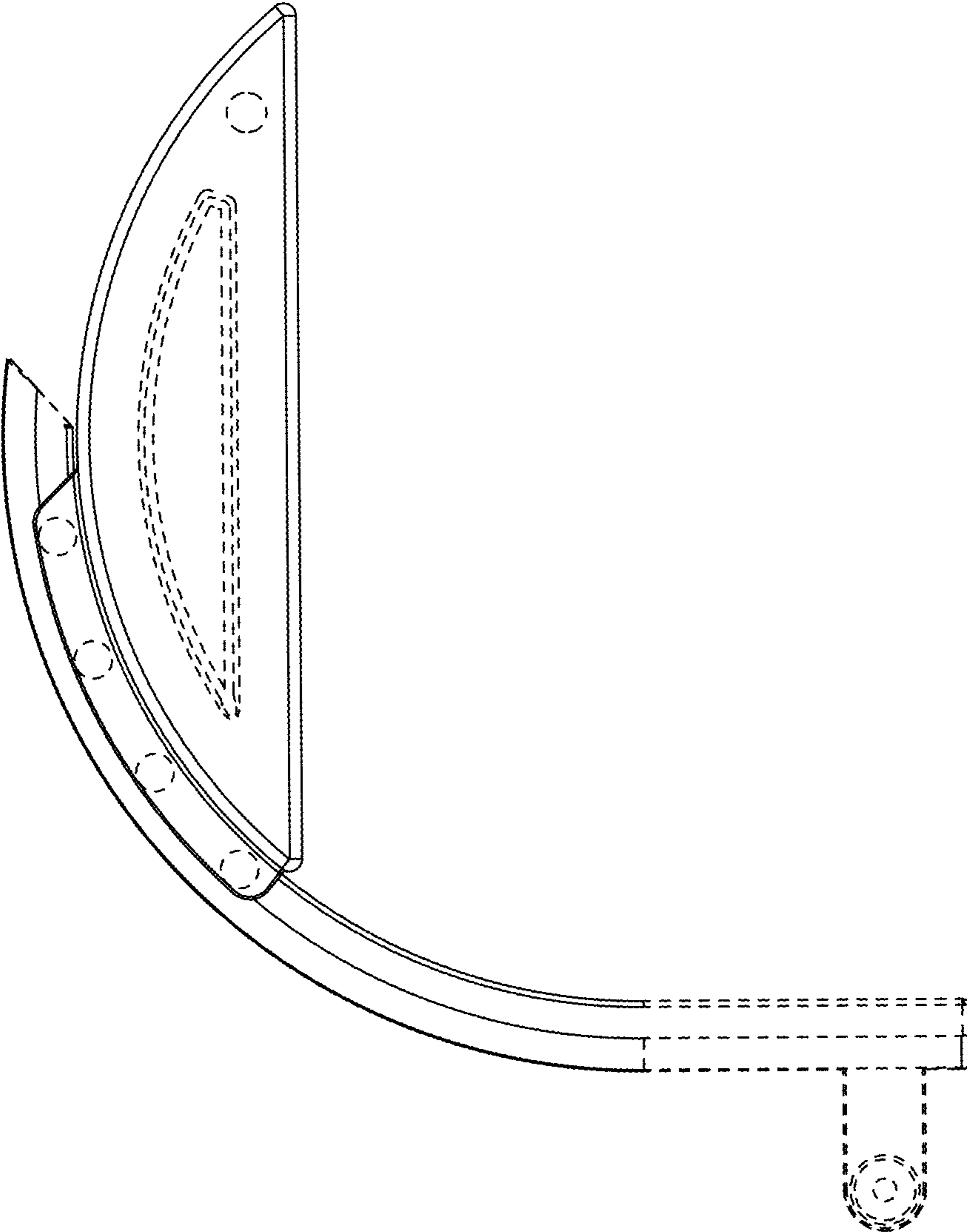


FIG. 6

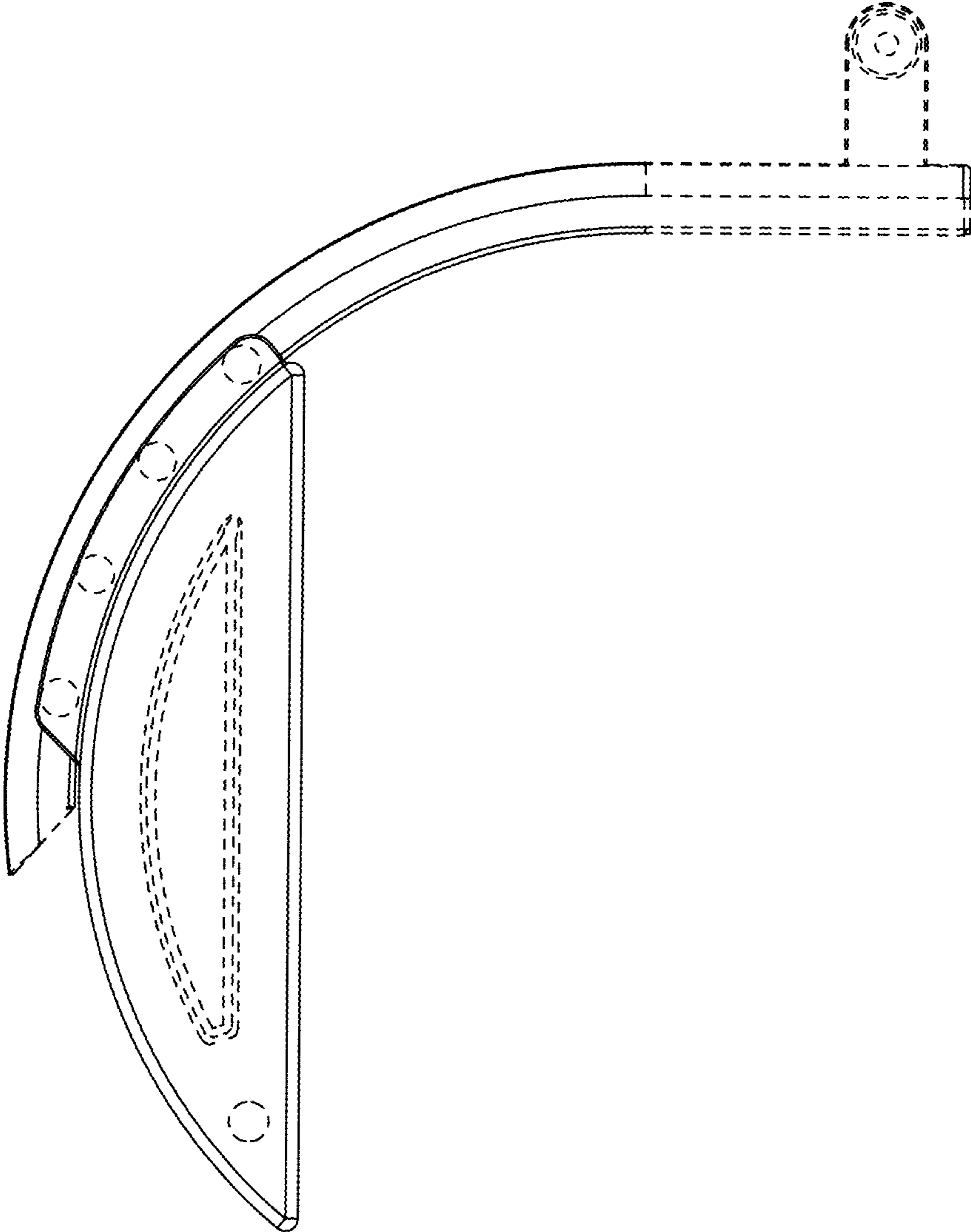


FIG. 7

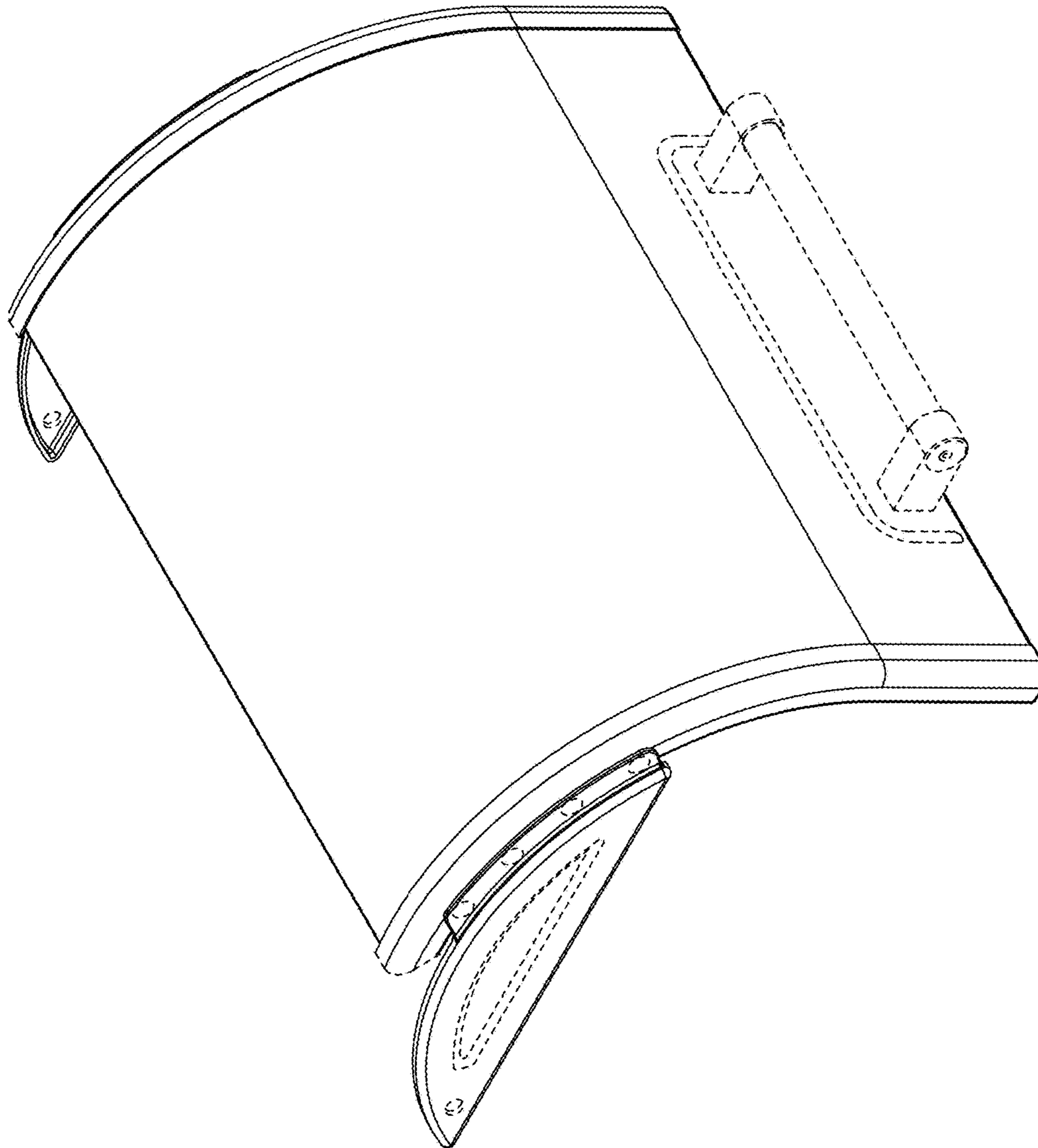


FIG. 8

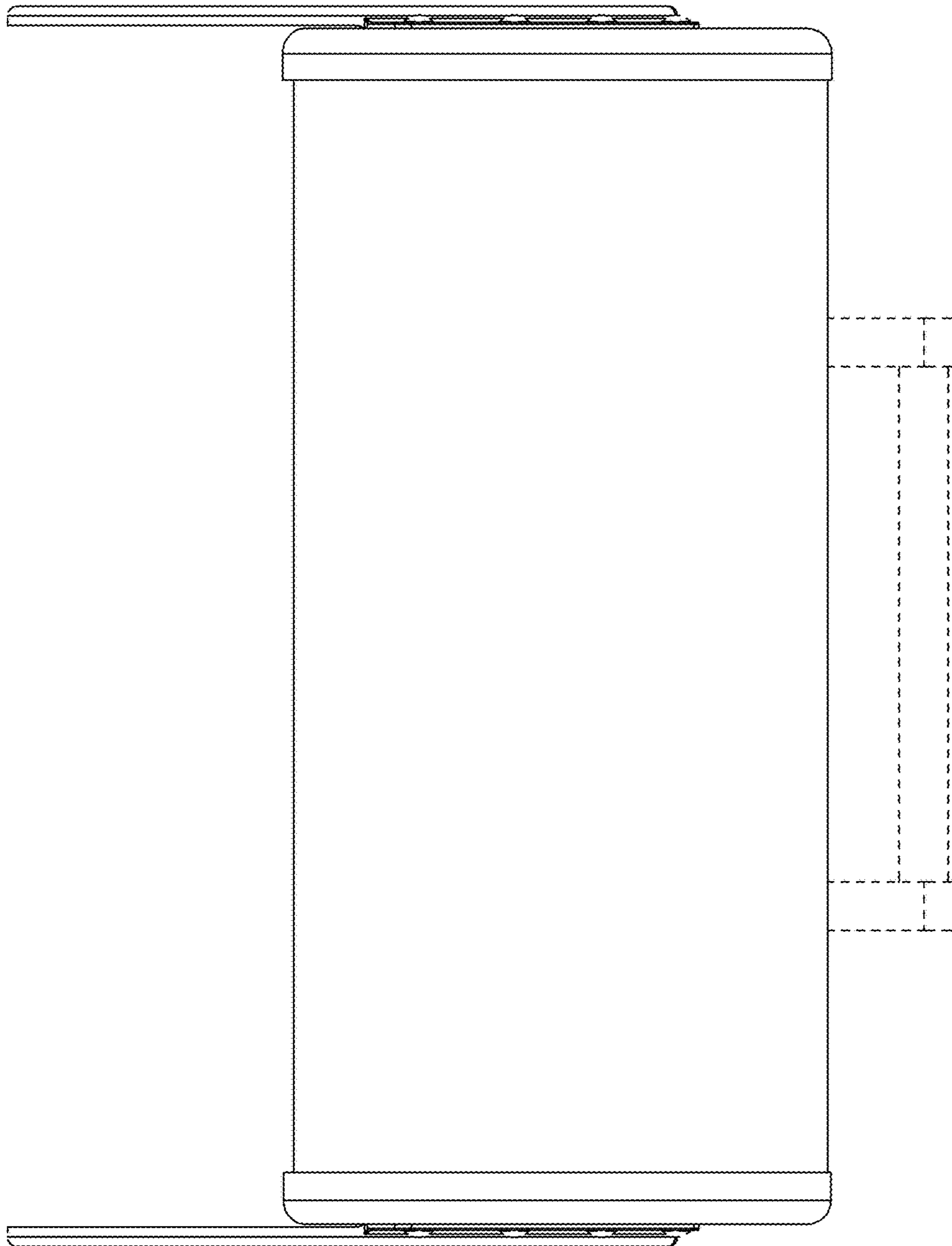


FIG. 9

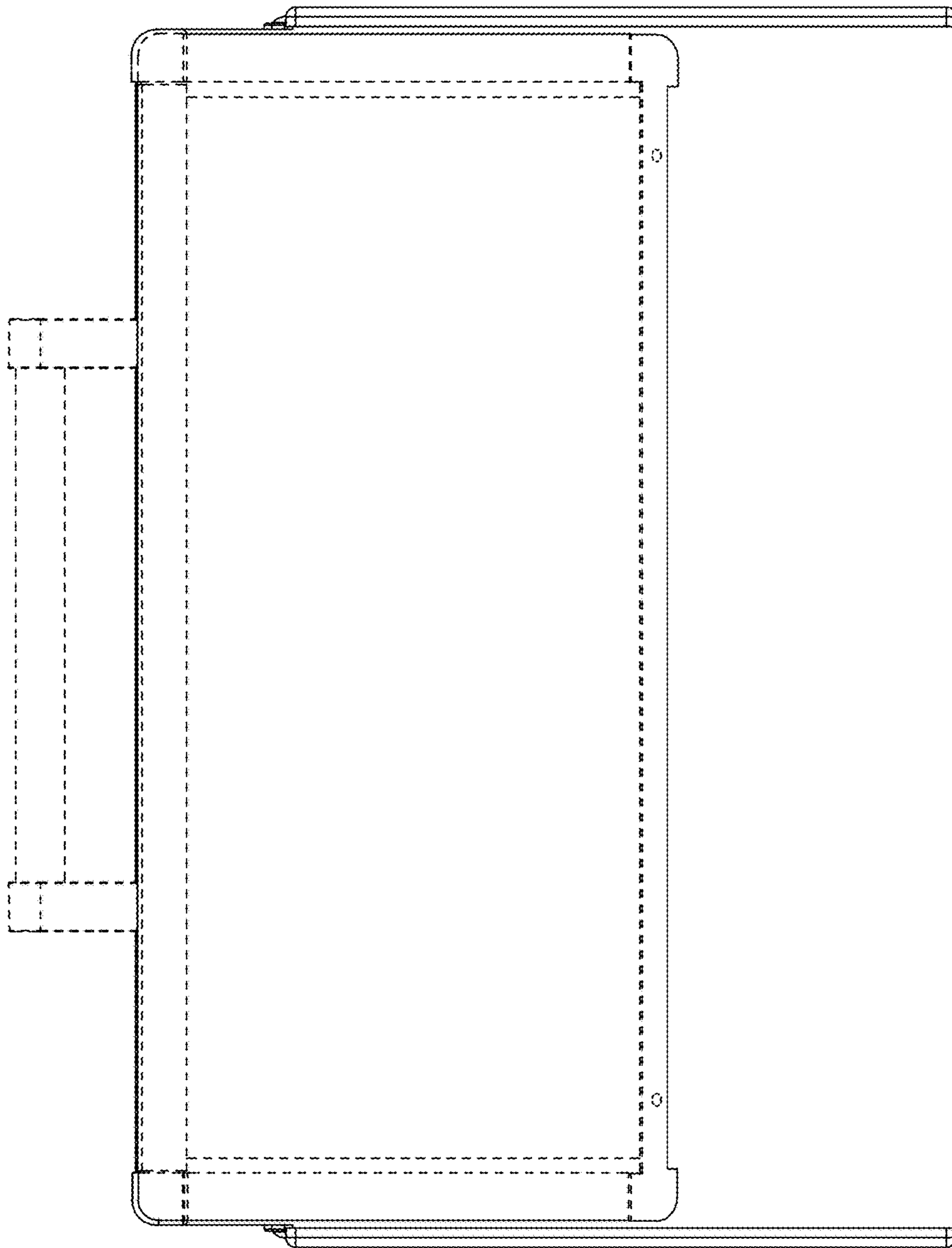


FIG. 10

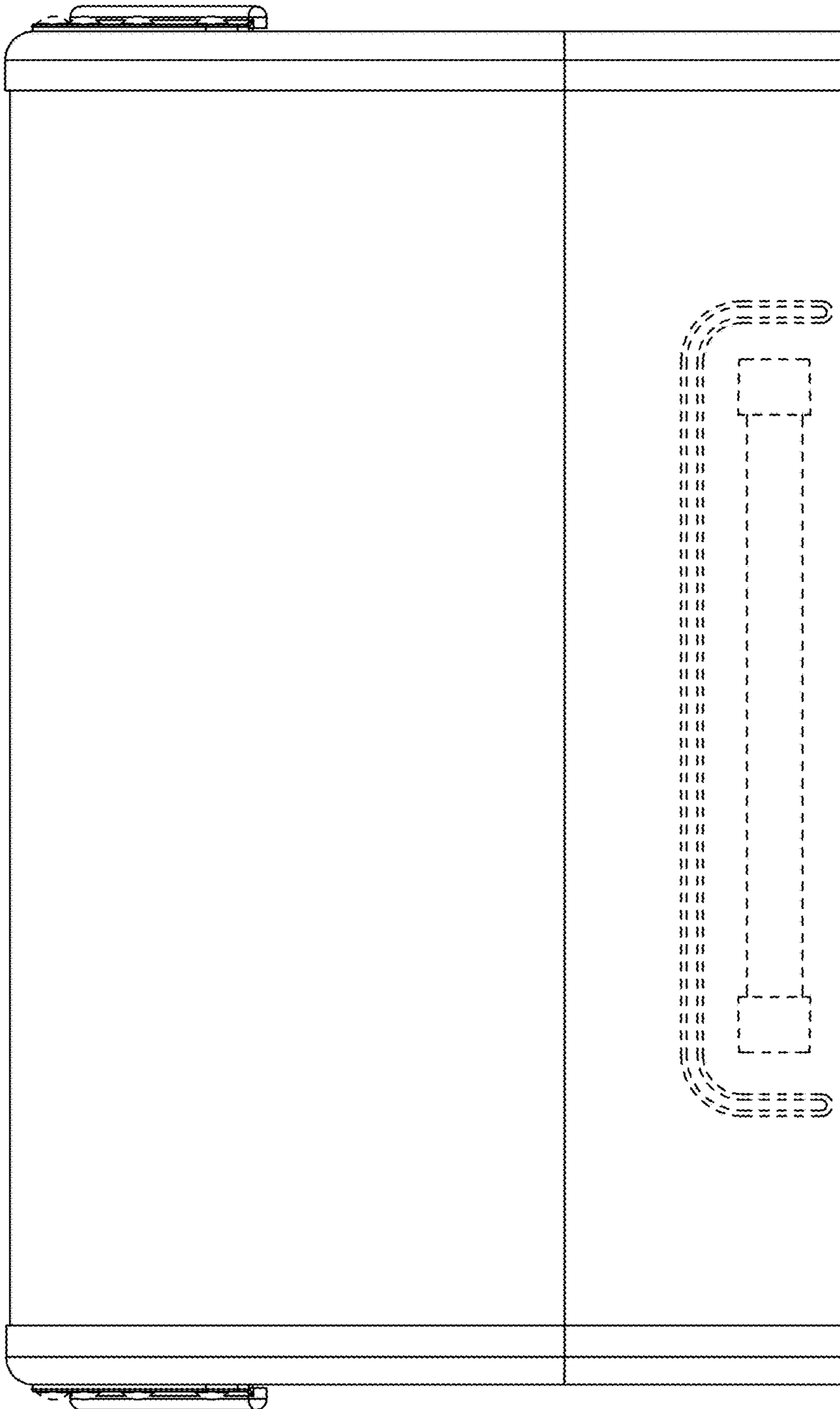


FIG. 11

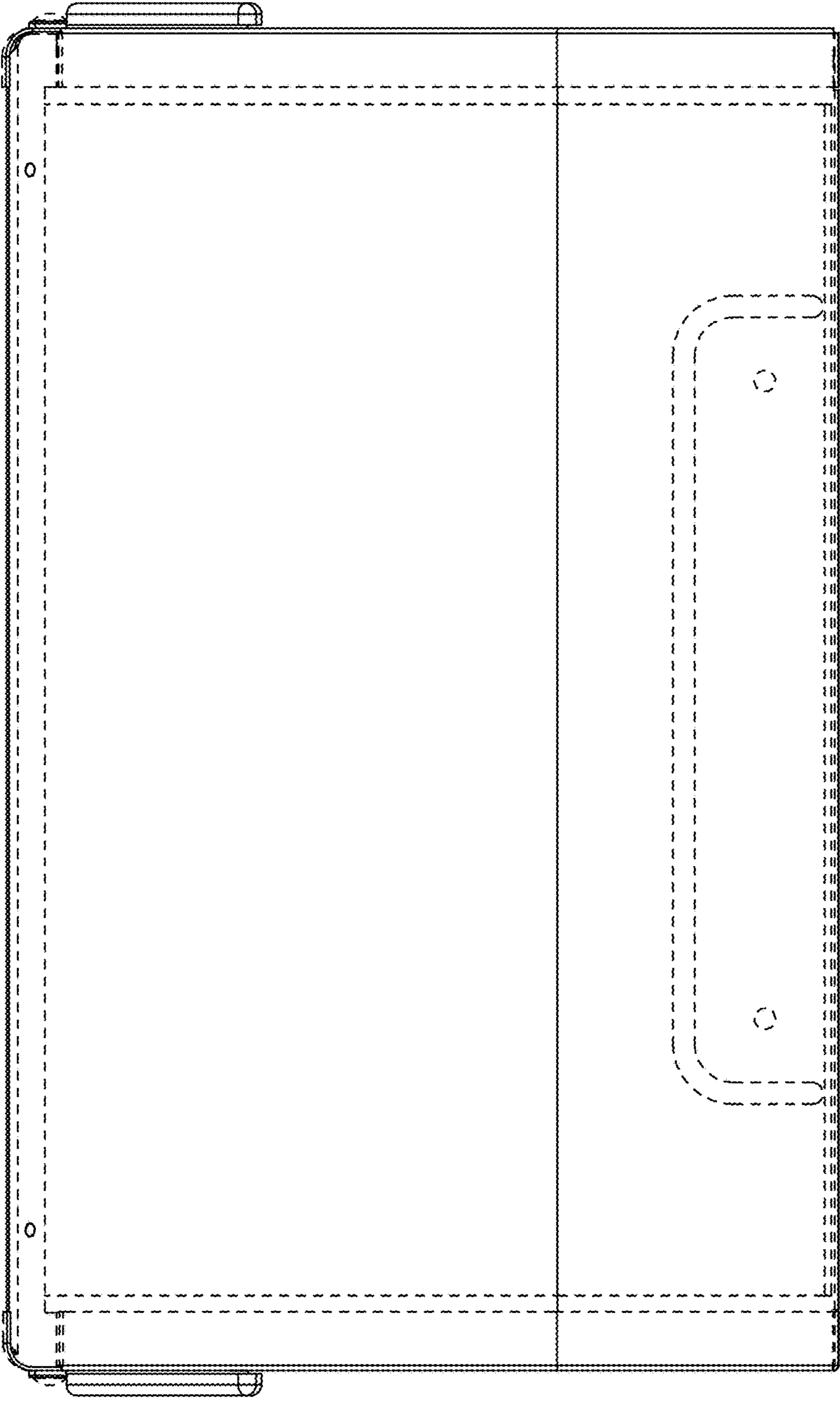


FIG. 12

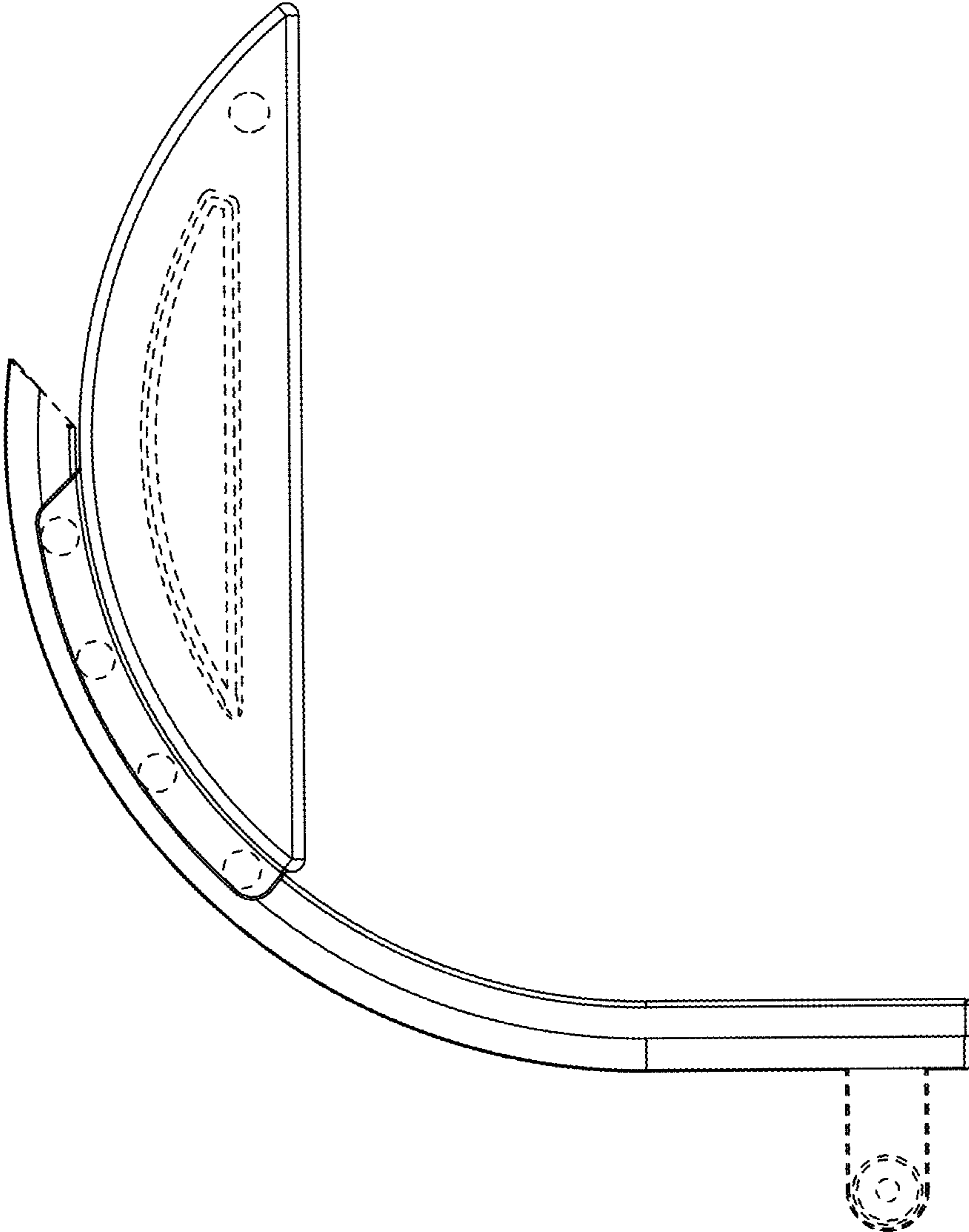


FIG. 13

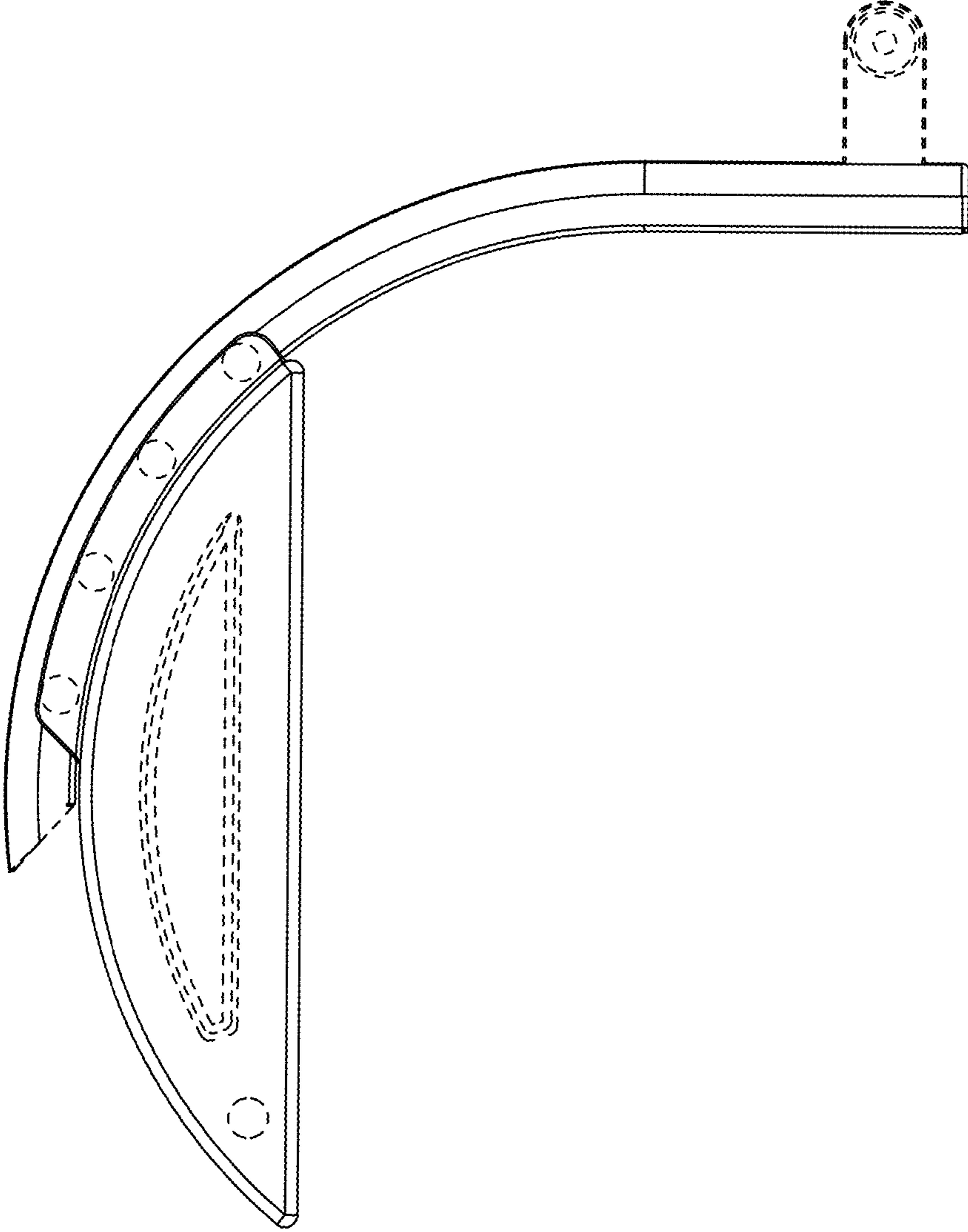


FIG. 14