



US00D825989S

(12) **United States Design Patent**
Siazon et al.

(10) **Patent No.:** **US D825,989 S**

(45) **Date of Patent:** **** Aug. 21, 2018**

(54) **GRILL CART**

D636,217 S * 4/2011 Slater D7/334
D684,416 S * 6/2013 Keiser D7/334
D748,423 S * 2/2016 Chiang D7/334

(71) Applicants: **Romualdo Sonny Siazon**, Woodstock, IL (US); **Eric Van Fossen**, Palatine, IL (US)

OTHER PUBLICATIONS

(72) Inventors: **Romualdo Sonny Siazon**, Woodstock, IL (US); **Eric Van Fossen**, Palatine, IL (US)

Spoga Impressions 2017, by Oliver Gawryluk, BigBBQ [online], published Sep. 4, 2017, [retrieved on Apr. 3, 2018]. Retrieved from the Internet, URL: <http://bigbbq.de/allgemein/spoga-impressionen-2017-grill-neuheiten-2018/>.*

(73) Assignee: **Weber-Stephen Products LLC**, Palatine, IL (US)

* cited by examiner

(**) Term: **15 Years**

Primary Examiner — Sheryl Lane

Assistant Examiner — Nicole C Shiflet

(21) Appl. No.: **29/599,605**

(74) *Attorney, Agent, or Firm* — Vitale, Vickrey, Niro & Gasey LLP

(22) Filed: **Apr. 5, 2017**

(57) **CLAIM**

(51) **LOC (11) Cl.** **07-02**

The ornamental design for a grill cart, as shown and described.

(52) **U.S. Cl.**

USPC **D7/403**

DESCRIPTION

(58) **Field of Classification Search**

USPC D7/402–409, 332–337, 323
CPC A47J 37/07; A47J 37/0704; A47J 37/0763
See application file for complete search history.

FIG. 1 is a right front perspective view of a grill cart of the present invention;

FIG. 2 is a top view of the grill cart of the present invention;

FIG. 3 is a front view of the grill cart of the present invention;

FIG. 4 is a left side view of the grill cart of the present invention;

FIG. 5 is a right side view of the grill cart of the present invention; and,

FIG. 6 is a rear view of the grill cart of the present invention. The broken lines showing portions of the article form no part of the claimed design.

(56) **References Cited**

U.S. PATENT DOCUMENTS

D151,344 S * 10/1948 Hathaway D7/332
D268,391 S * 3/1983 Craco D7/332
D326,207 S * 5/1992 Koziol D7/332
D437,177 S * 2/2001 Giebel D7/334
D454,031 S * 3/2002 Crookshanks D7/402
D466,367 S * 12/2002 Johnson D7/402
D571,603 S * 6/2008 Chung D7/334
D618,036 S * 6/2010 Chung D7/334

1 Claim, 5 Drawing Sheets

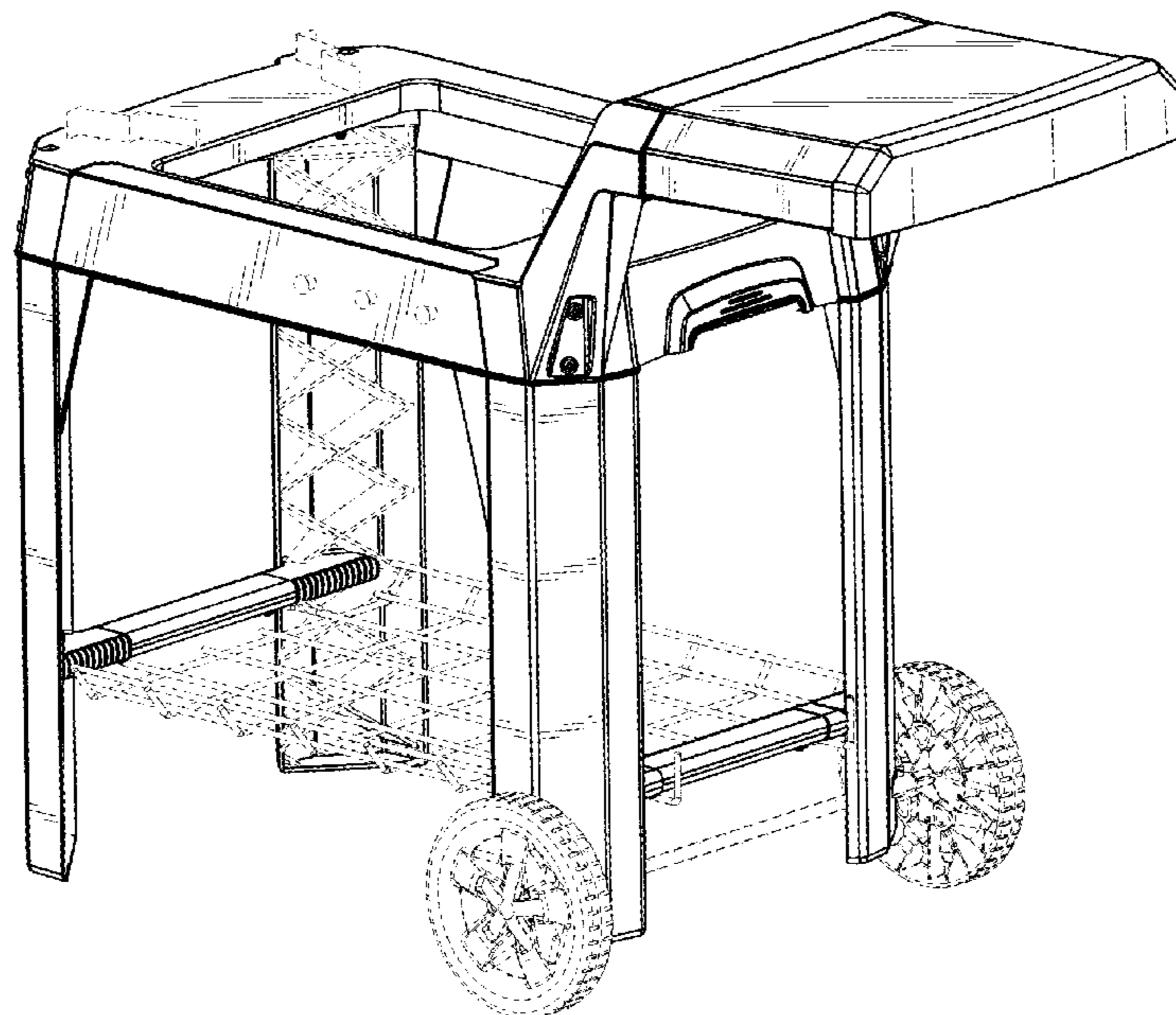


Fig. 1

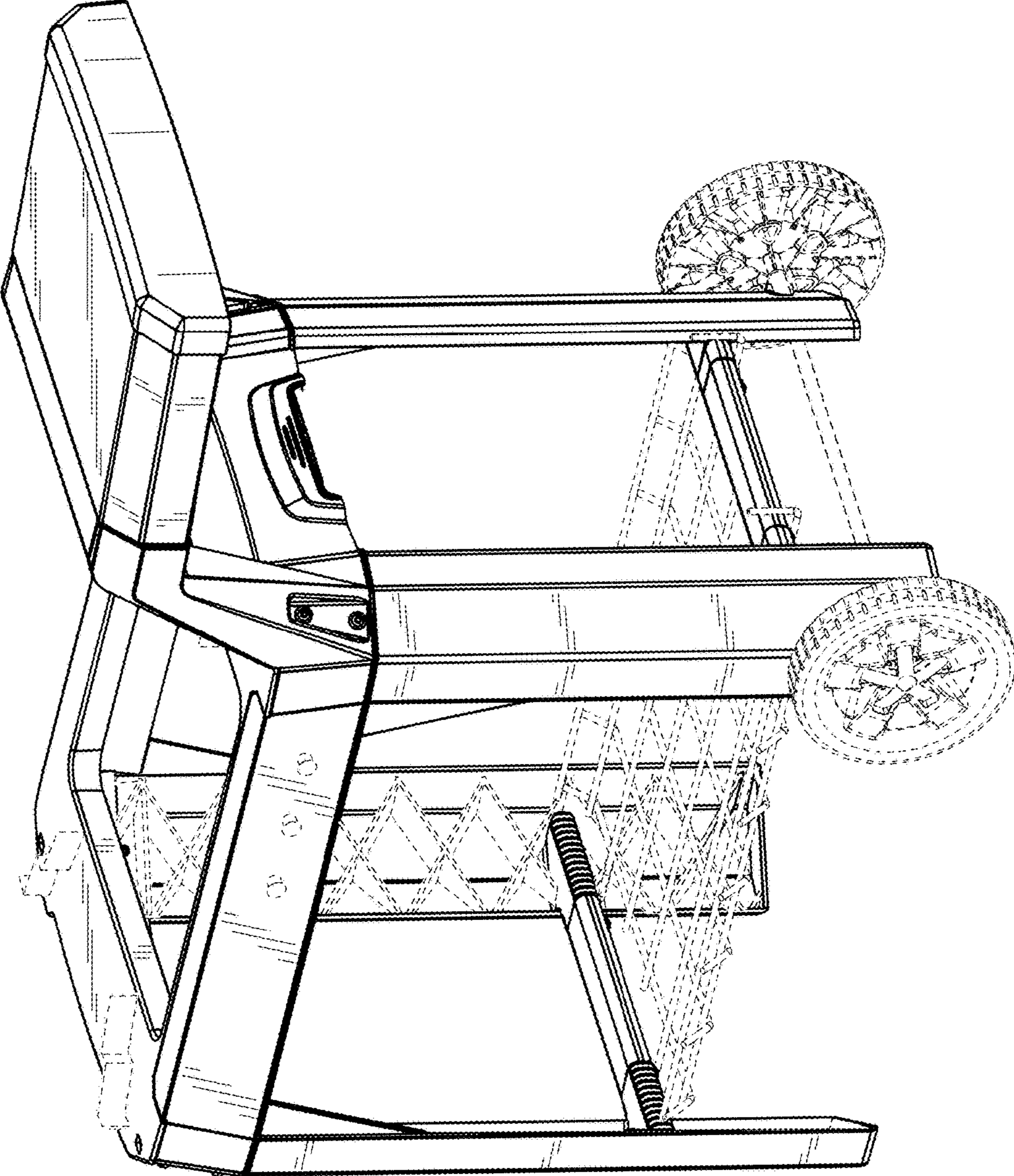


Fig. 2

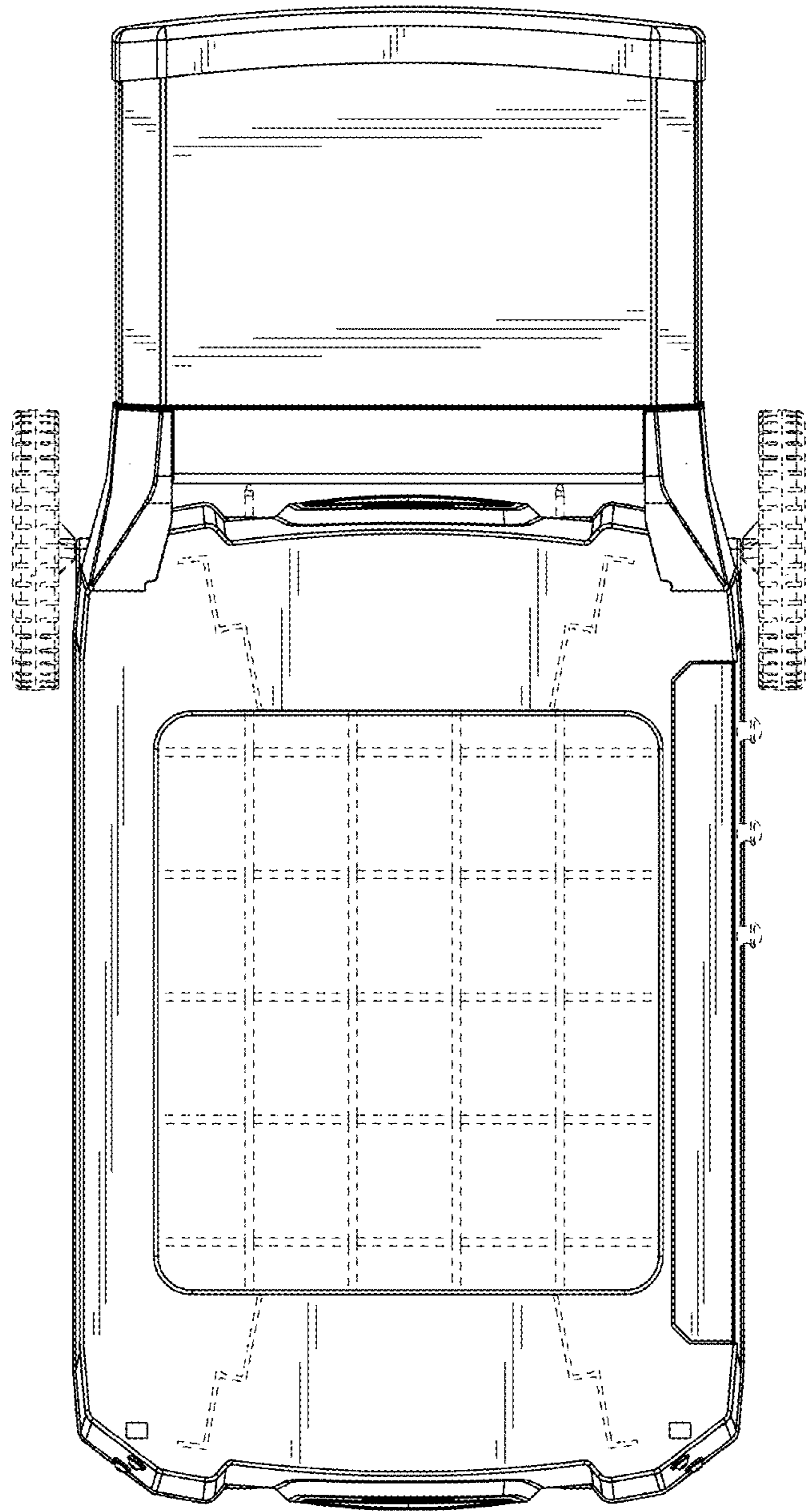


Fig. 3

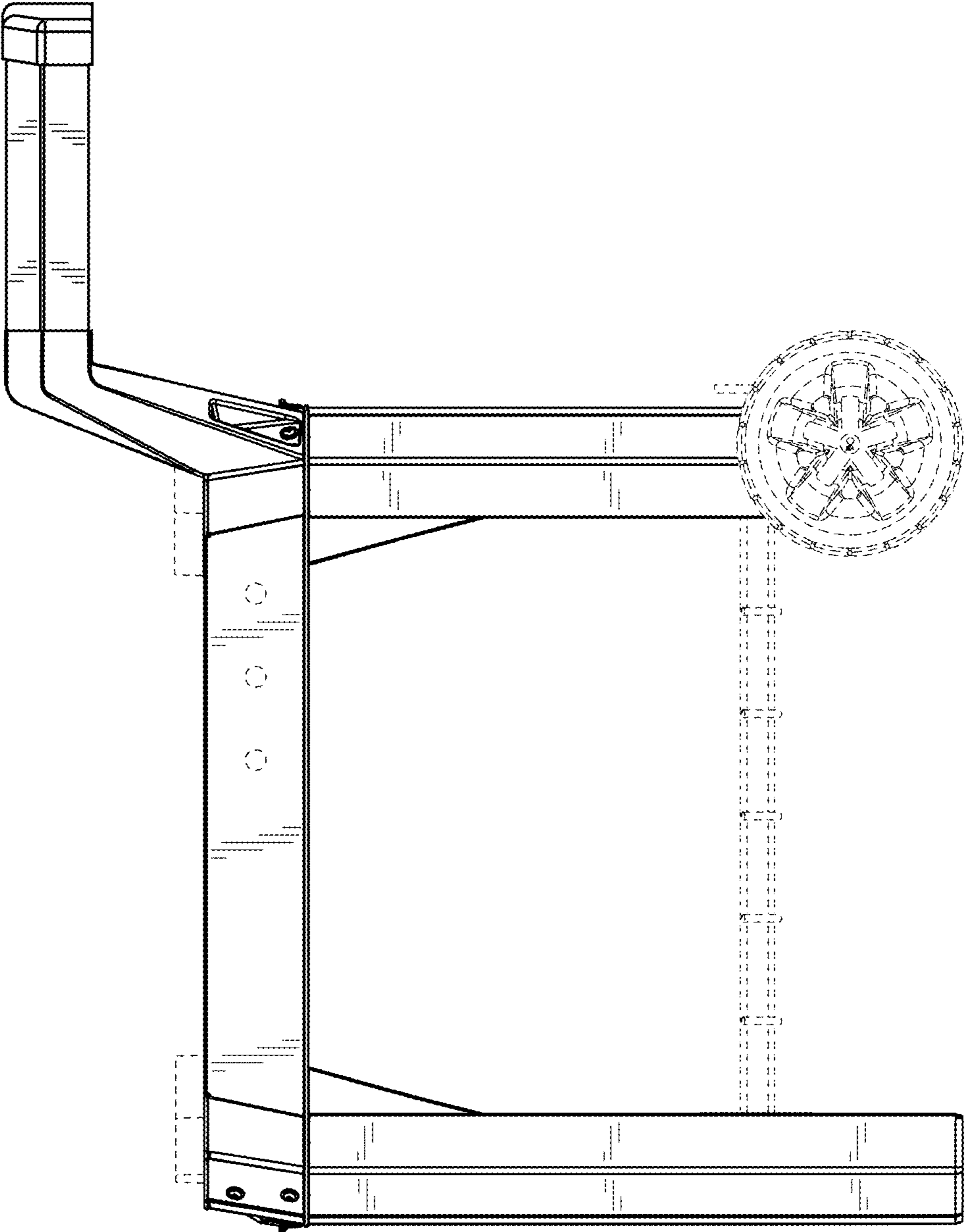


Fig. 5

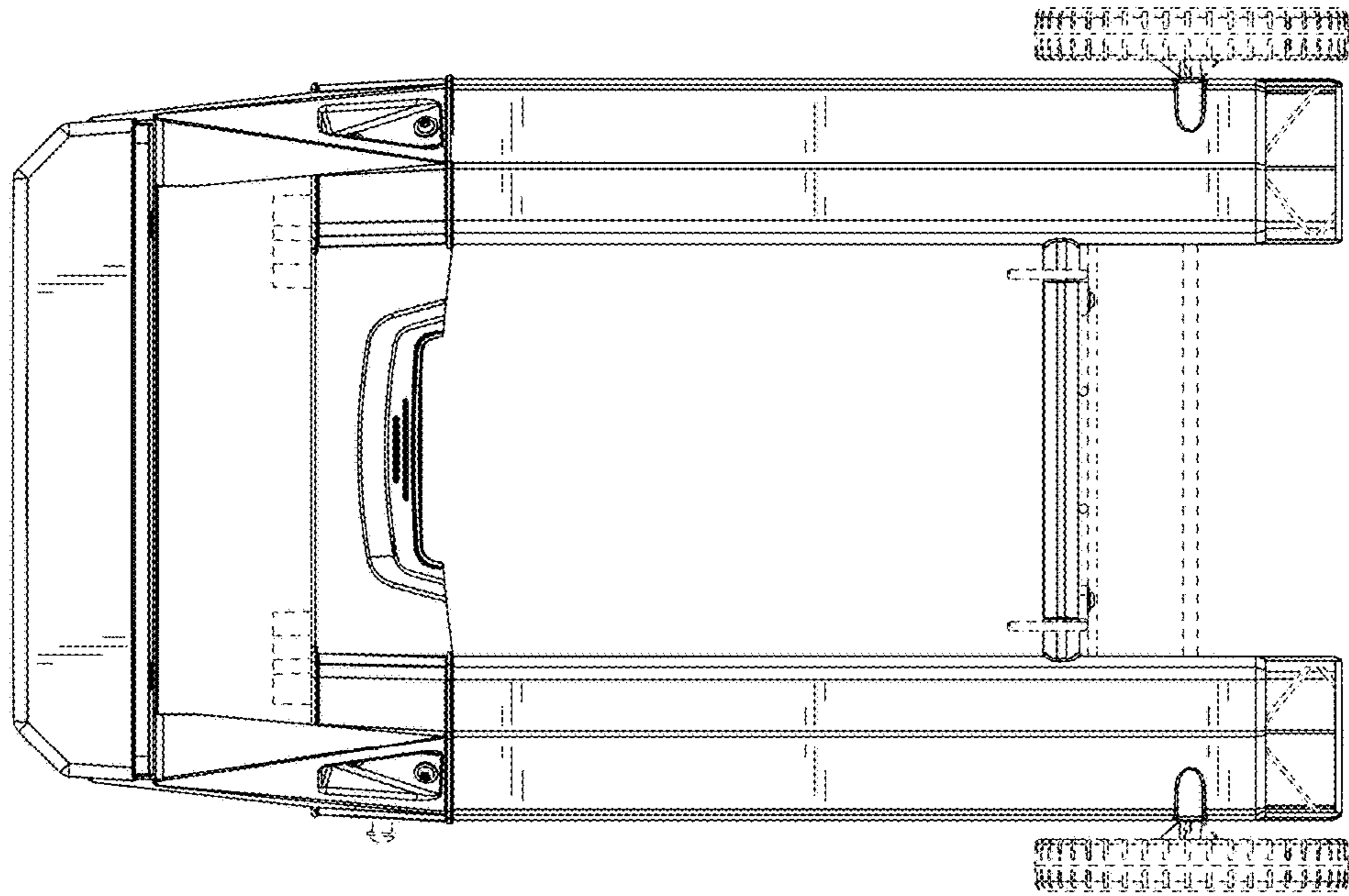


Fig. 4

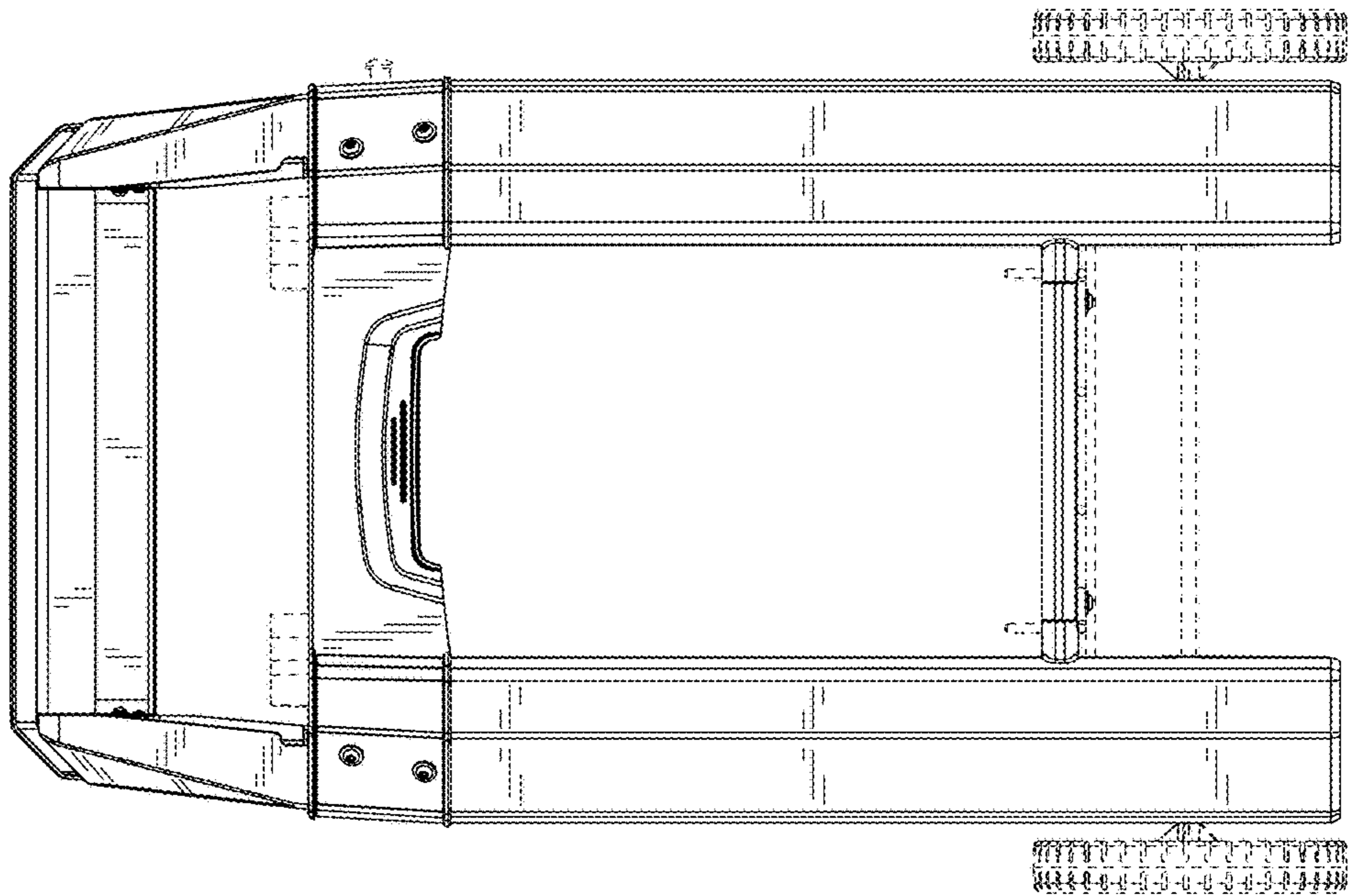


Fig. 6

