



US00D825987S

(12) **United States Design Patent**
Min

(10) **Patent No.:** **US D825,987 S**

(45) **Date of Patent:** **** Aug. 21, 2018**

(54) **WINE AERATOR**

(71) Applicant: **Byung Eun Min**, Seoul (KR)

(72) Inventor: **Byung Eun Min**, Seoul (KR)

(**) Term: **15 Years**

(21) Appl. No.: **29/557,377**

(22) Filed: **Mar. 8, 2016**

(51) **LOC (11) Cl.** **07-01**

(52) **U.S. Cl.**

USPC **D7/398**; D7/397; D7/700; D9/440

(58) **Field of Classification Search**

USPC D7/400, 399, 397, 213, 387, 398, 392.2,
D7/700, 315, 396.2; D9/440, 439;
99/323.1, 275, 277.1; 261/76, 110, 30;
222/190, 450

CPC A47G 19/2205; B01F 3/04262; B01F
3/04794

See application file for complete search history.

(56) **References Cited**

U.S. PATENT DOCUMENTS

- 2,642,207 A * 6/1953 Renzi B65D 47/06
215/309
- 3,966,099 A * 6/1976 Sanford, Jr. B67D 3/00
222/478
- 6,568,660 B1 * 5/2003 Flanbaum B65D 47/06
222/189.07
- D614,443 S * 4/2010 Federighi D7/397
- D624,358 S * 9/2010 Maufette D7/387
- D652,251 S * 1/2012 Goralski D7/213
- D663,172 S * 7/2012 Huynh D7/397
- 8,245,882 B1 * 8/2012 Federighi B01F 3/04503
222/190
- 8,251,352 B2 * 8/2012 Chiorazzi B01F 3/0446
222/190
- 8,365,964 B2 * 2/2013 Federighi B01F 3/0446
222/190

- D677,524 S * 3/2013 Agarwal D7/397
- D677,525 S * 3/2013 Luebke D7/397
- 8,556,136 B2 * 10/2013 Huynh B65D 25/48
222/477
- 8,561,970 B1 * 10/2013 Mills B01F 13/002
261/124
- D702,493 S * 4/2014 Tang D7/397
- D719,402 S * 12/2014 Khan D7/397
- D720,959 S * 1/2015 Mok D7/392
- D724,892 S * 3/2015 Gonzalez-Quiros D24/224
- D729,592 S * 5/2015 Alavian D7/665
- 9,033,187 B2 * 5/2015 Luebke B01F 3/0446
222/190

(Continued)

FOREIGN PATENT DOCUMENTS

- CN 2012 3 0327975.7 7/2012
- CN 302162427 S 11/2012

Primary Examiner — Marianne Pandozzi

(74) *Attorney, Agent, or Firm* — Innovation Counsel LLP

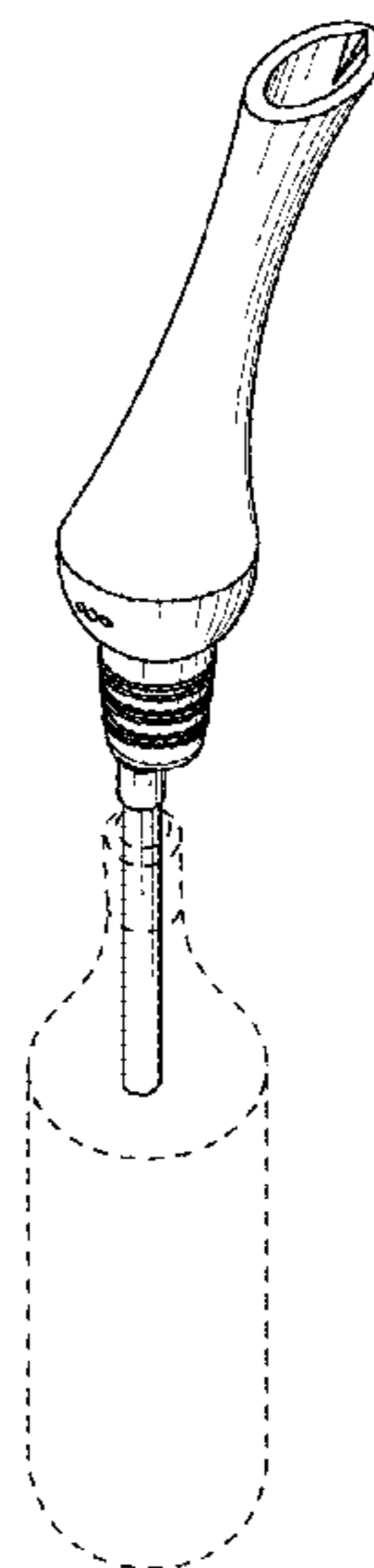
(57) **CLAIM**

I claim the ornamental design for a wine aerator, substantially as shown and described.

DESCRIPTION

FIG. 1 is a perspective view of a wine aerator showing my new design;
 FIG. 2 is a front view of the wine aerator shown in FIG. 1;
 FIG. 3 is a back view of the wine aerator shown in FIG. 1;
 FIG. 4 is a left side view of the wine aerator shown in FIG. 1;
 FIG. 5 is a right side view of the wine aerator shown in FIG. 1;
 FIG. 6 is a top view of the wine aerator shown in FIG. 1; and,
 FIG. 7 is a bottom view of the wine aerator shown in FIG. 1.

1 Claim, 3 Drawing Sheets



(56)

References Cited

U.S. PATENT DOCUMENTS

2011/0024461 A1* 2/2011 Kilduff B01F 3/0473
222/190
2015/0037479 A1* 2/2015 Lincoln B01F 3/04787
426/474

* cited by examiner

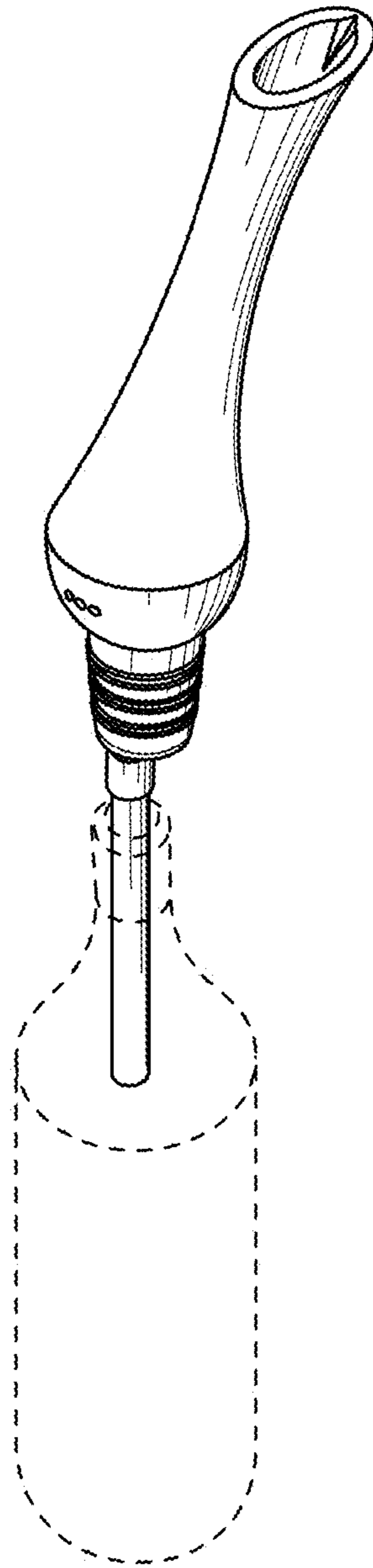


FIG. 1

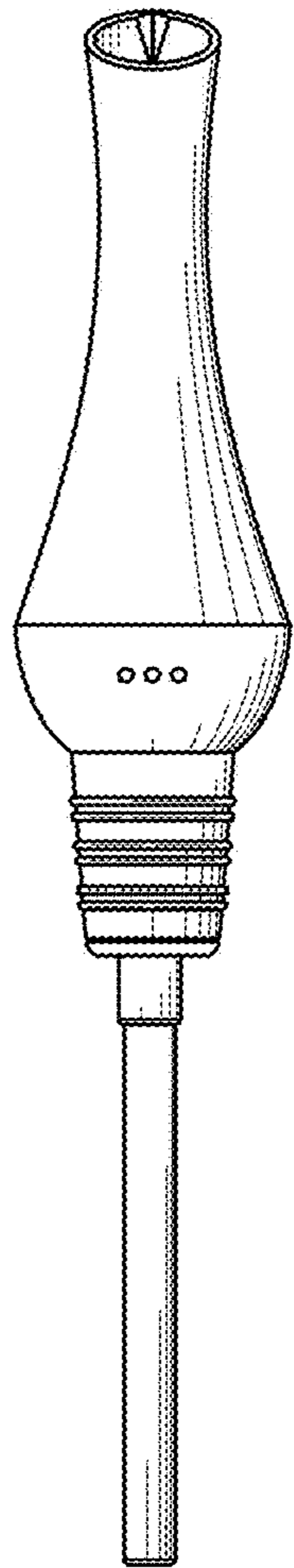


FIG. 2

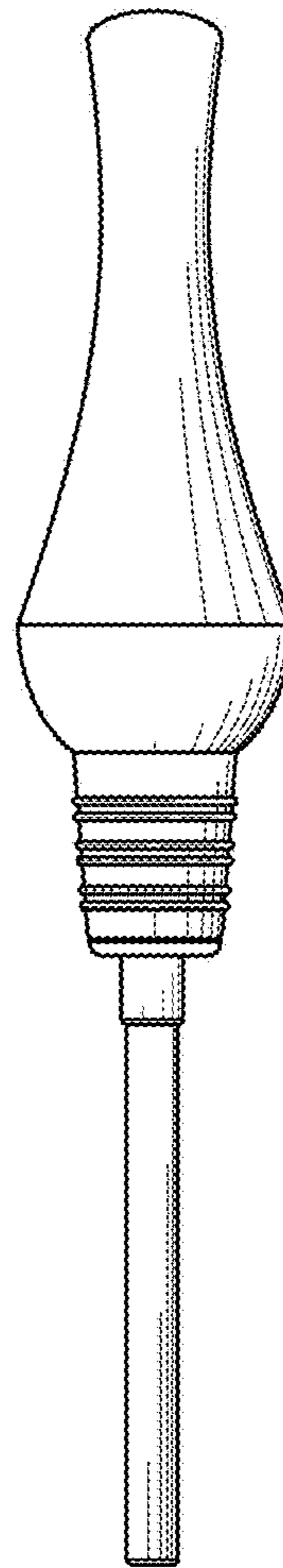


FIG. 3

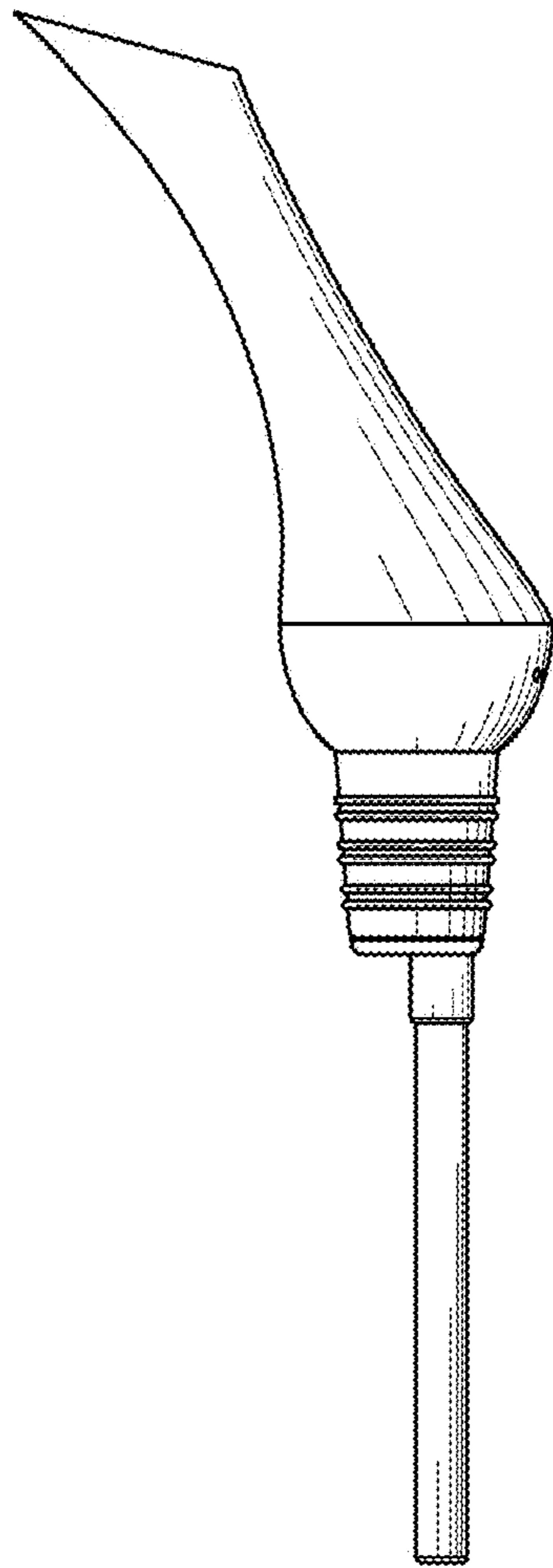


FIG. 4

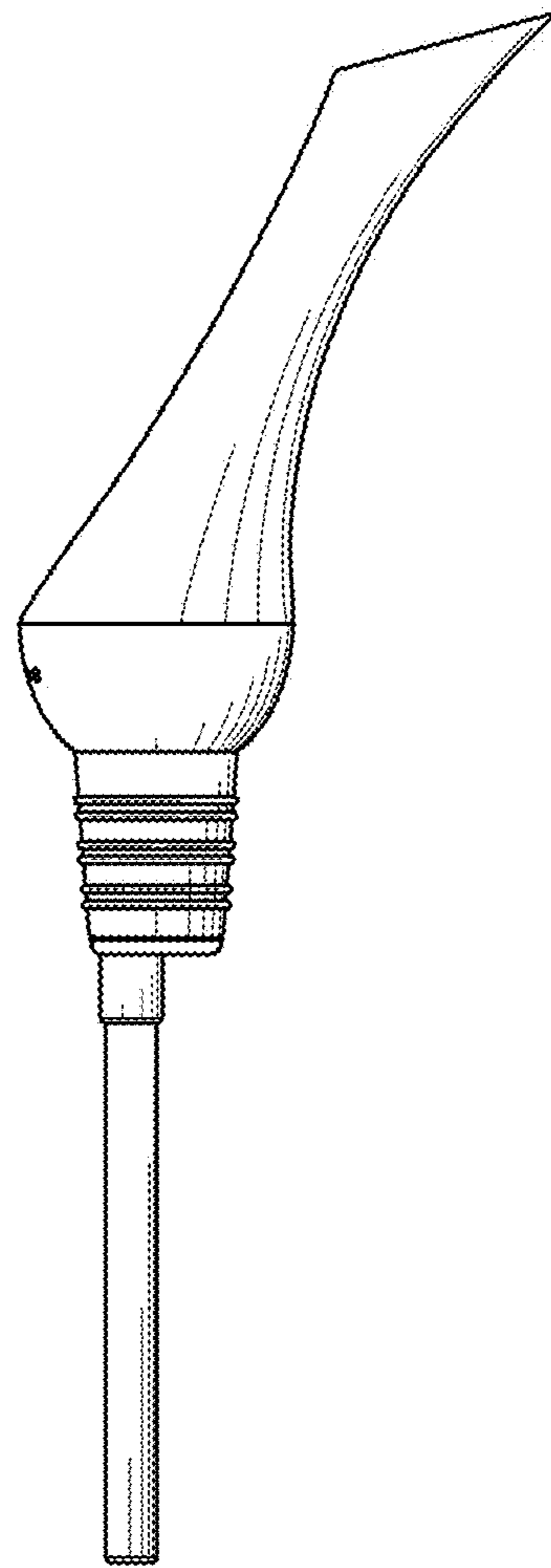


FIG. 5

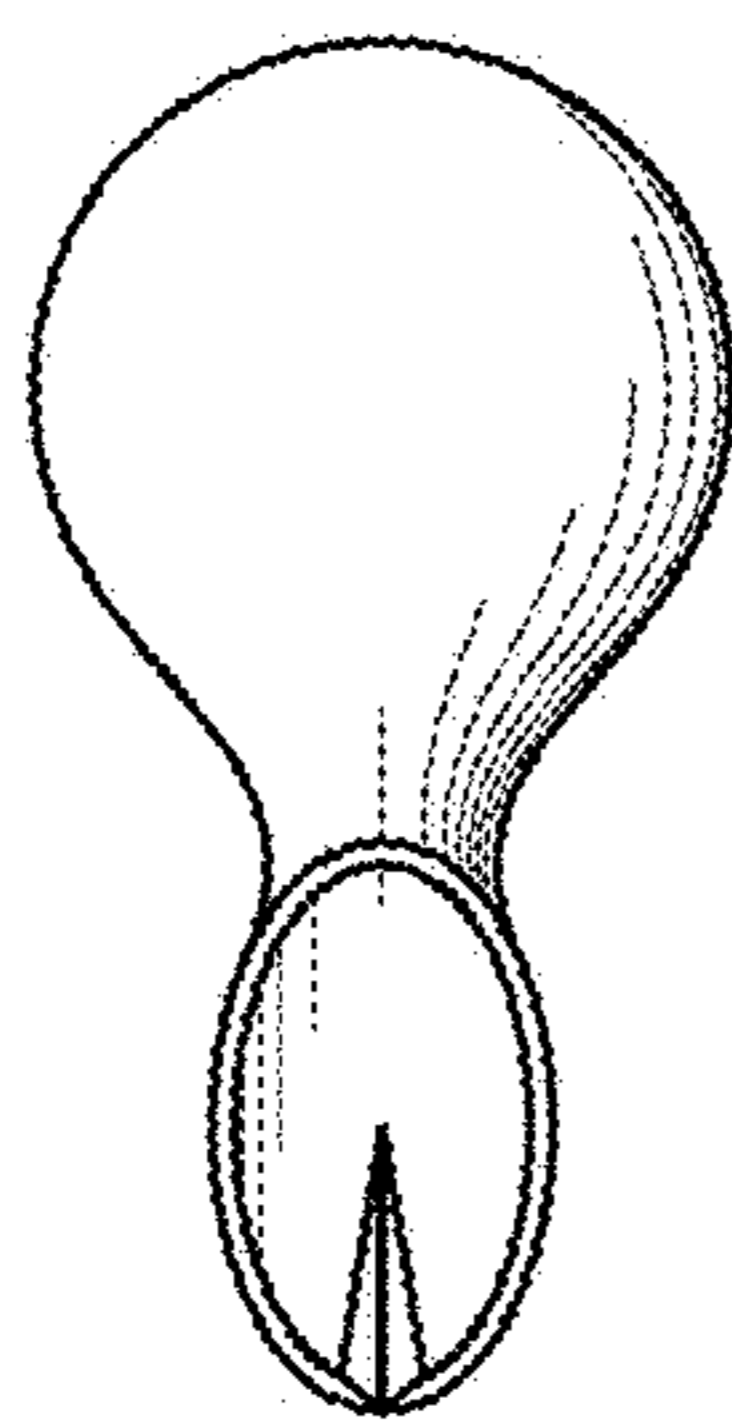


FIG. 6

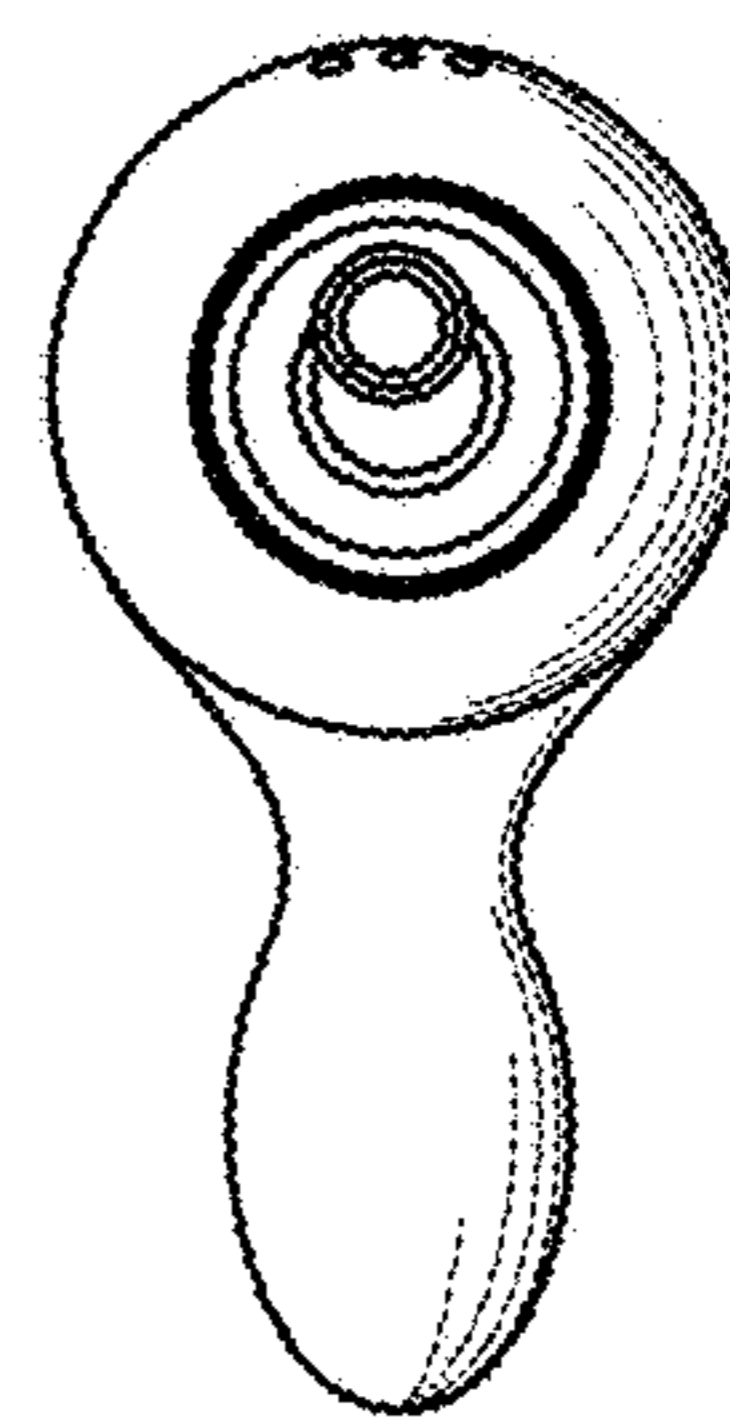


FIG. 7