



US00D825986S

(12) **United States Design Patent**
Lee et al.

(10) **Patent No.:** **US D825,986 S**
(45) **Date of Patent:** **** Aug. 21, 2018**

- (54) **COOKWARE LID VENT**
- (71) Applicant: **Meyer Intellectual Properties Limited,**
Kowloon (HK)
- (72) Inventors: **Kwong Wah Lee,** Hong Kong (CN);
Kam Lun Lee, Hong Kong (CN)
- (73) Assignee: **Meyer Intellectual Properties Limited**
(VG)
- (**) Term: **15 Years**
- (21) Appl. No.: **29/594,372**
- (22) Filed: **Feb. 17, 2017**
- (51) **LOC (11) Cl.** **07-99**
- (52) **U.S. Cl.**
USPC **D7/393**
- (58) **Field of Classification Search**
USPC D7/391, 412, 413, 393; D3/273, 276,
D3/280, 282, 283, 284; D9/516, 558
CPC .. A47J 36/06; A47J 47/14; B65D 1/22; B65D
1/34; B65D 1/40; B65D 1/165; B65D
15/02; B65D 1/00; B65D 1/26
See application file for complete search history.

(56) **References Cited**

U.S. PATENT DOCUMENTS

D254,769 S *	4/1980	Boldt	D7/402
D285,644 S *	9/1986	Kitakaze	D7/358
D311,063 S *	10/1990	Stephenson	D24/197
D353,969 S *	1/1995	Savinell	D7/358
D382,769 S *	8/1997	Jeppesen	D7/391
D413,483 S *	9/1999	Roussard	D7/358
D414,651 S *	10/1999	Brunianyn	D7/391
D433,273 S *	11/2000	Roussard	D7/358
D447,908 S *	9/2001	Beck	D7/391
D453,661 S *	2/2002	Colletti	D7/358
D457,382 S *	5/2002	Coudurier	D7/391
D461,093 S *	8/2002	Martinez	D7/394

D533,396 S *	12/2006	Lipson	D7/392.1
D577,538 S *	9/2008	Suh	D7/393
D642,422 S *	8/2011	Averty	D7/354
D674,655 S *	1/2013	Chen	D7/354
D674,660 S *	1/2013	Chen	D7/354
D679,542 S *	4/2013	Lion	D7/391
D710,673 S *	8/2014	Boo	G05G 1/10 D8/311
D749,896 S *	2/2016	Pallotto	D7/354
D752,380 S *	3/2016	Kemker	D7/376
D773,917 S *	12/2016	Shoemaker	D8/311
D779,303 S *	2/2017	Shoemaker	D8/311
D786,651 S *	5/2017	Shoemaker	D8/311

(Continued)

Primary Examiner — Caron D Veynar

Assistant Examiner — Katrina N Gonzalez

(74) *Attorney, Agent, or Firm* — Edward S. Sherman

(57) **CLAIM**

The ornamental design for a cookware lid vent, as shown and described.

DESCRIPTION

FIG. 1 is a perspective view of the “cookware lid vent” in the closed position, showing my new design;
FIG. 2 is a perspective view thereof in the open and vented position;

FIG. 3 is a right side elevation view thereof in the closed position of FIG. 1; the left side elevation view being the mirror image thereof,

FIG. 4 is a top plan view thereof;

FIG. 5 is a bottom plan view thereof;

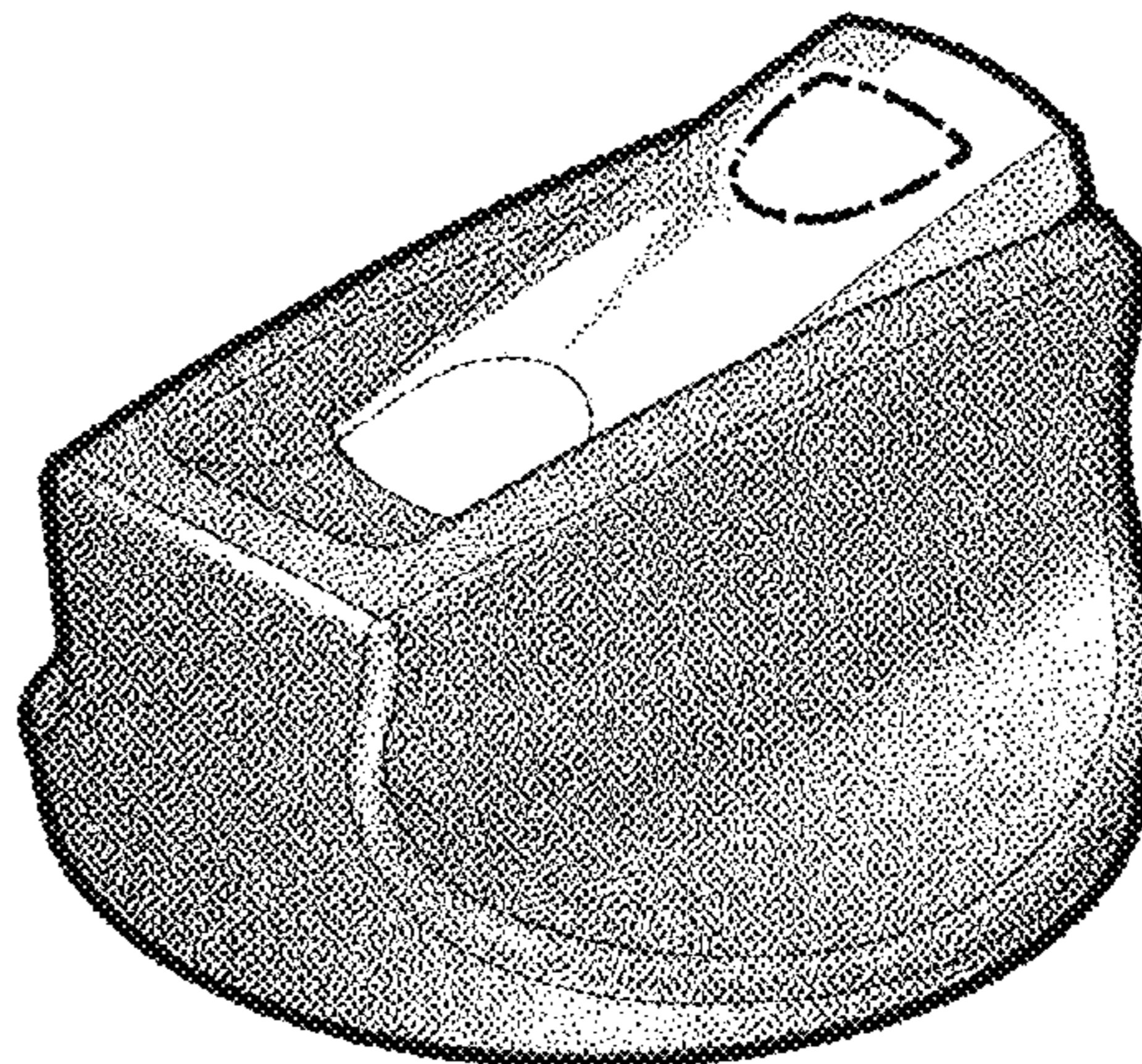
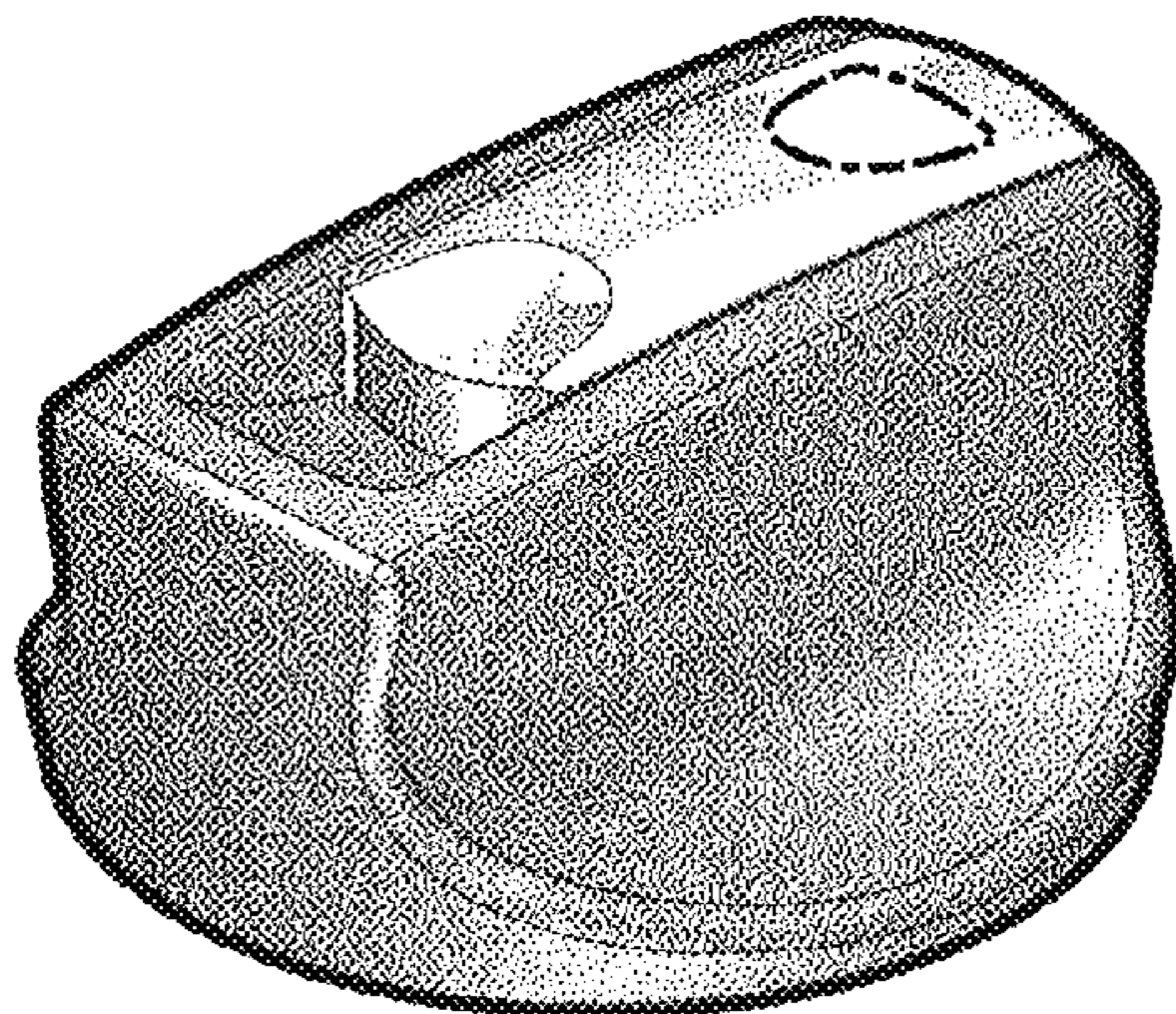
FIG. 6 is a back elevation view thereof;

FIG. 7 is a front elevation view thereof; and,

FIG. 8 is a front elevation view thereof in the open position of FIG. 2.

The dot-dash broken lines in FIGS. 1, 2, 4, 5, 7 and 8 are shown for the purpose of illustrating the boundaries of internal portions which form no part of the claimed design.

1 Claim, 4 Drawing Sheets



(56)

References Cited

U.S. PATENT DOCUMENTS

D791,567 S *	7/2017	Incukur	D8/311
D792,189 S *	7/2017	Incukur	D8/311
D807,118 S *	1/2018	Kettavong	D7/412
D808,767 S *	1/2018	Kim	D8/311

* cited by examiner

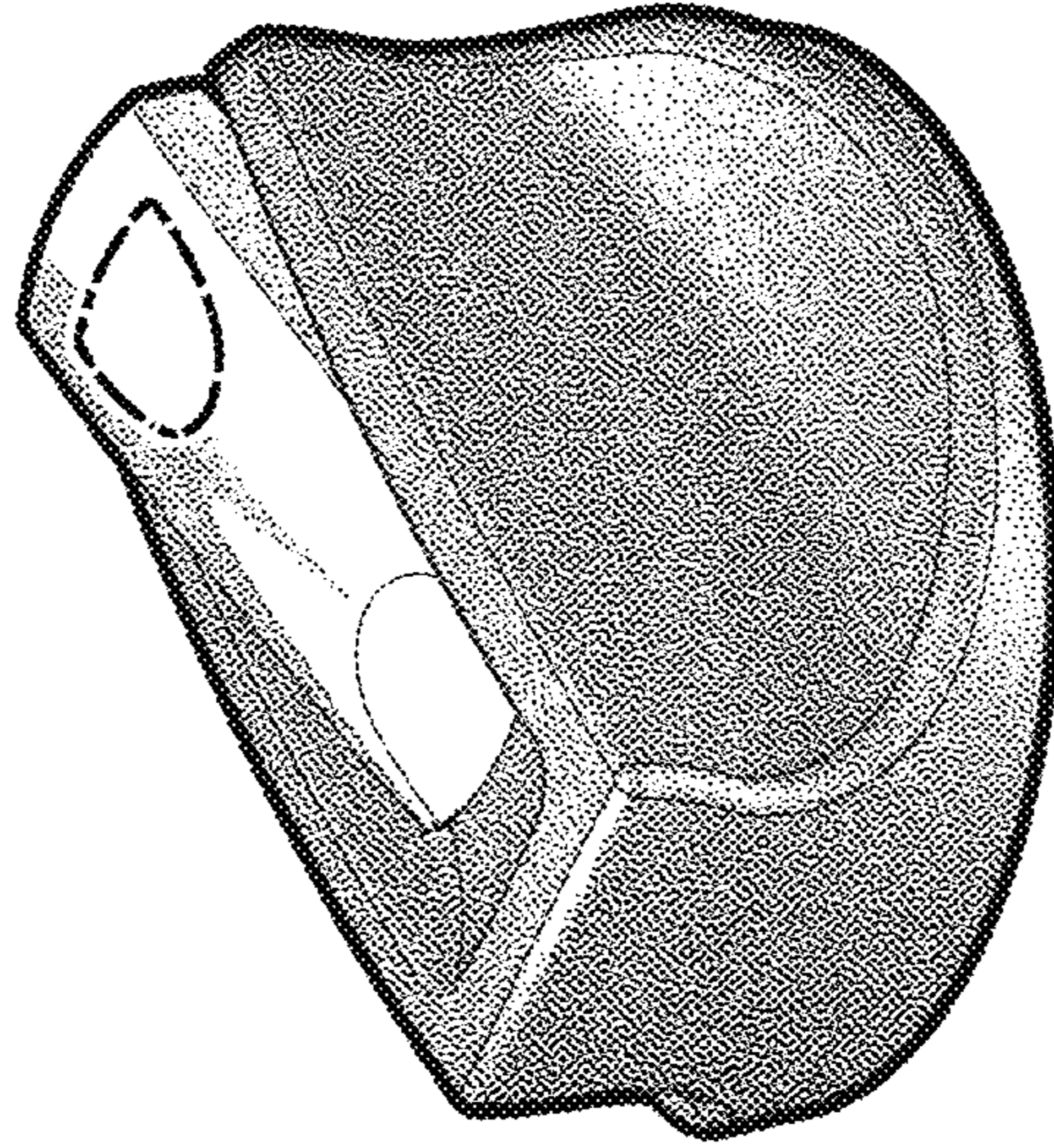


FIG. 1

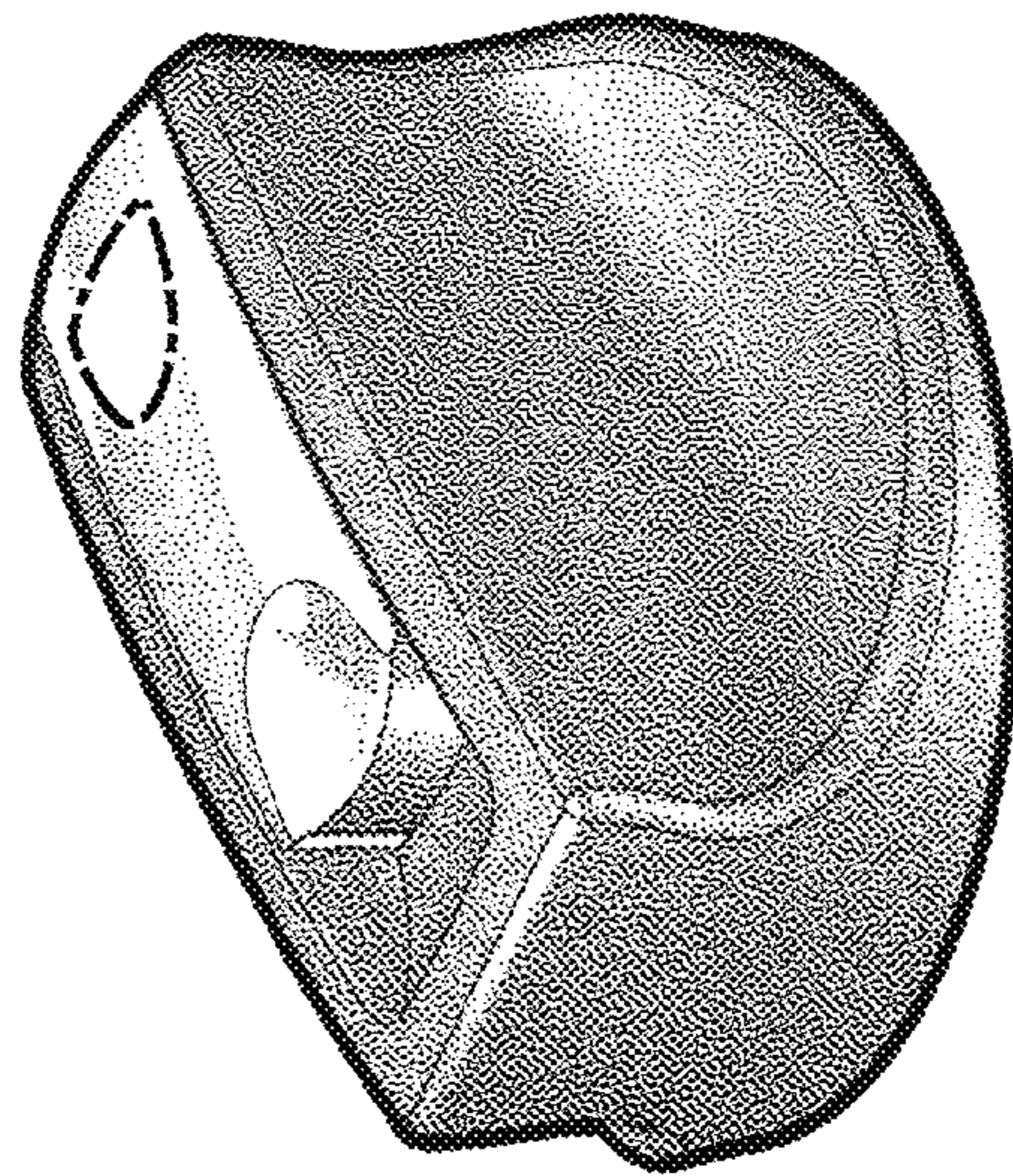


FIG. 2

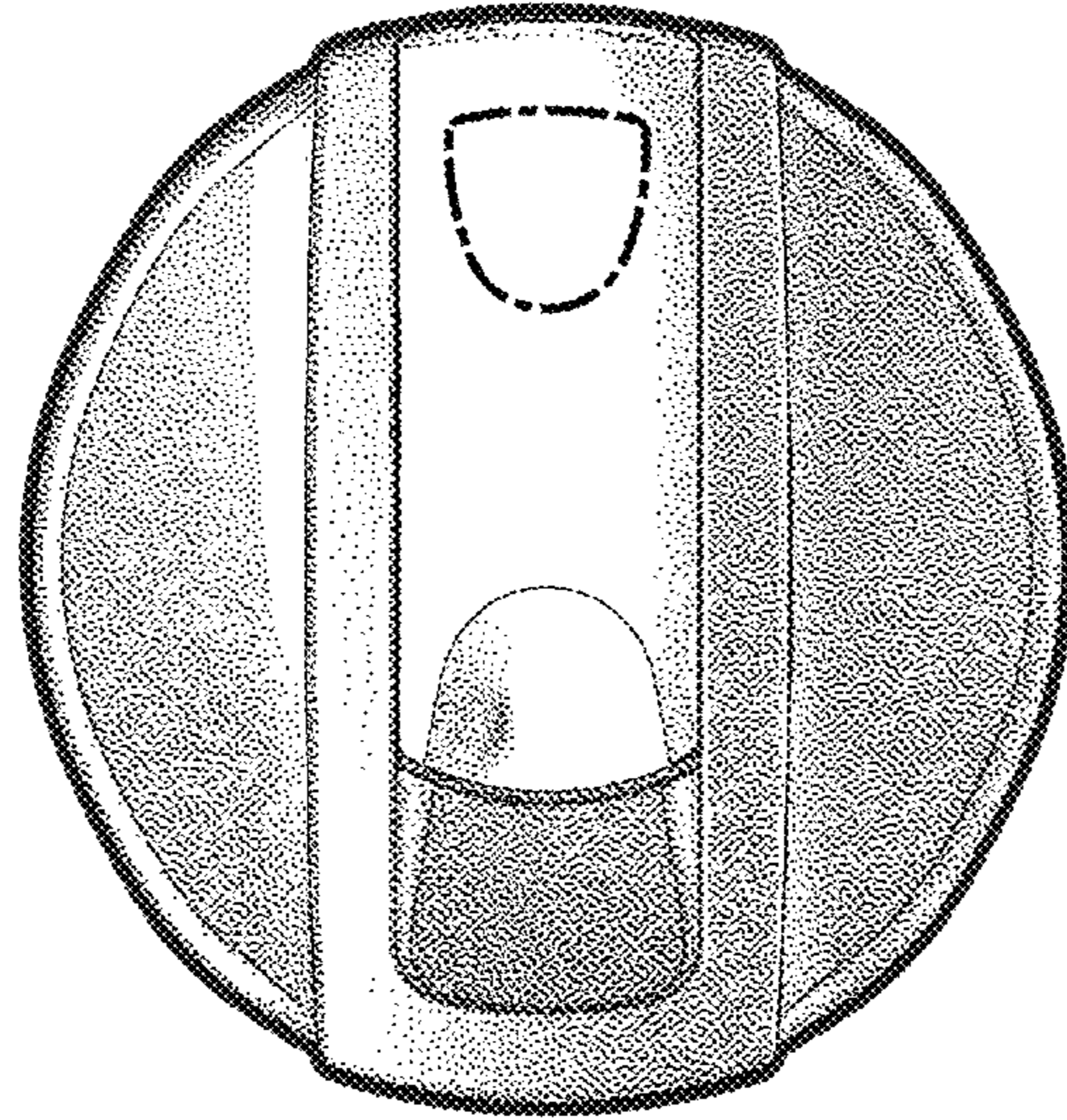


FIG.4

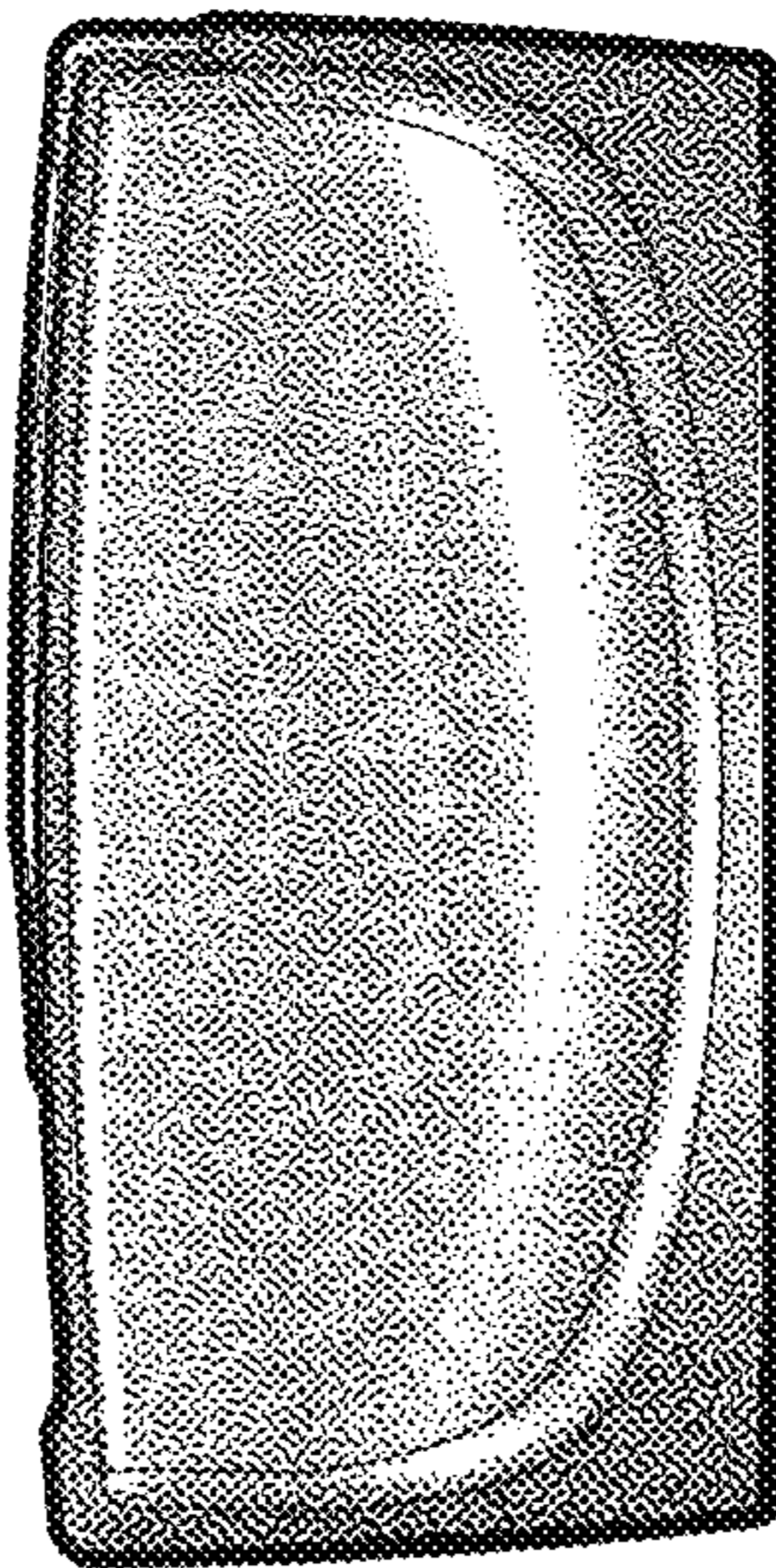


FIG.3

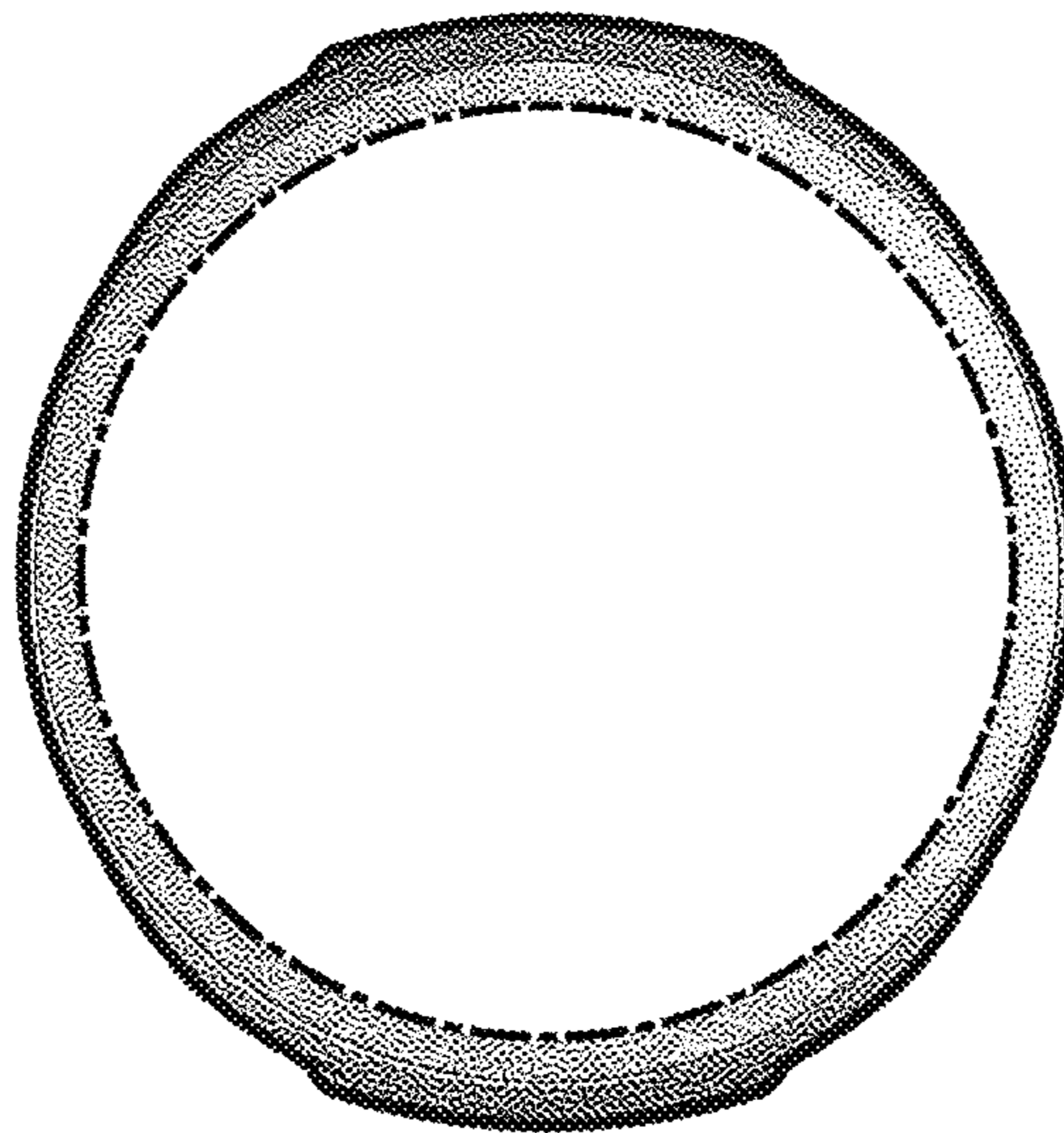


FIG. 5

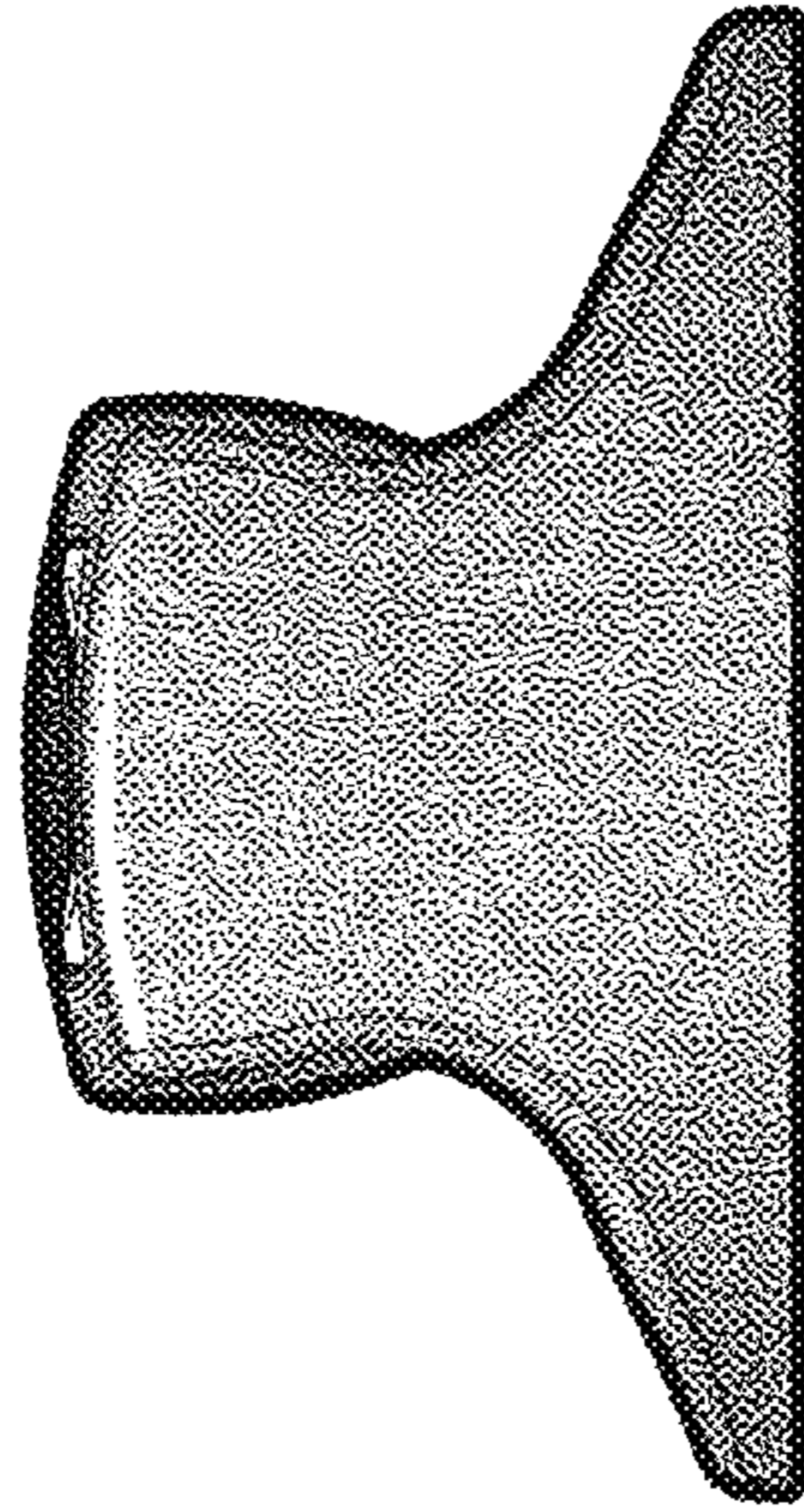


FIG. 6

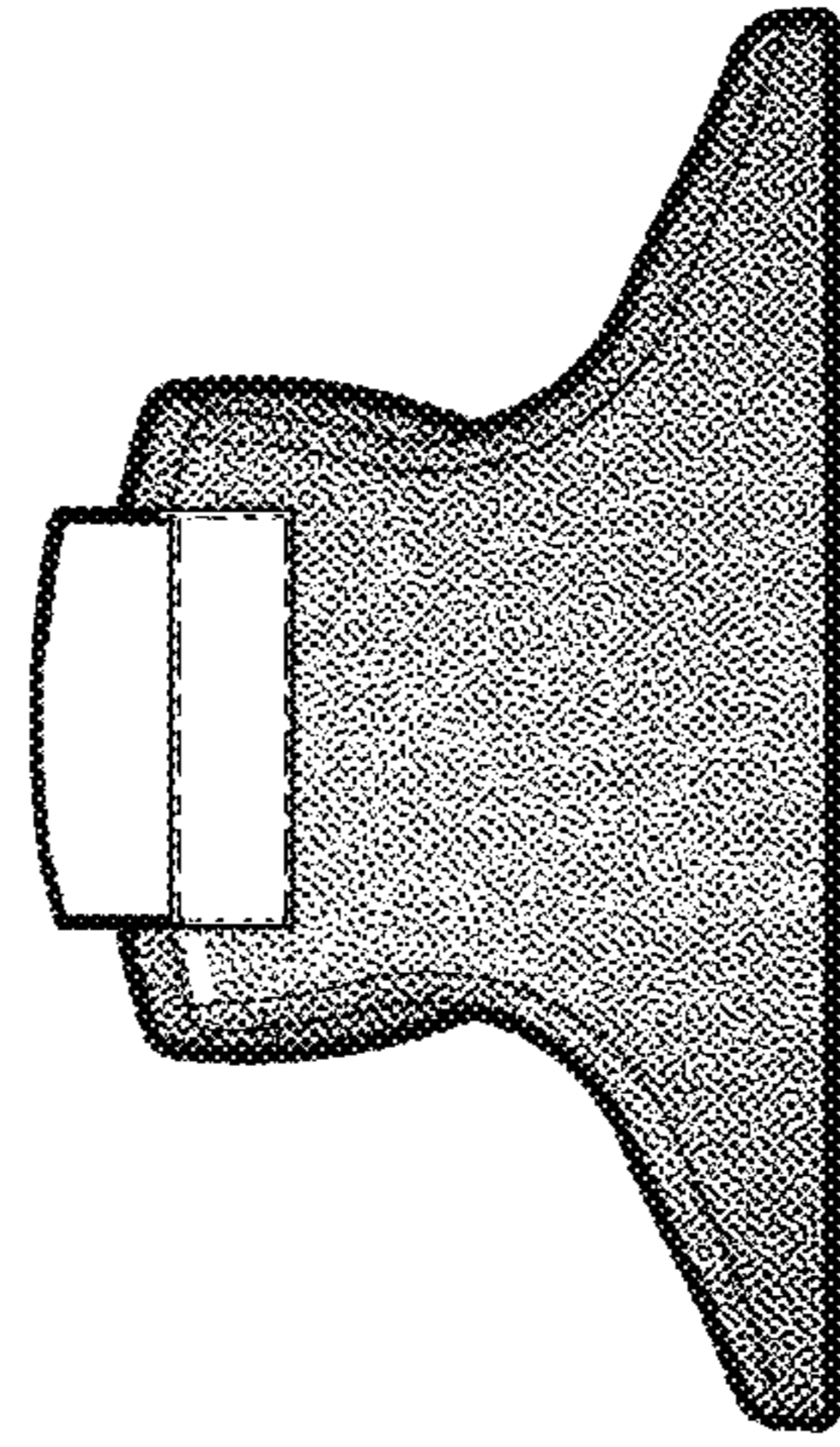


FIG. 8

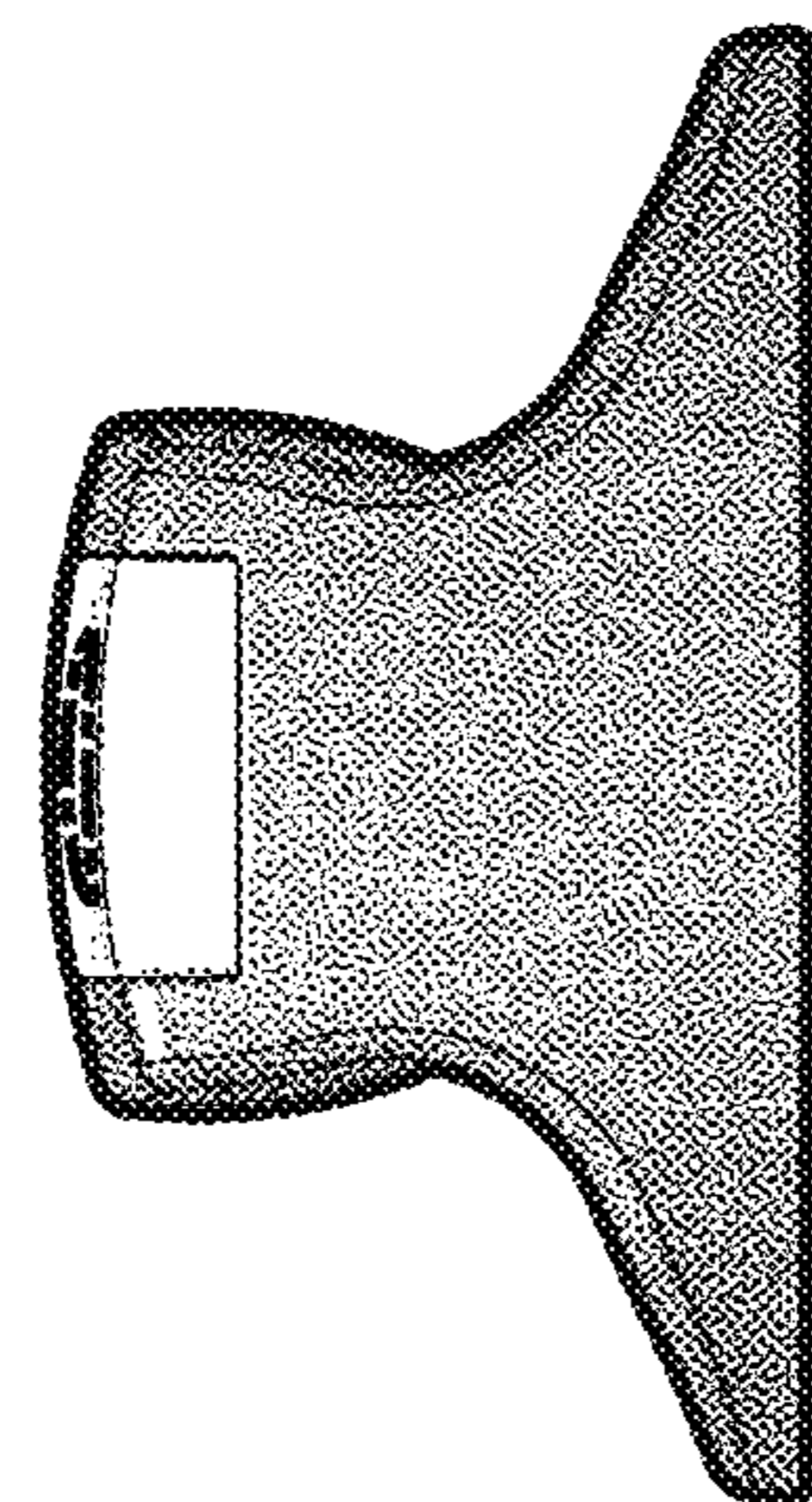


FIG. 7