



US00D825983S

(12) **United States Design Patent** (10) **Patent No.:** **US D825,983 S**  
**Kraemer et al.** (45) **Date of Patent:** **\*\* Aug. 21, 2018**

(54) **ROASTER**

(56) **References Cited**

(71) Applicant: **IA Collaborative Ventures, LLC—Series Kelvin**, Chicago, IL (US)

U.S. PATENT DOCUMENTS

(72) Inventors: **Daniel M. Kraemer**, Chicago, IL (US); **Luis Humberto Velazquez Rascon**, San Francisco, CA (US); **Luke A. Westra**, Chicago, IL (US); **Derek Ashley Smith**, Chicago, IL (US); **Sean J. Sanders**, Chicago, IL (US)

D212,260	S	*	9/1968	Cabell	.....	D7/373
D218,256	S	*	8/1970	Rams	.....	D7/373
4,271,603	A		6/1981	Moore, III		
D269,489	S	*	6/1983	Akita	.....	D7/372
4,494,314	A		1/1985	Gell, Jr.		
D303,482	S	*	9/1989	Barrault	.....	D7/381
4,875,904	A		10/1989	Munk		
D320,326	S	*	10/1991	Barrault	.....	D7/372
5,269,072	A		12/1993	Waligorski		
D346,526	S	*	5/1994	Bannigan	.....	D7/323
5,359,788	A		11/1994	Gell, Jr.		
D366,595	S	*	1/1996	Dobson	.....	D7/373
5,564,331	A		10/1996	Song		
5,749,288	A		5/1998	Skaling		
5,960,561	A		10/1999	Parodi et al.		
D444,668	S	*	7/2001	Leung	.....	D7/372
6,324,770	B2		12/2001	Moon et al.		
6,558,726	B2		5/2003	Erickson et al.		
6,770,315	B2		8/2004	Moon et al.		
D621,206	S	*	8/2010	Matta	.....	D7/372

(73) Assignee: **IA Collaborative Ventures, LLC—Series Kelvin**, Chicago, IL (US)

(\*\*) Term: **15 Years**

(21) Appl. No.: **29/590,683**

(22) Filed: **Jan. 12, 2017**

(51) **LOC (11) Cl.** ..... **31-00**

(52) **U.S. Cl.**  
USPC ..... **D7/373; D7/372**

(58) **Field of Classification Search**  
USPC ..... **D7/323, 372–373, 376–386, 412–413, D7/602, 629, 665–666, 669, 679, D7/693–694**

CPC .... **A21C 1/02; A21C 1/04; A23N 1/00; A23N 1/02; A47J 42/04; A47J 42/26; A47J 43/04; A47J 43/25; A47J 43/27; A47J 43/042; A47J 43/044; A47J 43/046; A47J 43/075; A47J 43/0722; A47J 43/0727; B01F 3/00; B01F 3/0807; B01F 3/0853; B01F 13/0059; B01F 13/0064; B02C 1/08; B02C 2/04; B02C 4/42; B02C 4/142; B02C 4/143; B02C 4/423; B02C 13/1835; B28C 5/10; B28C 5/12; B28C 5/14; B28C 5/16**

See application file for complete search history.

(Continued)

*Primary Examiner* — Ricky Pham

(74) *Attorney, Agent, or Firm* — Dicke, Billig & Czaja, PLLC

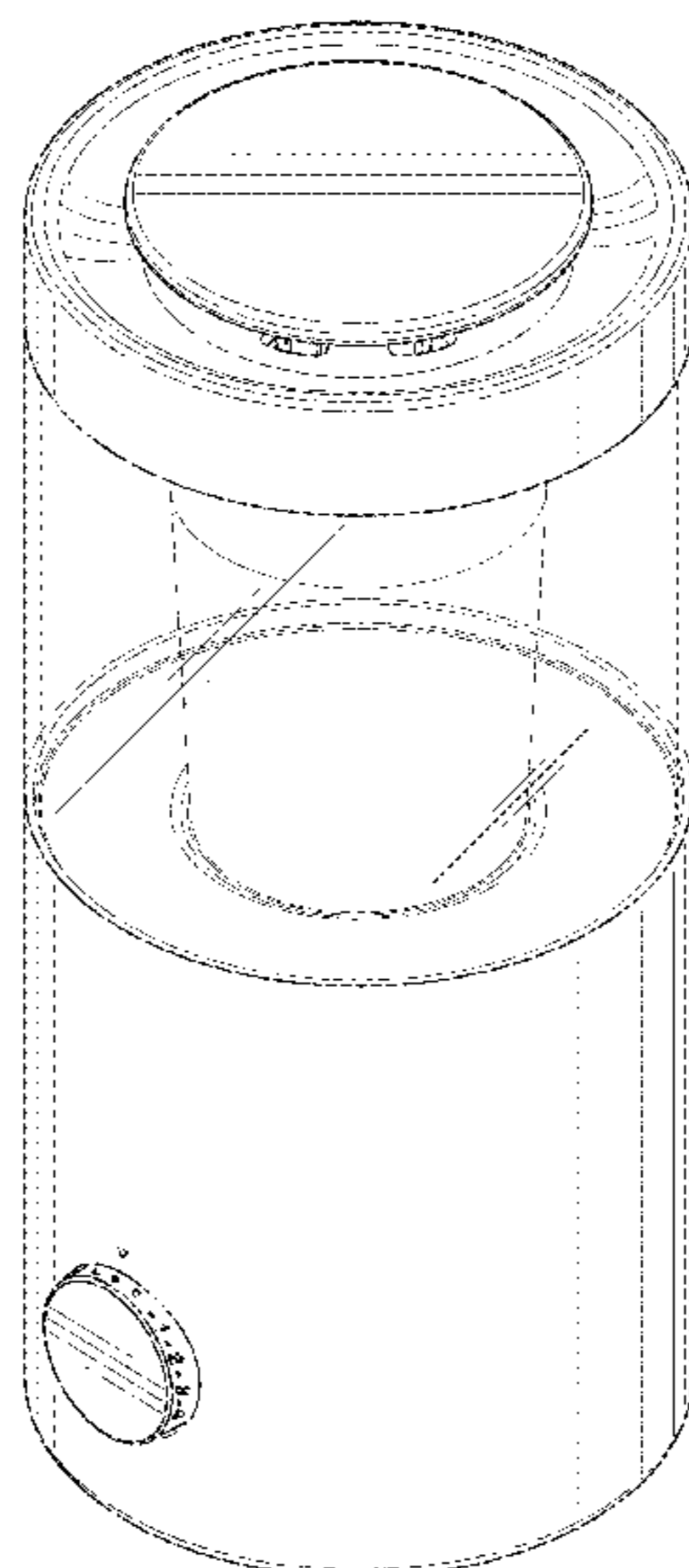
(57) **CLAIM**

The ornamental design for a roaster, as shown and described herein.

**DESCRIPTION**

FIG. 1 is a top and front perspective view of a roaster in accordance with the present disclosure; FIG. 2 is a front end view of the roaster of FIG. 1; FIG. 3 is a rear end view of the roaster of FIG. 1; FIG. 4 is a left side view of the roaster of FIG. 1; FIG. 5 is a right left side view of the roaster of FIG. 1; FIG. 6 is a top plan view of the roaster of FIG. 1; and, FIG. 7 is a bottom plan view of the roaster of FIG. 1. The elements shown in broken lines are for illustrative purposes only and form no part of the claimed design.

**1 Claim, 7 Drawing Sheets**



(56)

**References Cited**

U.S. PATENT DOCUMENTS

D629,642 S \* 12/2010 Miller ..... D7/372  
D634,155 S \* 3/2011 Duncan ..... D7/372  
2009/0032627 A1\* 2/2009 Krasznai ..... A47J 42/26  
241/36  
2009/0121063 A1\* 5/2009 Wu ..... A47J 42/04  
241/169.1

\* cited by examiner

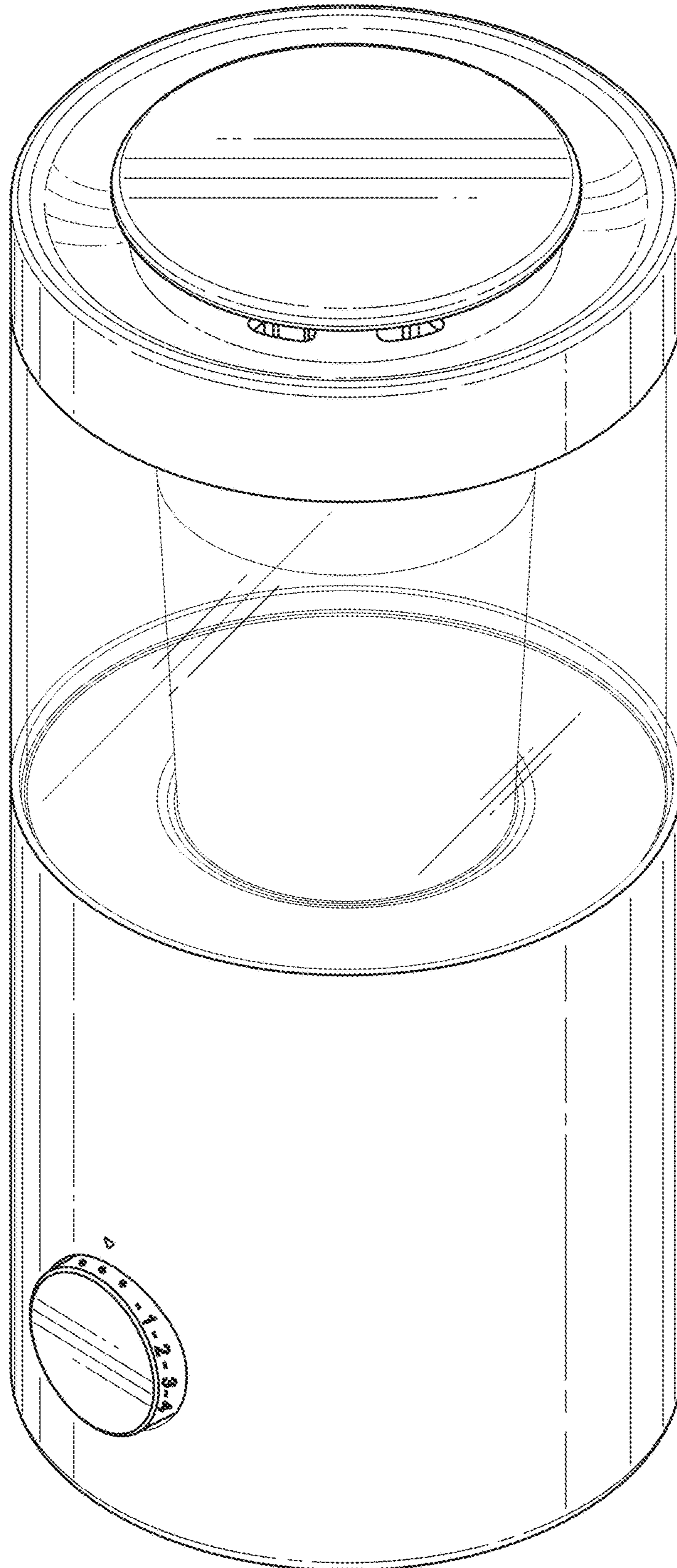


FIG. 1

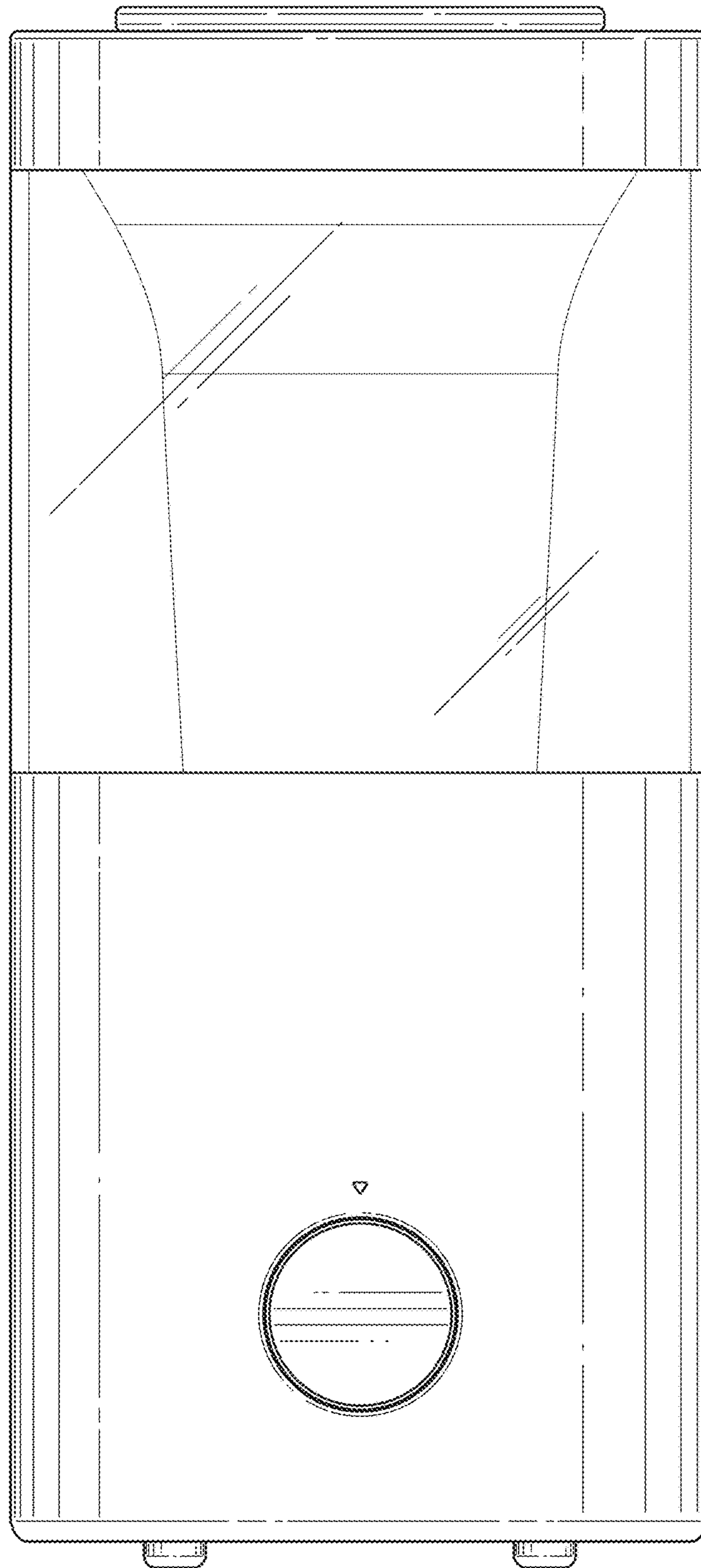


FIG. 2

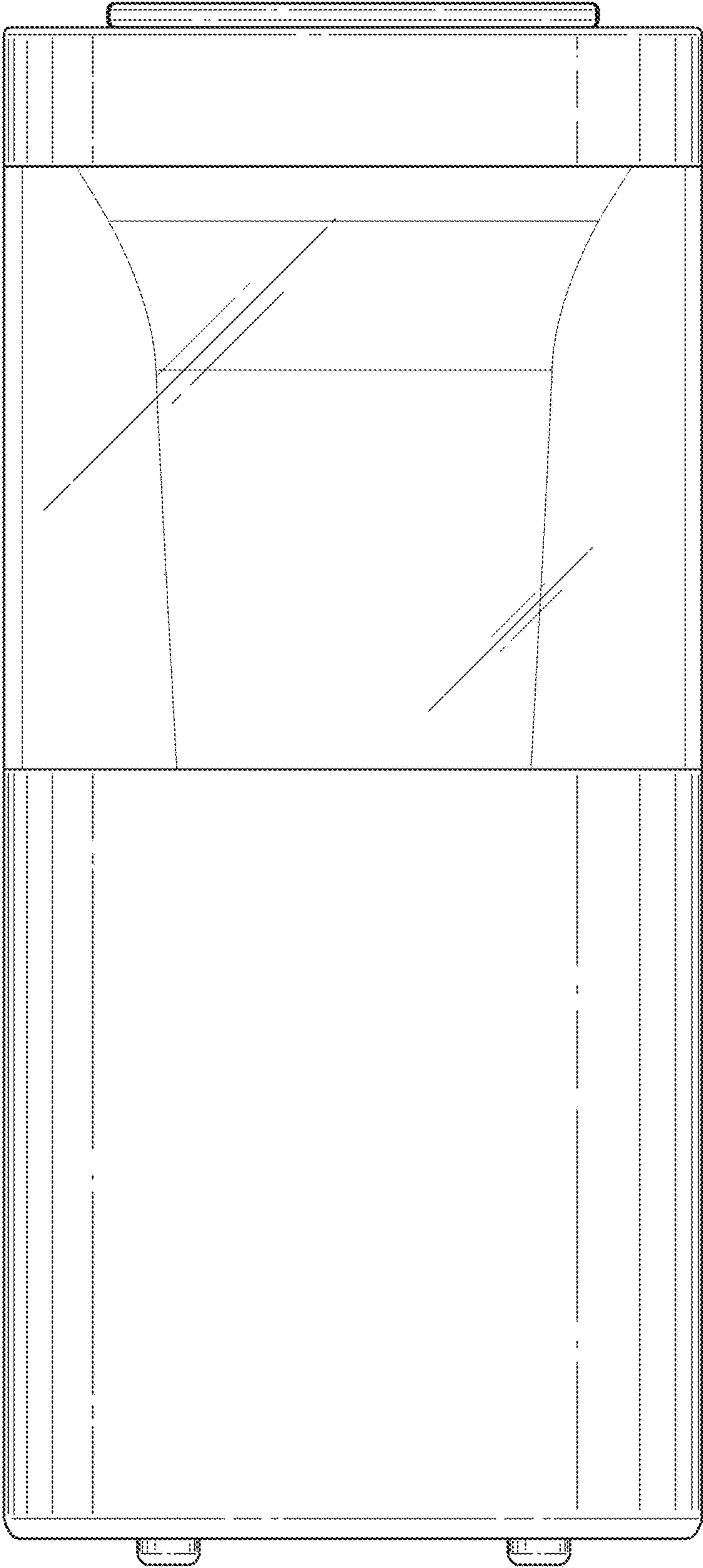


FIG. 3

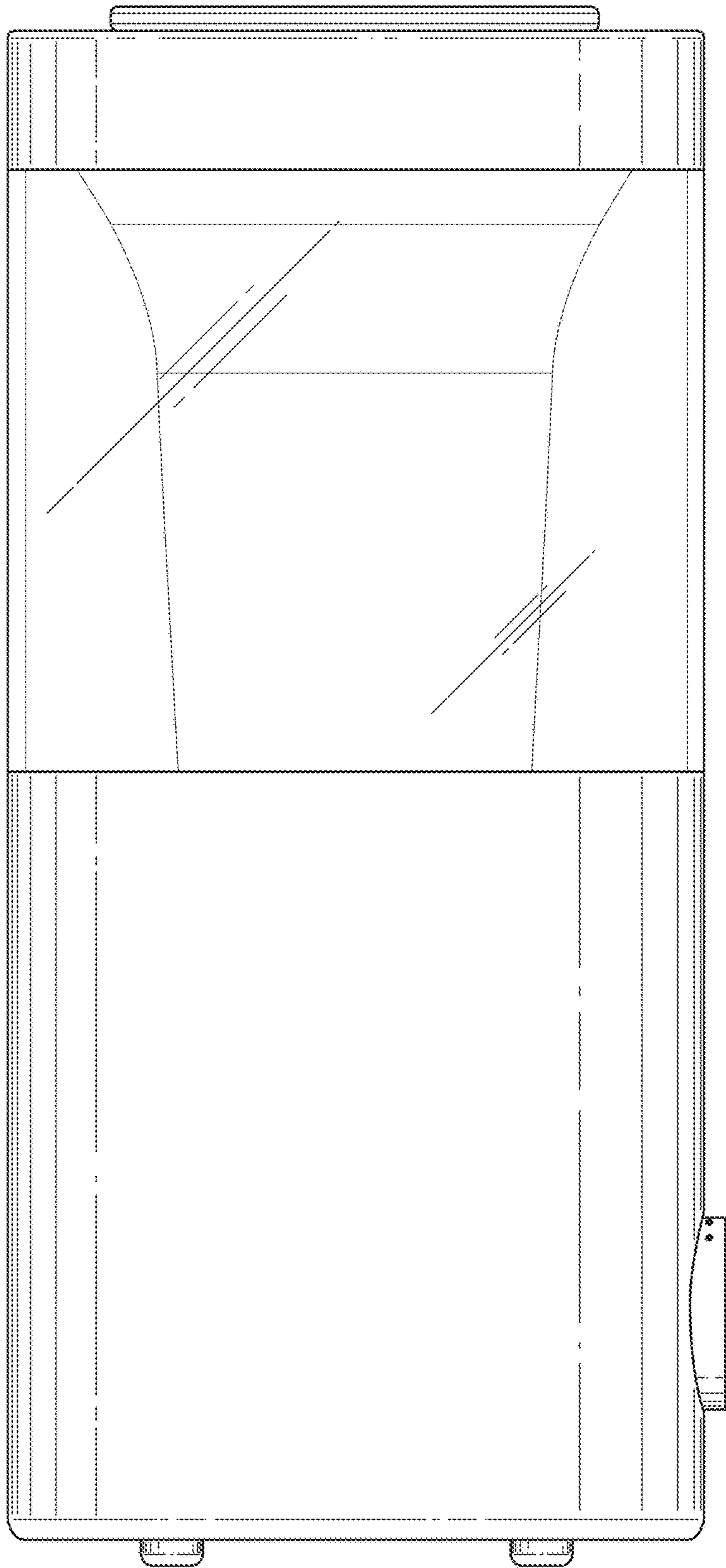


FIG. 4

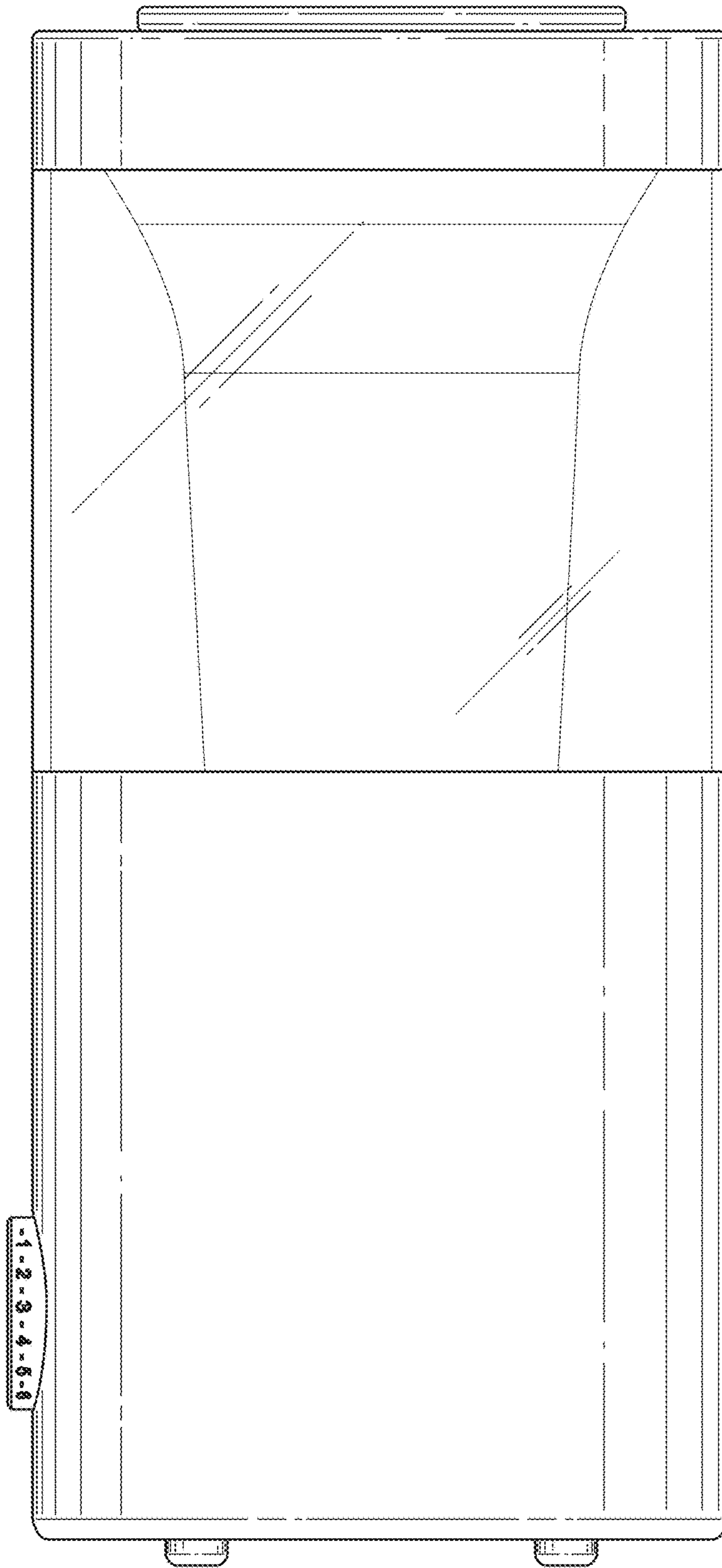


FIG. 5

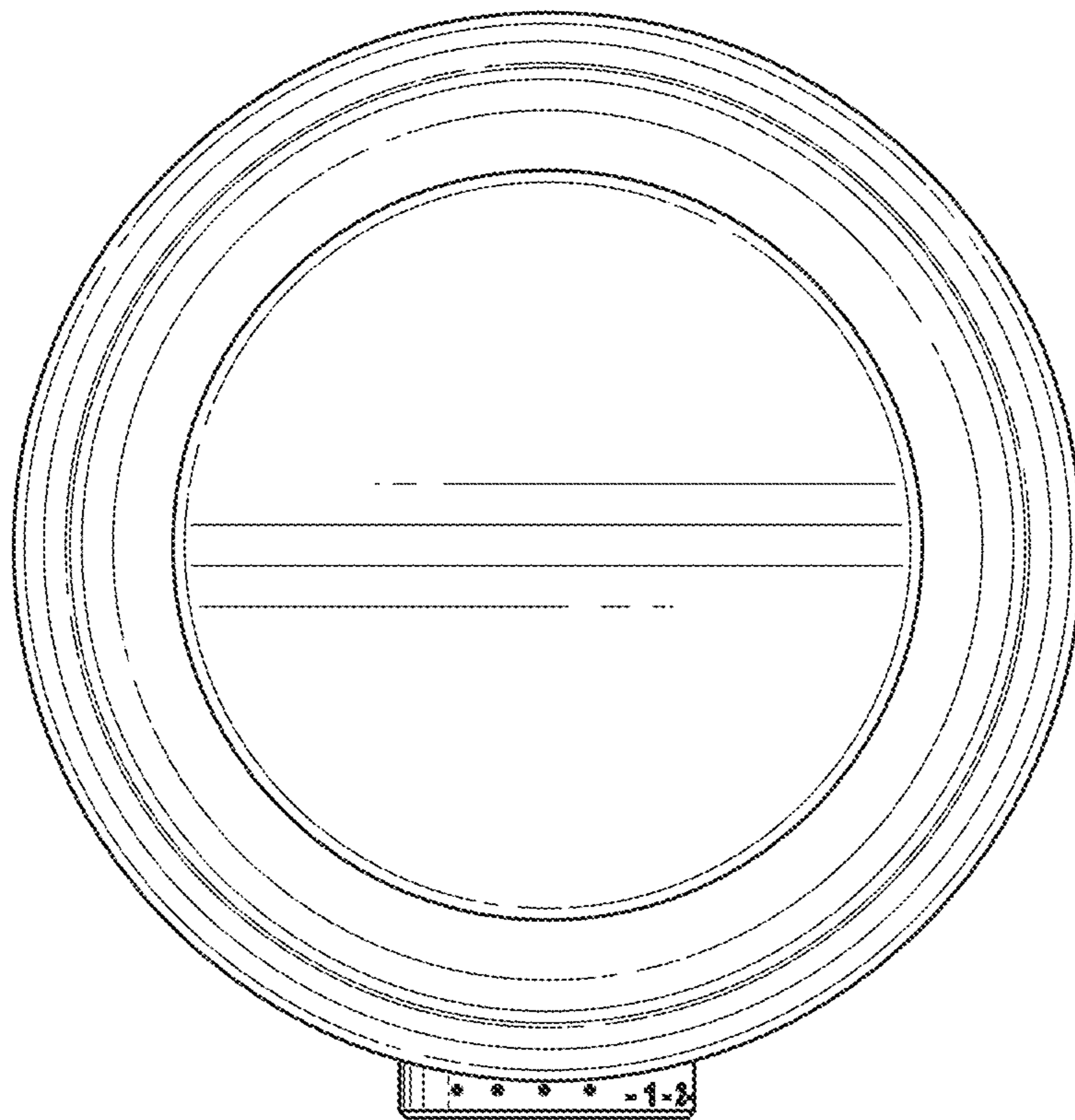


FIG. 6



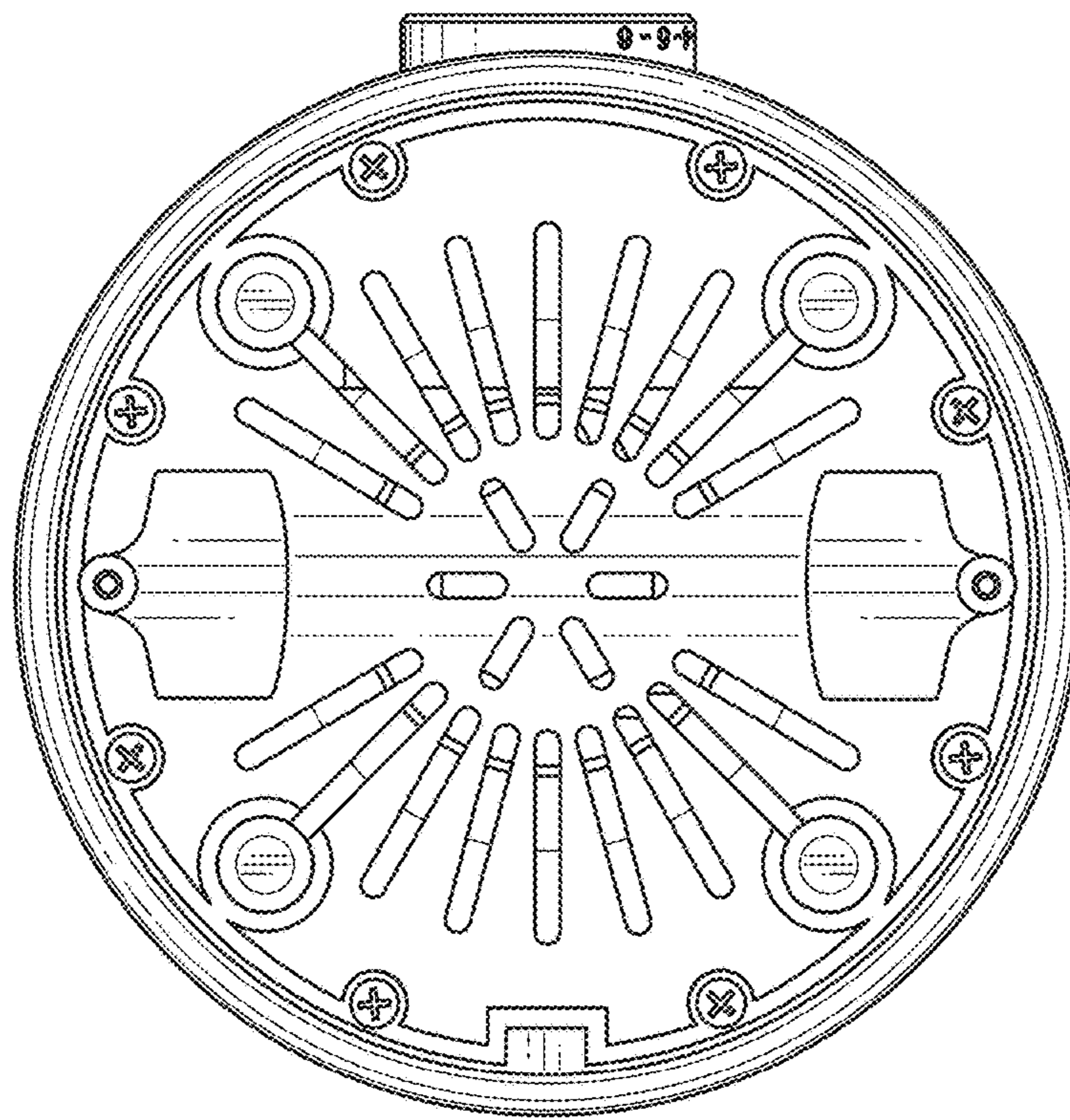


FIG. 7