



US00D825982S

(12) **United States Design Patent** (10) **Patent No.:** **US D825,982 S**
Davies (45) **Date of Patent:** **** Aug. 21, 2018**

(54) **KITCHEN UTENSIL**

(56) **References Cited**

(71) Applicant: **DKB HOUSEHOLD UK LIMITED**,
Hampshire (GB)

U.S. PATENT DOCUMENTS

(72) Inventor: **Ben Davies**, Lyndhurst (GB)

D330,664 S *	11/1992	Johnson	D7/693
D349,433 S *	8/1994	Tran	D7/682
D358,293 S *	5/1995	Sebastia	D7/376
D361,241 S *	8/1995	Littmann	D7/376
D361,478 S *	8/1995	Kinsman	D7/679
D362,598 S *	9/1995	Kibbe	D7/678
D454,984 S *	3/2002	Look	D19/66
D506,361 S *	6/2005	Lee	D7/679
D510,844 S *	10/2005	Chiu	D7/679
D537,680 S *	3/2007	Pultz	D7/594
D629,252 S *	12/2010	Alviar	D7/510
2005/0040265 A1 *	2/2005	Pai	A47J 43/255 241/169.1

(73) Assignee: **DKB Household UK Limited** (GB)

(**) Term: **15 Years**

(21) Appl. No.: **29/572,773**

(22) Filed: **Jul. 29, 2016**

(30) **Foreign Application Priority Data**

Feb. 1, 2016 (EM) 002968008-0002

(51) **LOC (11) Cl.** **31-00**

(52) **U.S. Cl.**
USPC **D7/372; D7/376; D7/379; D7/380**

(58) **Field of Classification Search**
USPC **D7/372, 376-386, 412-413, 510, 594, D7/602, 629, 665-666, 669, 678-679, D7/693-694; D28/77**

CPC **A21C 1/02; A21C 1/04; A23N 1/00; A23N 1/02; A47J 43/04; A47J 43/25; A47J 43/255; A47J 43/27; A47J 43/042; A47J 43/044; A47J 43/046; A47J 43/075; A47J 43/0722; A47J 43/0727; B01F 3/00; B01F 3/0807; B01F 3/0853; B01F 13/0059; B01F 13/0064; B02C 1/08; B02C 2/04; B02C 4/42; B02C 4/142; B02C 4/143; B02C 4/423; B02C 13/1835; B28C 5/10; B28C 5/12; B28C 5/14; B28C 5/16**

See application file for complete search history.

* cited by examiner

Primary Examiner — Ricky Pham
(74) *Attorney, Agent, or Firm* — Dorsey & Whitney LLP

(57) **CLAIM**

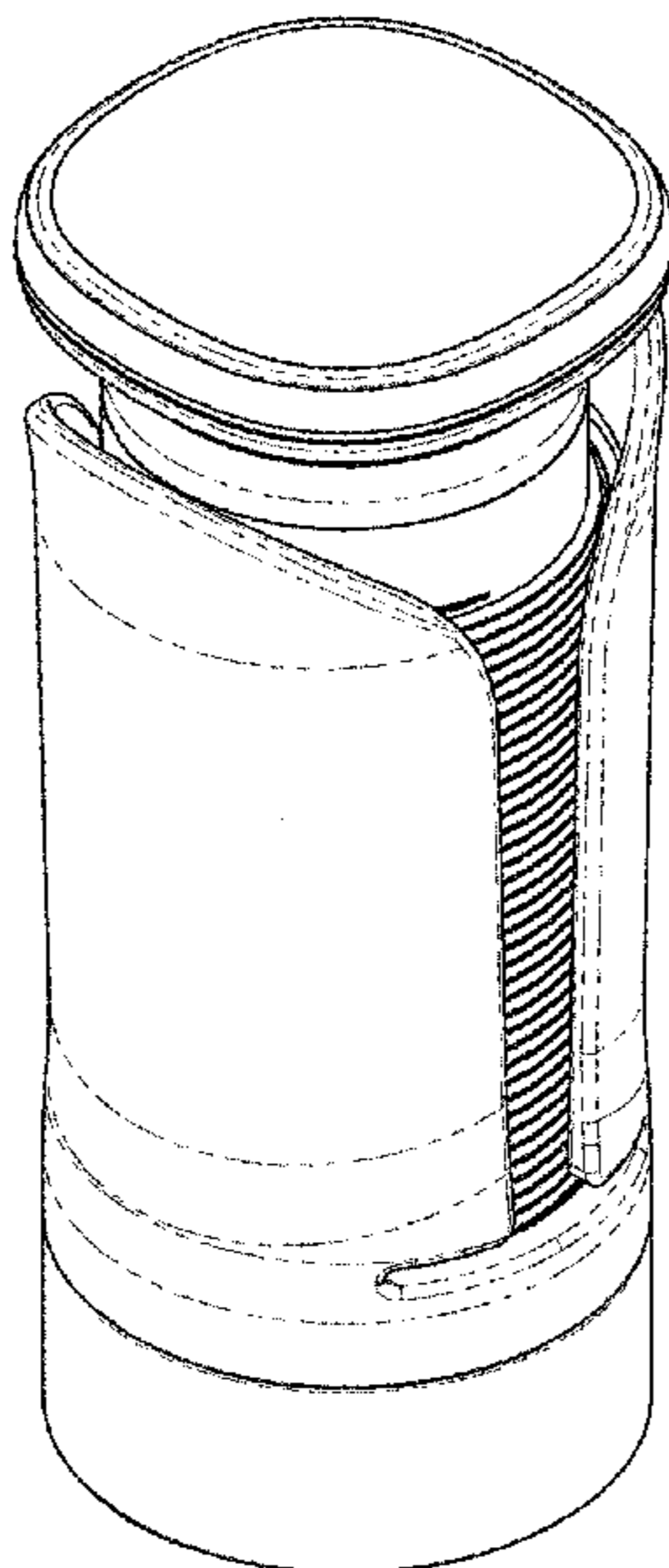
The ornamental design for a kitchen utensil, as shown and described.

DESCRIPTION

FIG. 1 is an isometric view of a kitchen utensil in accordance with the present design;
FIG. 2 is a top plan view thereof;
FIG. 3 is a bottom plan view thereof;
FIG. 4 is a front elevation view thereof, the rear elevation view thereof is a mirror image of the front elevation view; and,
FIG. 5 is a right side elevation view thereof, the left side elevation view thereof is a mirror image of the right side elevation view.

The broken lines represent contour lines and form no part of the claimed design.

1 Claim, 5 Drawing Sheets



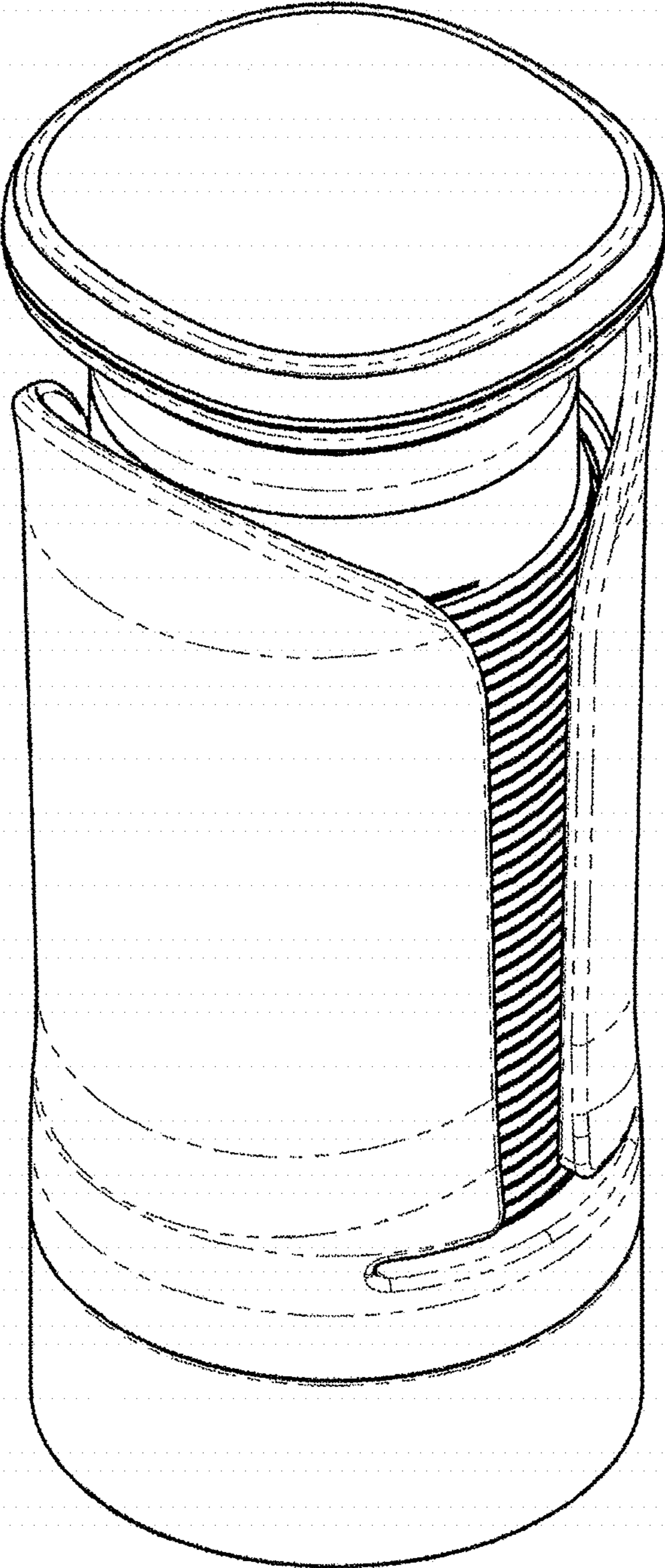


FIG. 1

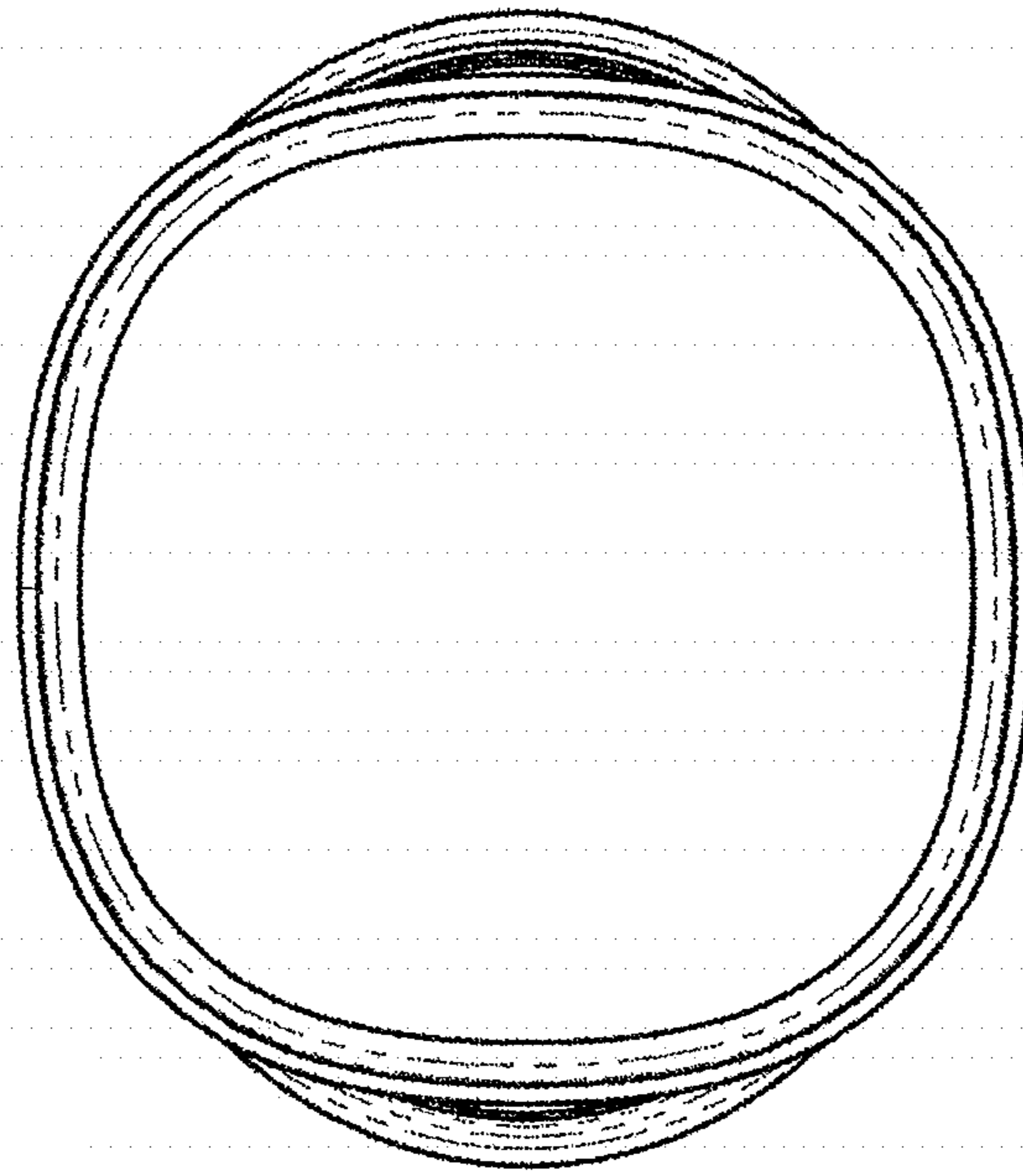


FIG. 2

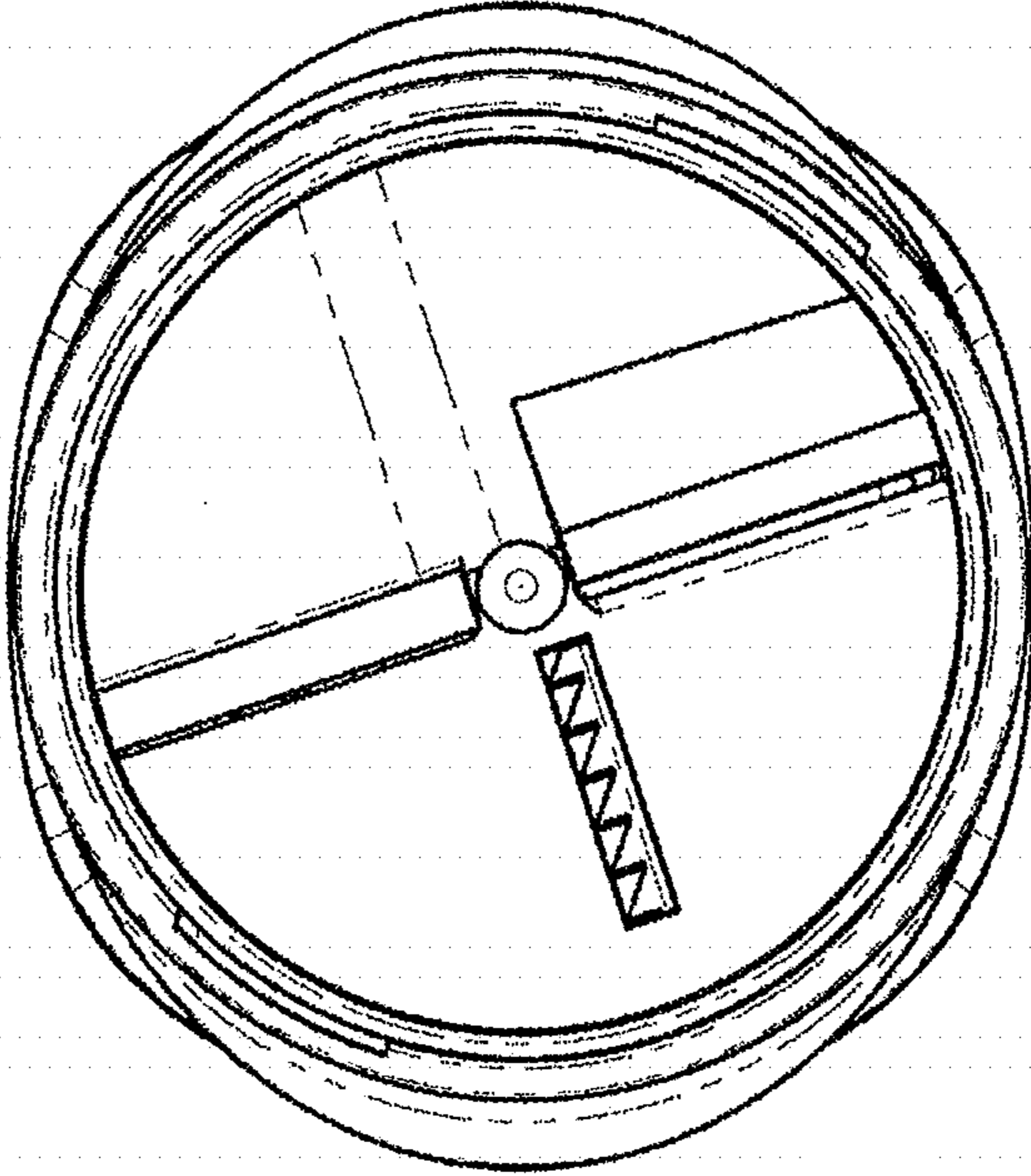


FIG. 3

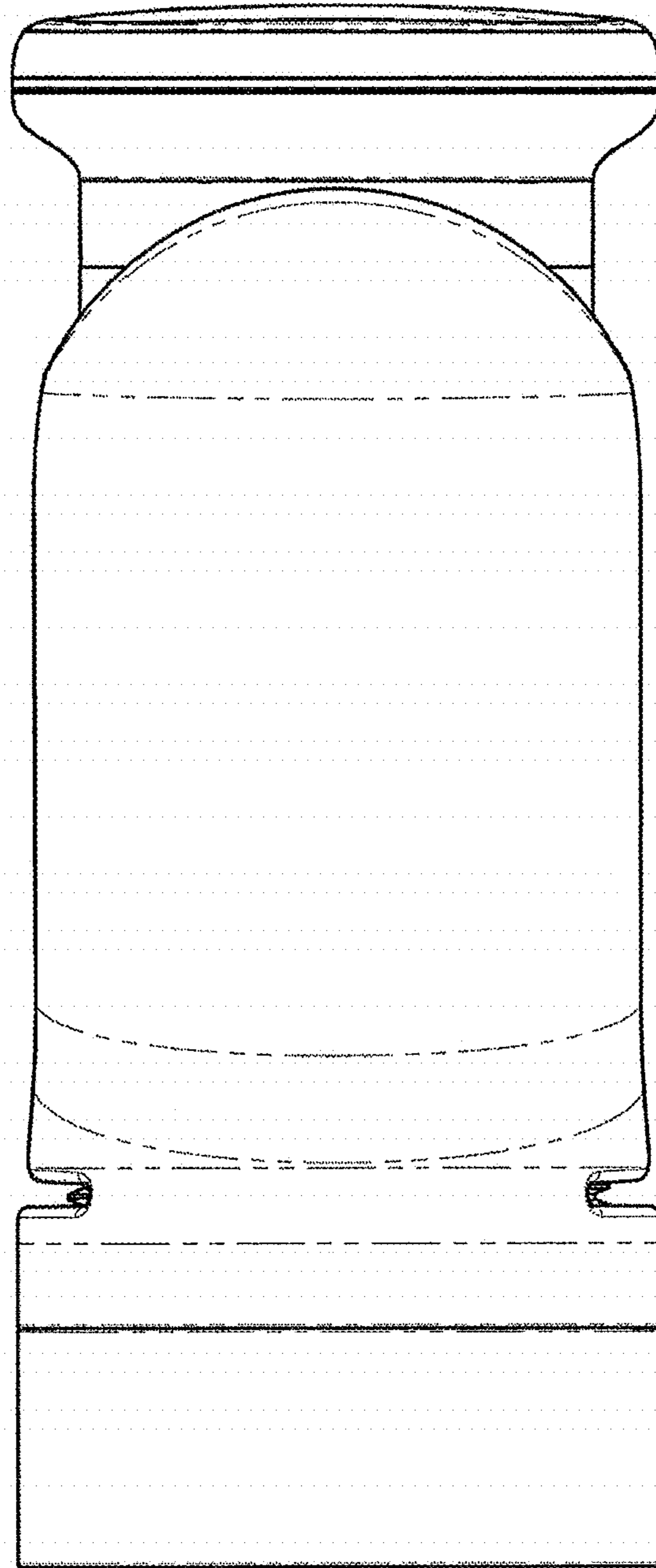


FIG. 4

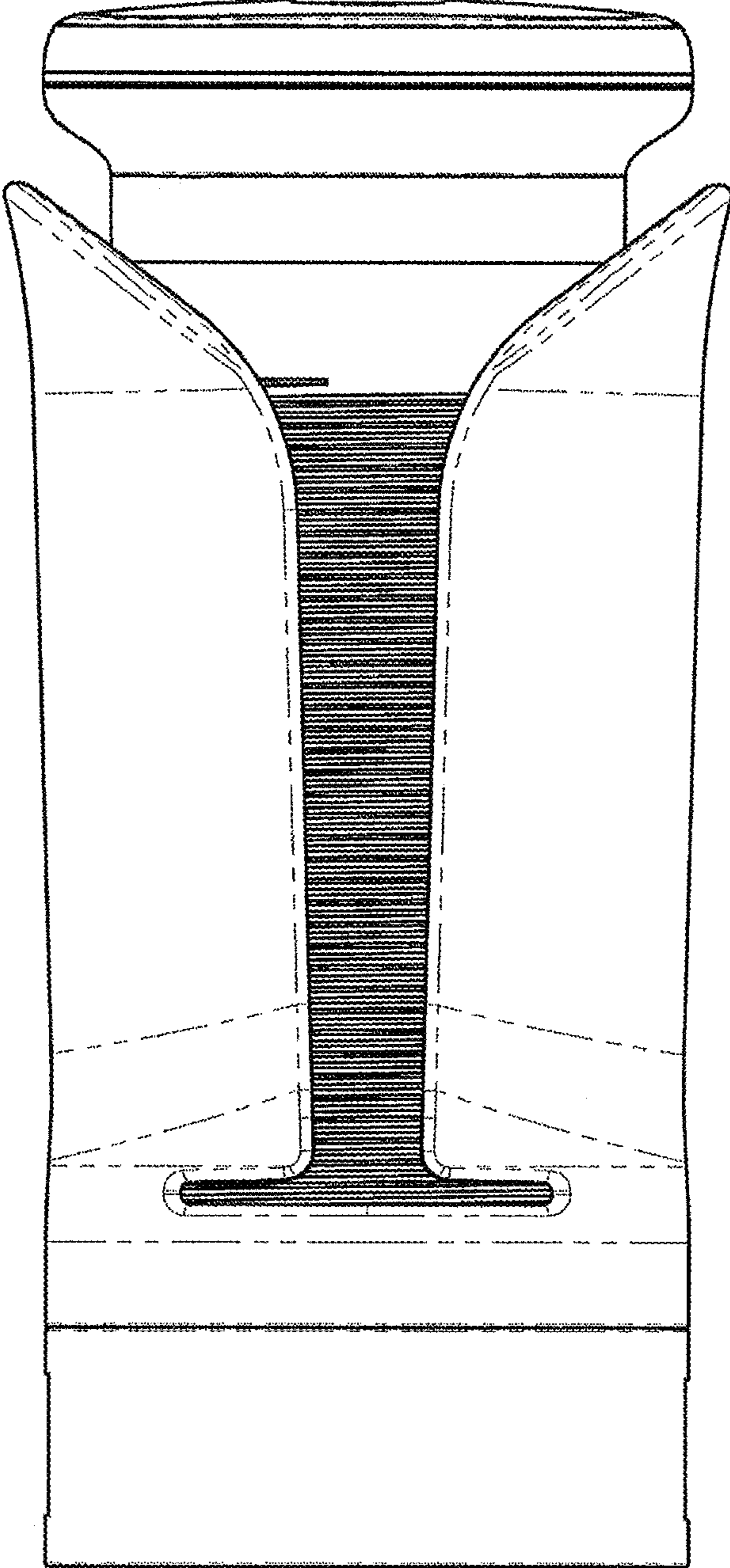


FIG. 5