



US00D825978S

(12) **United States Design Patent** (10) **Patent No.:** **US D825,978 S**
Treyes (45) **Date of Patent:** **** Aug. 21, 2018**

- (54) **SERVING DISH**
- (71) Applicant: **Jill Treyes**, San Ramon, CA (US)
- (72) Inventor: **Jill Treyes**, San Ramon, CA (US)
- (**) Term: **15 Years**
- (21) Appl. No.: **29/590,837**
- (22) Filed: **Jan. 13, 2017**
- (51) **LOC (11) Cl.** **07-02**
- (52) **U.S. Cl.**
USPC **D7/355; D7/337; D7/366**
- (58) **Field of Classification Search**
USPC D7/332, 337, 338, 355-367; 99/483
CPC A47J 39/02; B65D 51/245
See application file for complete search history.

D798,647 S *	10/2017	Chung	D7/337
D802,353 S *	11/2017	Chung	D7/337
2005/0076795 A1	4/2005	Riddle		
2014/0069284 A1*	3/2014	Zhou	A47J 36/2405
				99/483
2017/0196403 A1*	7/2017	Treyes	A47J 36/24

(56) **References Cited**
U.S. PATENT DOCUMENTS

5,045,672 A	9/1991	Scott		
5,381,729 A	1/1995	Hennessy et al.		
D401,805 S *	12/1998	Benz	D7/355
D426,103 S *	6/2000	Briner	D7/355
D434,268 S *	11/2000	Yu	D7/355
D434,594 S *	12/2000	Yu	D7/355
6,705,210 B2	3/2004	Leonard		
D488,668 S *	4/2004	Tse	D7/355
D513,149 S *	12/2005	Zhang	D7/337
D514,870 S *	2/2006	Chung	D7/337
D600,969 S *	9/2009	Chung	D7/337
D610,862 S *	3/2010	Chung	D7/337
D611,292 S *	3/2010	Chung	D7/337
D630,465 S *	1/2011	Chung	D7/337
D631,685 S *	2/2011	Tiller	D7/337
D653,898 S *	2/2012	Chung	D7/337
D677,108 S *	3/2013	Chung	D7/337
D677,111 S *	3/2013	Chung	D7/337
D680,793 S *	4/2013	Chung	D7/332
D796,250 S *	9/2017	Chung	D7/337

OTHER PUBLICATIONS

“Madison-Shafer-601”, posted Apr. 11, 2009 [online], [retrieved Apr. 11, 2018]. Retrieved from internet, https://www.amazon.com/Madison-Chafer-601-Stainless-Steel/product-reviews/B00QHDB81Y/ref=cm_cr_getr_d_paging_btm_5?ie=UTF8&reviewerType=all_reviews&sortBy=recent&pageNumber=52018.*

* cited by examiner

Primary Examiner — Barbara Fox
Assistant Examiner — Mehri F Bajoul
(74) *Attorney, Agent, or Firm* — Global Intellectual Property Agency, LLC; Jordan Sworen

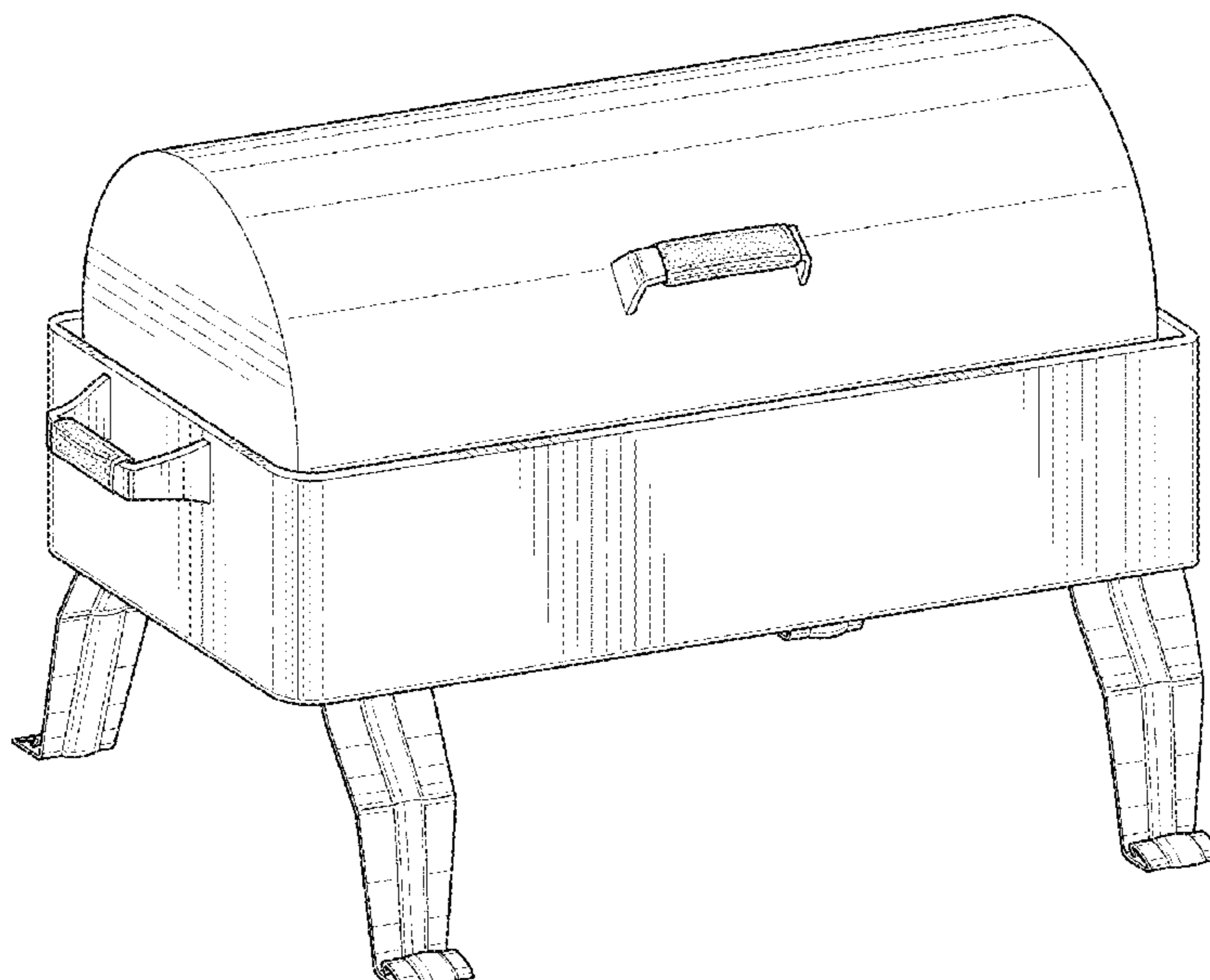
(57) **CLAIM**

The ornamental design for a serving dish, as shown and described.

DESCRIPTION

FIG. 1 is a perspective view of a serving dish showing the new design.
FIG. 2 is a front elevational view thereof.
FIG. 3 is a rear elevational view thereof.
FIG. 4 is a left side elevational view thereof.
FIG. 5 is a right side elevational view thereof.
FIG. 6 is a top plan view thereof; and,
FIG. 7 is a bottom plan view thereof.

1 Claim, 6 Drawing Sheets



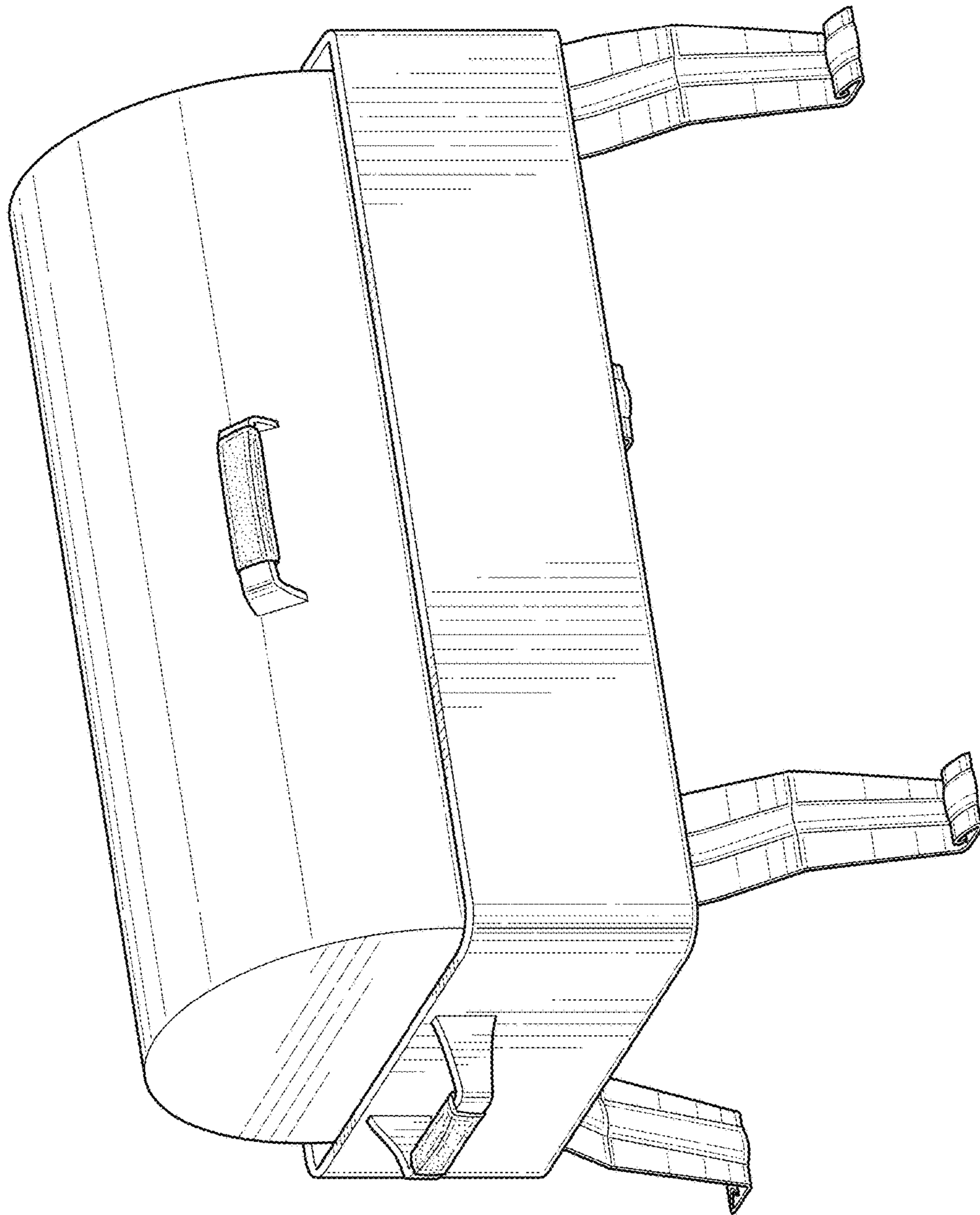


FIG. 1

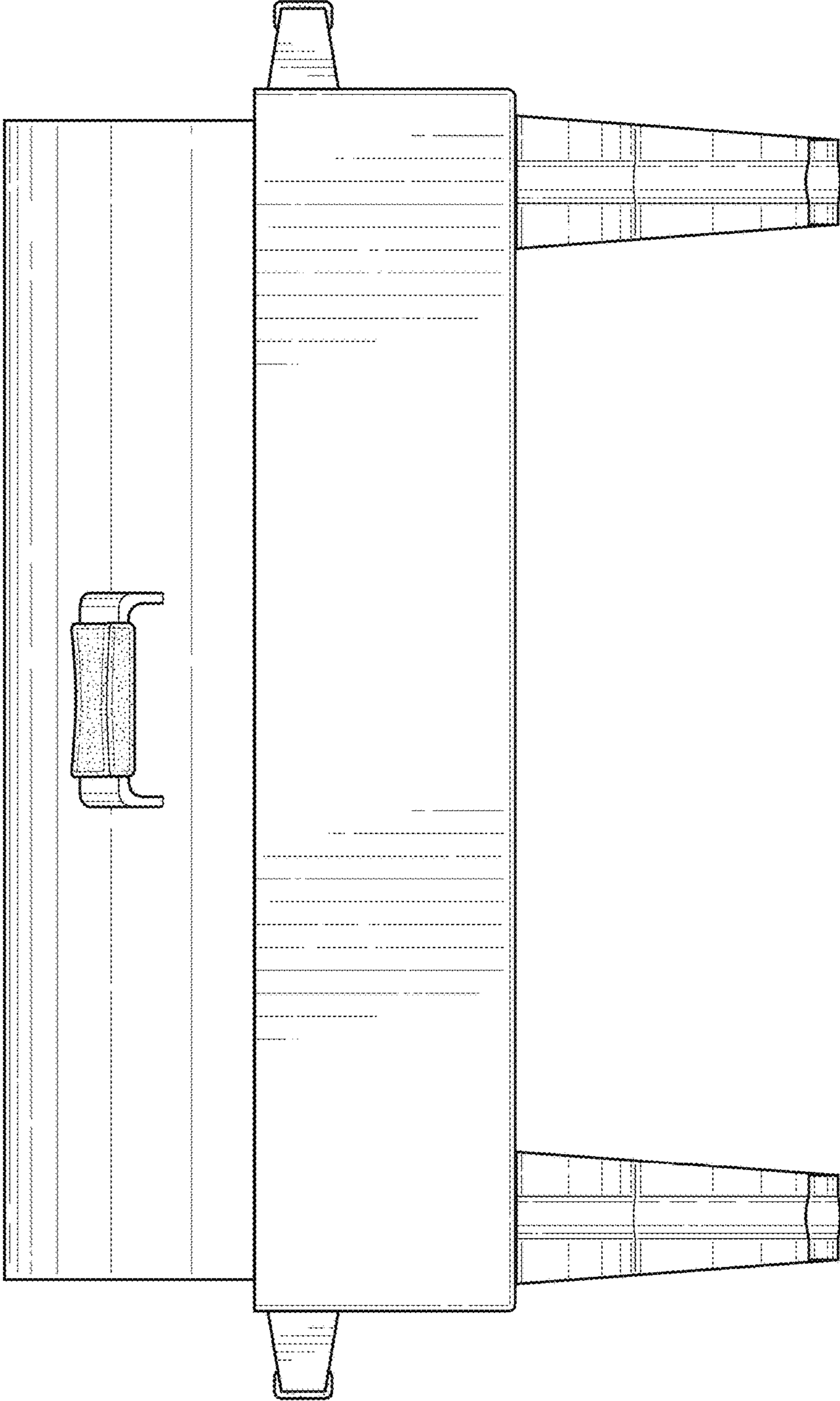


FIG. 2

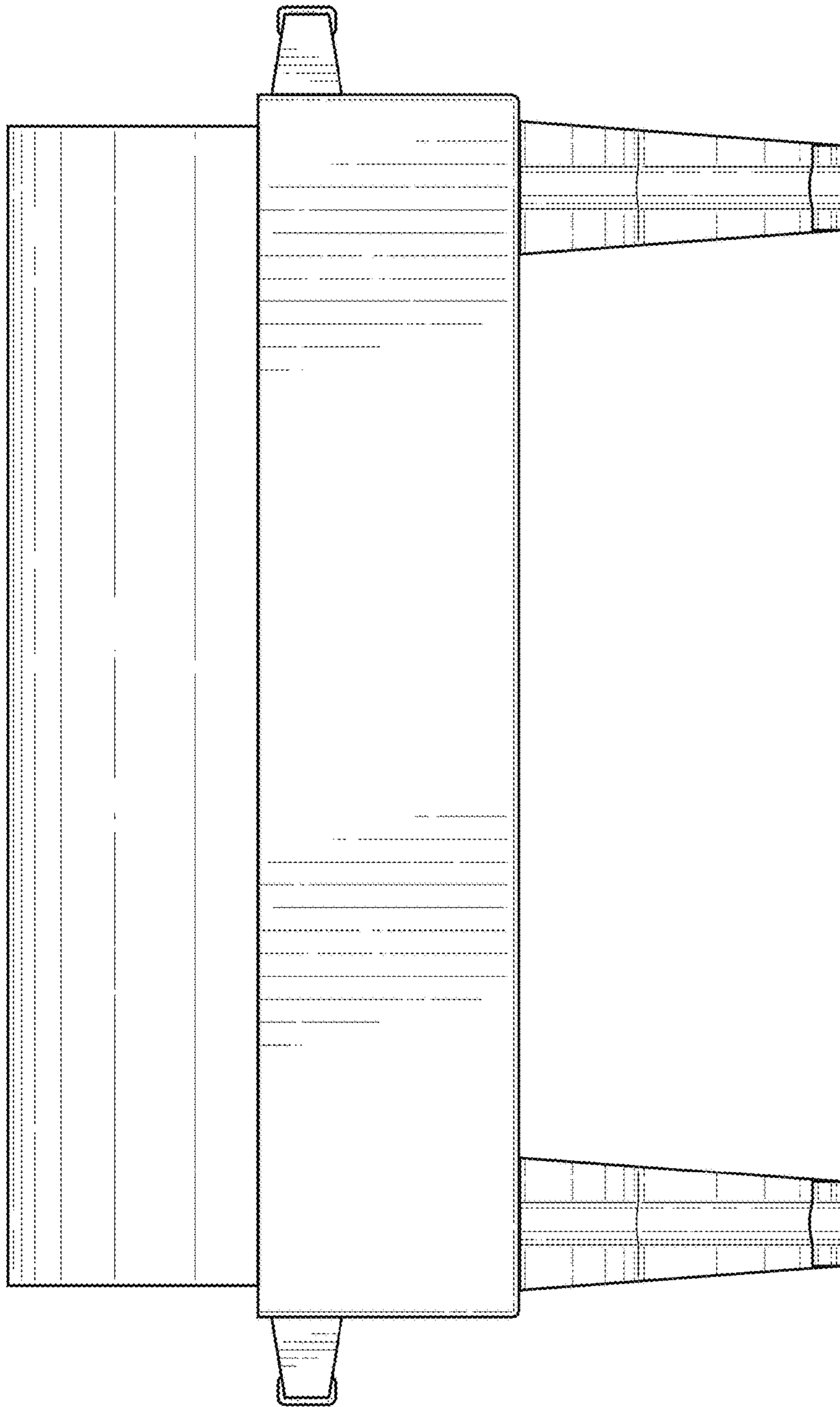


FIG. 3

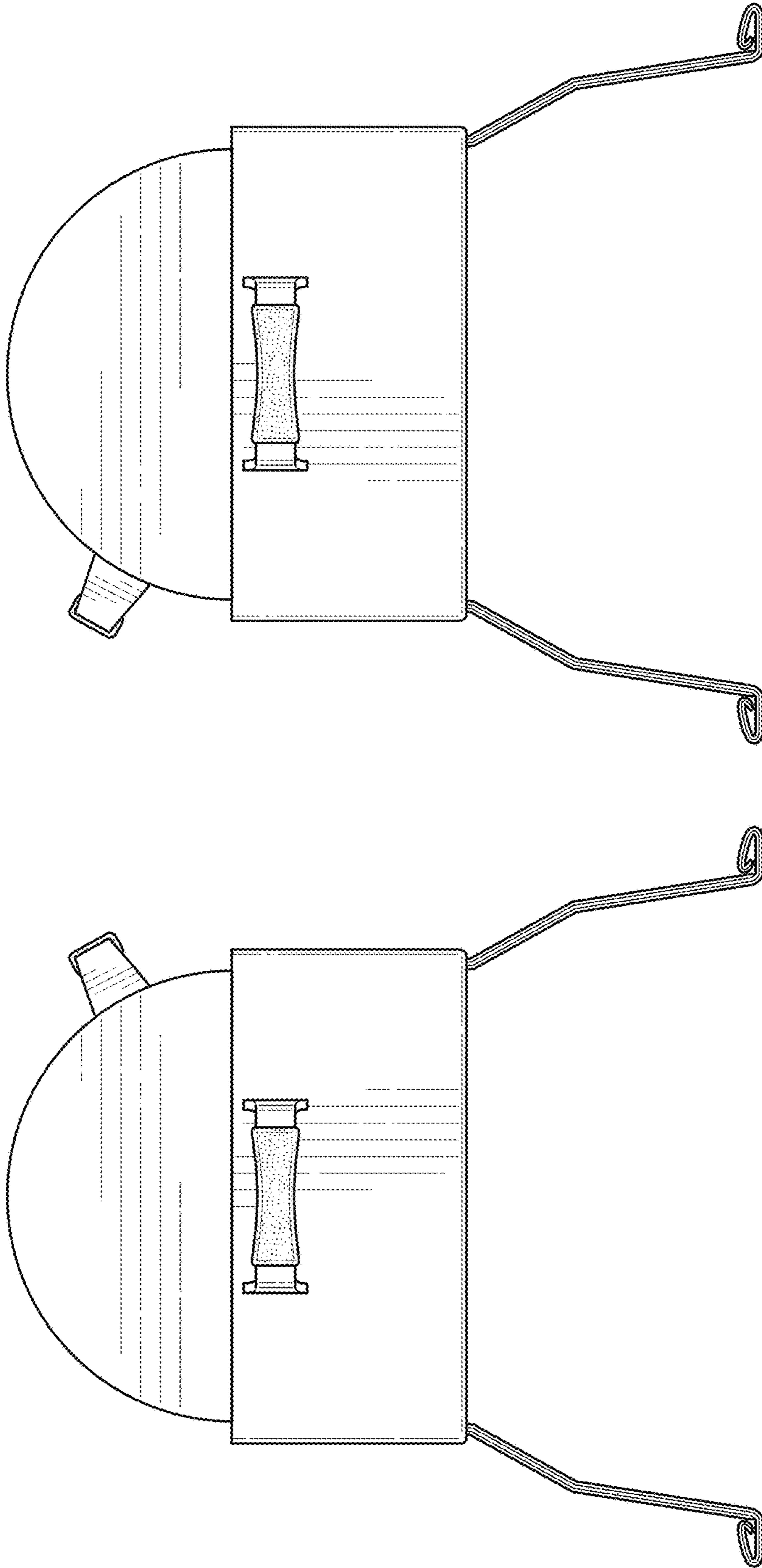


FIG. 5

FIG. 4

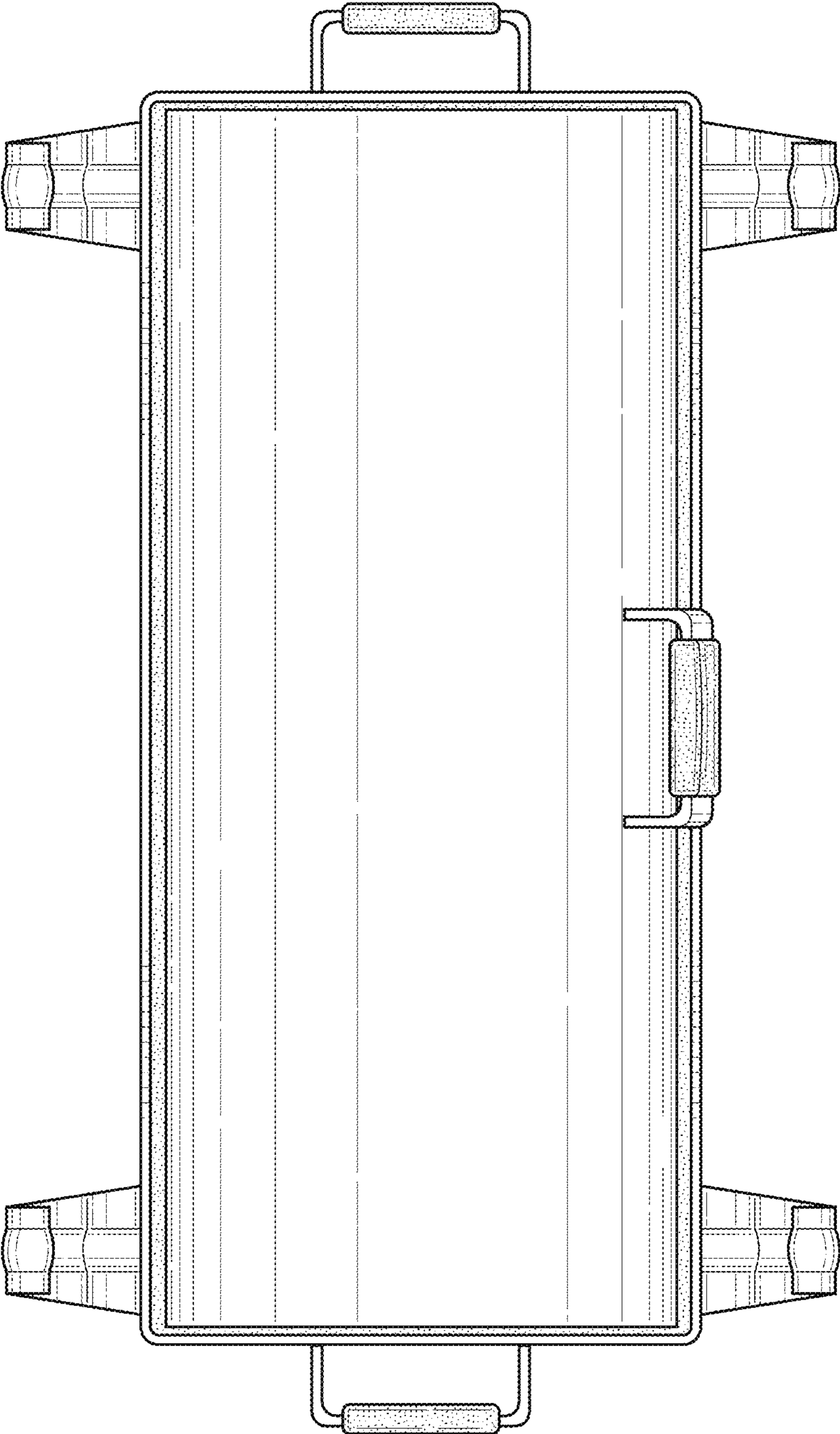


FIG. 6

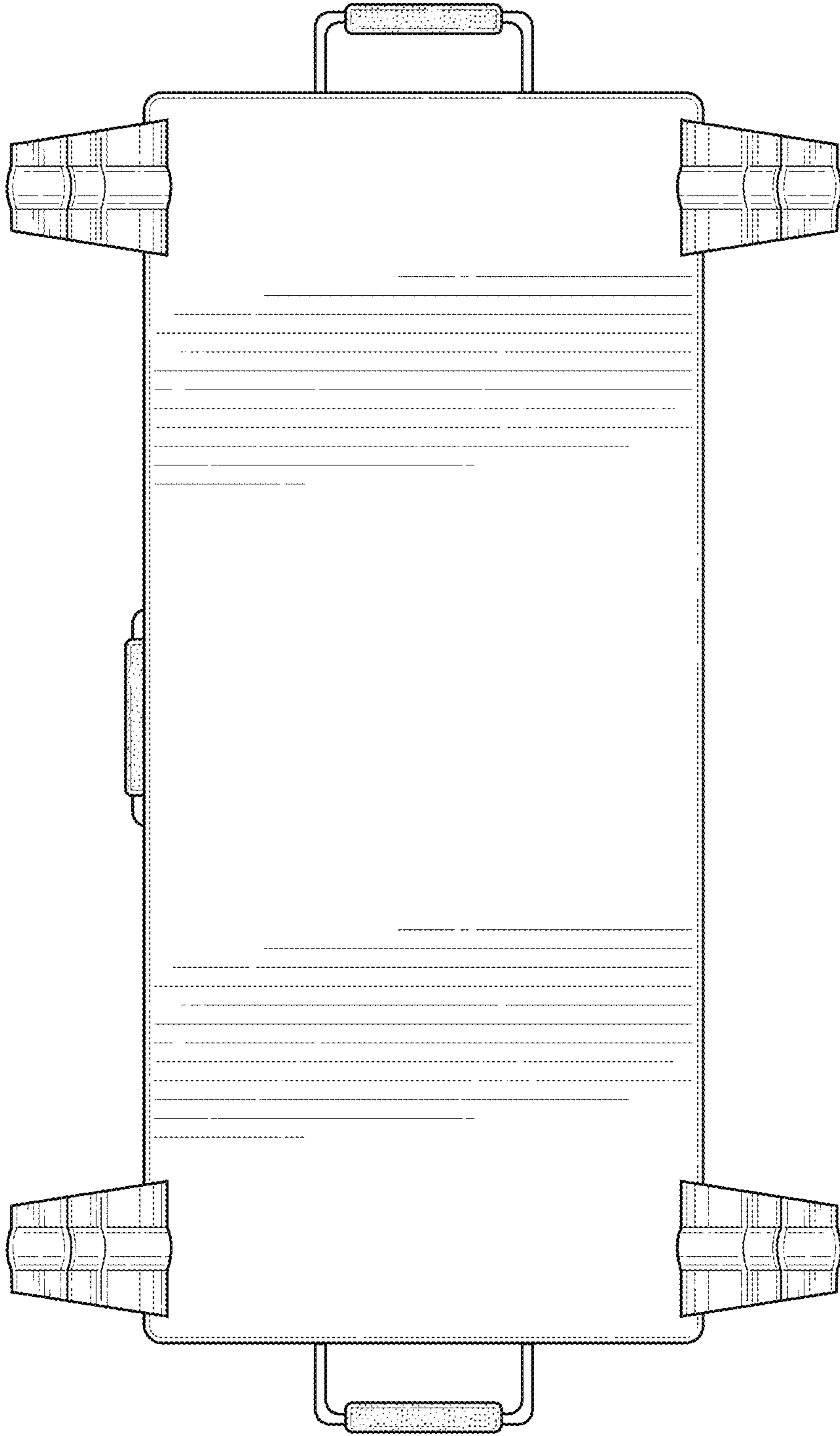


FIG. 7