



US00D825977S

(12) **United States Design Patent**
Maffei, Jr.

(10) **Patent No.:** **US D825,977 S**
(45) **Date of Patent:** **** Aug. 21, 2018**

- (54) **BEER CAN COOKING PAN**
- (71) Applicant: **Robert Maffei, Jr.**, Staten Island, NY (US)
- (72) Inventor: **Robert Maffei, Jr.**, Staten Island, NY (US)
- (**) Term: **15 Years**
- (21) Appl. No.: **29/615,253**
- (22) Filed: **Aug. 28, 2017**
- (51) **LOC (11) Cl.** **07-02**
- (52) **U.S. Cl.**
USPC **D7/354**
- (58) **Field of Classification Search**
USPC D7/323, 354-361, 409, 543, 545, 549, D7/550.1, 553.1-553.8, 554.1-554.4, 555, D7/557, 584, 586; D9/430-433, D9/455-456, 737, 756-762; D11/143, D11/152
CPC A21B 3/00; A21B 3/13; A21B 3/15; A21B 3/134; A21B 5/00; A21B 5/02; A47J 36/022; A47J 36/025; A47J 36/027; A47J 36/16; A47J 37/00; A47J 37/04; A47J 37/049; A47J 43/18; B65D 1/22; B65D 1/24; B65D 1/34; B65D 1/36; B65D 81/343; B65D 85/36; B65D 85/72
See application file for complete search history.

- 6,467,399 B1 * 10/2002 Boutte A47J 43/18 99/347
- 6,502,503 B1 * 1/2003 Bell, Jr. A47J 36/16 99/345
- 6,550,630 B1 * 4/2003 Krupa B65D 85/72 220/575
- D488,741 S * 4/2004 Moya D11/143
- D506,352 S * 6/2005 Dow D7/361
- D513,930 S * 1/2006 Novi D7/409
- D657,612 S * 4/2012 Cloutier D7/354
- D781,659 S * 3/2017 Kellow, Jr. D7/553.8
- 2012/0067902 A1 3/2012 Maffei

* cited by examiner

Primary Examiner — Ricky Pham
(74) *Attorney, Agent, or Firm* — Goldstein Law Offices, P.C.

(56) **References Cited**

U.S. PATENT DOCUMENTS

- 2,661,679 A * 12/1953 Van Guilder A21B 3/13 131/235.1
- 5,301,602 A * 4/1994 Ryczek A47J 43/18 99/345
- 5,575,198 A * 11/1996 Lowery A47J 43/18 99/426
- D453,488 S * 2/2002 McCauley D11/152
- 6,460,452 B1 * 10/2002 Hester A47J 37/049 99/347

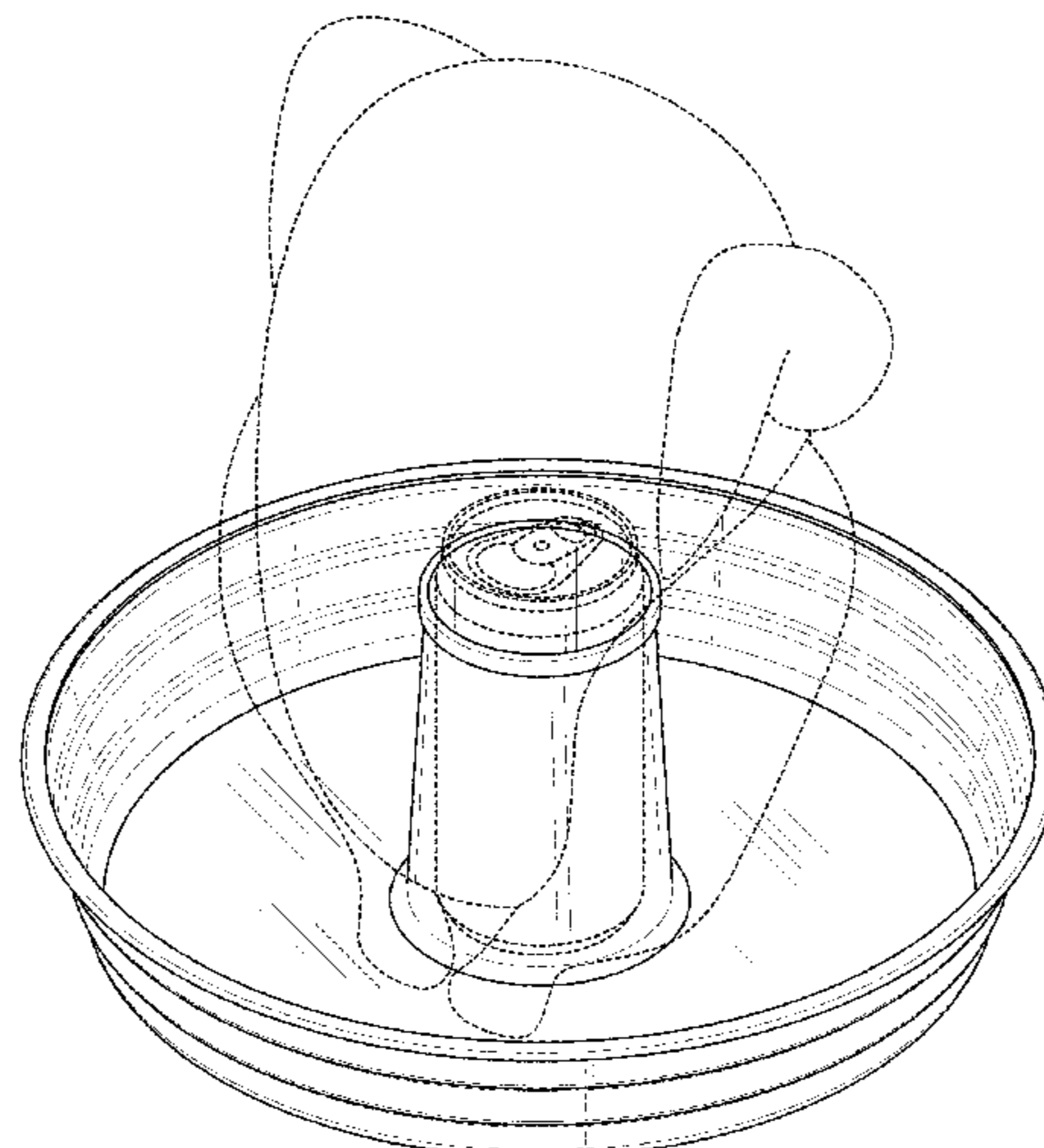
(57) **CLAIM**

The ornamental design for a beer can cooking pan, as shown and described.

DESCRIPTION

FIG. 1 is a perspective view of the beer can cooking pan in full lines.
 FIG. 2 is a front elevational view of the beer can cooking pan.
 FIG. 3 is a rear elevational view thereof.
 FIG. 4 is a top plan view thereof.
 FIG. 5 is a bottom plan view thereof.
 FIG. 6 is a right side elevational view thereof.
 FIG. 7 is a left side elevational view thereof.
 FIG. 8 is a second perspective view of the beer can cooking pan shown with environment; and,
 FIG. 9 is a third perspective view of the beer can cooking pan with environment.
 The broken lines showing in FIG. 8 and FIG. 9 are for the purpose of illustrating the environment of the article only and form no part of the claimed design.

1 Claim, 6 Drawing Sheets



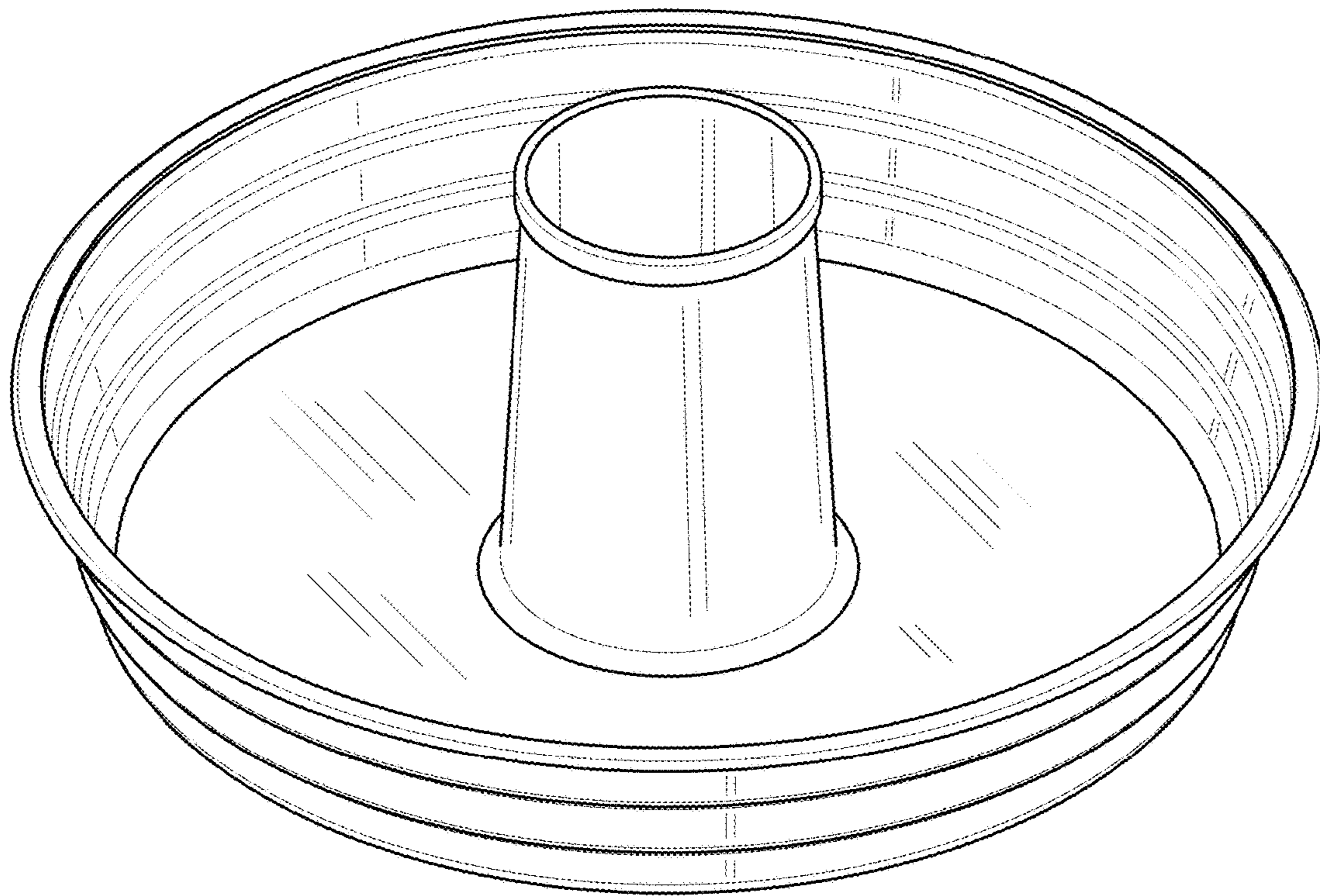


FIG. 1

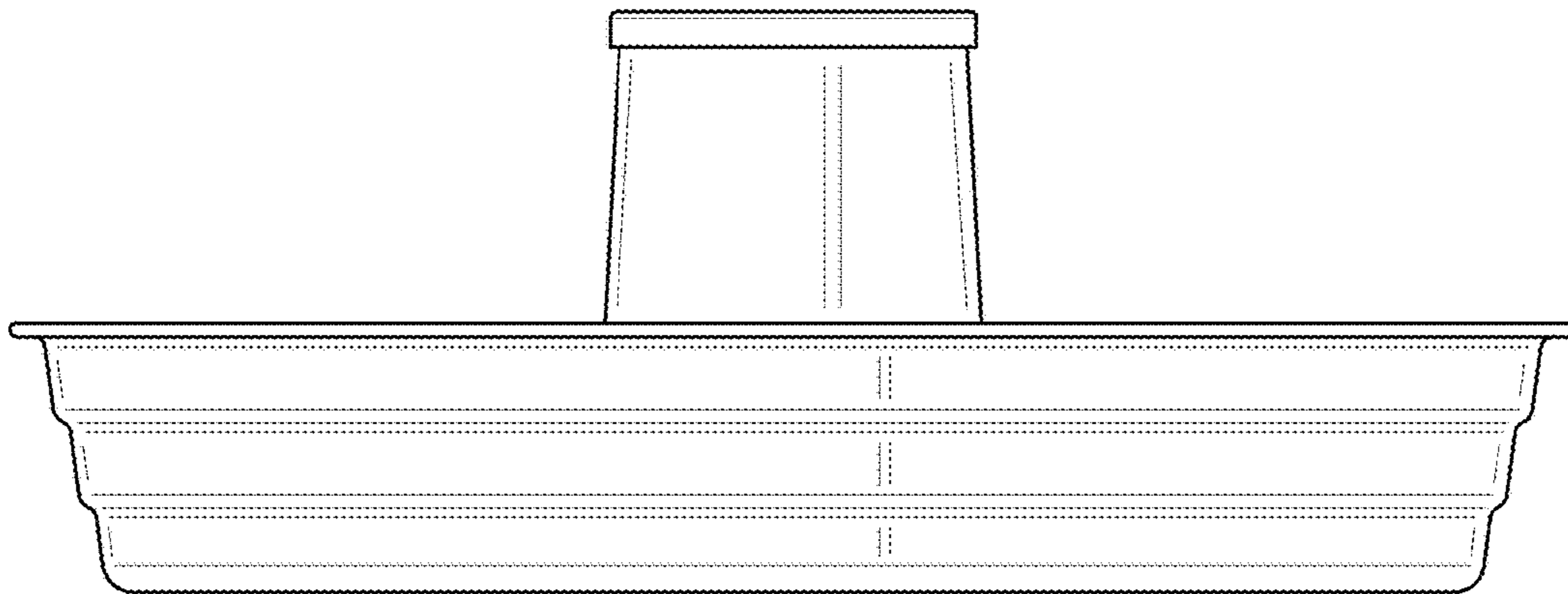


FIG. 2

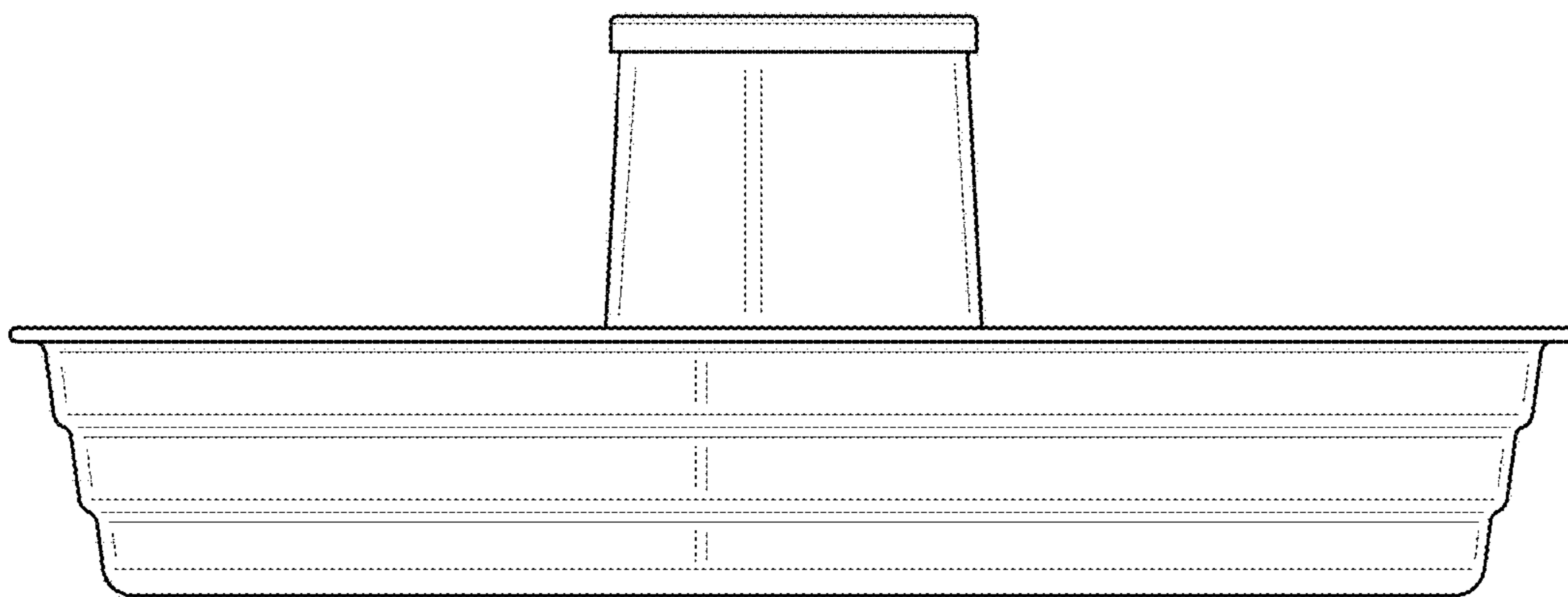


FIG. 3

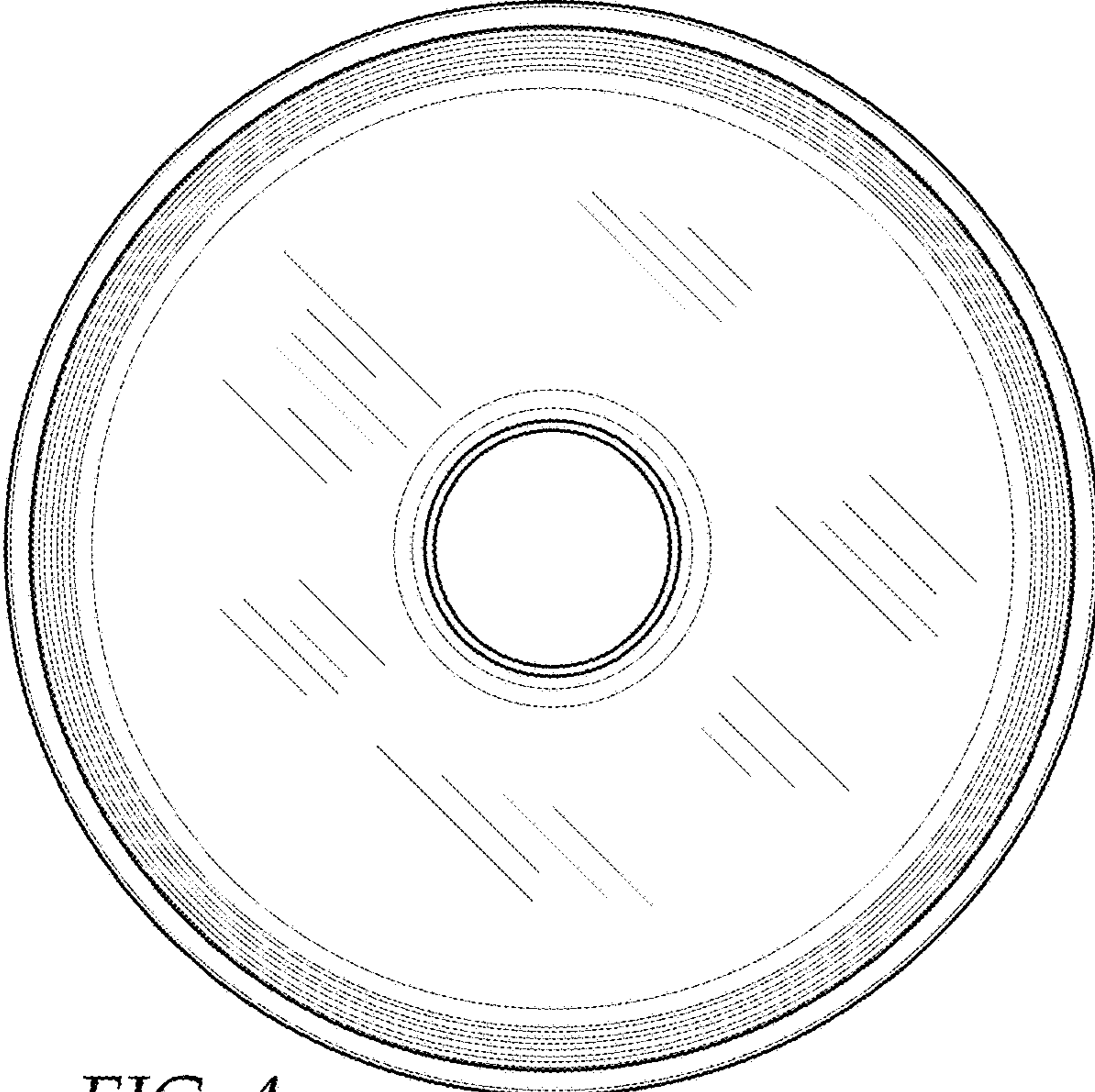


FIG. 4

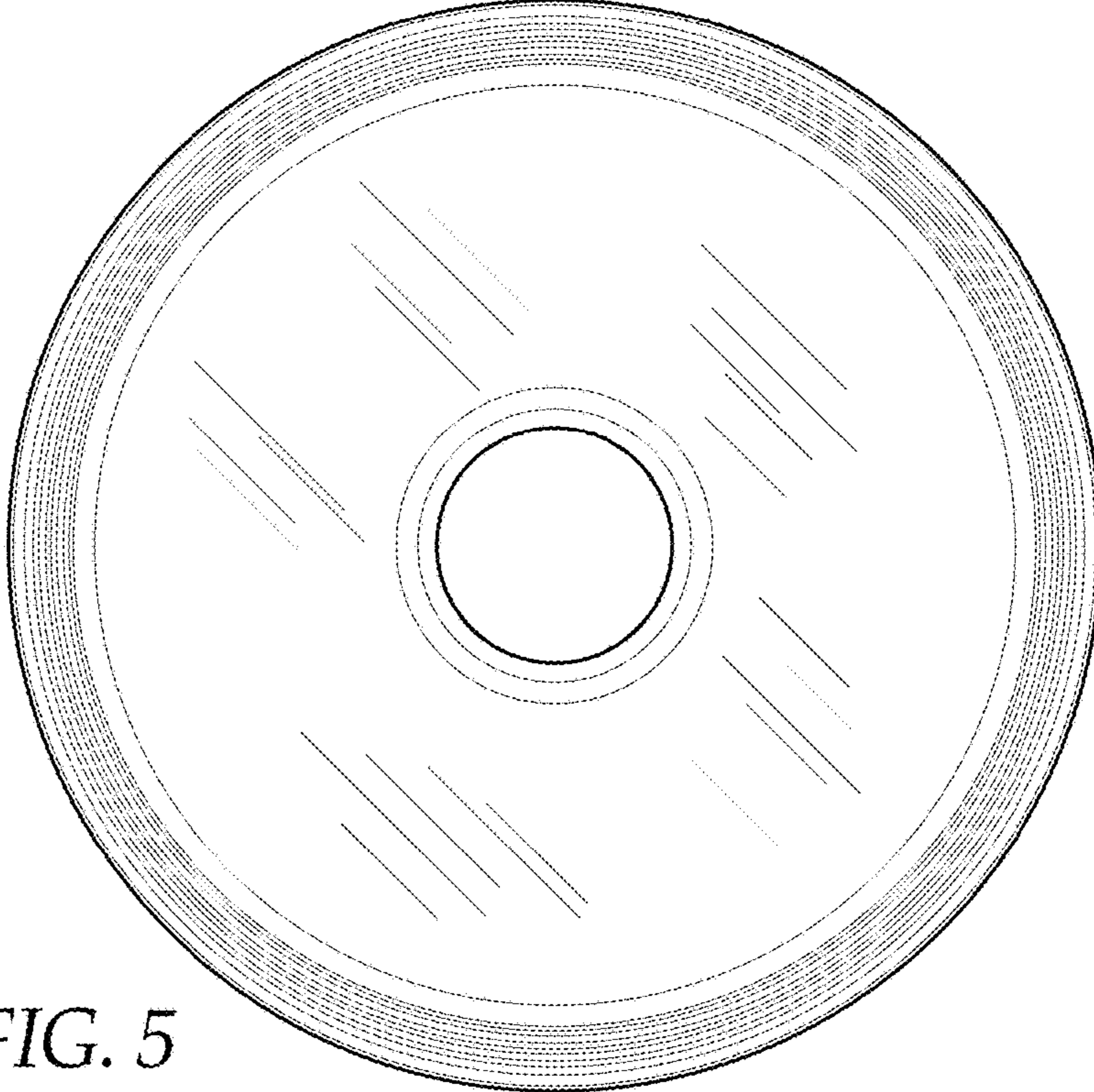


FIG. 5

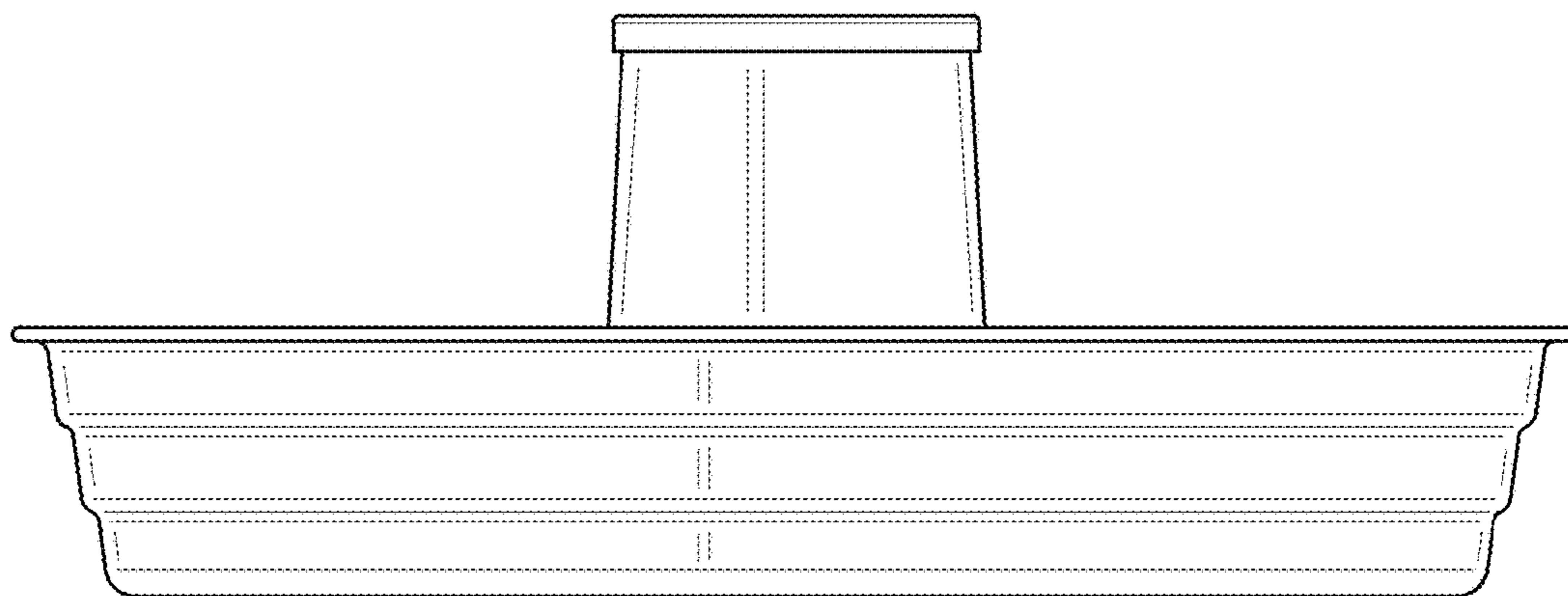


FIG. 6

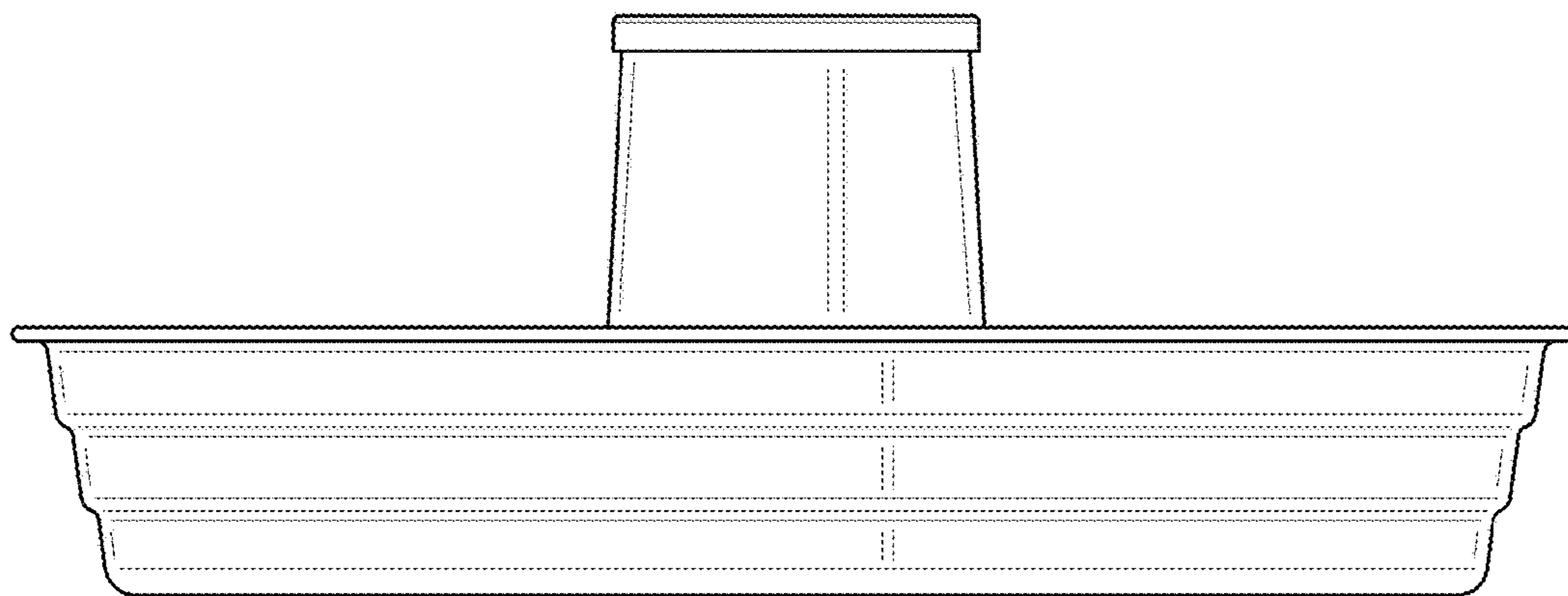


FIG. 7

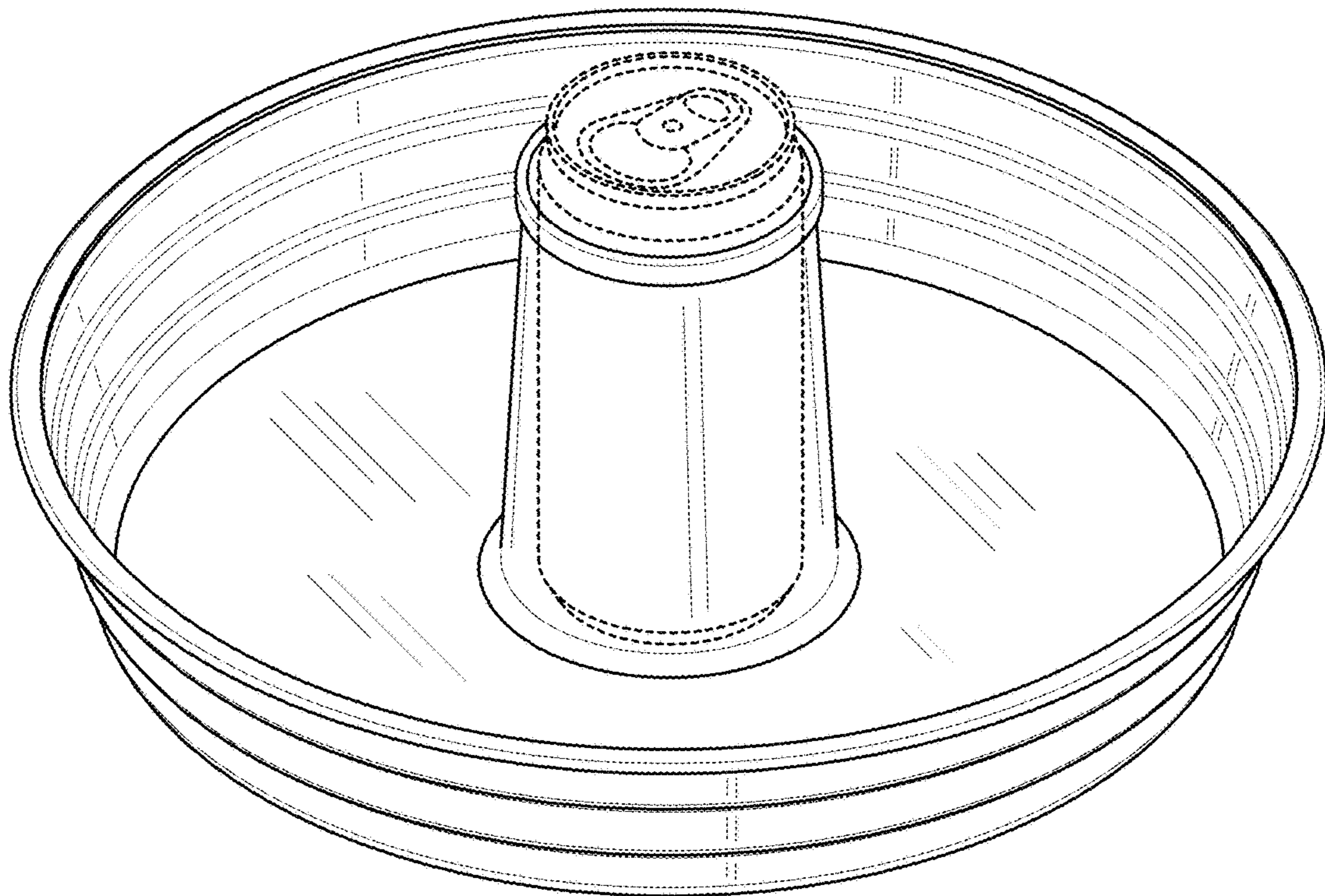


FIG. 8

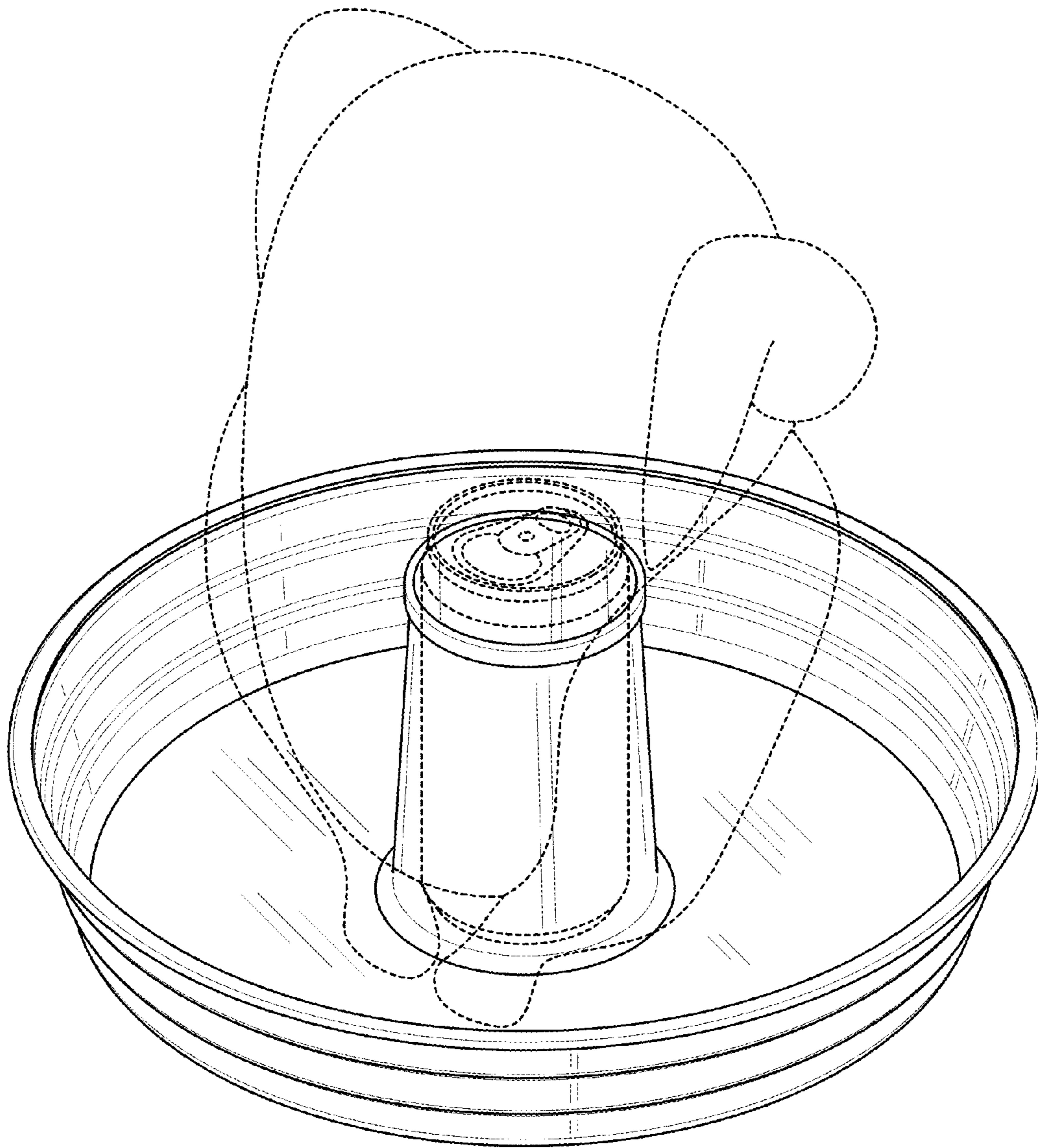


FIG. 9