



US00D825976S

(12) **United States Design Patent**  
**Liang et al.**

(10) **Patent No.:** **US D825,976 S**

(45) **Date of Patent:** **\*\* Aug. 21, 2018**

(54) **HEALTH GRILL**

(71) Applicant: **Ningbo Borine Electric Appliance Co., Ltd.**, Ningbo, Zhejiang (CN)

(72) Inventors: **Mingzhao Liang**, Zhejiang (CN);  
**Tushou Lin**, Zhejiang (CN)

(73) Assignee: **NINGBO BORINE ELECTRIC APPLIANCE CO., LTD.**, Ningbo (CN)

(\*\*) Term: **15 Years**

(21) Appl. No.: **29/609,030**

(22) Filed: **Jun. 27, 2017**

(30) **Foreign Application Priority Data**

May 4, 2017 (CN) ..... 2017 3 0159259

(51) **LOC (11) Cl.** ..... **07-02**

(52) **U.S. Cl.**  
USPC ..... **D7/352**

(58) **Field of Classification Search**  
USPC ..... D7/332-337, 352, 402-411, 362-364  
CPC ..... A47J 37/0713; A47J 37/0763; A47J 37/0611; A47J 37/0704; A47J 37/0777; A47J 37/0786; A47J 37/06; A47J 33/00; A47J 37/0617; A47J 37/0676  
See application file for complete search history.

(56) **References Cited**

**U.S. PATENT DOCUMENTS**

D546,619 S \* 7/2007 McHutchison ..... D7/352  
D588,858 S \* 3/2009 Tetreault ..... D7/352

D714,092 S \* 9/2014 Verbrugge ..... D7/352  
8,915,178 B2 \* 12/2014 Chen ..... A47J 37/0611  
99/349  
D766,645 S \* 9/2016 Koszylko ..... D7/352  
2005/0139086 A1 \* 6/2005 McHutchison ..... A47J 37/0611  
99/389  
2007/0017384 A1 \* 1/2007 Serra ..... A47J 37/0611  
99/372  
2009/0308260 A1 \* 12/2009 Trost ..... A47J 37/0611  
99/349

\* cited by examiner

*Primary Examiner* — Freda S Nunn

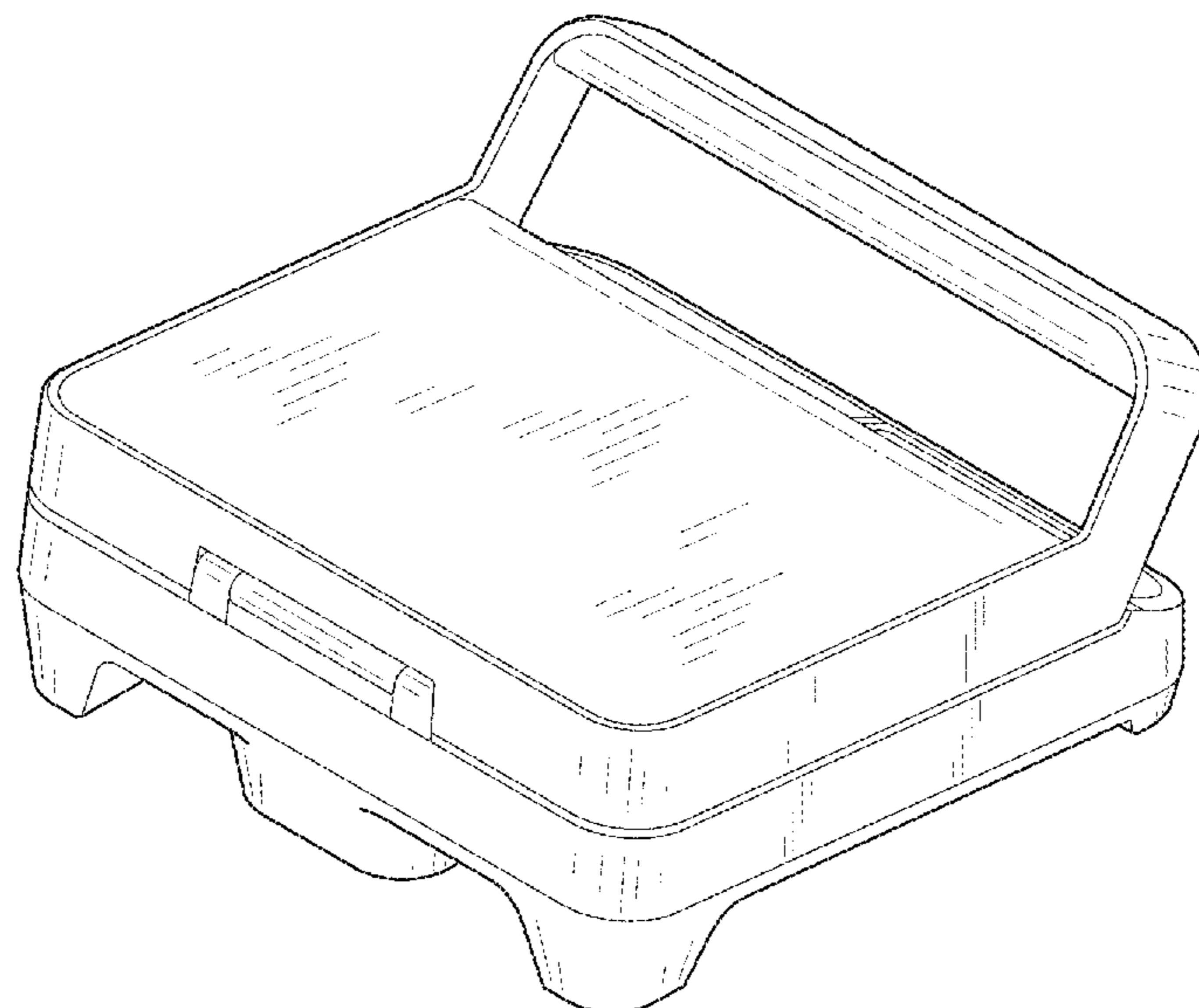
(57) **CLAIM**

The ornamental design for a health grill, as shown and described.

**DESCRIPTION**

FIG. 1 is a front elevational view of a health grill showing our new design;  
FIG. 2 is a rear elevational view thereof;  
FIG. 3 is a left side view thereof;  
FIG. 4 is a right side view thereof;  
FIG. 5 is a top plan view thereof;  
FIG. 6 is a bottom plan view thereof;  
FIG. 7 is a first perspective view thereof;  
FIG. 8 is a second perspective view thereof; and,  
FIG. 9 is a third perspective view thereof.  
The diagonal lines in the drawings indicate transparency.

**1 Claim, 7 Drawing Sheets**



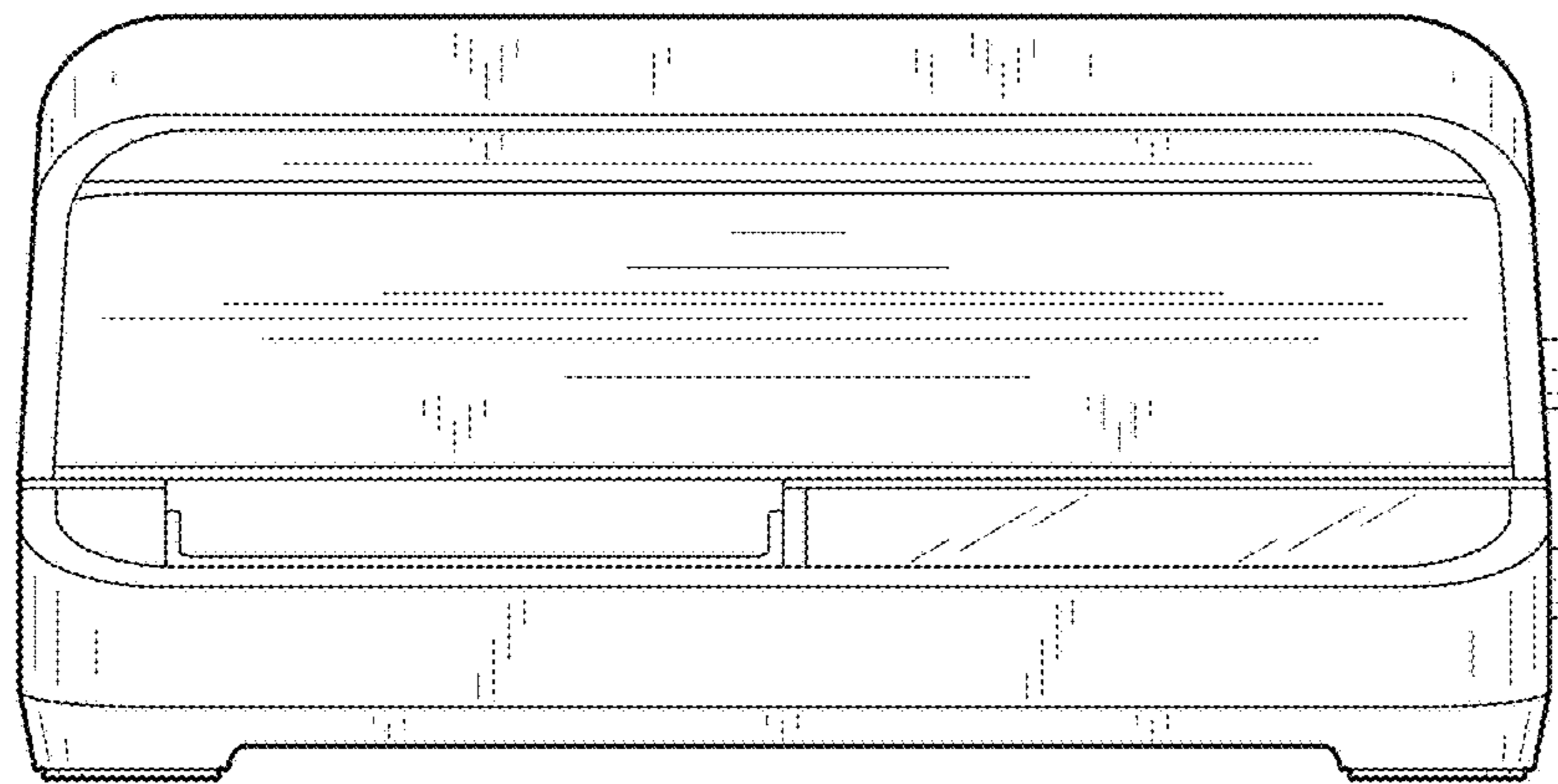


Fig. 1

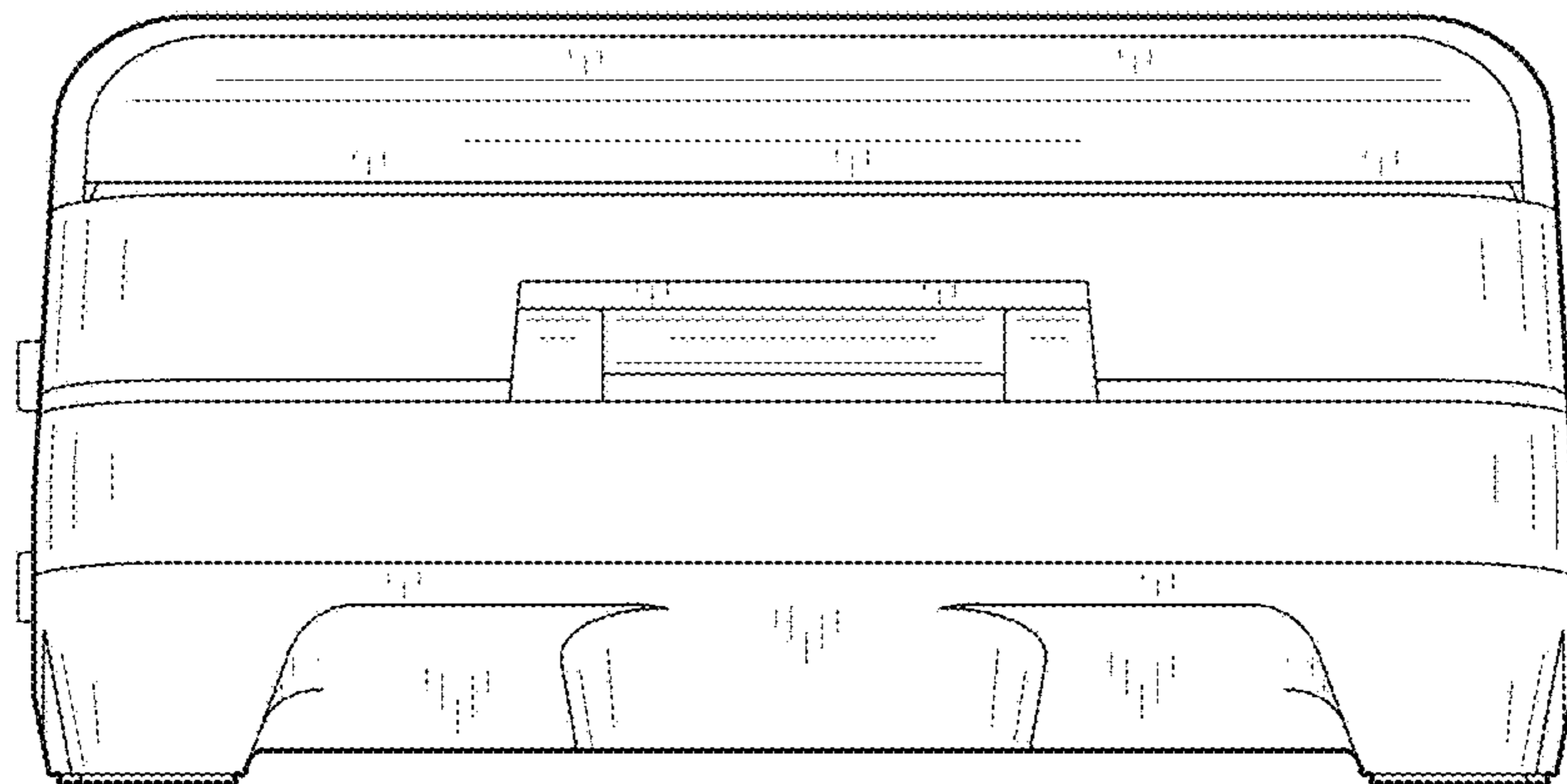


Fig. 2

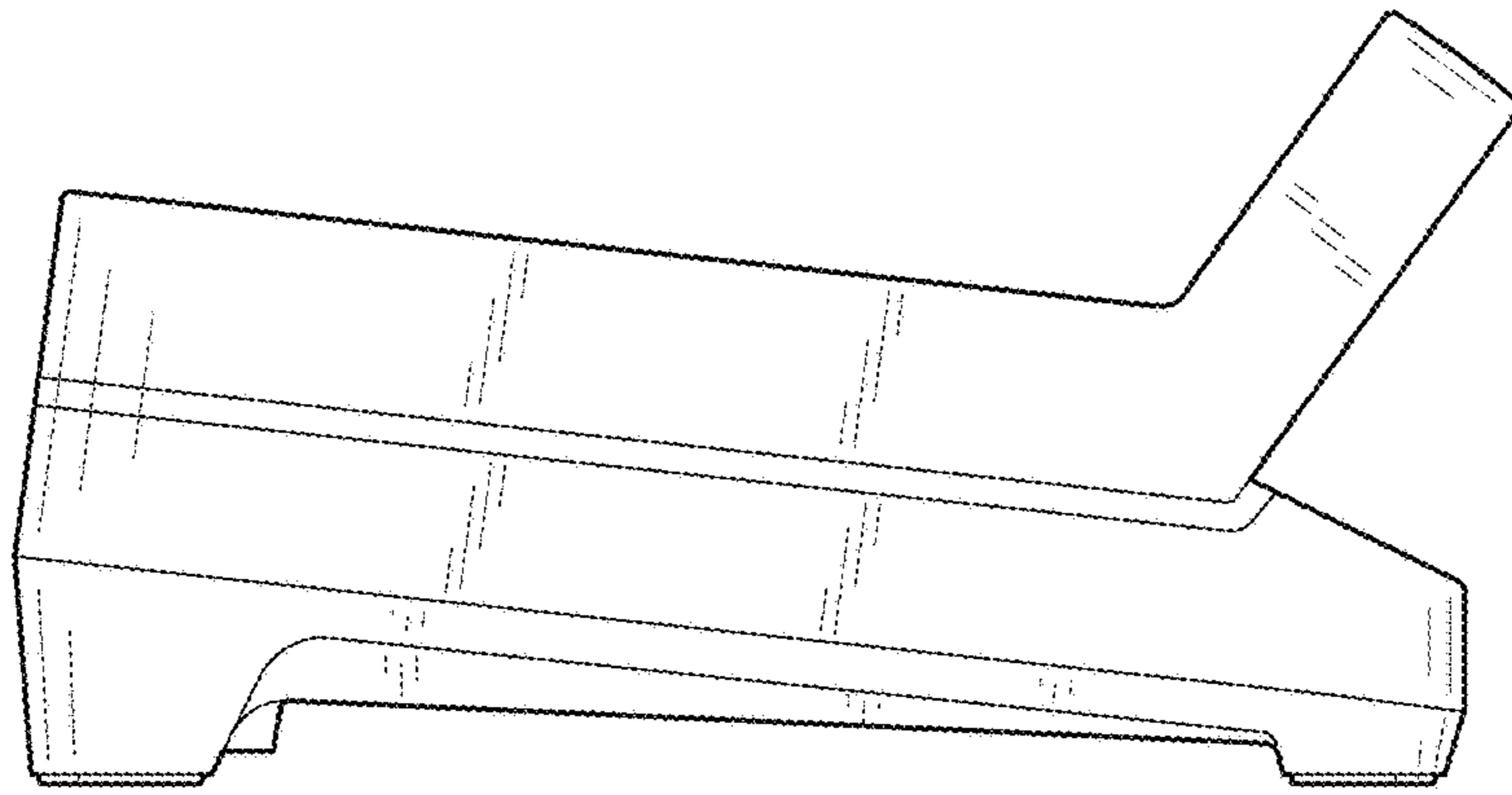


Fig. 3

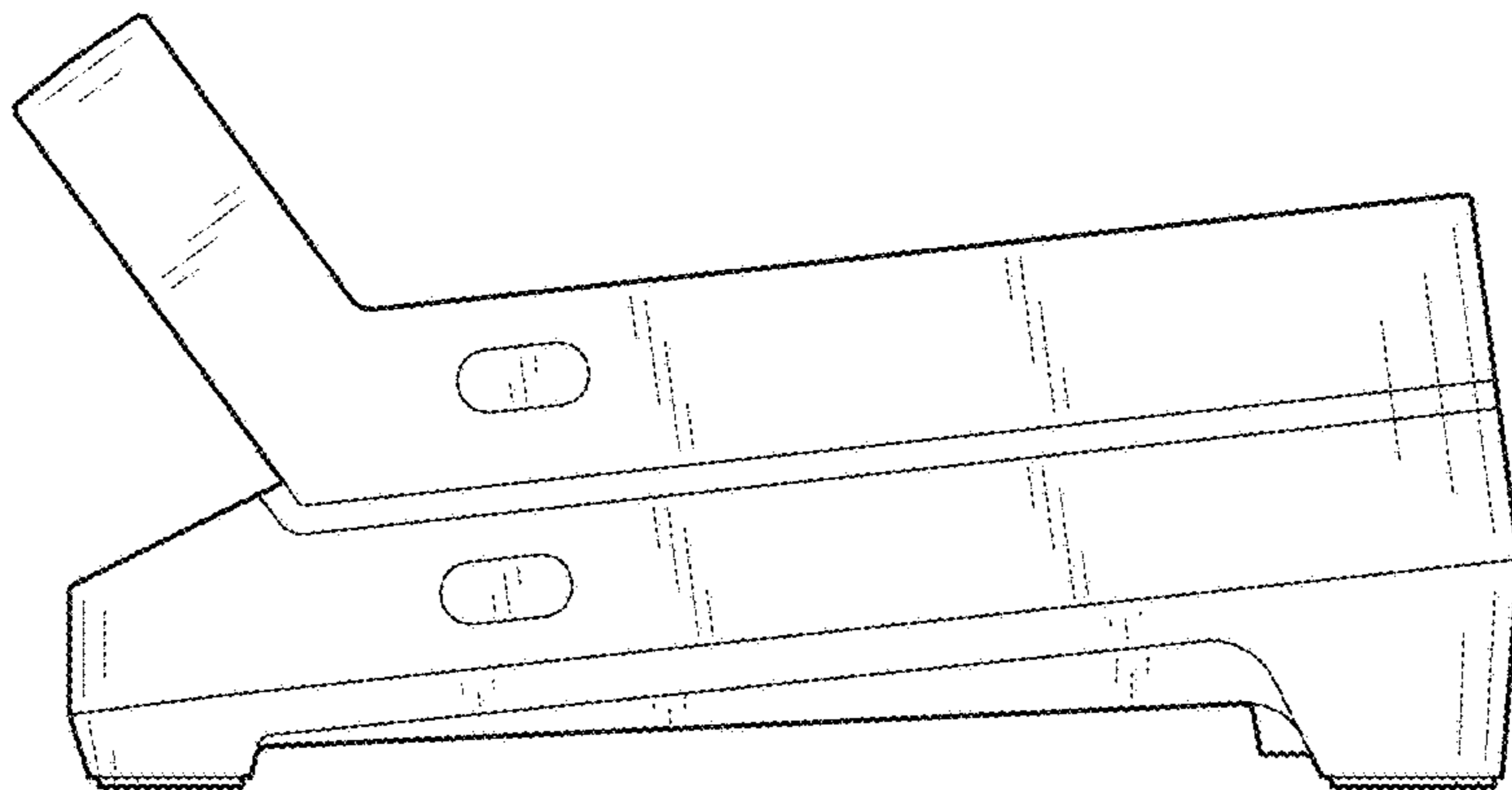


Fig. 4

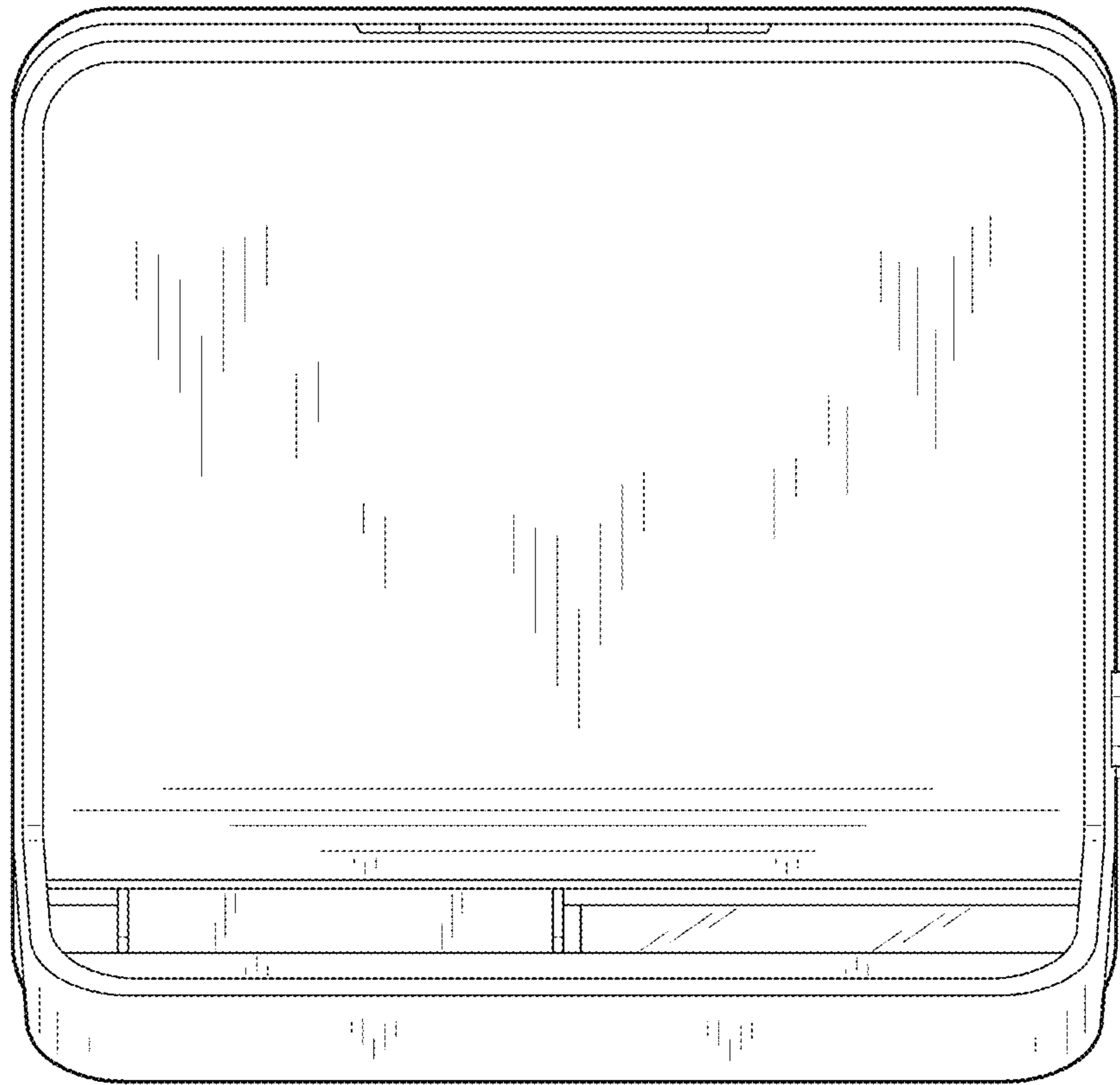


Fig. 5

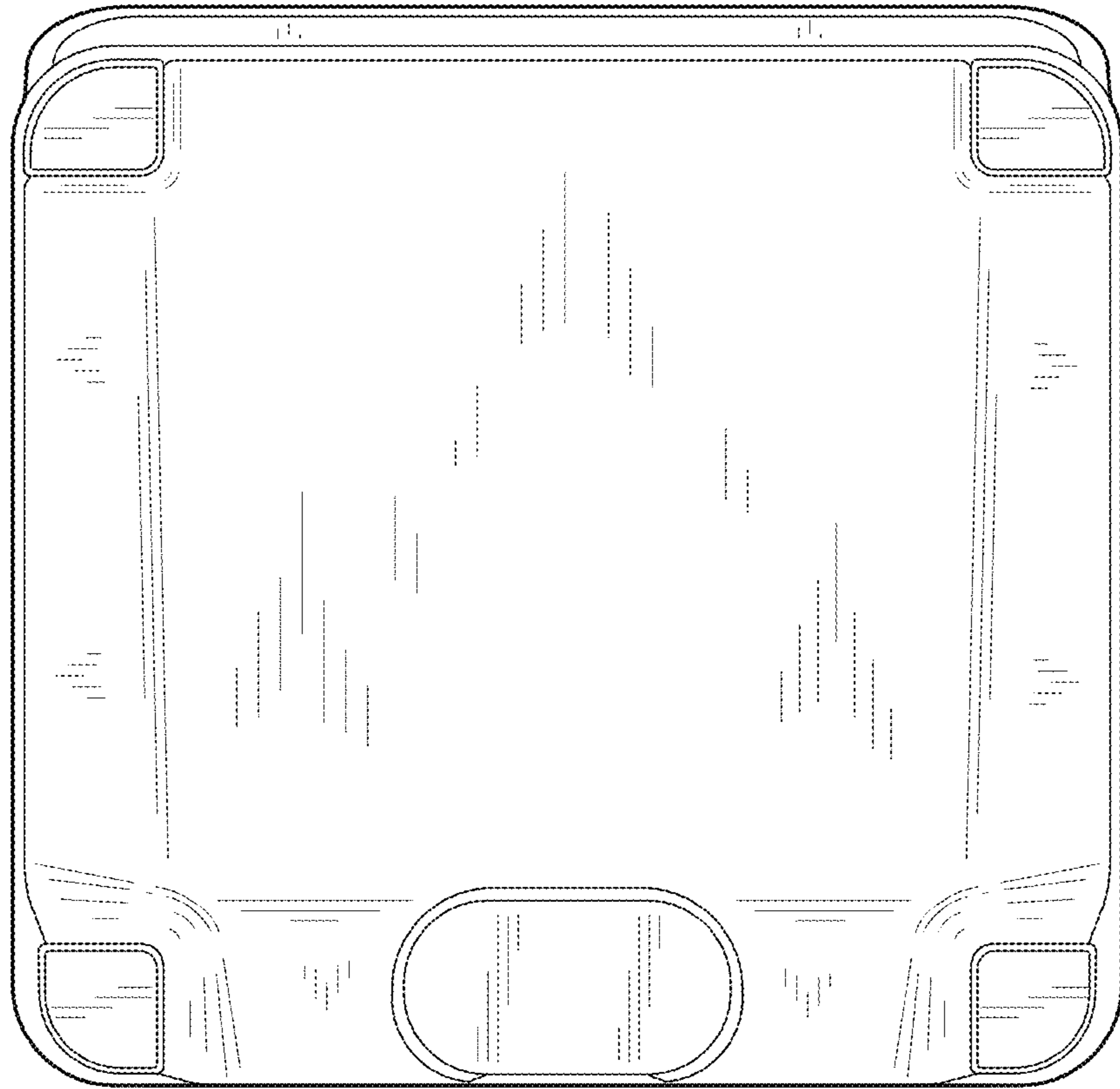


Fig. 6

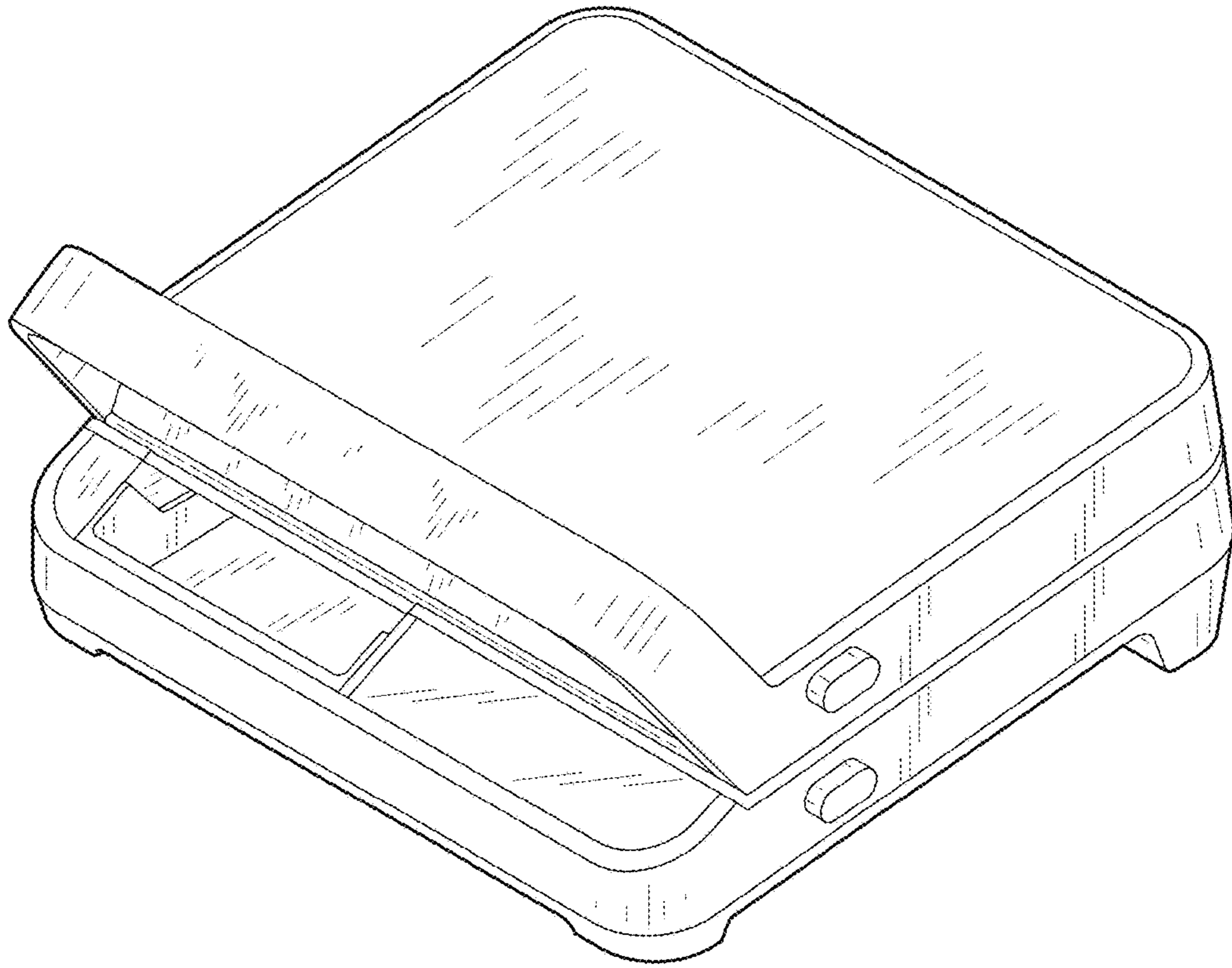


Fig. 7



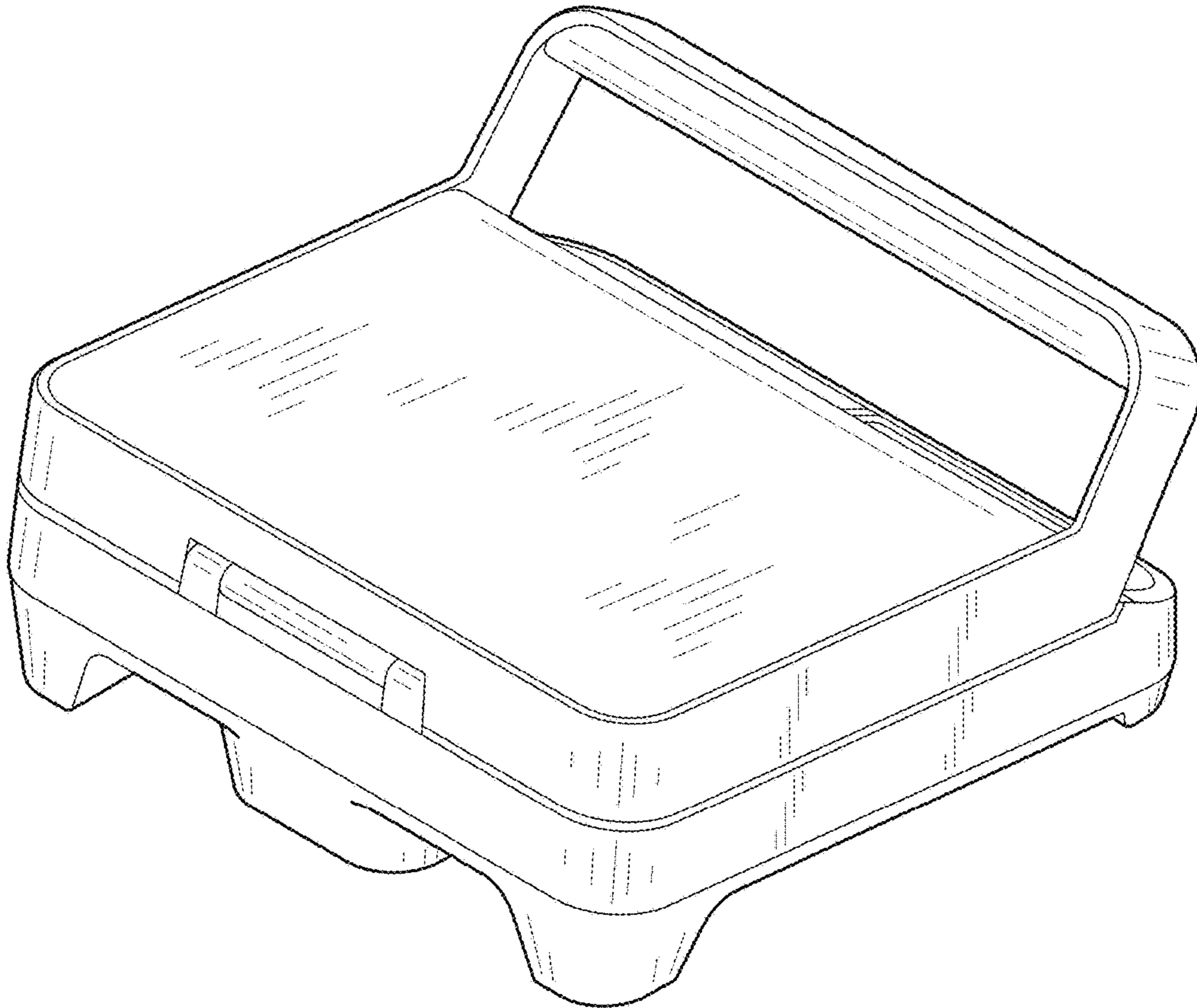


Fig. 8

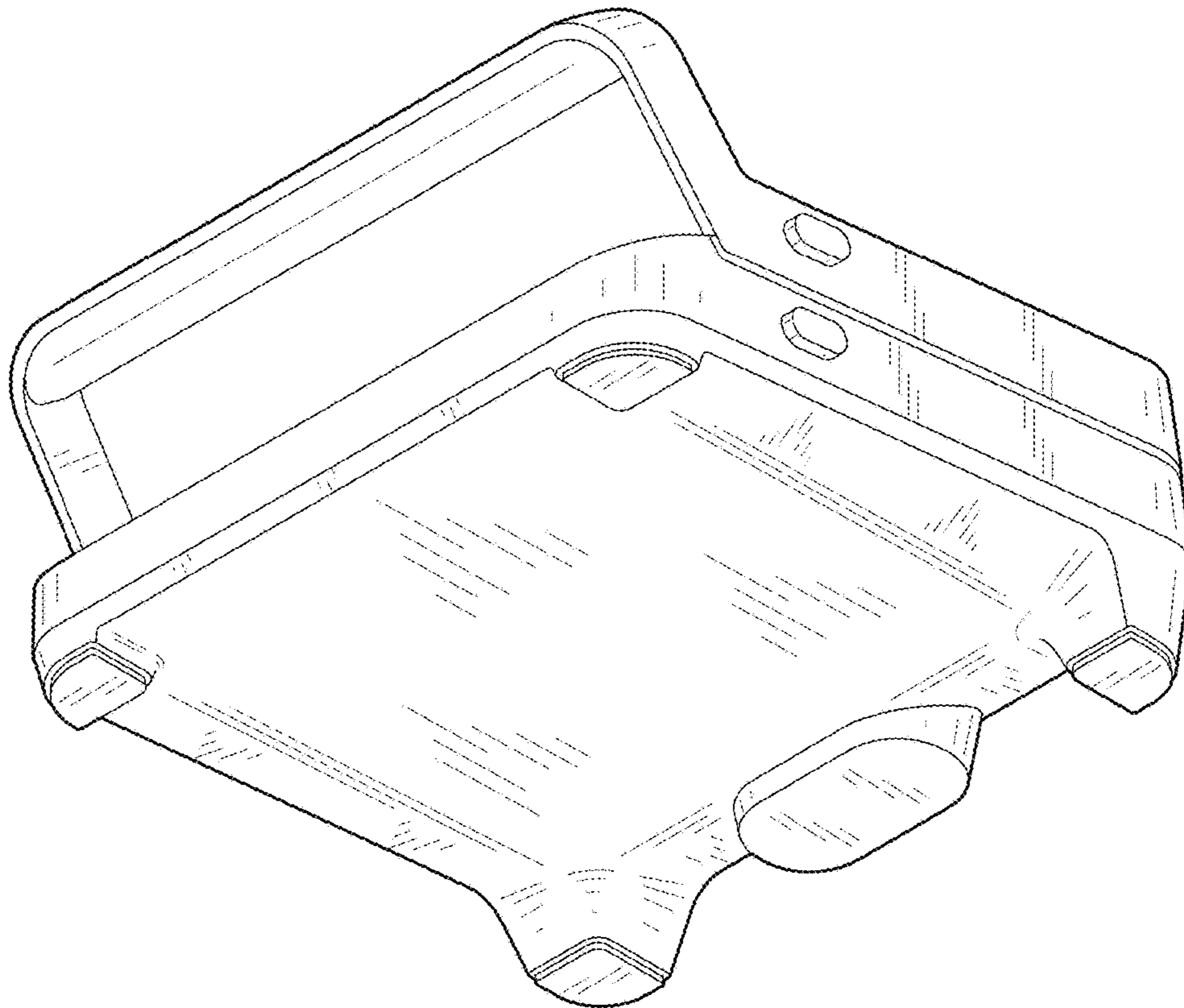


Fig. 9