



US00D825975S

(12) **United States Design Patent** (10) **Patent No.:** **US D825,975 S**
Jaggard et al. (45) **Date of Patent:** **** Aug. 21, 2018**

(54) **GRILL** 6,098,611 A * 8/2000 Fillmore A47J 37/0682
 126/30
 (71) Applicant: **TCG PARTNERS, LLC—INTELLECTUAL PROPERTY SERIES**, Houston, TX (US)
 D524,592 S * 7/2006 Brunner D7/332
 D638,654 S * 5/2011 Plott D7/332
 D679,936 S * 4/2013 Chung D7/332
 D702,986 S * 4/2014 Tomalin-Reeves D7/332
 D773,229 S * 12/2016 Jaggard D7/334
 D791,527 S * 7/2017 Jaggard D7/334
 2009/0194091 A1 * 8/2009 Dong A47J 37/0704
 126/25 R

(72) Inventors: **Hunter Ryan Jaggard**, Katy, TX (US);
Griffin Tyler Jaggard, Katy, TX (US);
Stephen Hunter Jaggard, Houston, TX (US);
Stephen Paul Dunn, Houston, TX (US)

(73) Assignee: **TCG Partner LLC—Patent Series**, Houston, TX (US)

(**) Term: **15 Years**

(21) Appl. No.: **29/589,013**

(22) Filed: **Dec. 27, 2016**

(51) **LOC (11) Cl.** **07-02**

(52) **U.S. Cl.**
 USPC **D7/334**

(58) **Field of Classification Search**
 USPC D7/332–337, 402–405
 CPC A47J 37/0704; A47J 37/04; A47J 37/067;
 A47J 37/0731; A47J 37/0763; A47J
 2037/0777; A47J 37/0713; A47J 37/0786;
 A47J 37/0682; A47J 37/0676; A23B
 4/044; A23B 4/052; F24B 1/181
 See application file for complete search history.

(56) **References Cited**

U.S. PATENT DOCUMENTS

4,809,671 A * 3/1989 Vallejo, Jr. F24C 3/14
 126/25 R
 D386,936 S * 12/1997 Stone D7/332

* cited by examiner

Primary Examiner — Susan Bennett Hattan

Assistant Examiner — Brett Miller

(74) *Attorney, Agent, or Firm* — Dossey & Jones, PLLC;
 Phillip Black; James P. Dossey

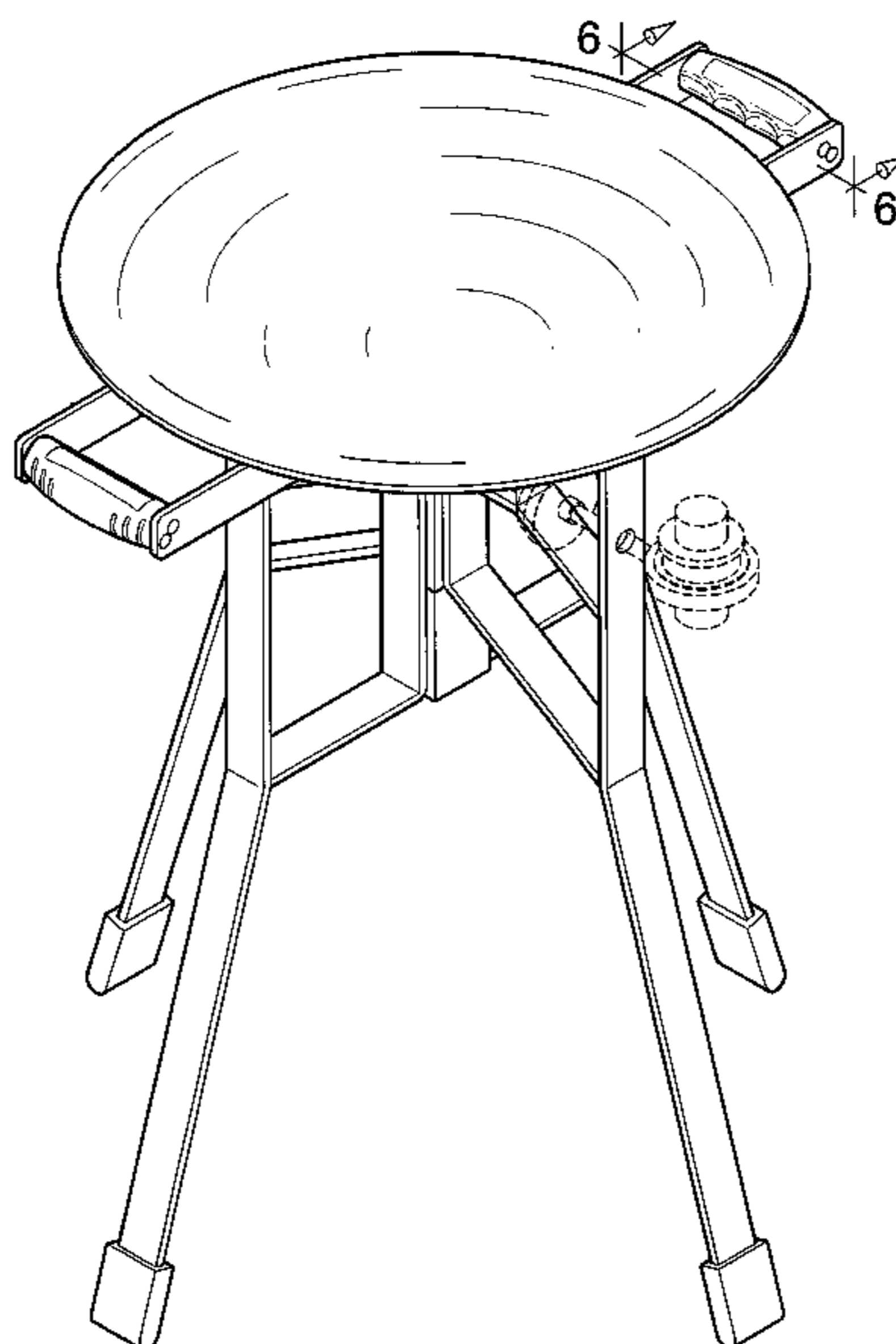
(57) **CLAIM**

The ornamental design for a grill, as shown and described.

DESCRIPTION

FIG. 1 is a frontal isometric view of an embodiment of the grill disclosed herein;
 FIG. 2 is a front view of the grill of FIG. 1;
 FIG. 3 is a back view of the grill of FIG. 1;
 FIG. 4 is a top view of the grill of FIG. 1;
 FIG. 5 is a bottom view of the grill of FIG. 1; and,
 FIG. 6 is a frontal isometric sectional view taken from the line 6-6 shown in FIG. 1.
 The broken lines depict environment and do not form a part of the claimed design.

1 Claim, 5 Drawing Sheets



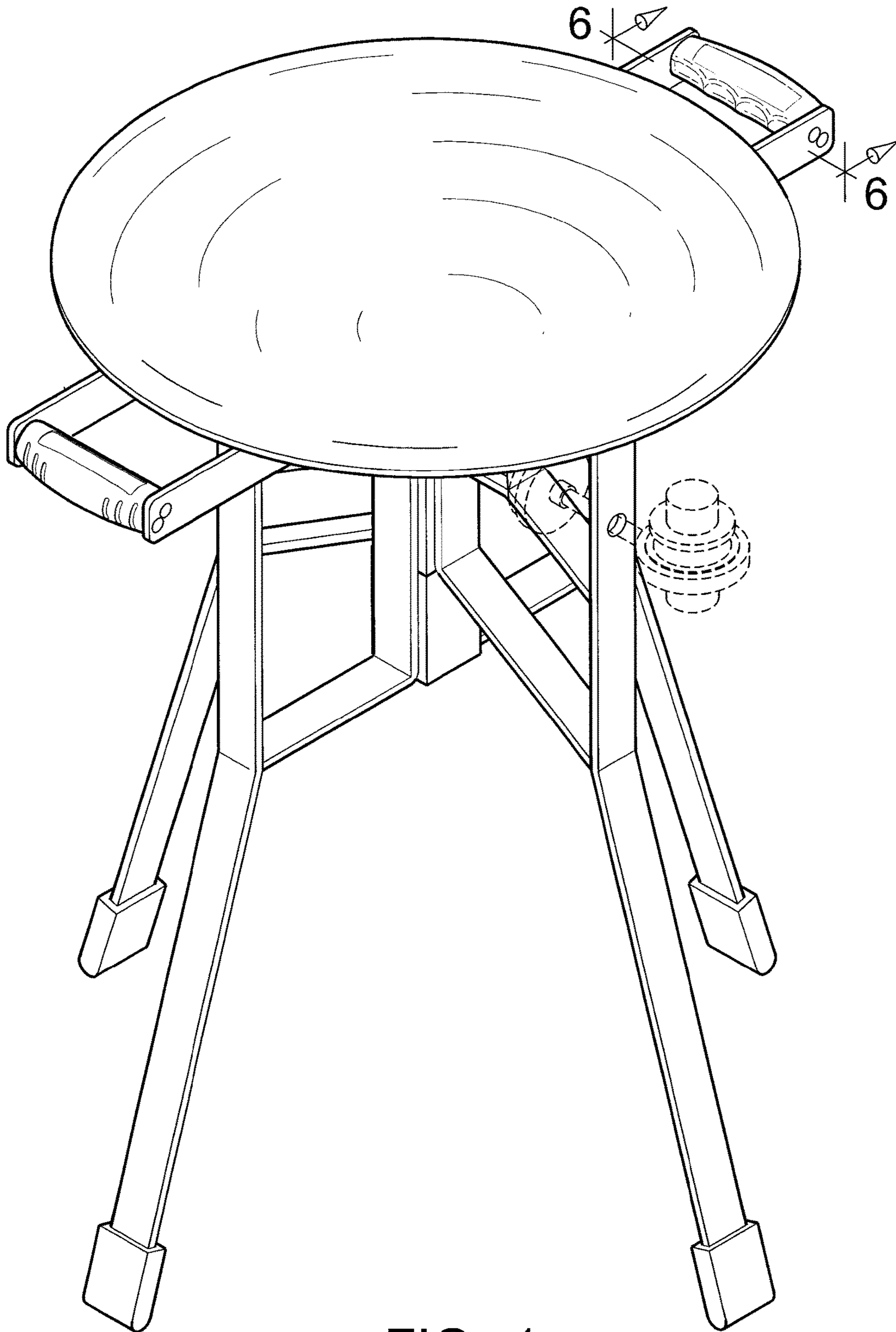


FIG. 1

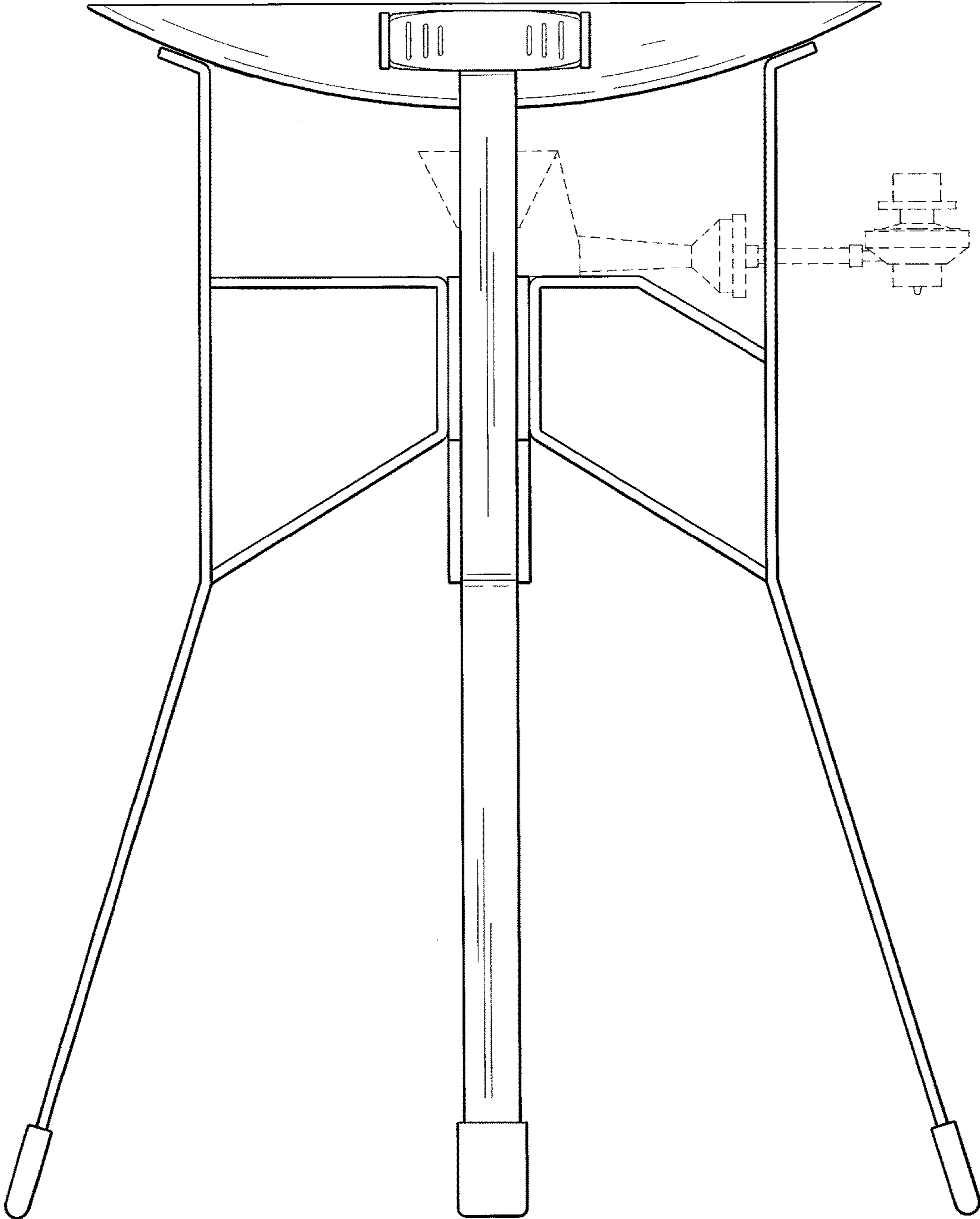


FIG. 2

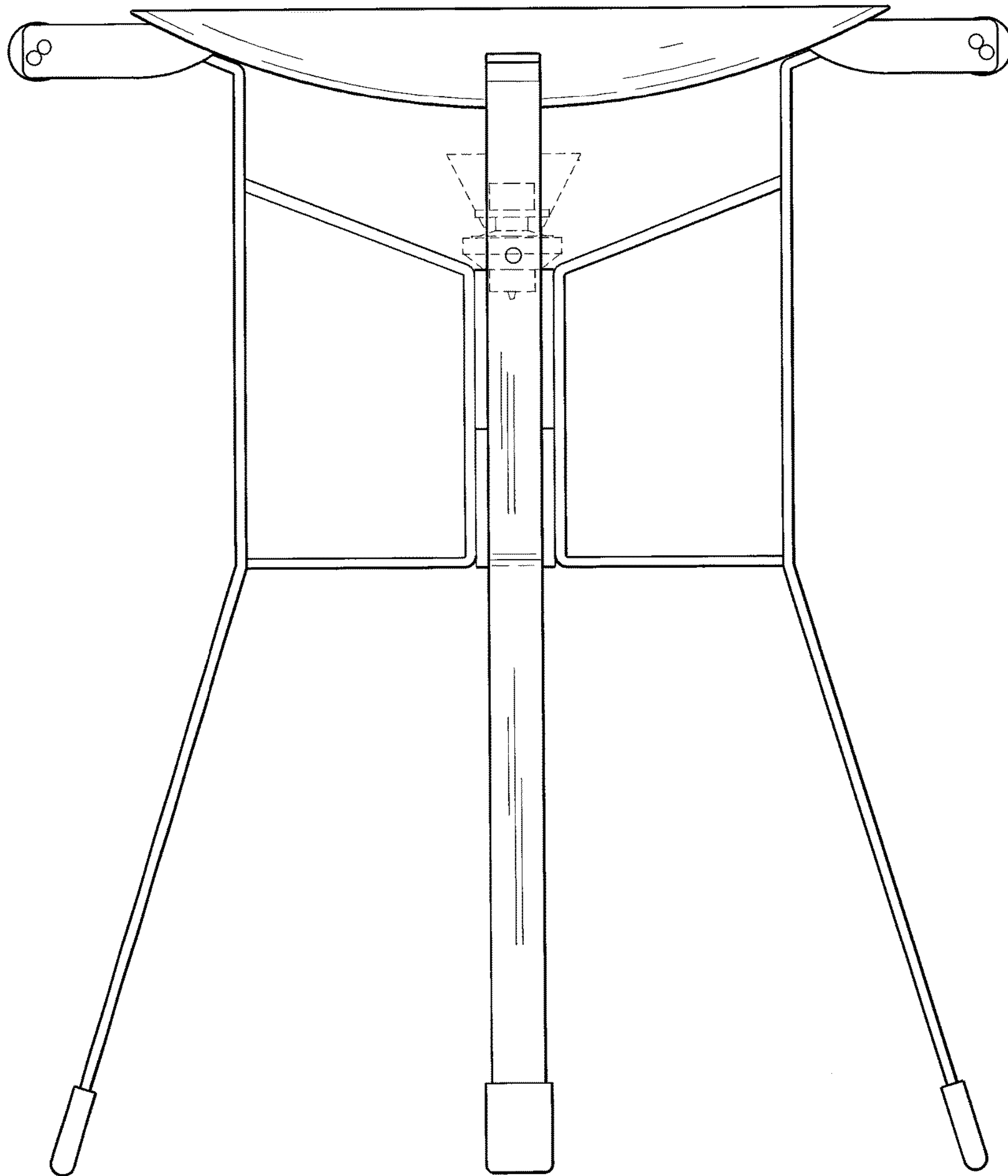


FIG. 3

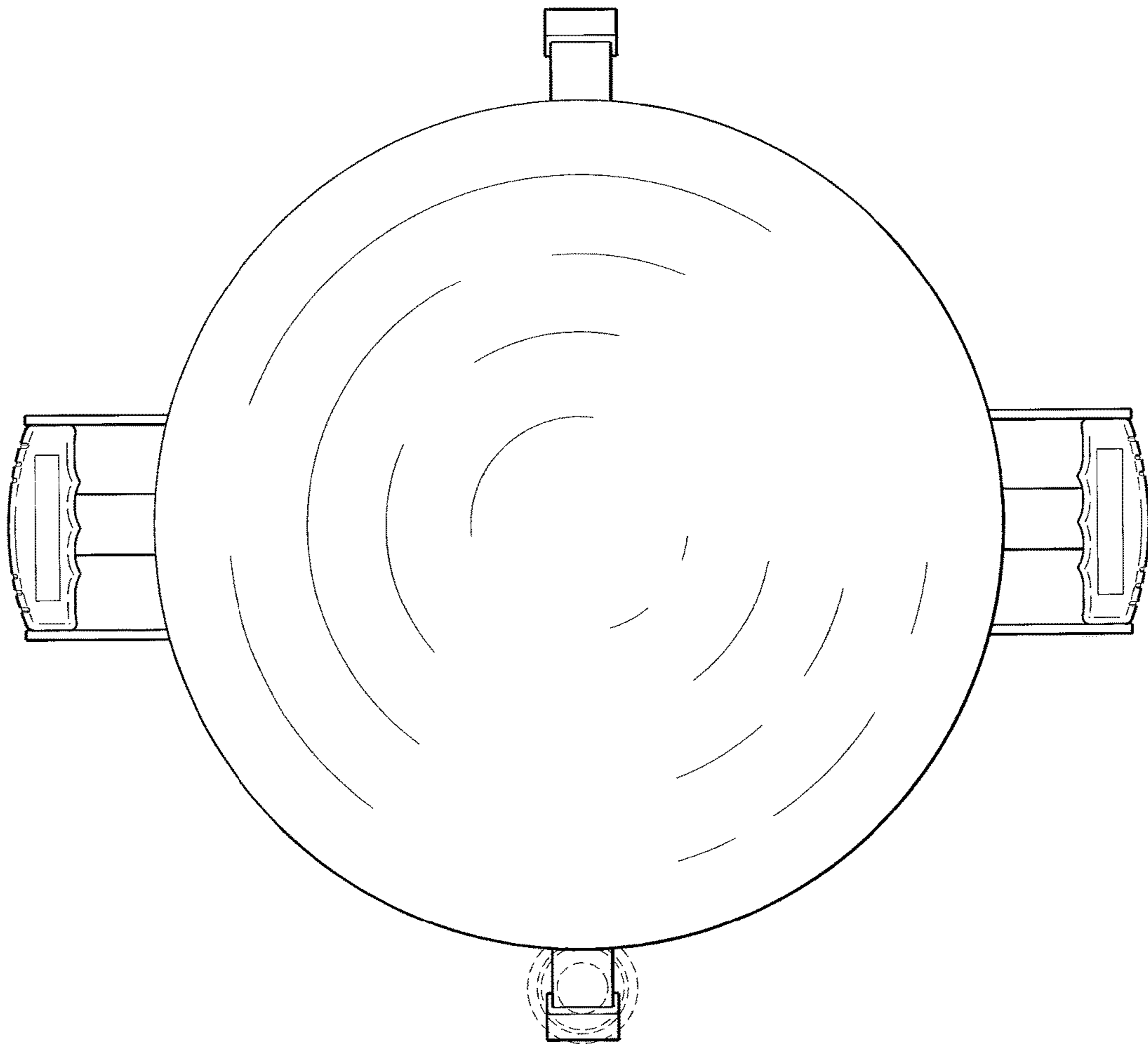


FIG. 4

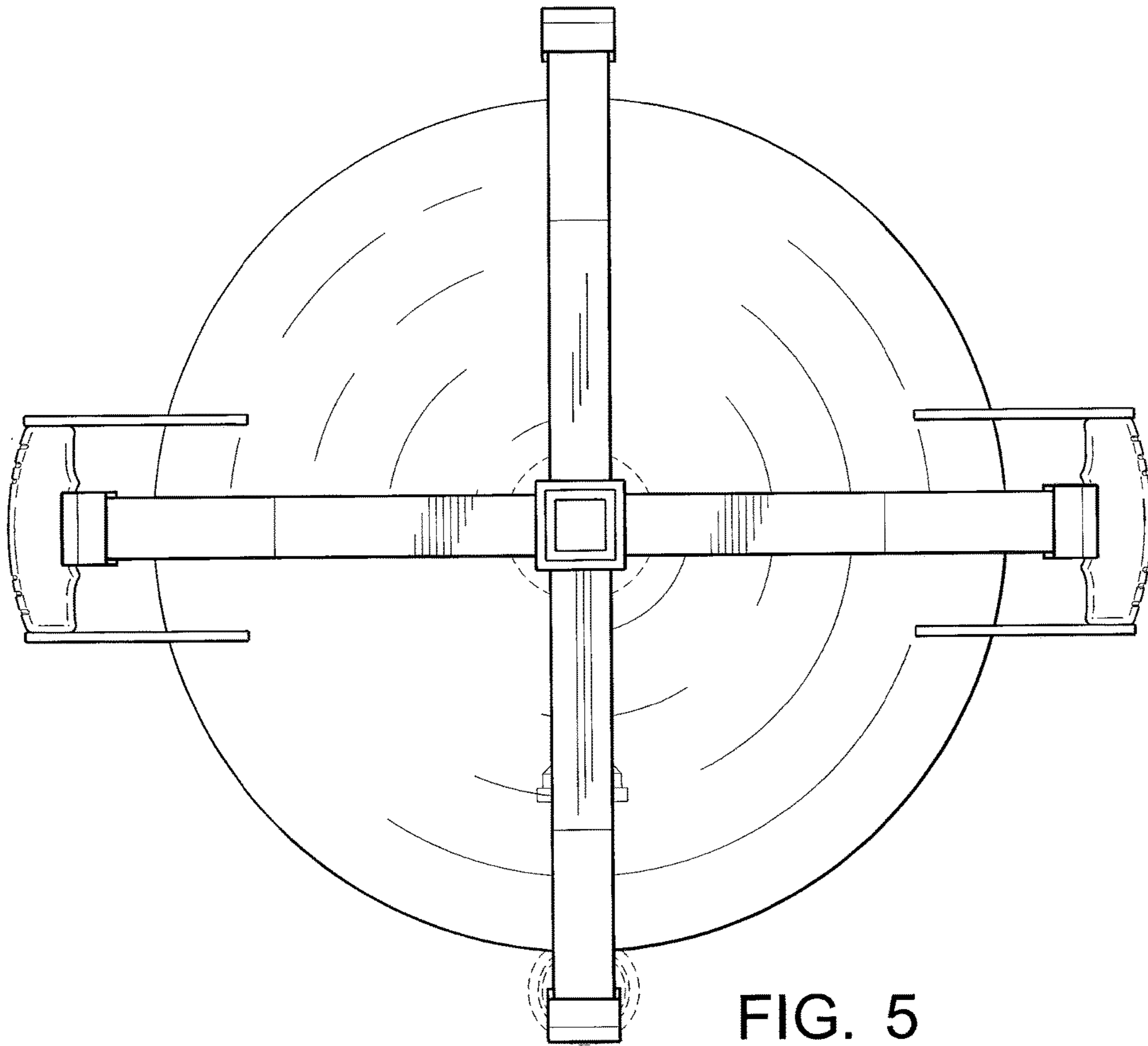


FIG. 5

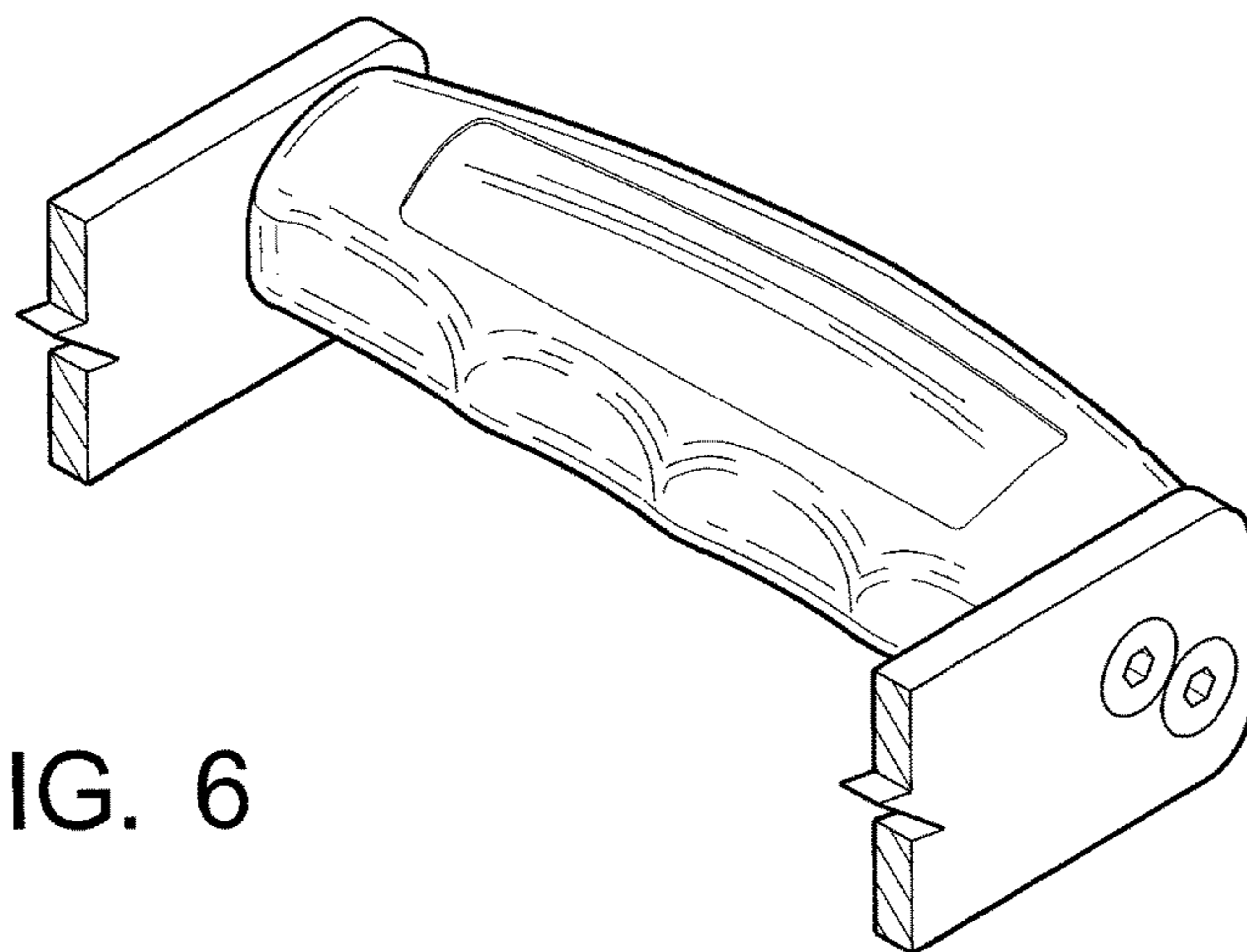


FIG. 6