



US00D825972S

(12) **United States Design Patent**
Bellin

(10) **Patent No.:** **US D825,972 S**
(45) **Date of Patent:** **** Aug. 21, 2018**

(54) **ARMREST FOR CHAIR**
(71) Applicant: **SITLAND S.P.A.**, Nanto (VI) (IT)
(72) Inventor: **Sergio Bellin**, Nanto (IT)
(**) Term: **15 Years**
(21) Appl. No.: **29/599,321**
(22) Filed: **Mar. 31, 2017**

4,872,727 A * 10/1989 Rye A47C 1/03
297/411.36
5,098,158 A * 3/1992 Palarski A47C 1/03
297/234
5,931,536 A * 8/1999 Wu A47C 1/03
297/411.35
6,074,012 A * 6/2000 Wu A47C 1/03
297/411.26
7,357,456 B1 * 4/2008 Freer A47C 7/546
297/411.25
7,490,910 B1 * 2/2009 Draughon A47C 1/03
297/411.31
7,703,854 B2 * 4/2010 LaFreniere A47C 7/546
297/411.23

(30) **Foreign Application Priority Data**

Oct. 24, 2016 (EM) 003432137

(51) **LOC (11) Cl.** **06-01**

(52) **U.S. Cl.**
USPC **D6/716.2**

(58) **Field of Classification Search**
USPC D6/334-336, 366, 367, 374, 379, 380,
D6/716, 716.1, 716.2, 716.3, 716.4
CPC .. A47C 1/03; A47C 7/022; A47C 7/16; A47C
7/282; A47C 7/40; A47C 7/54; A47C
7/543; A47C 7/546
See application file for complete search history.

(56) **References Cited**

U.S. PATENT DOCUMENTS

797,486 A * 8/1905 Zimmerman D6/716.2
4,118,069 A * 10/1978 Hunter A47C 7/546
297/411.29

* cited by examiner

Primary Examiner — Mimoso De
(74) *Attorney, Agent, or Firm* — Themis Law

(57) **CLAIM**

The ornamental design for an armrest for chair, as shown.

DESCRIPTION

FIG. 1 is a front perspective view of an armrest for chair showing my new design;
FIG. 2 is a rear perspective view thereof;
FIG. 3 is a front elevational view thereof;
FIG. 4 is a right side elevational view thereof;
FIG. 5 is a left side elevational view thereof;
FIG. 6 is a rear elevational view thereof; and,
FIG. 7 is a top plan view thereof.

1 Claim, 7 Drawing Sheets

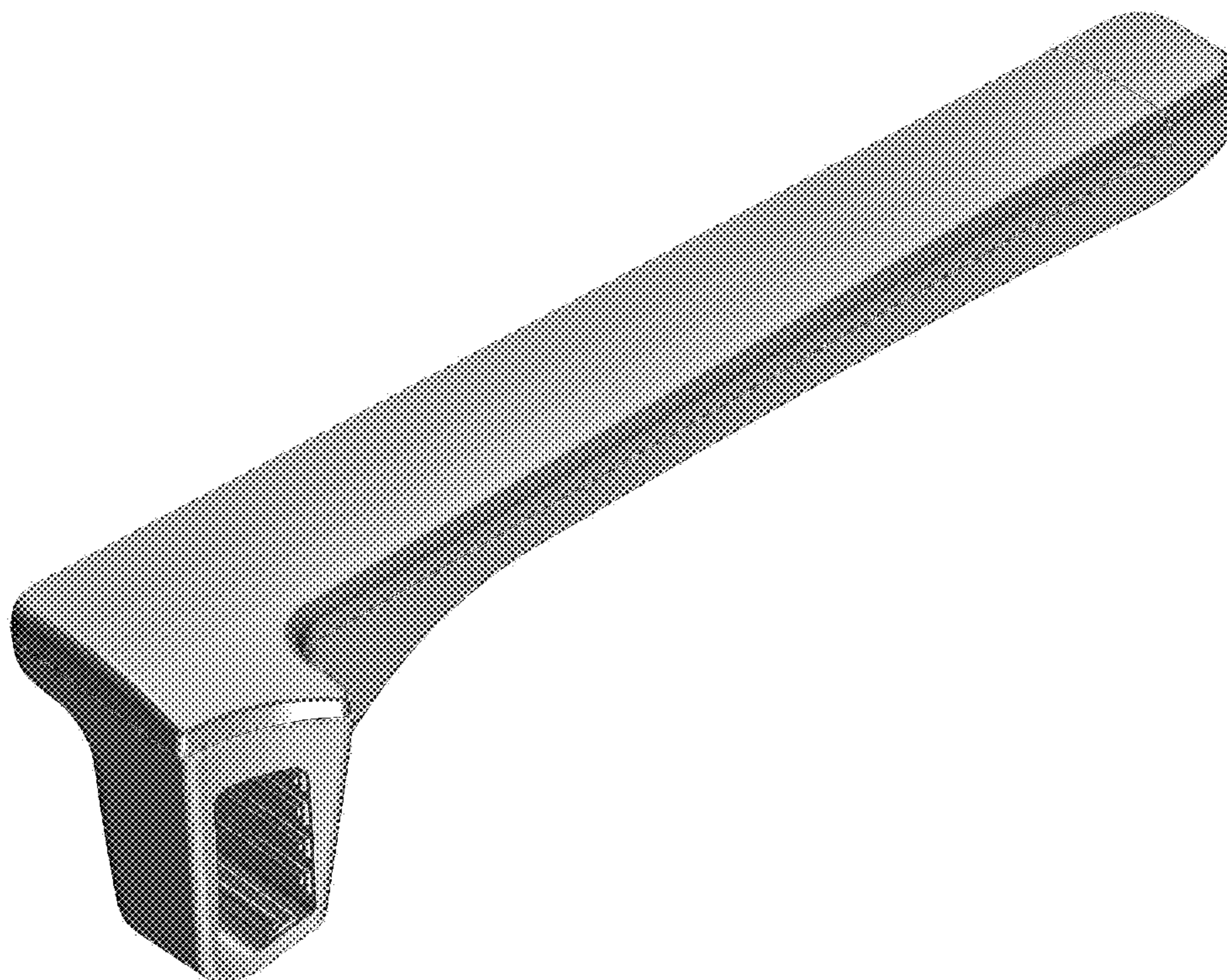




FIG. 1



FIG. 2

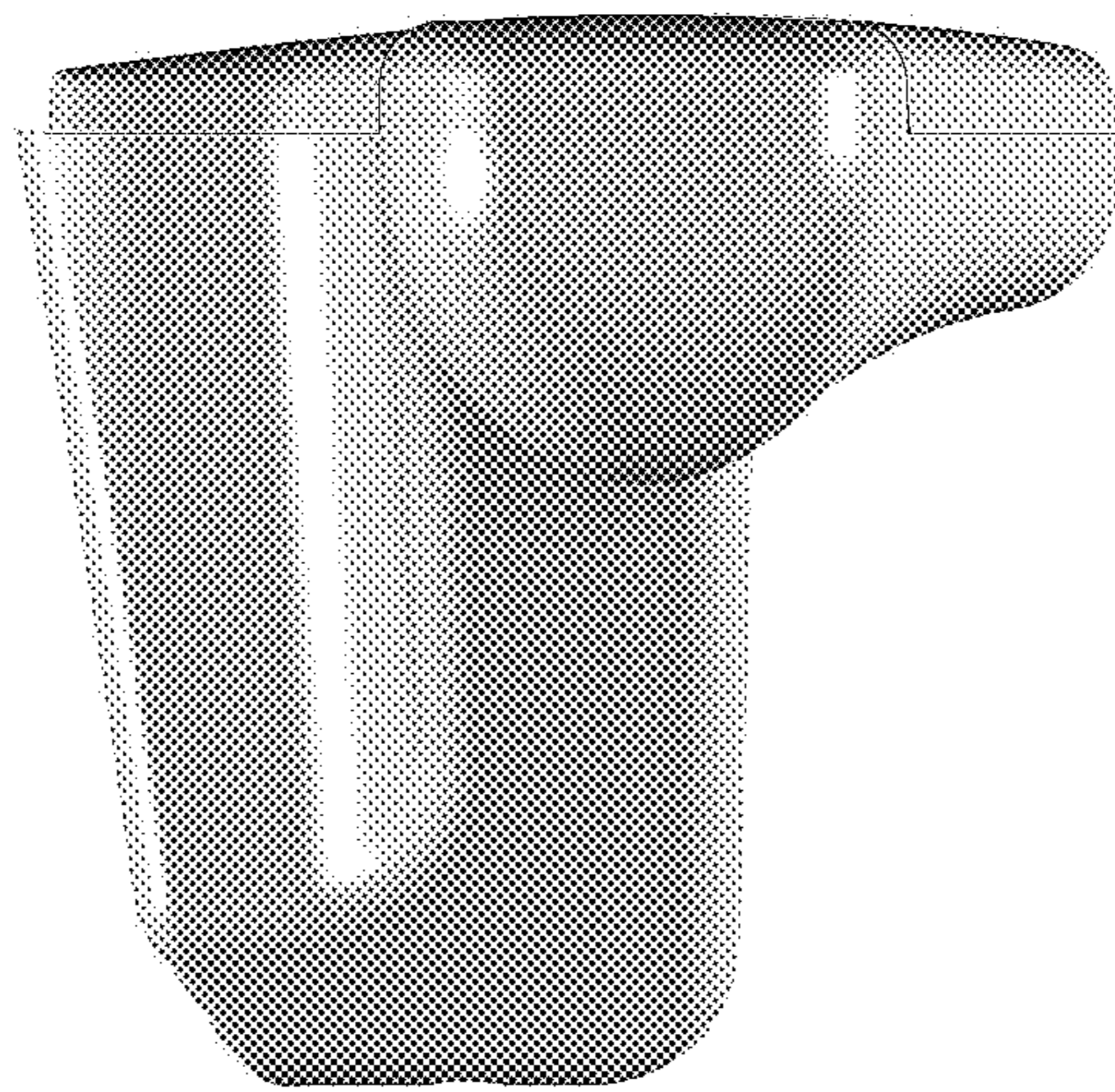


FIG. 3

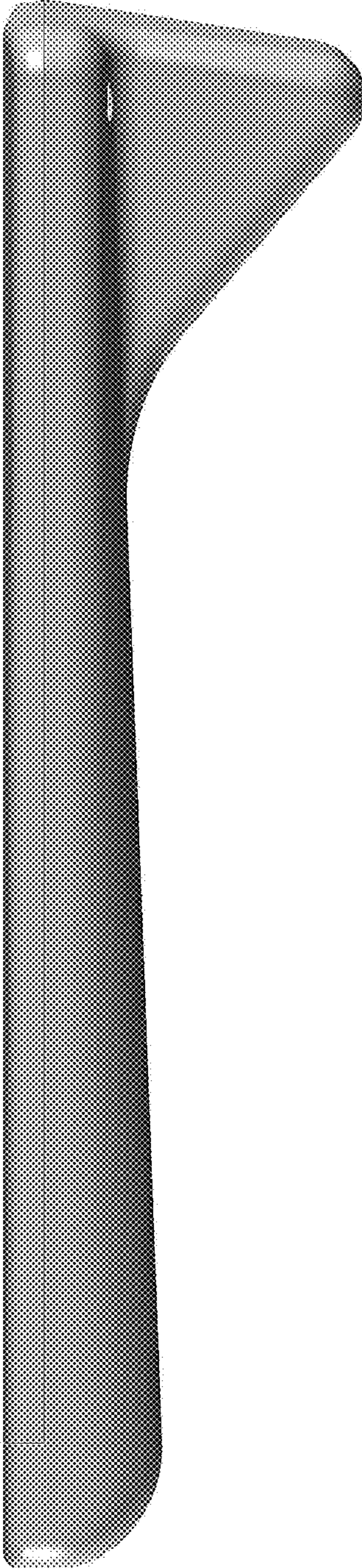


FIG. 4

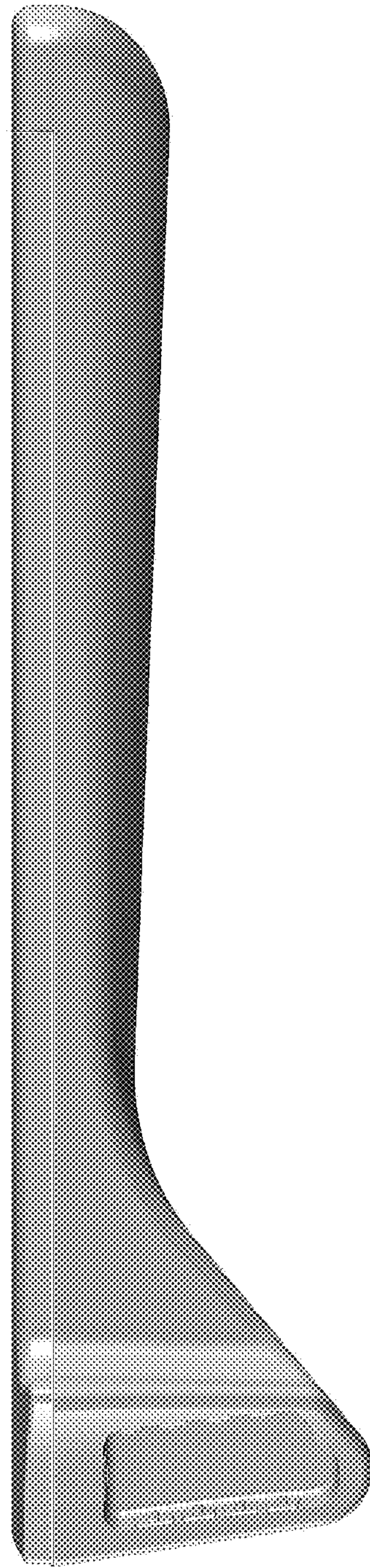


FIG. 5



FIG. 6

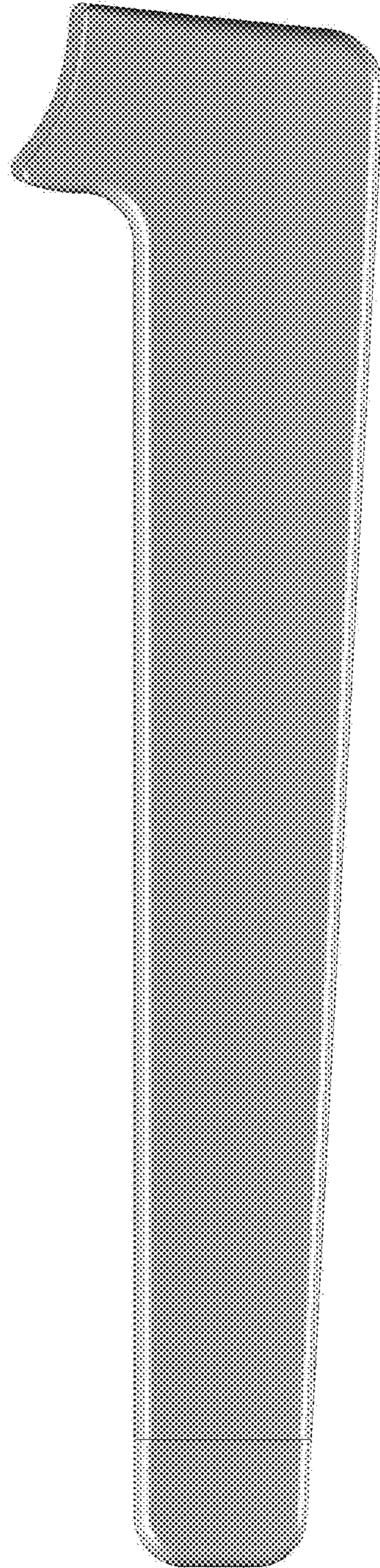


FIG. 7