



US00D825971S

(12) **United States Design Patent**  
**Scagnellato et al.**

(10) **Patent No.:** **US D825,971 S**

(45) **Date of Patent:** **\*\* Aug. 21, 2018**

(54) **CHAIR**

(71) Applicants: **Paolo Scagnellato**, Padua (IT);  
**Emanuele Bertolini**, Piazzola (IT);  
**Jeremiah Ferrarese**, Padua (IT)

(72) Inventors: **Paolo Scagnellato**, Padua (IT);  
**Emanuele Bertolini**, Piazzola (IT);  
**Jeremiah Ferrarese**, Padua (IT)

(73) Assignee: **Allseating Corporation**, Mississauga,  
Ontario

(\*\*) Term: **15 Years**

(21) Appl. No.: **29/607,209**

(22) Filed: **Jun. 12, 2017**

(51) **LOC (11) Cl.** ..... **06-01**

(52) **U.S. Cl.**  
USPC ..... **D6/716; D6/366**

(58) **Field of Classification Search**  
USPC ..... D6/334-336, 364, 365, 366, 374, 379,  
D6/380, 716, 716.1, 716.2, 716.4  
CPC .... A47C 7/16; A47C 7/40; A47C 7/46; A47C  
7/022; A47C 7/282; A47C 7/285; A47C  
7/54  
See application file for complete search history.

(56) **References Cited**

**U.S. PATENT DOCUMENTS**

D345,060 S \* 3/1994 Duncan ..... D6/366  
D557,027 S \* 12/2007 Hara ..... D6/366

D570,624 S \* 6/2008 Kang ..... D6/716  
D607,653 S \* 1/2010 Wilkinson ..... D6/366  
D613,087 S \* 4/2010 Fujita ..... D6/366  
D613,088 S \* 4/2010 Fujita ..... D6/366  
D644,862 S \* 9/2011 Gaschy ..... D6/716  
D670,927 S \* 11/2012 Hurford ..... D6/366  
D679,107 S \* 4/2013 Darrow ..... D6/366  
D785,390 S \* 5/2017 Tong ..... D6/366

\* cited by examiner

*Primary Examiner* — Mimoso De

(74) *Attorney, Agent, or Firm* — Lorelei G. Graham

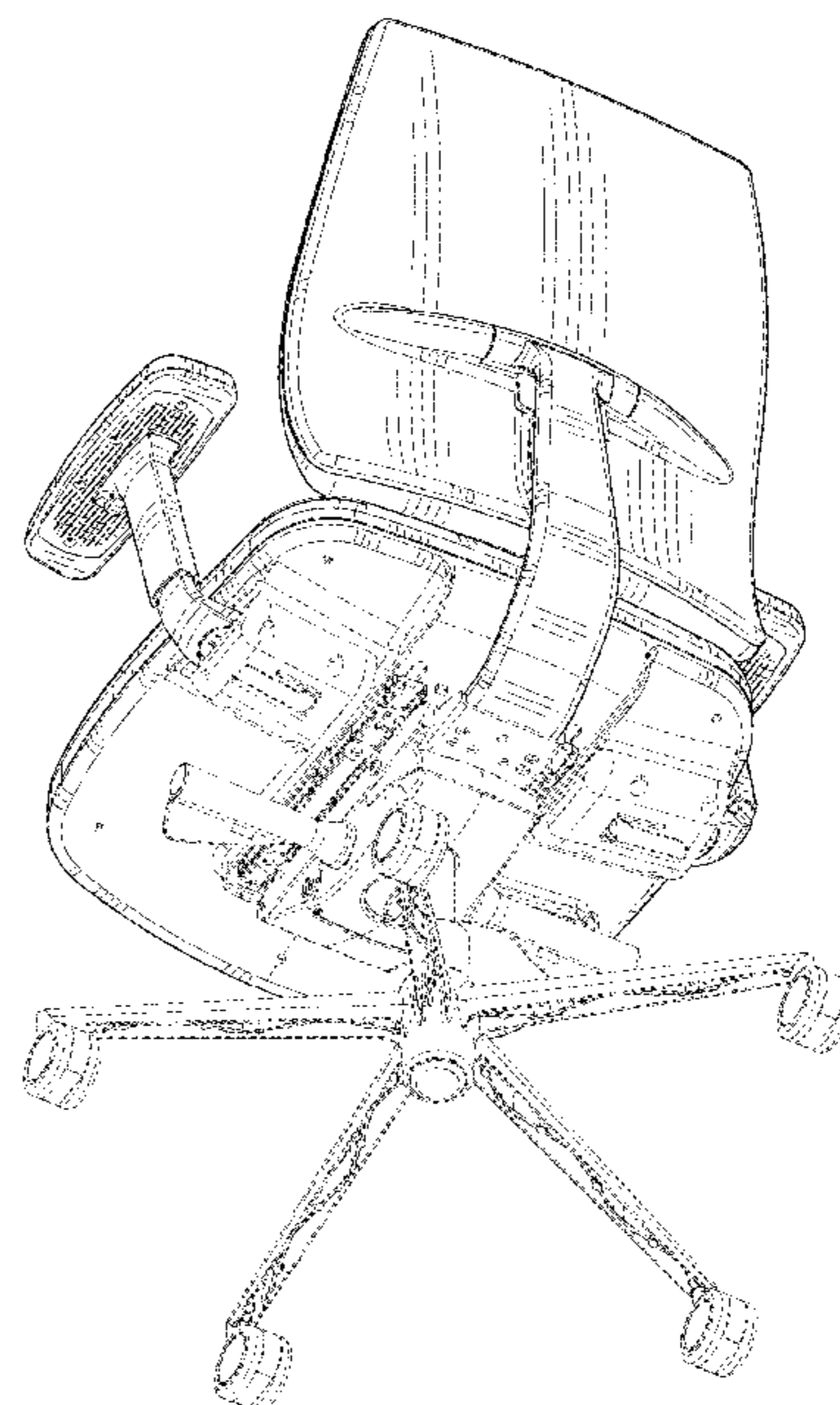
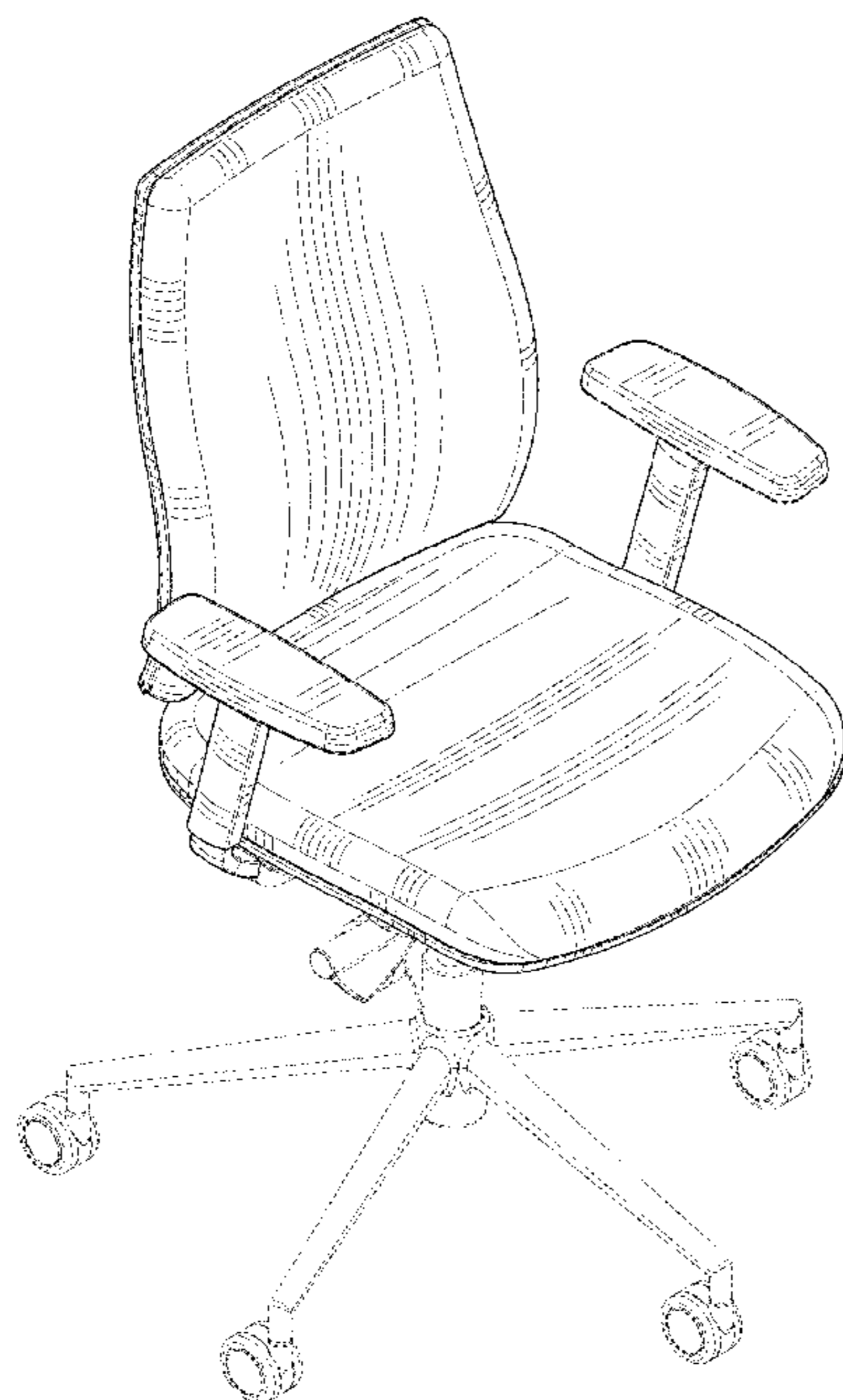
(57) **CLAIM**

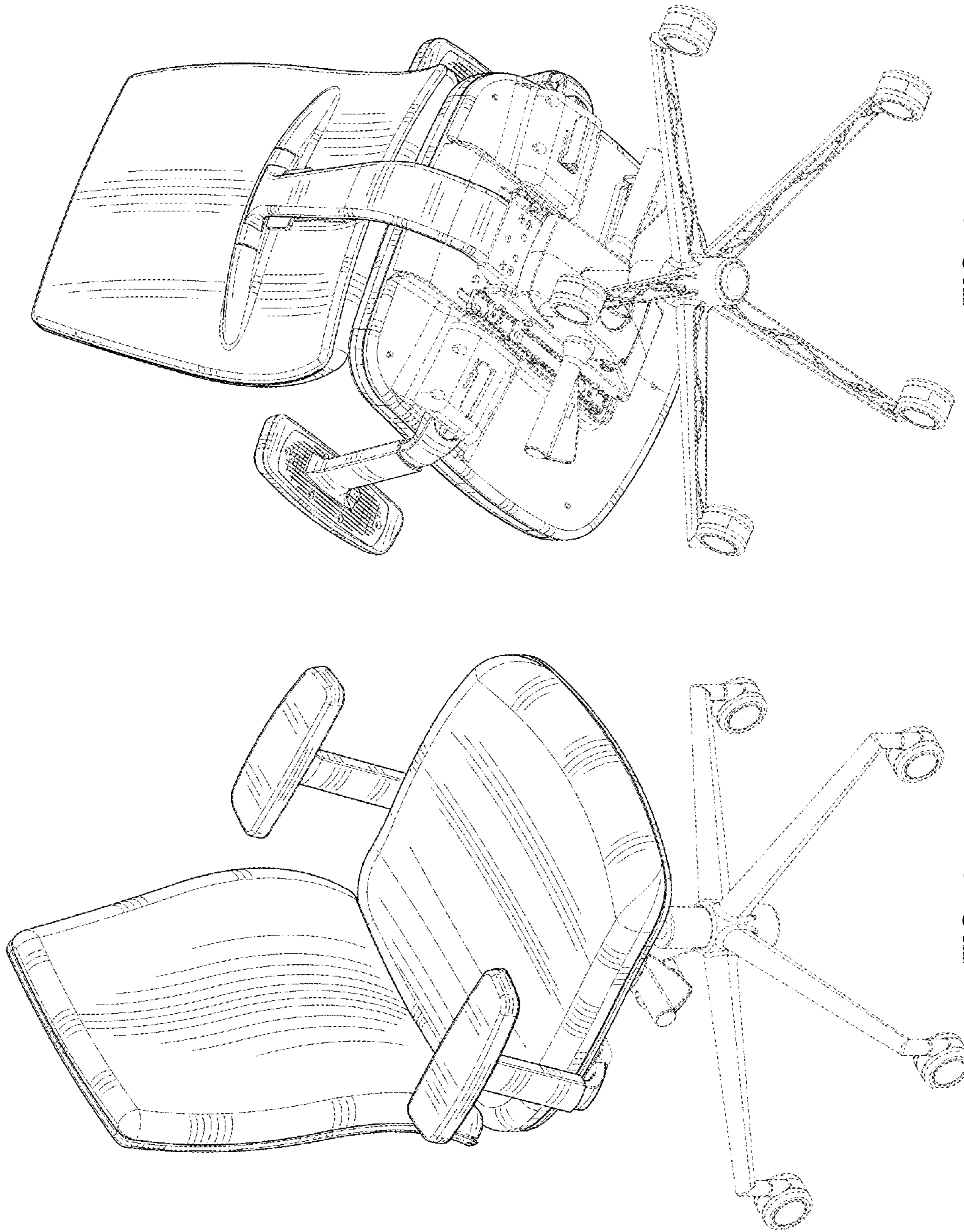
The ornamental design for the chair, as shown and described.

**DESCRIPTION**

FIG. 1 is a front perspective view of the chair.  
FIG. 2 is a bottom perspective view of the chair.  
FIG. 3 is a right side view of the chair.  
FIG. 4 is a front view of the chair.  
FIG. 5 is a left side view of the chair.  
FIG. 6 is a back view of the chair.  
FIG. 7 is a top view of the chair; and,  
FIG. 8 is a bottom view for the chair.  
The broken lines shown in the drawings are for the purpose of illustrating portions of the article that form no part of the claim design.

**1 Claim, 4 Drawing Sheets**

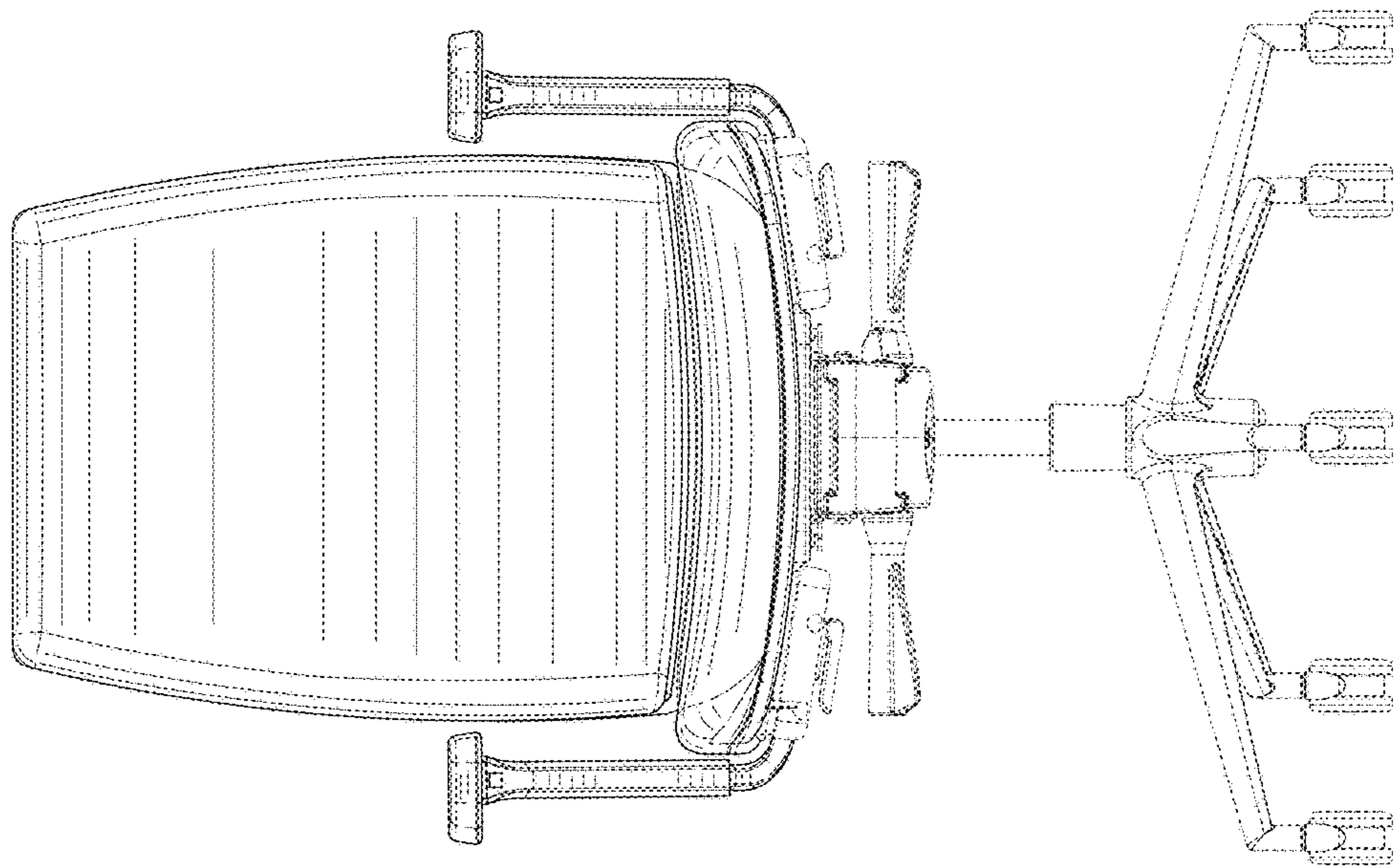




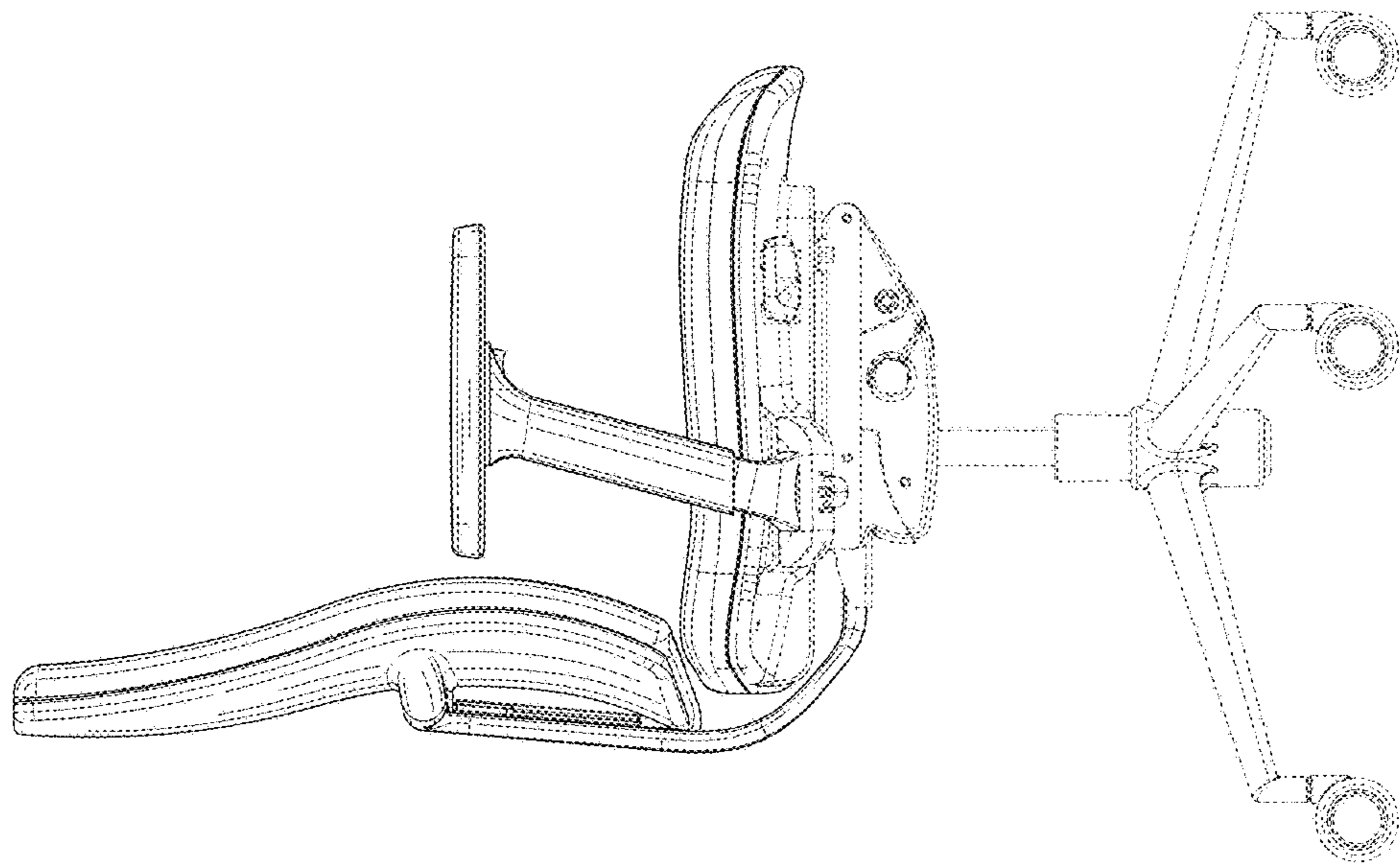
**FIG. 2**

**FIG. 1**

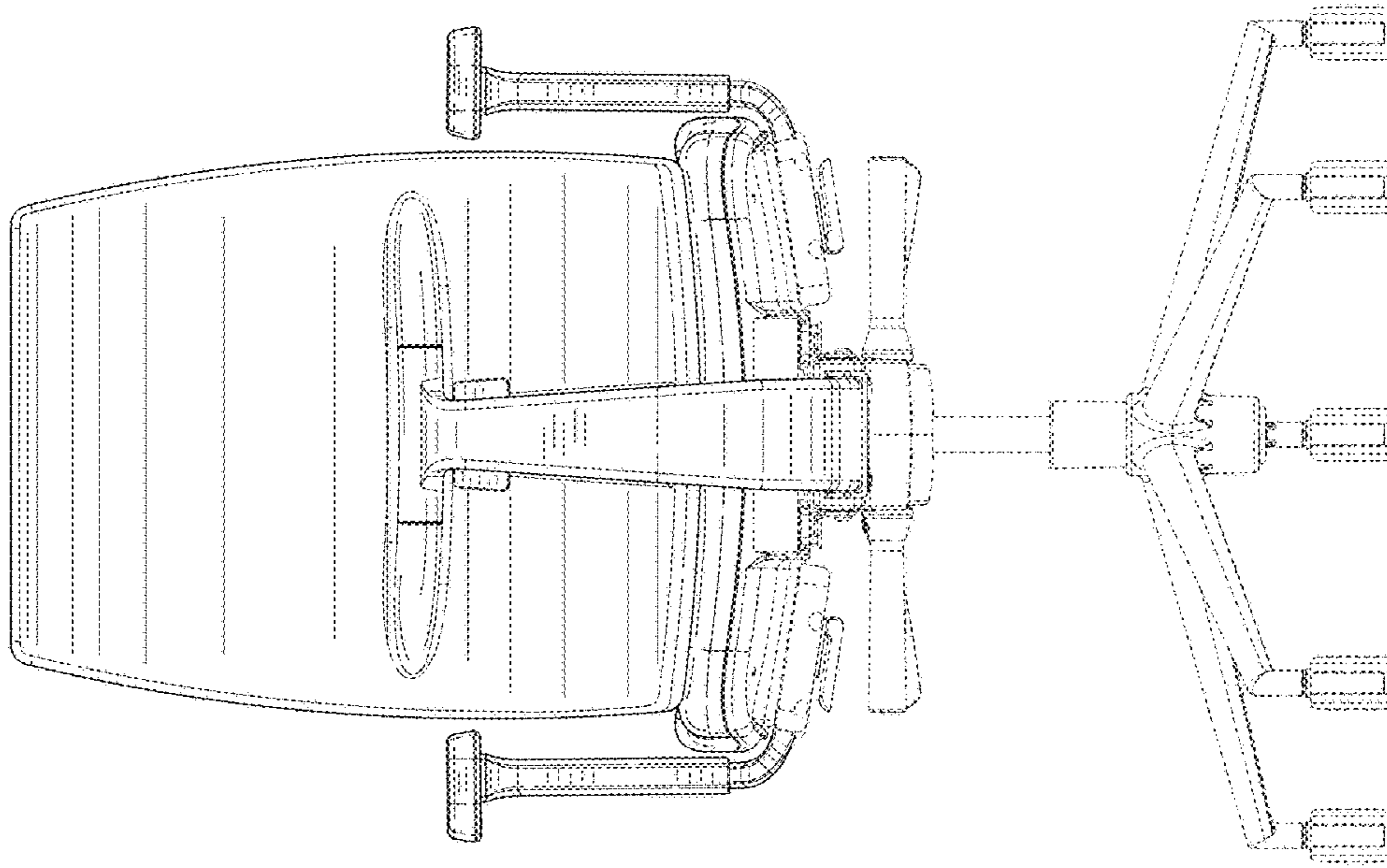




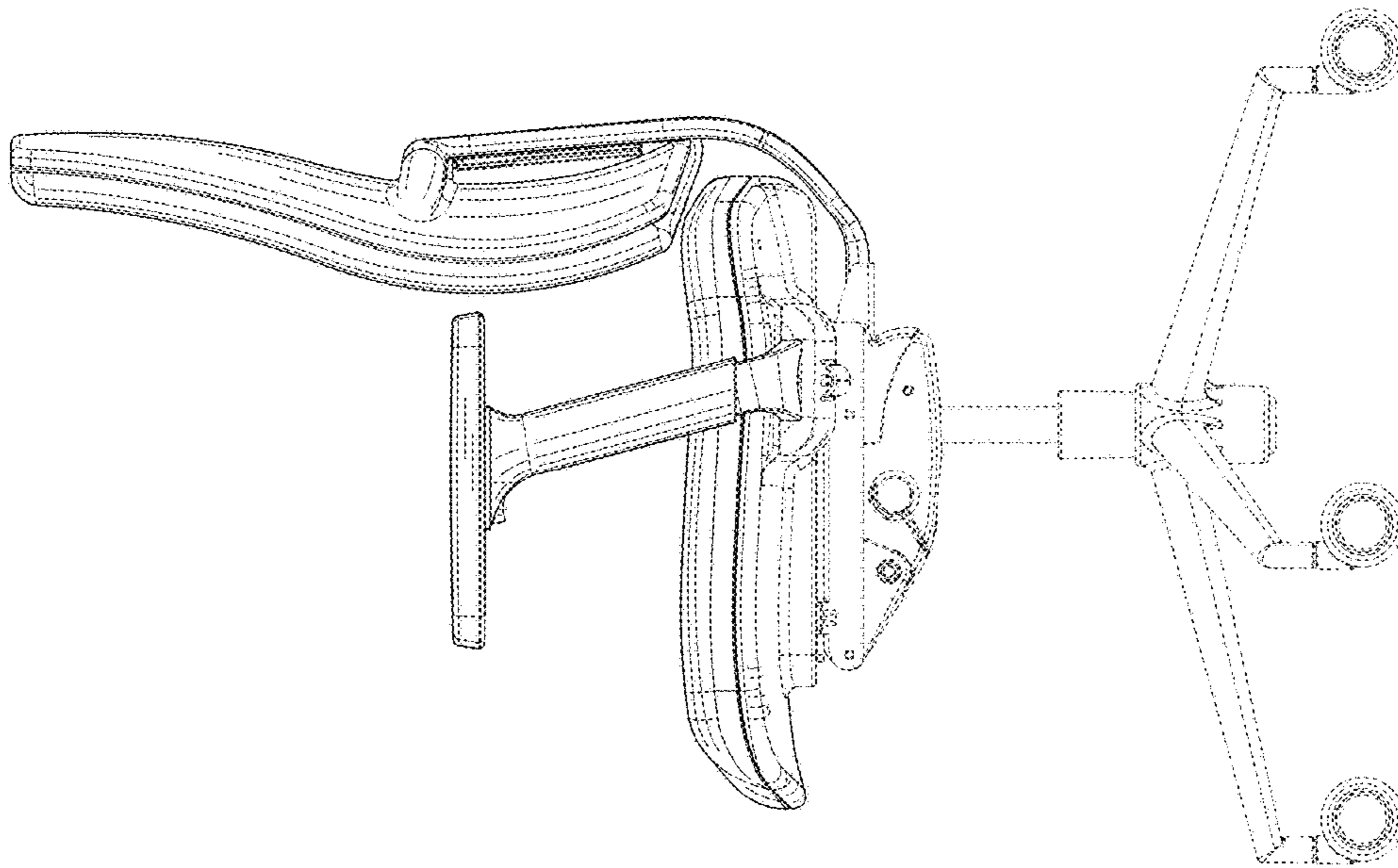
**FIG. 4**



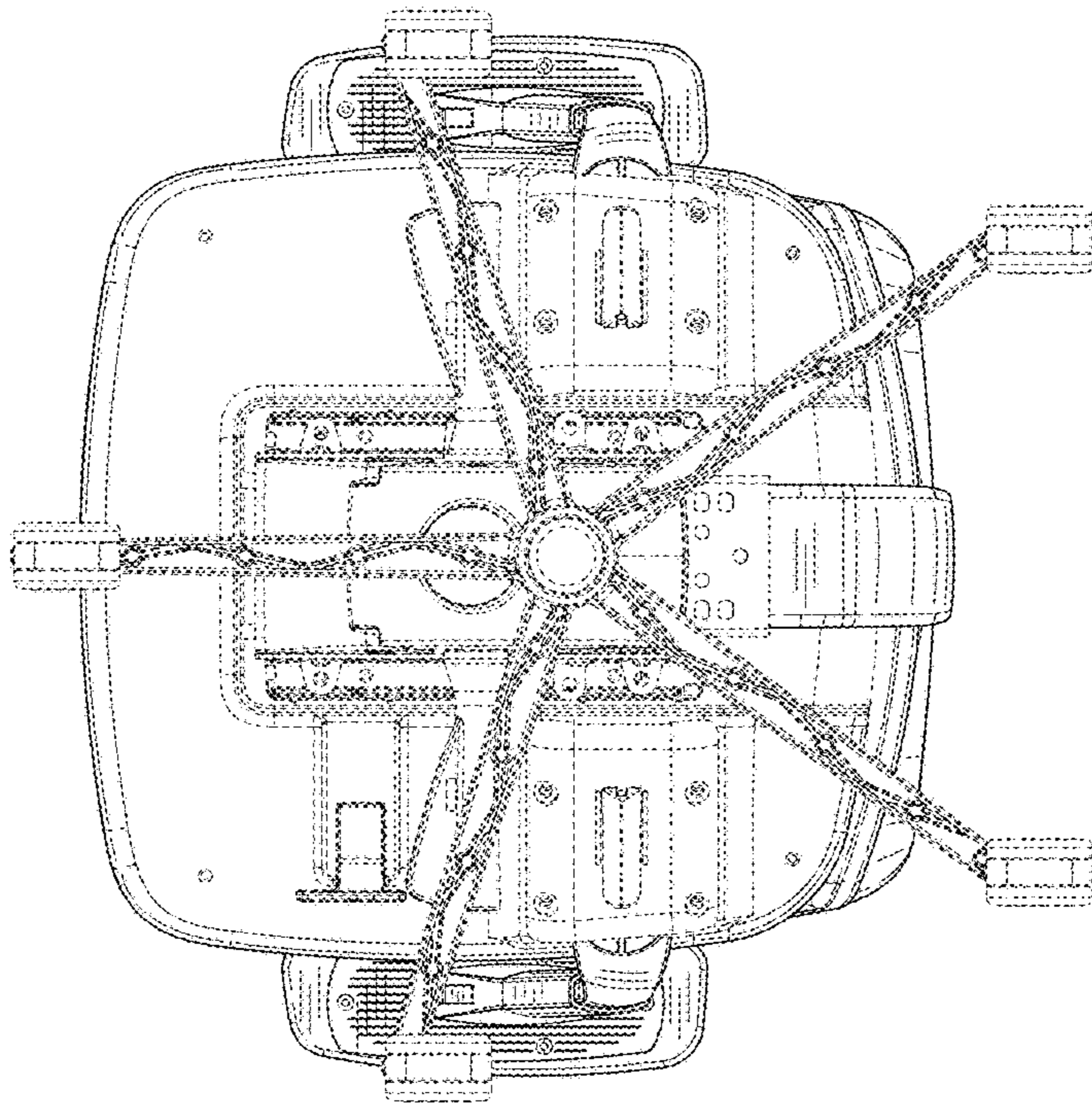
**FIG. 3**



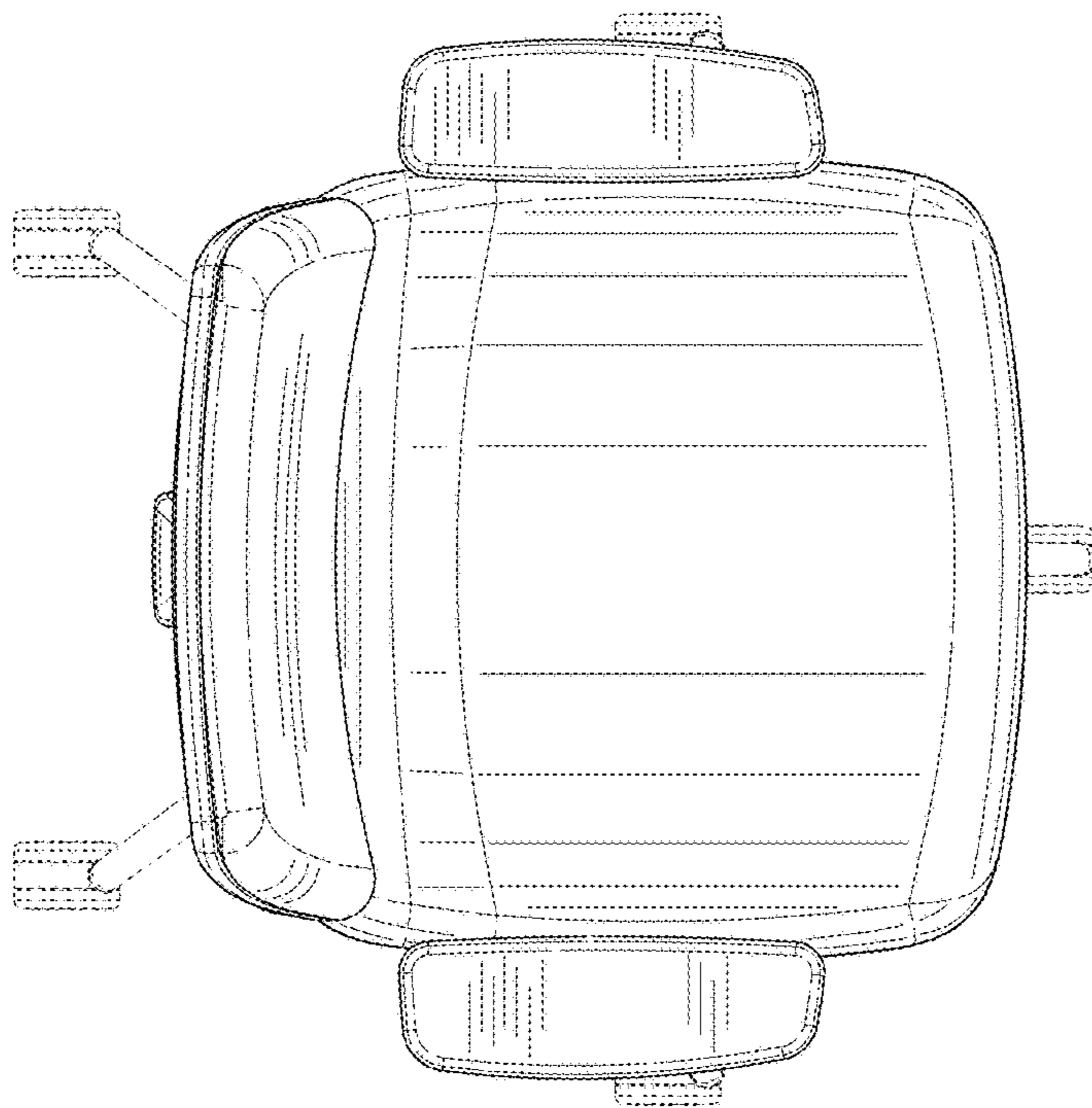
**FIG. 6**



**FIG. 5**



**FIG. 8**



**FIG. 7**