



US00D825968S

(12) **United States Design Patent**
Yamamoto

(10) **Patent No.:** **US D825,968 S**

(45) **Date of Patent:** **** Aug. 21, 2018**

(54) **DESK**

2200/0052; A47B 2200/0053; A47B
2200/0054; A47B 2200/0055

(71) Applicant: **Okamura Corporation**, Yokohama-shi,
Kanagawa (JP)

See application file for complete search history.

(72) Inventor: **Takayuki Yamamoto**, Yokohama (JP)

(56) **References Cited**

(73) Assignee: **Okamura Corporation**, Yokohama-shi,
Kanagawa (JP)

U.S. PATENT DOCUMENTS

(**) Term: **15 Years**

2,368,748 A *	2/1945	Doty	A47B 9/04 108/147
2,547,296 A *	4/1951	White	A47B 9/00 108/147.21
4,604,955 A *	8/1986	Fleischer	A47B 9/04 108/106
5,224,429 A *	7/1993	Borgman	A47B 9/00 108/147
5,357,874 A *	10/1994	Palmer	A47B 21/06 108/50.02
5,400,721 A *	3/1995	Greene	A47B 9/02 108/147
5,598,789 A *	2/1997	Jonker	A47B 9/12 108/147

(21) Appl. No.: **29/560,634**

(22) Filed: **Apr. 8, 2016**

(30) **Foreign Application Priority Data**

Oct. 19, 2015 (JP) 2015-023007

(Continued)

(51) **LOC (11) Cl.** **06-06**

Primary Examiner — Mary Ann Calabrese

(52) **U.S. Cl.**

(74) *Attorney, Agent, or Firm* — Sughrue Mion, PLLC

USPC **D6/702**; D6/656.16

(58) **Field of Classification Search**

(57) **CLAIM**

USPC D6/641, 653.14, 653.21, 654.14, 655.14,
D6/655.21, 656.16, 688.13, 691, 702,
D6/708, 708.16, 708.17, 708.21, 708.22,
D6/709, 709.2

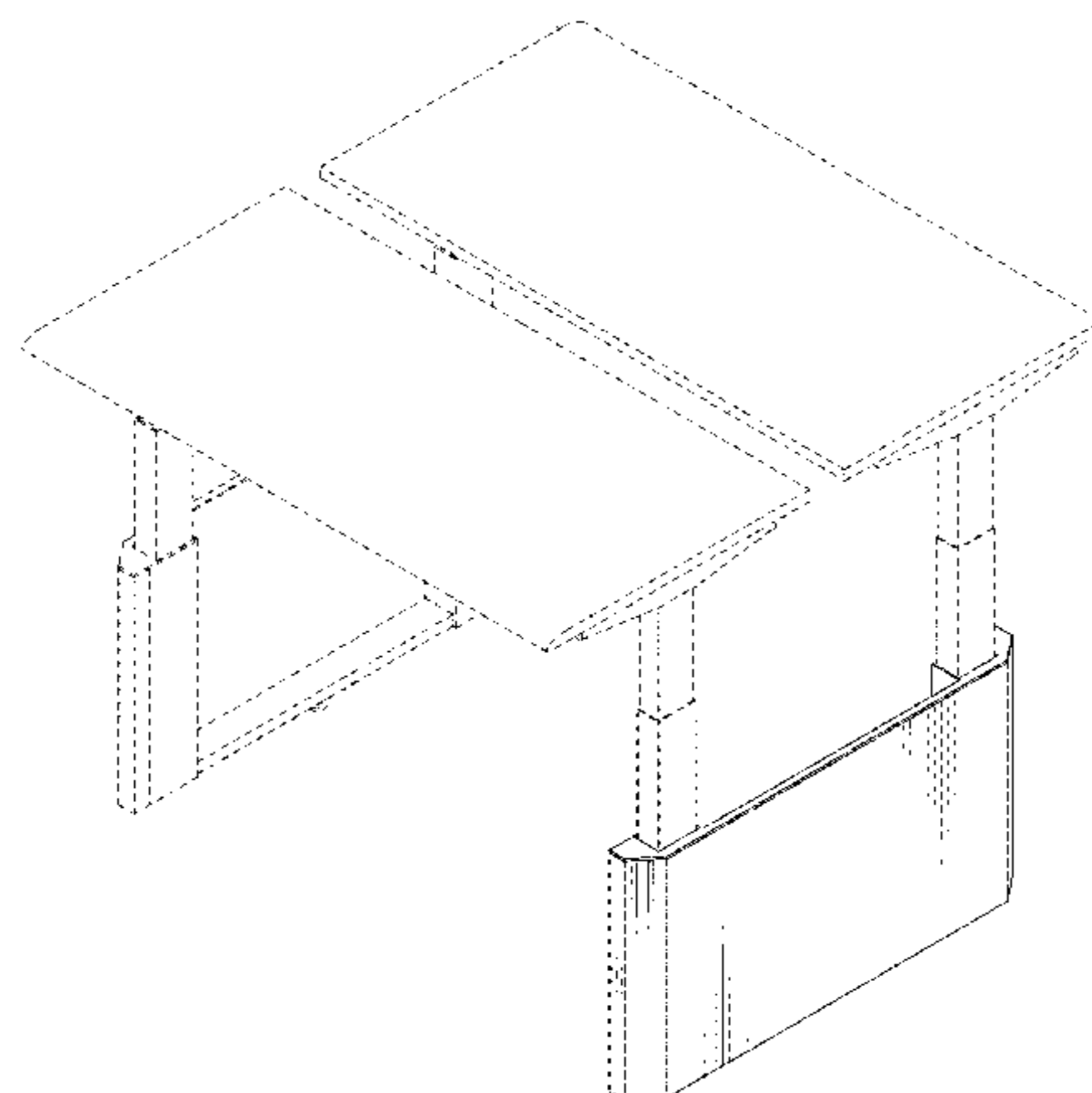
The ornamental design for a desk, as shown and described.

CPC .. A47B 1/04; A47B 7/00; A47B 13/00; A47B
13/02; A47B 2200/00; A47B 2200/002;
A47B 2200/11; A47B 2013/026; A47B
2013/027; A47B 2013/028; A47B 3/0917;
A47B 21/02; A47B 21/06; A47B 9/00;
A47B 9/02; A47B 9/04; A47B 9/10;
A47B 9/12; A47B 9/20; A47B 2009/003;
A47B 2009/006; A47B 2013/0026; A47B
2200/0033; A47B 2200/0035; A47B
2200/0039; A47B 2200/0042; A47B
2200/005; A47B 2200/0051; A47B

DESCRIPTION

FIG. 1 is a perspective view of a desk.
FIG. 2 is a front elevation view thereof.
FIG. 3 is a rear elevation view thereof.
FIG. 4 is a right side elevation view thereof.
FIG. 5 is a top plan view thereof.
FIG. 6 is a bottom plan view thereof.
FIG. 7 is a cross-sectional view taken along the line 7-7 in
FIG. 4.
FIG. 8 is a cross-sectional view taken along the line 8-8 in
FIG. 4, which omits the internal structure; and,
FIG. 9 is a perspective view showing the desktop in an
alternate lowered position of use.

(Continued)



The broken lines shown in the drawings illustrate portions of the desk that form no part of the claimed design.

1 Claim, 9 Drawing Sheets

(56) **References Cited**

U.S. PATENT DOCUMENTS

5,626,328	A *	5/1997	Schneider	A47B 9/04 254/98
5,941,182	A *	8/1999	Greene	A47B 9/12 108/147
6,026,755	A *	2/2000	Long	A47B 9/02 108/147
D605,434	S *	12/2009	Daino	A47B 21/06 D6/708
D757,471	S *	5/2016	Domingo	A47B 9/04 D6/691
2018/0078033	A1 *	3/2018	Grappe	A47B 3/0917

* cited by examiner

FIG. 1

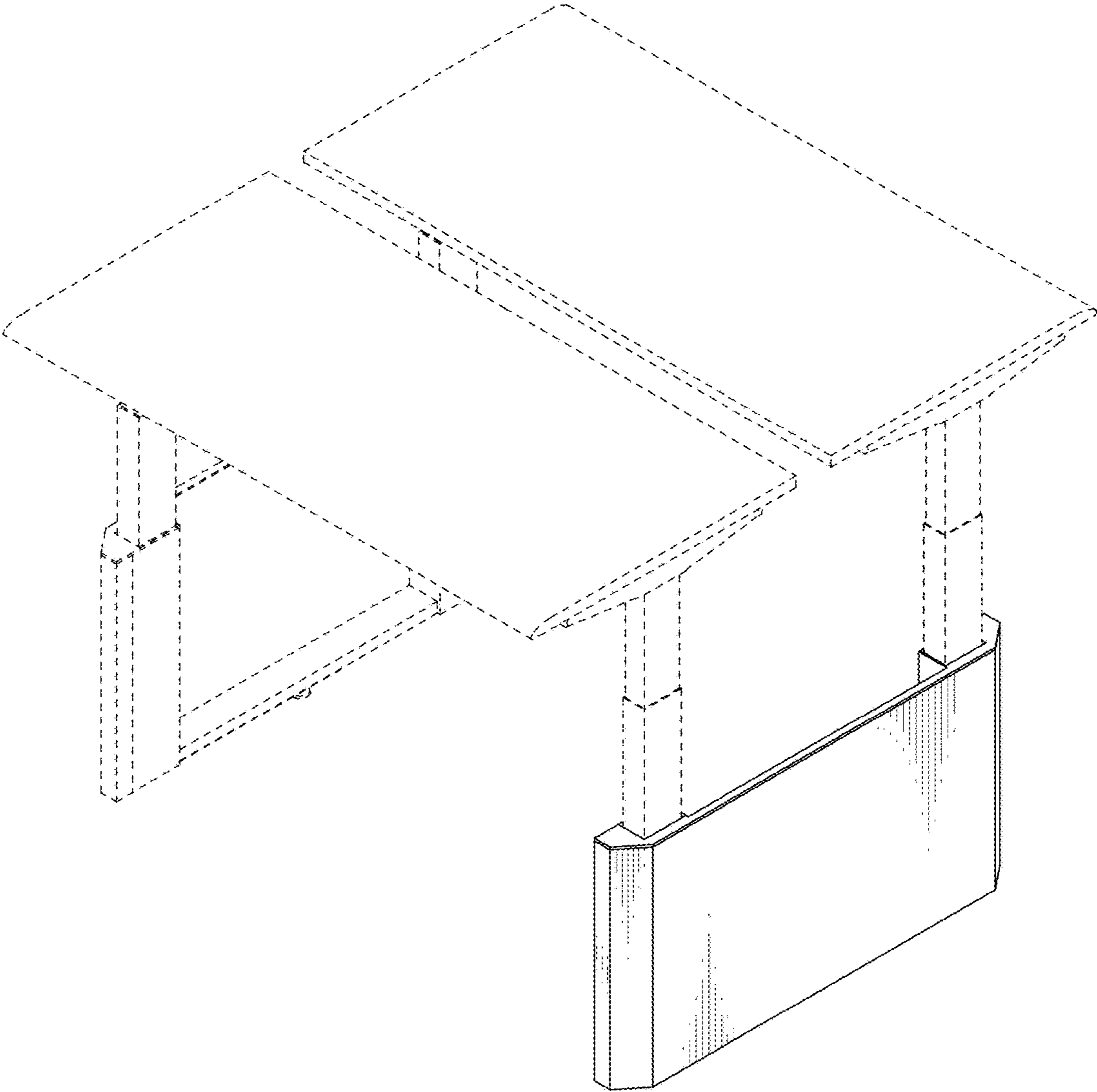


FIG. 2



FIG. 3



FIG. 4

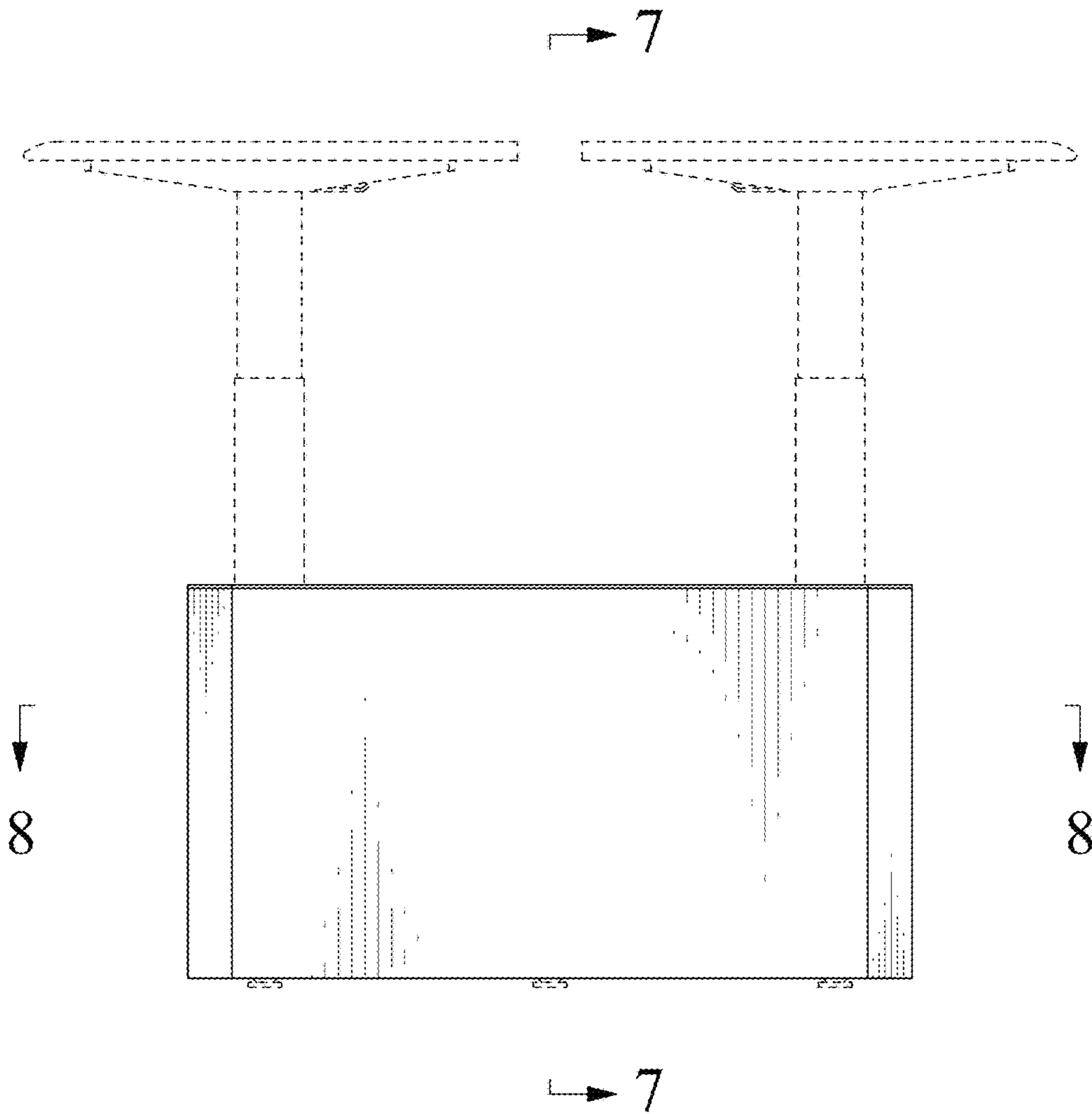


FIG. 5

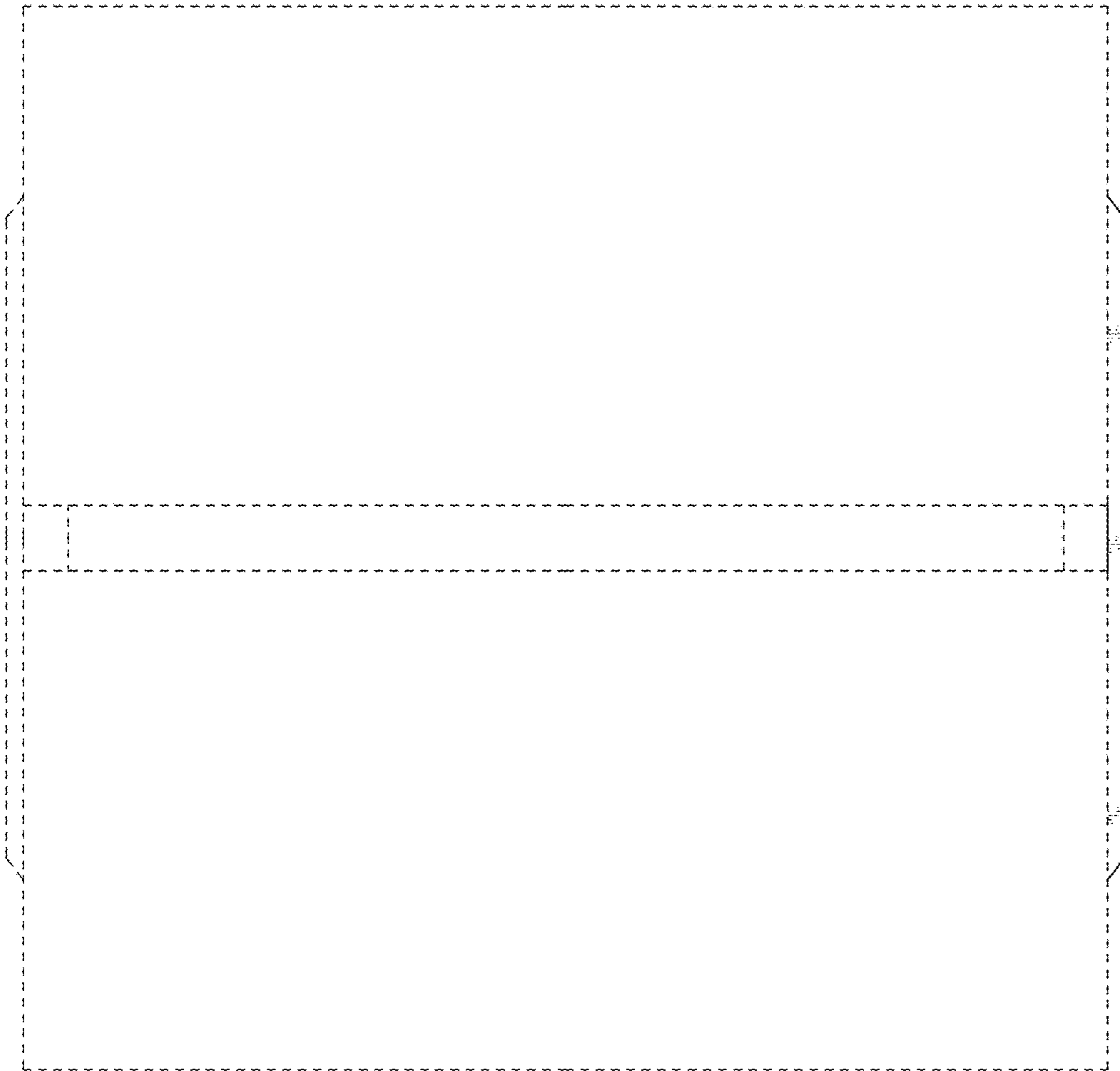


FIG. 6

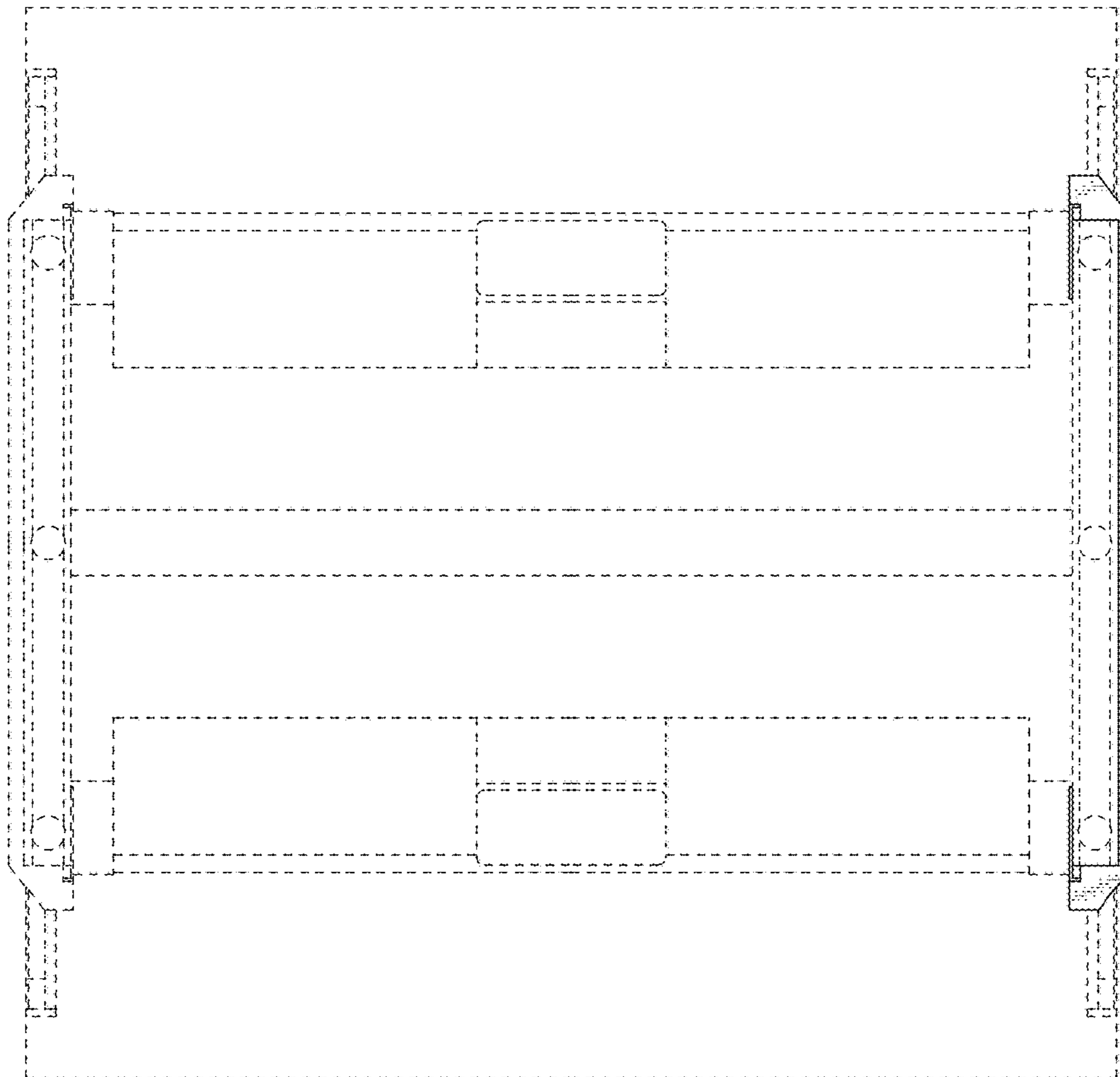


FIG. 7



FIG. 8

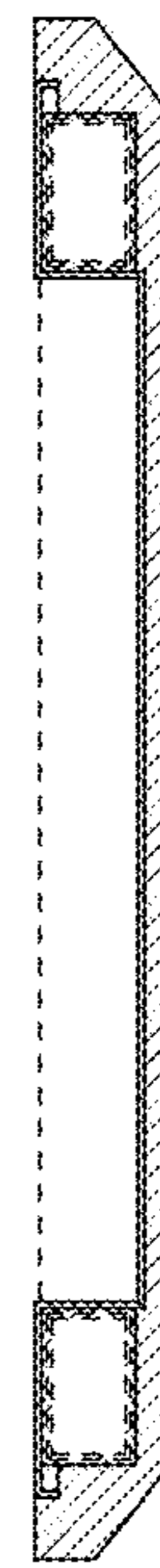
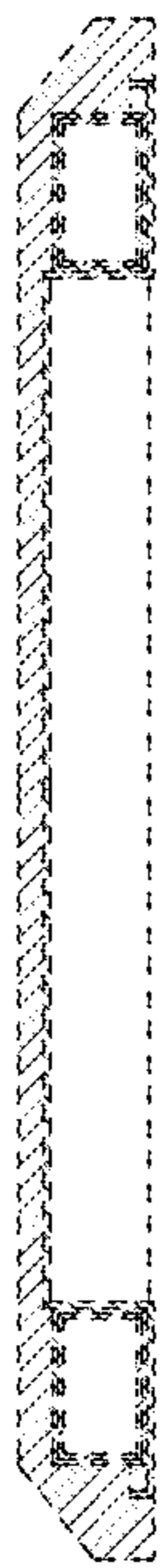


FIG. 9

