



US00D825967S

(12) **United States Design Patent** (10) **Patent No.:** **US D825,967 S**  
**Tolokan et al.** (45) **Date of Patent:** **\*\* Aug. 21, 2018**

(54) **POCKET HOLDER FOR A MUSIC STAND**

(71) Applicant: **T.H.Y. Designs, L.L.C.**, Sandy, UT (US)

(72) Inventors: **Mary S. Tolokan**, North Salt Lake City, UT (US); **RaJean B. Higginson**, Sandy, UT (US)

(73) Assignee: **T.H.Y. Designs, L.L.C.**, Sandy, UT (US)

(\*\*) Term: **15 Years**

(21) Appl. No.: **29/596,593**

(22) Filed: **Mar. 9, 2017**

(51) **LOC (11) Cl.** ..... **06-06**

(52) **U.S. Cl.**  
USPC ..... **D6/701**

(58) **Field of Classification Search**  
USPC ..... D6/641, 648.2, 512, 513, 654, 655.2, D6/656, 661.2, 670, 701, 704, 707, D6/707.24, 553  
CPC ..... A47B 21/0371; A47B 2200/0093; A47B 2230/0011; A47B 2200/0051; A47B 2200/0052; A47B 2200/0053; A47B 2200/0054; A47B 2200/0055; A47B 21/02

See application file for complete search history.

(56) **References Cited**

**U.S. PATENT DOCUMENTS**

1,201,159	A	*	10/1916	Dettmer	.....	F41C 33/0209
						206/349
D232,201	S	*	7/1974	Hoffman	.....	D6/553
D276,779	S	*	12/1984	Gomez	.....	D6/567
5,413,305	A		5/1995	Leeb		
D365,714	S	*	1/1996	Masello	.....	D6/526
D365,825	S	*	1/1996	Abraham	.....	D14/299
D434,880	S	*	12/2000	McNary	.....	D30/101
6,563,036	B1		5/2003	Biasini		

D492,864	S	*	7/2004	Mizusawa	.....	D6/512
D510,205	S	*	10/2005	Nickel	.....	D6/701
D535,842	S	*	1/2007	Wood	.....	D6/567
D601,839	S	*	10/2009	Boutin	.....	D6/553
D606,347	S	*	12/2009	Berry	.....	D6/553
D607,607	S	*	1/2010	Russell	.....	D28/38
D610,199	S	*	2/2010	Liang	.....	D19/86
D614,427	S	*	4/2010	Nejad	.....	D6/553
D639,092	S	*	6/2011	Lundy	.....	D6/513
D644,450	S	*	9/2011	Walter	.....	D6/701
8,198,523	B1		6/2012	Price		
D693,595	S	*	11/2013	Pierre-Pipkin	.....	D6/513

(Continued)

*Primary Examiner* — Mary Ann Calabrese

*Assistant Examiner* — Sloan Rozin

(74) *Attorney, Agent, or Firm* — TraskBritt

(57) **CLAIM**

The ornamental design for a pocket holder for a music stand, as shown and described.

**DESCRIPTION**

FIG. 1 is a perspective view of a pocket holder for a music stand;

FIG. 2 is a front elevation view of the pocket holder shown in FIG. 1;

FIG. 3 is a rear elevation view of the pocket holder shown in FIG. 1;

FIG. 4 is a top plan view of the pocket holder shown in FIG. 1;

FIG. 5 is a bottom plan view of the pocket holder shown in FIG. 1;

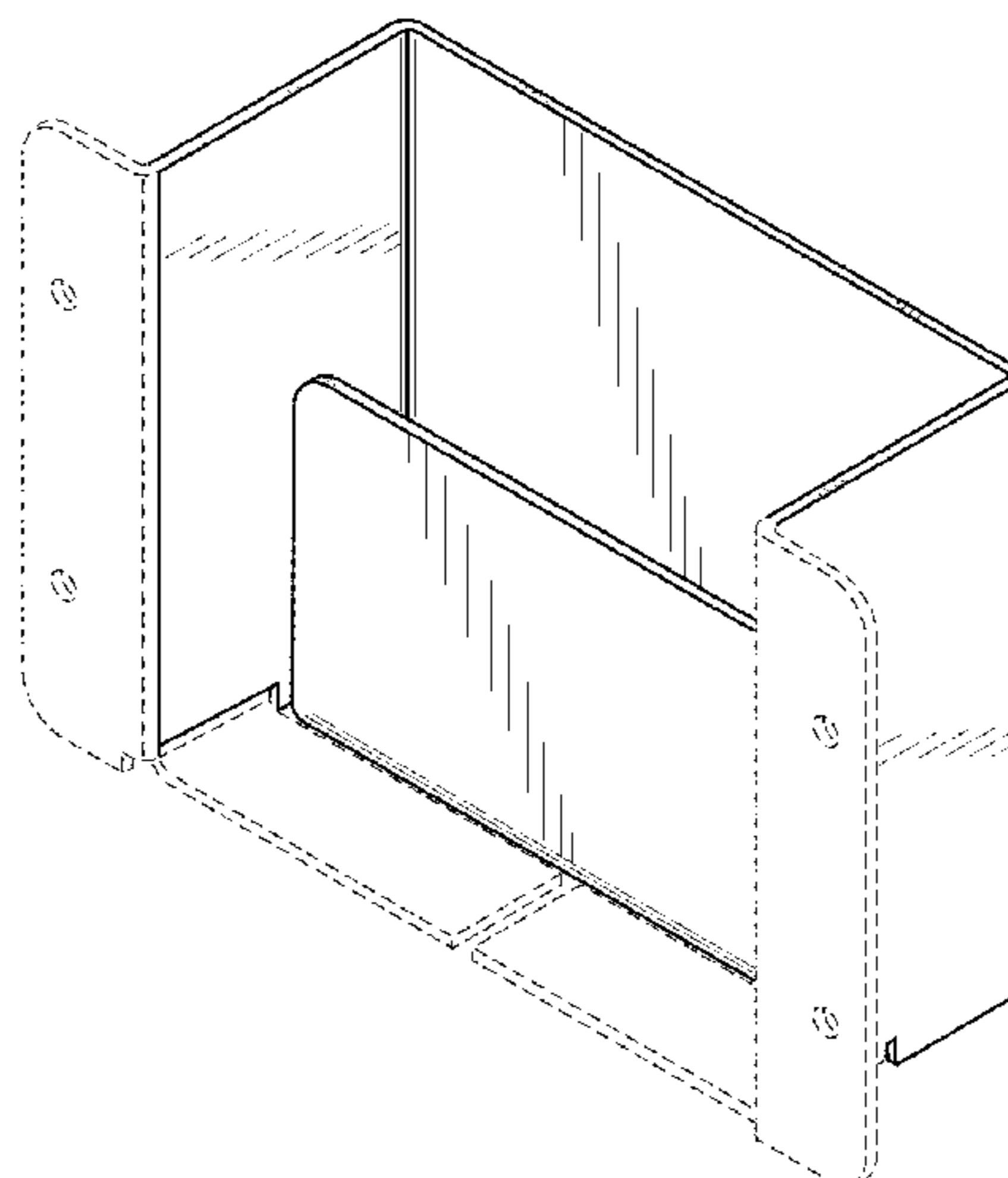
FIG. 6 is a left side elevation view of the pocket holder shown in FIG. 1;

FIG. 7 is a right side elevation view of the pocket holder shown in FIG. 1; and,

FIG. 8 is a perspective view of the attached pocket holder shown in FIG. 1.

The evenly spaced broken lines are directed to environment and form no part of the claimed design.

**1 Claim, 3 Drawing Sheets**



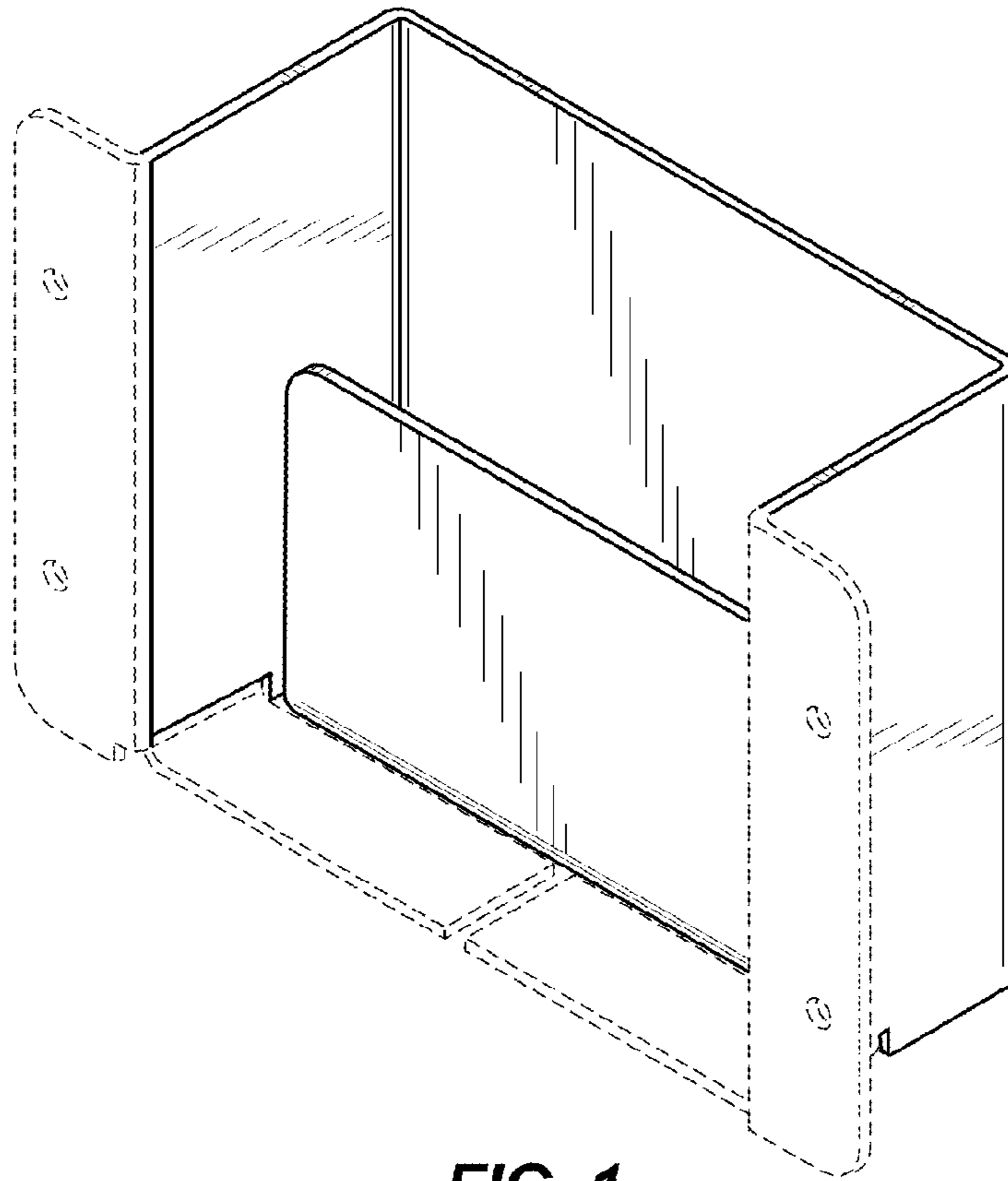
(56)

**References Cited**

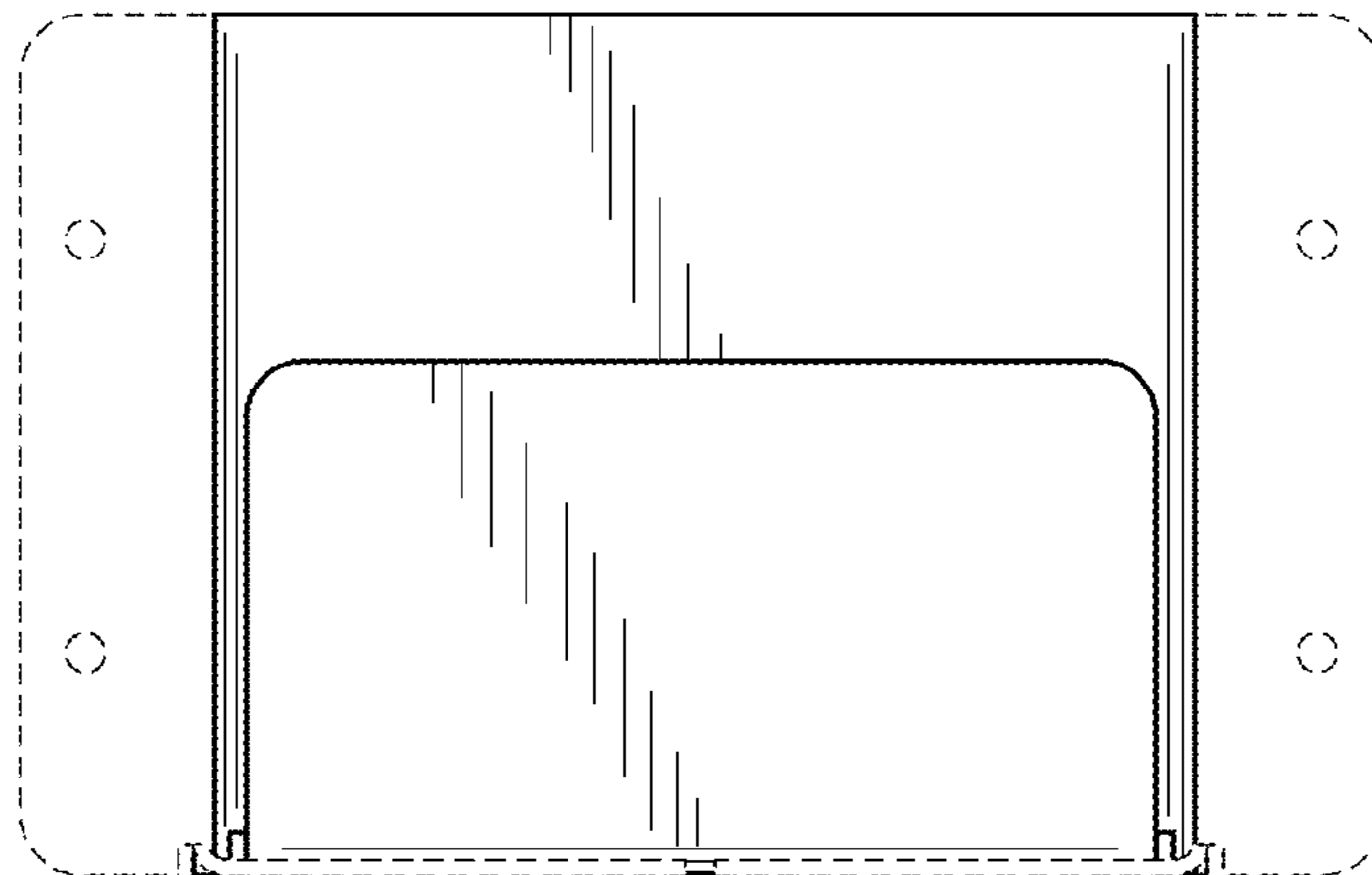
U.S. PATENT DOCUMENTS

D704,949	S	*	5/2014	Rodriguez	.....	D6/513
D725,932	S	*	4/2015	Balogh	.....	D6/513
D725,933	S	*	4/2015	Balogh	.....	D6/513
D725,934	S	*	4/2015	Balogh	.....	D6/513
D726,446	S	*	4/2015	Tollasepp	.....	D6/553
9,196,229	B1		11/2015	Burton		
D757,457	S	*	5/2016	Guindi	.....	D6/513
D761,036	S	*	7/2016	Goodman	.....	D6/513
D776,965	S	*	1/2017	Anderson	.....	D6/705
D804,846	S	*	12/2017	Cockburn	.....	D6/513
2003/0019995	A1		1/2003	Evanoff		
2005/0012014	A1		1/2005	Willner et al.		
2011/0016632	A1	*	1/2011	Hopf	.....	A47B 97/00 5/503.1

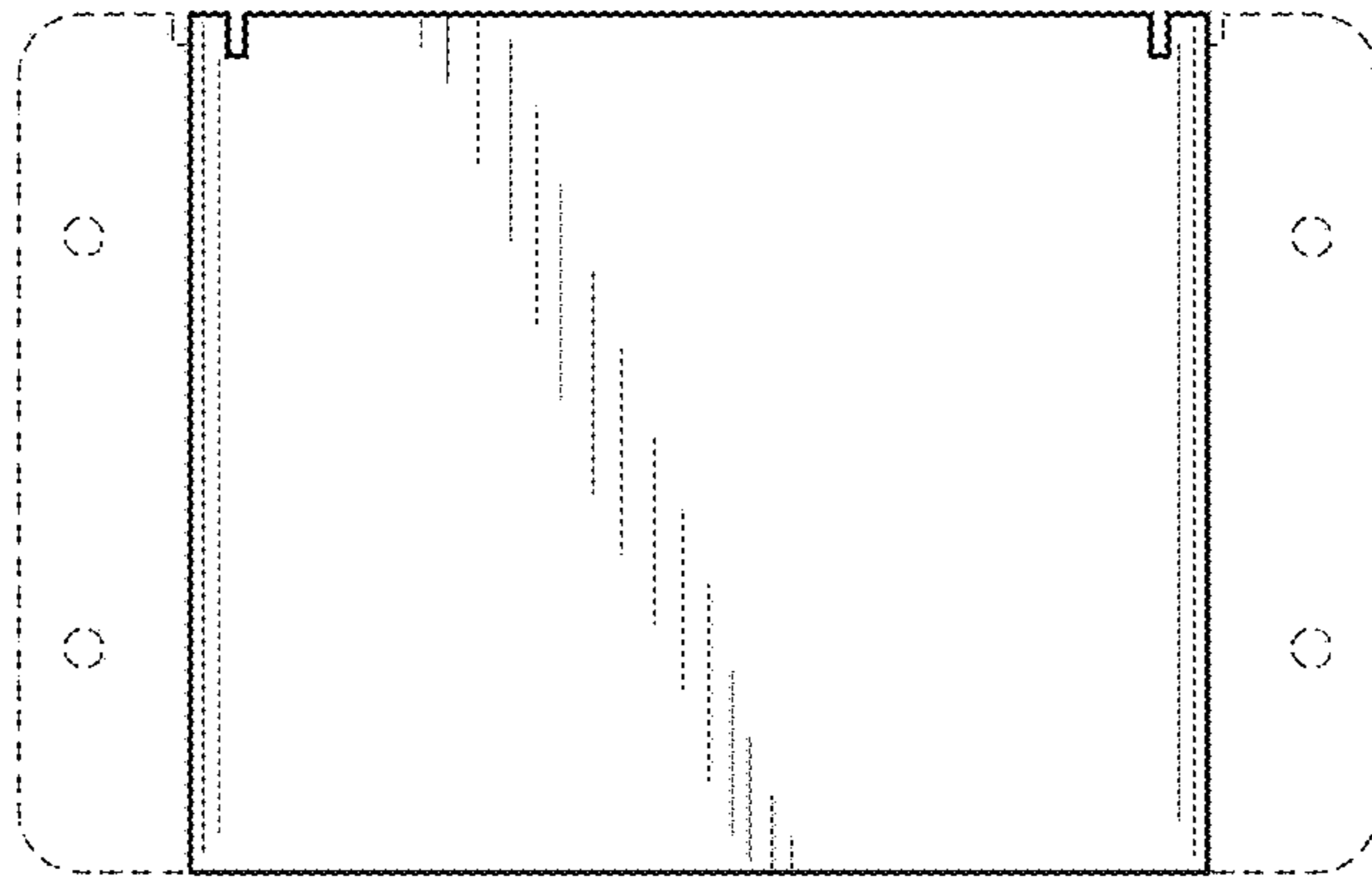
\* cited by examiner



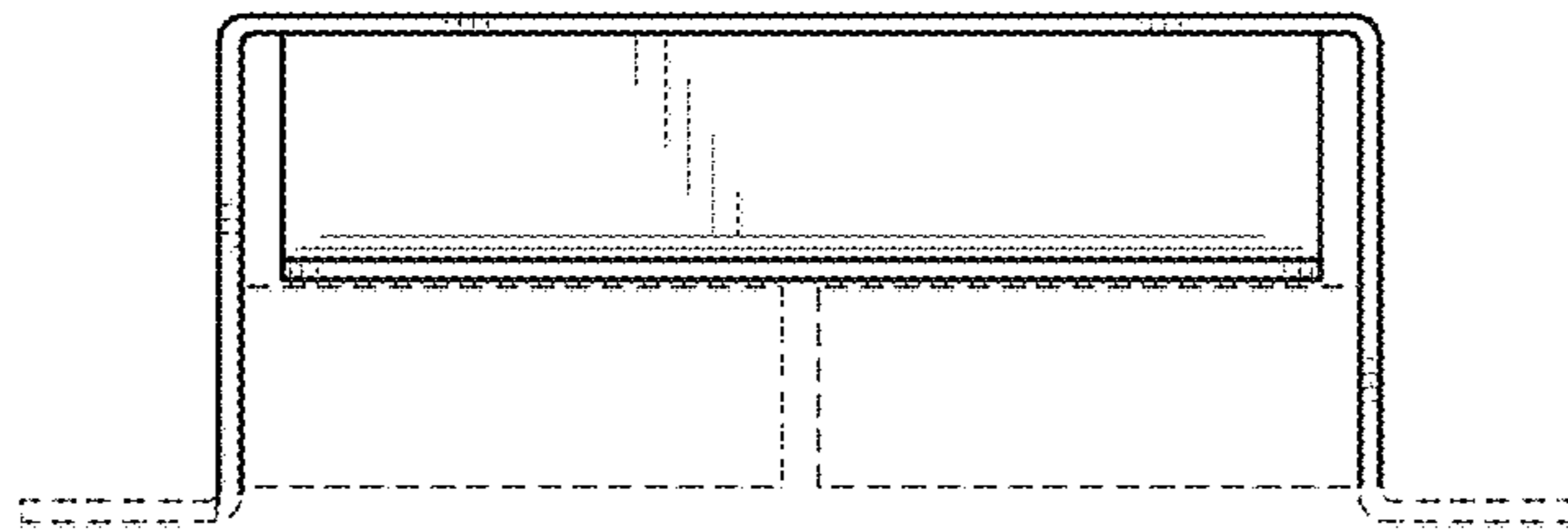
**FIG. 1**



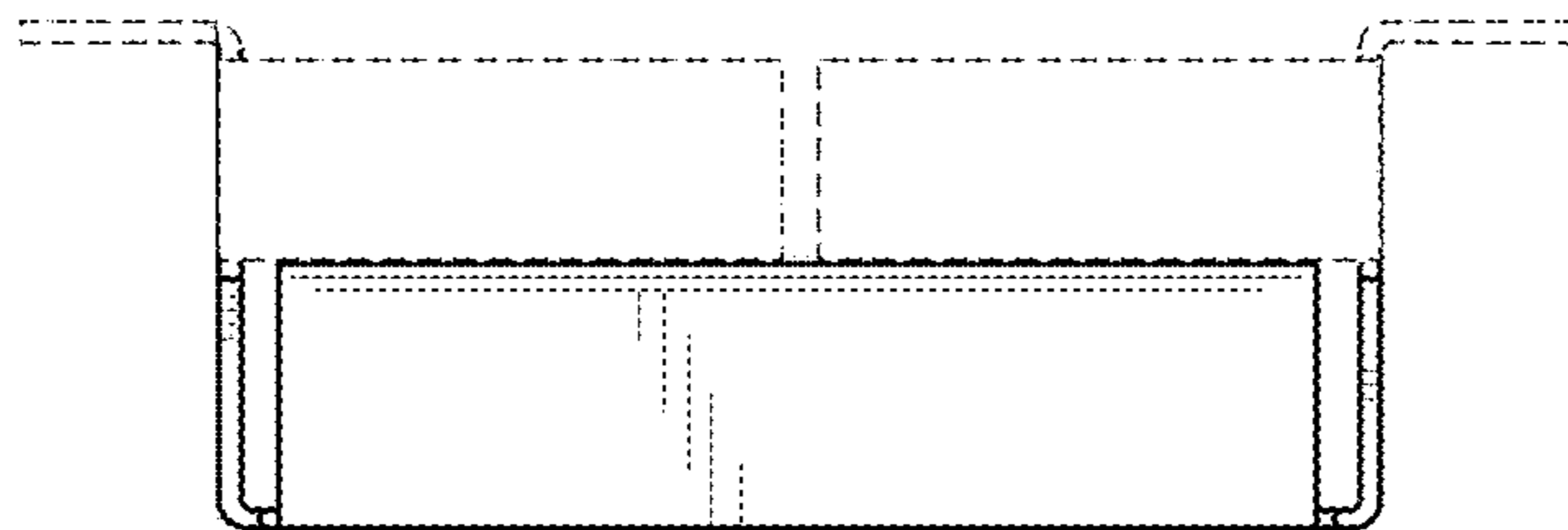
**FIG. 2**



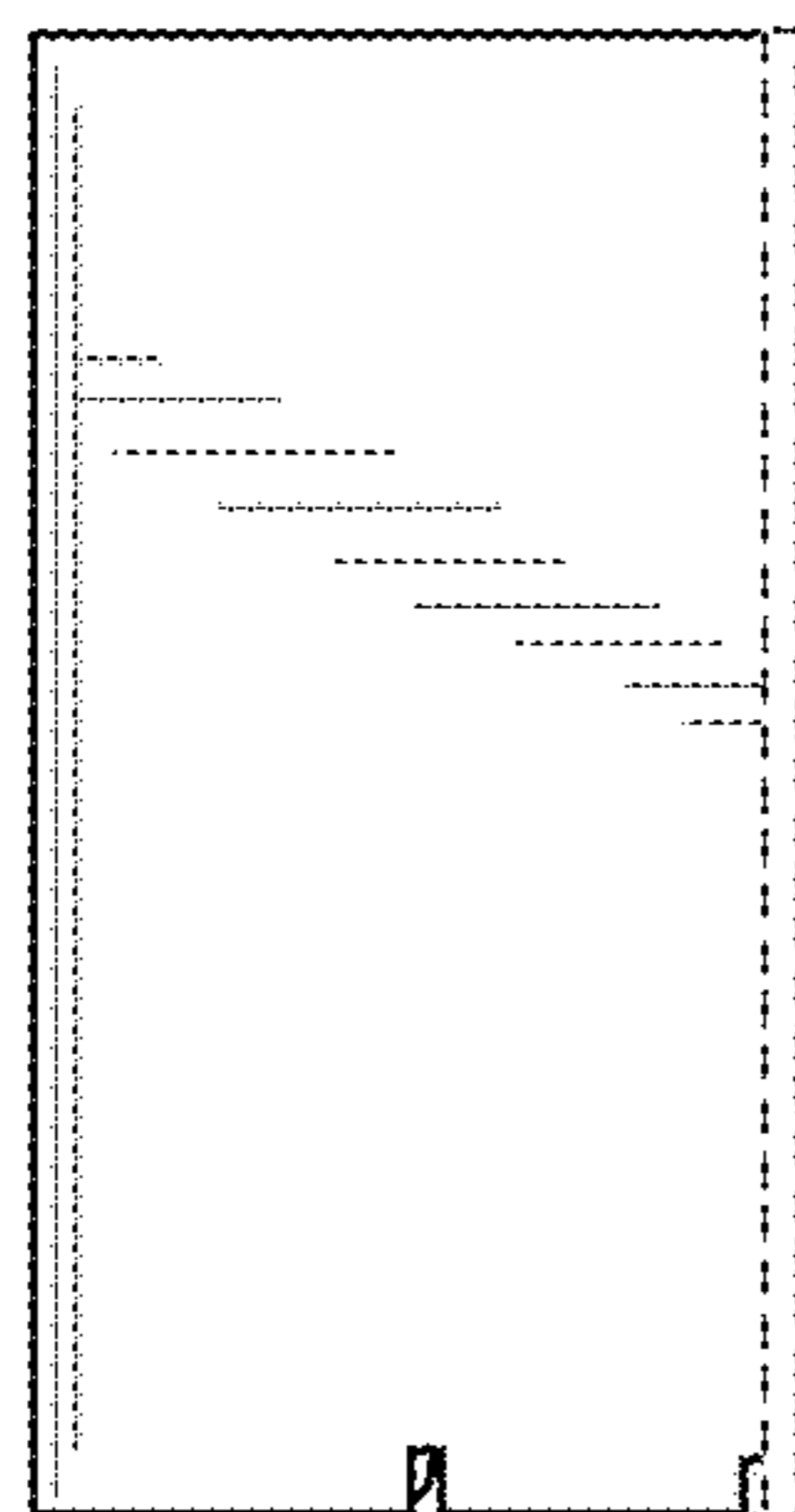
**FIG. 3**



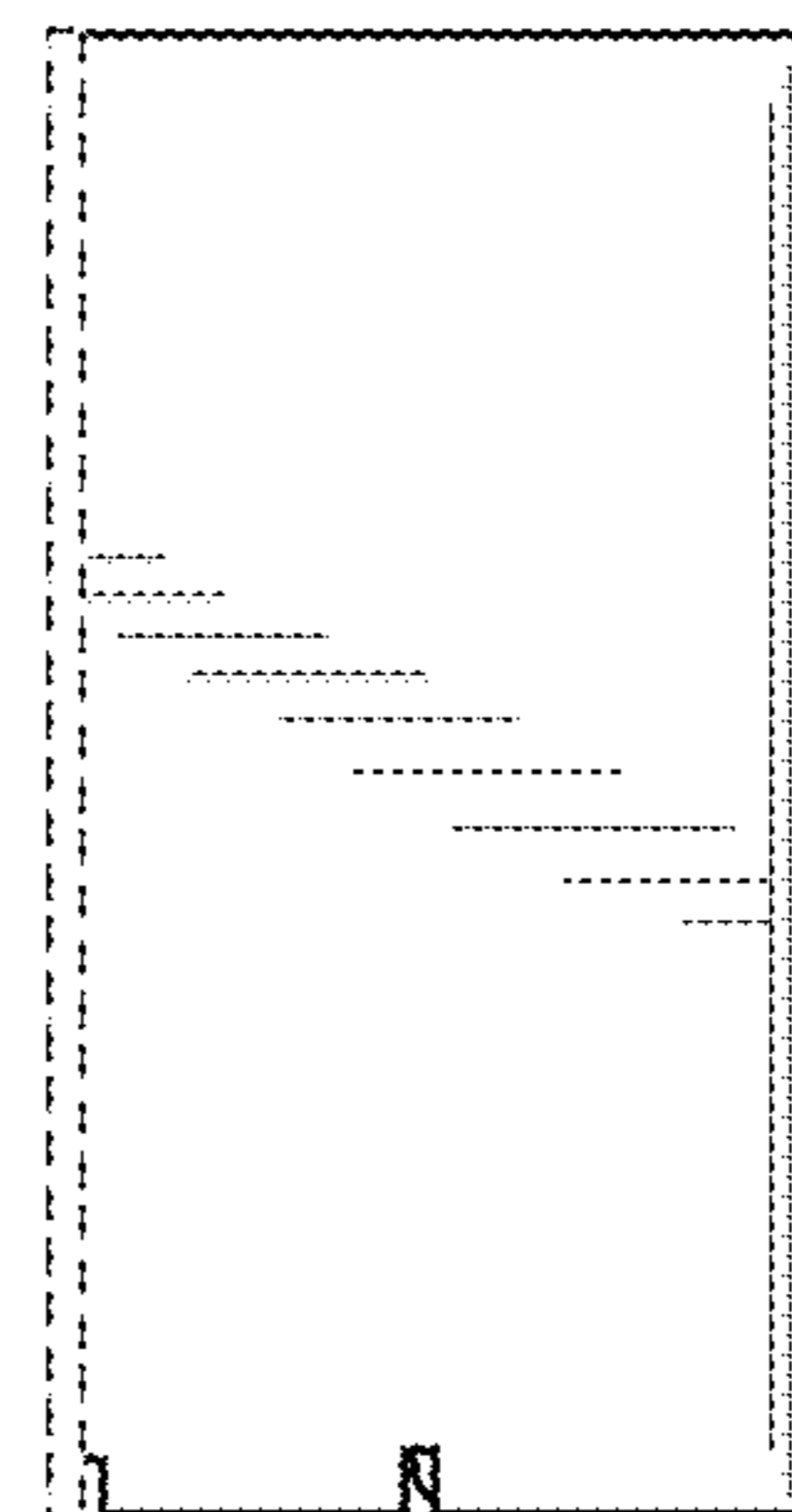
**FIG. 4**



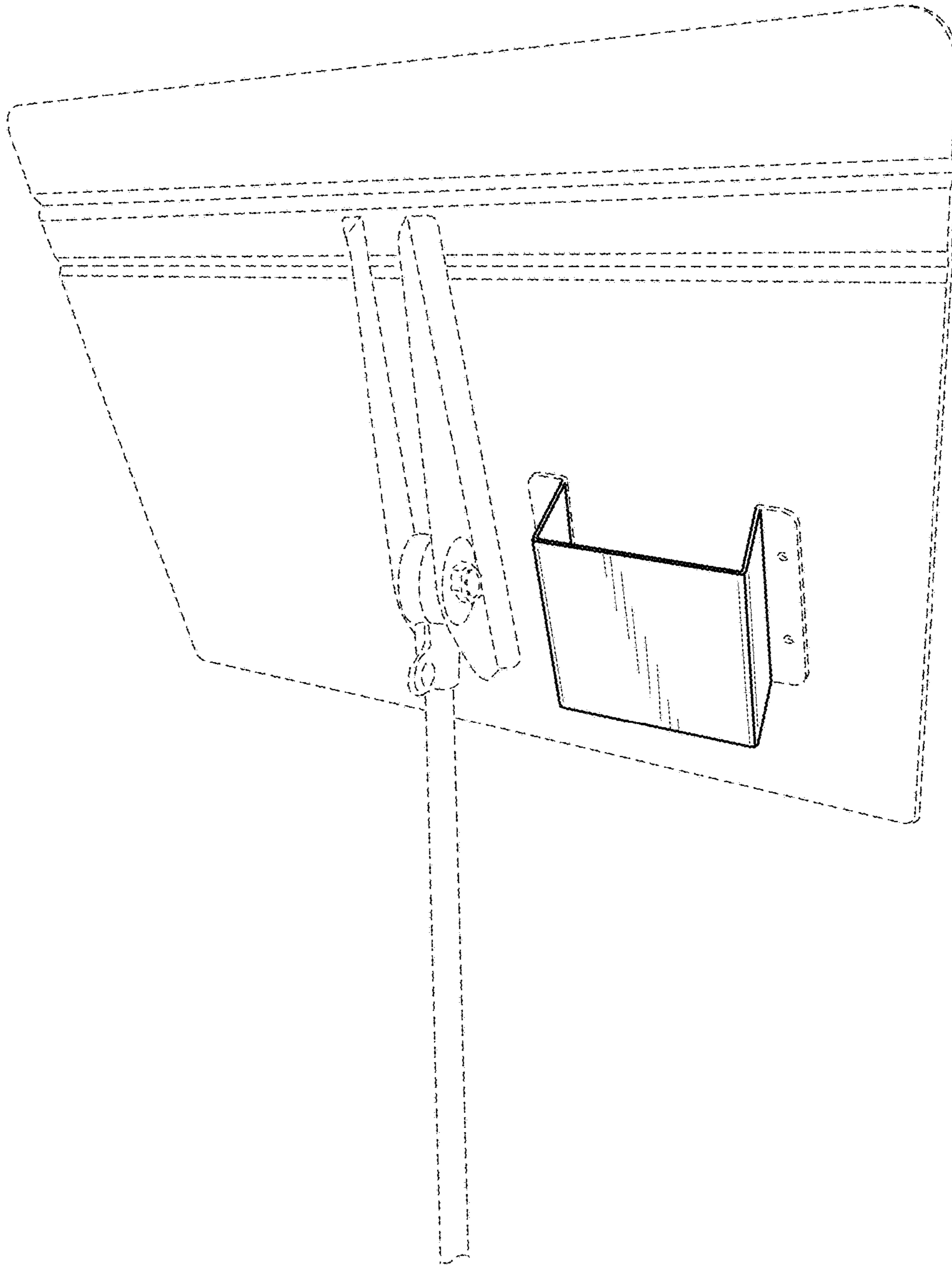
**FIG. 5**



**FIG. 6**



**FIG. 7**



**FIG. 8**

UNITED STATES PATENT AND TRADEMARK OFFICE  
**CERTIFICATE OF CORRECTION**

PATENT NO. : D825,967 S  
APPLICATION NO. : 29/596593  
DATED : August 21, 2018  
INVENTOR(S) : Mary S. Tolokan and RaJean B. Higginson

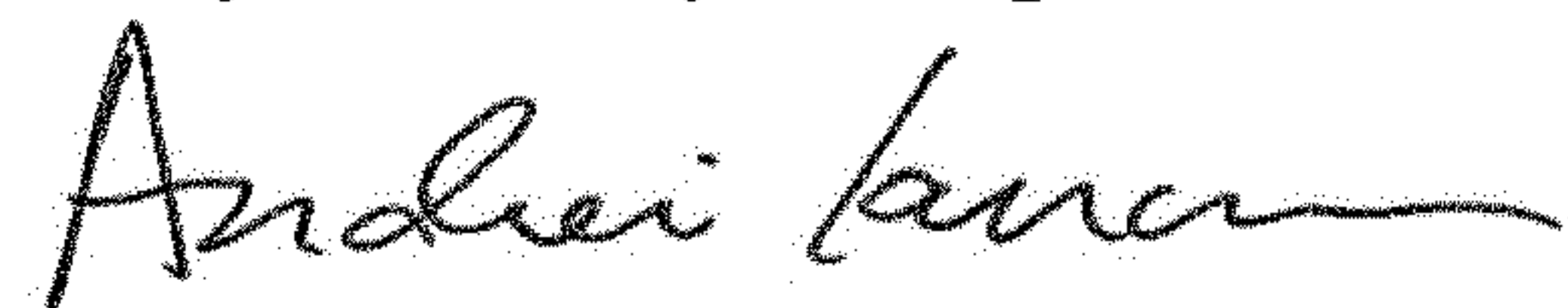
Page 1 of 1

It is certified that error appears in the above-identified patent and that said Letters Patent is hereby corrected as shown below:

On the Title Page

In DESCRIPTION, Line 15: change "FIG. FIG. 8 is" to --FIG. 8 is--

Signed and Sealed this  
Twenty-fifth Day of September, 2018



Andrei Iancu  
*Director of the United States Patent and Trademark Office*