



US00D825965S

(12) **United States Design Patent**  
**Hendifar et al.**

(10) **Patent No.:** **US D825,965 S**  
(45) **Date of Patent:** **\*\* Aug. 21, 2018**

- (54) **DINING TABLE**
- (71) Applicant: **APPARATUS LLC**, New York, NY  
(US)
- (72) Inventors: **Gabriel Hendifar**, Rhinebeck, NY  
(US); **Jeremy R. Anderson**, Rhinebeck,  
NY (US)
- (73) Assignee: **APPARATUS LLC**, New York, NY  
(US)
- (\*\*) Term: **15 Years**
- (21) Appl. No.: **29/558,214**
- (22) Filed: **Mar. 16, 2016**
- (51) **LOC (11) Cl.** ..... **06-03**
- (52) **U.S. Cl.**  
USPC ..... **D6/692.3**
- (58) **Field of Classification Search**  
USPC ..... D6/349, 685, 690, 692, 692.1–692.6  
CPC ..... A47B 7/00; A47B 13/00; A47B 13/003;  
A47B 13/02; A47B 13/023; A47B 13/04;  
A47B 13/06; A47B 13/08; A47B 13/081;  
A47B 13/12; A47B 21/00; A47B  
2200/0011; A47B 2200/0015; A47B  
2200/0016; A47B 2200/002  
See application file for complete search history.

D298,196 S *	10/1988	Cionini	.....	D6/692.3
D415,634 S *	10/1999	Lin	.....	D6/692.3
D431,132 S *	9/2000	Lewis	.....	D6/692.3
D562,599 S *	2/2008	Everson	.....	A47B 3/12
				D6/692.3
D613,096 S *	4/2010	Stoepker	.....	D6/692.3
D734,100 S *	7/2015	Miller	.....	D7/501
D745,297 S *	12/2015	Ye	.....	D6/692.3
D769,036 S *	10/2016	Manea	.....	D6/692.3
D782,856 S *	4/2017	Broen	.....	D6/692.3

**OTHER PUBLICATIONS**

Web page from online catalogue of Chairish, Inc.; © 2016 Chairish inc. All rights reserved. 570 Pacific Avenue 2nd Floor San Francisco, CA 94113; <https://www.chairish.com/product/279152/2-piece-travertine-triangle-coffee-table>.

\* cited by examiner

*Primary Examiner* — Mary Ann Calabrese  
(74) *Attorney, Agent, or Firm* — Gottlieb, Rackman & Reisman, P.C.

(57) **CLAIM**

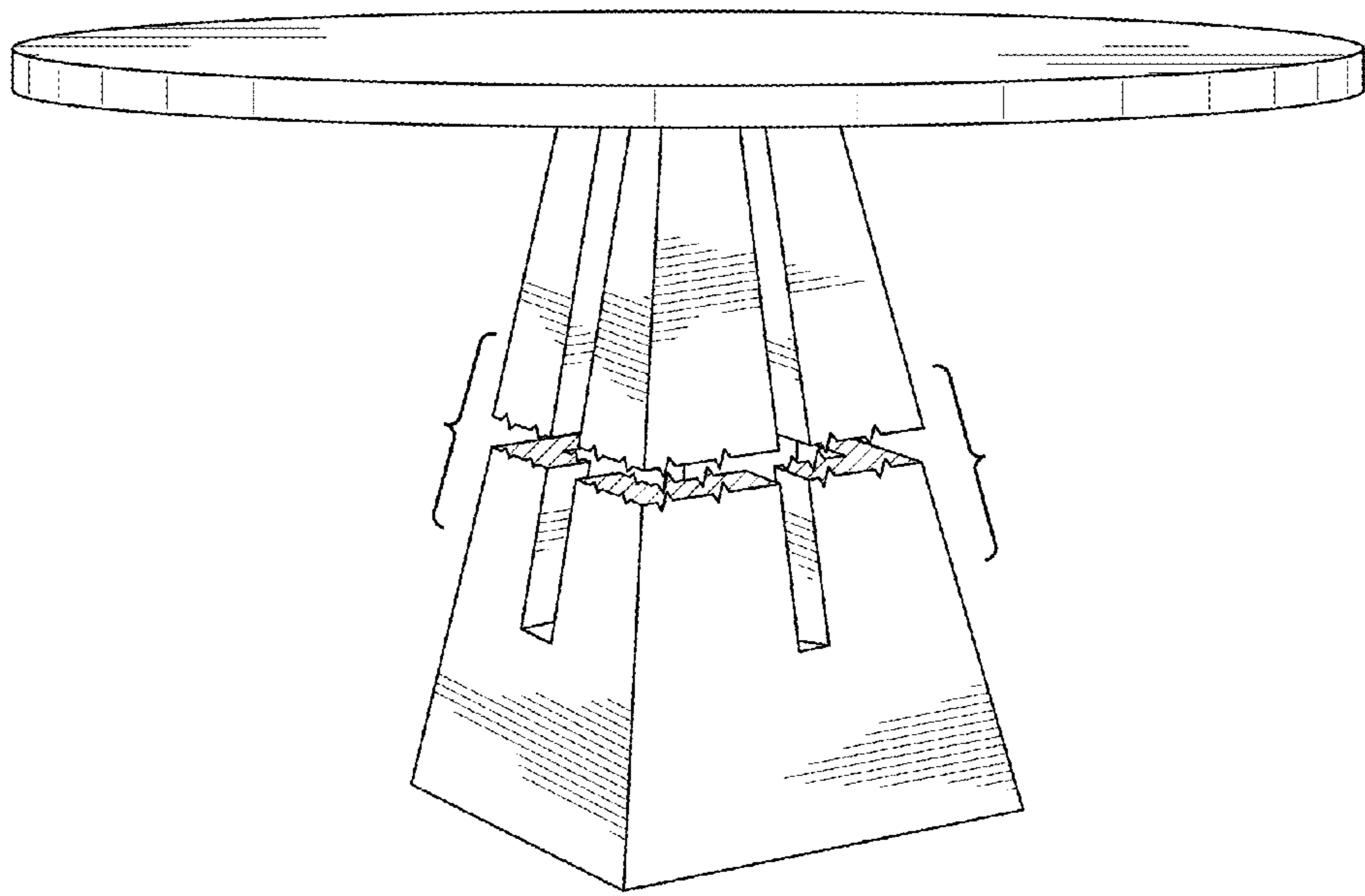
The ornamental design for a dining table, as shown and described.

**DESCRIPTION**

FIG. 1 is a perspective view of the dining table, showing our design;  
FIG. 2 is a front view elevation view thereof;  
FIG. 3 is a bottom plan view thereof; and,  
FIG. 4 is a top plan view thereof.  
The broken lines show portions of the dining table that form no part of the claimed design.

**1 Claim, 4 Drawing Sheets**

- (56) **References Cited**  
U.S. PATENT DOCUMENTS  
609,592 A \* 8/1898 Schultz ..... A47B 3/12  
108/150  
D222,082 S \* 9/1971 Kleinert ..... D6/692.3



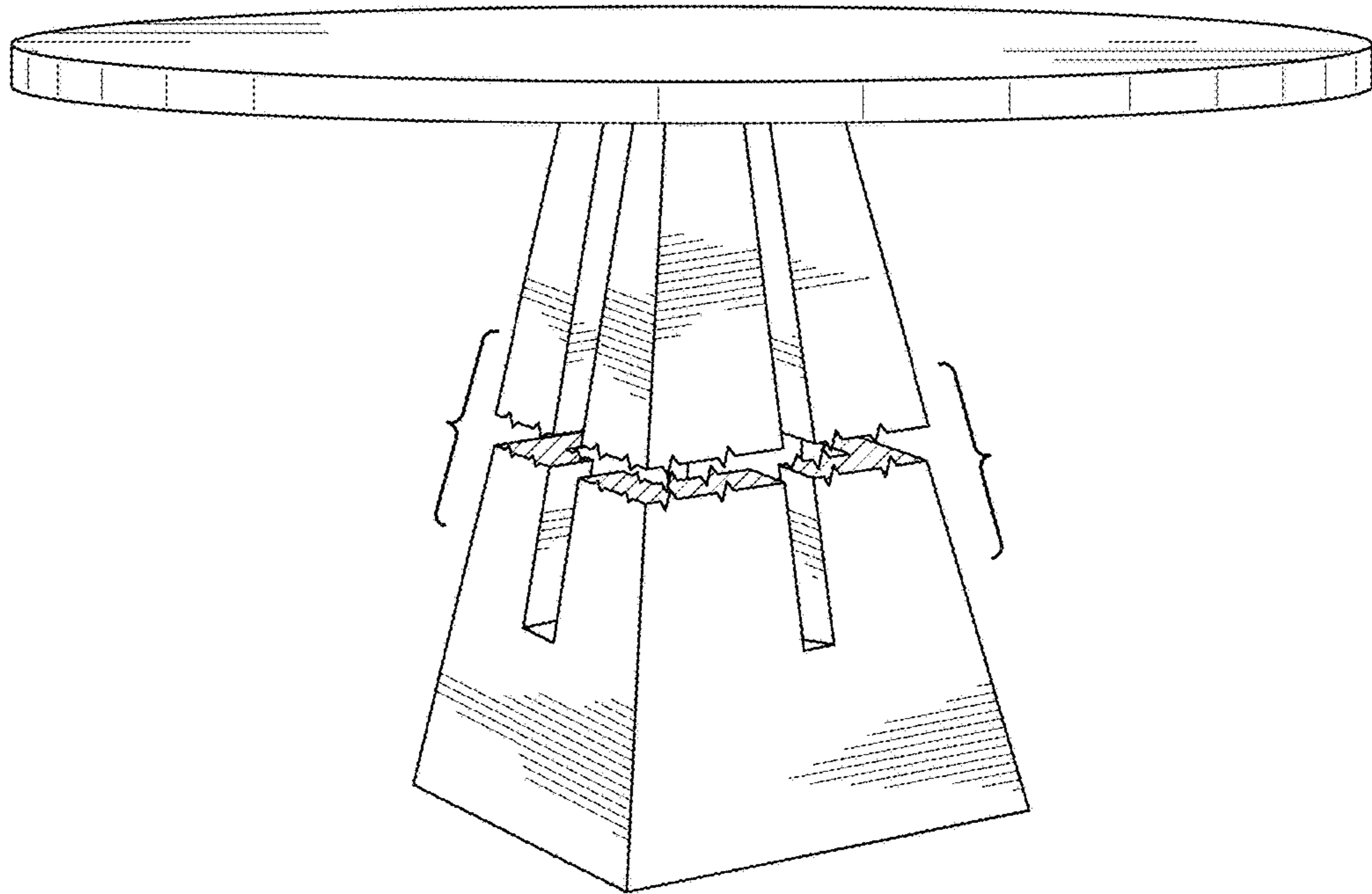


FIG. 1

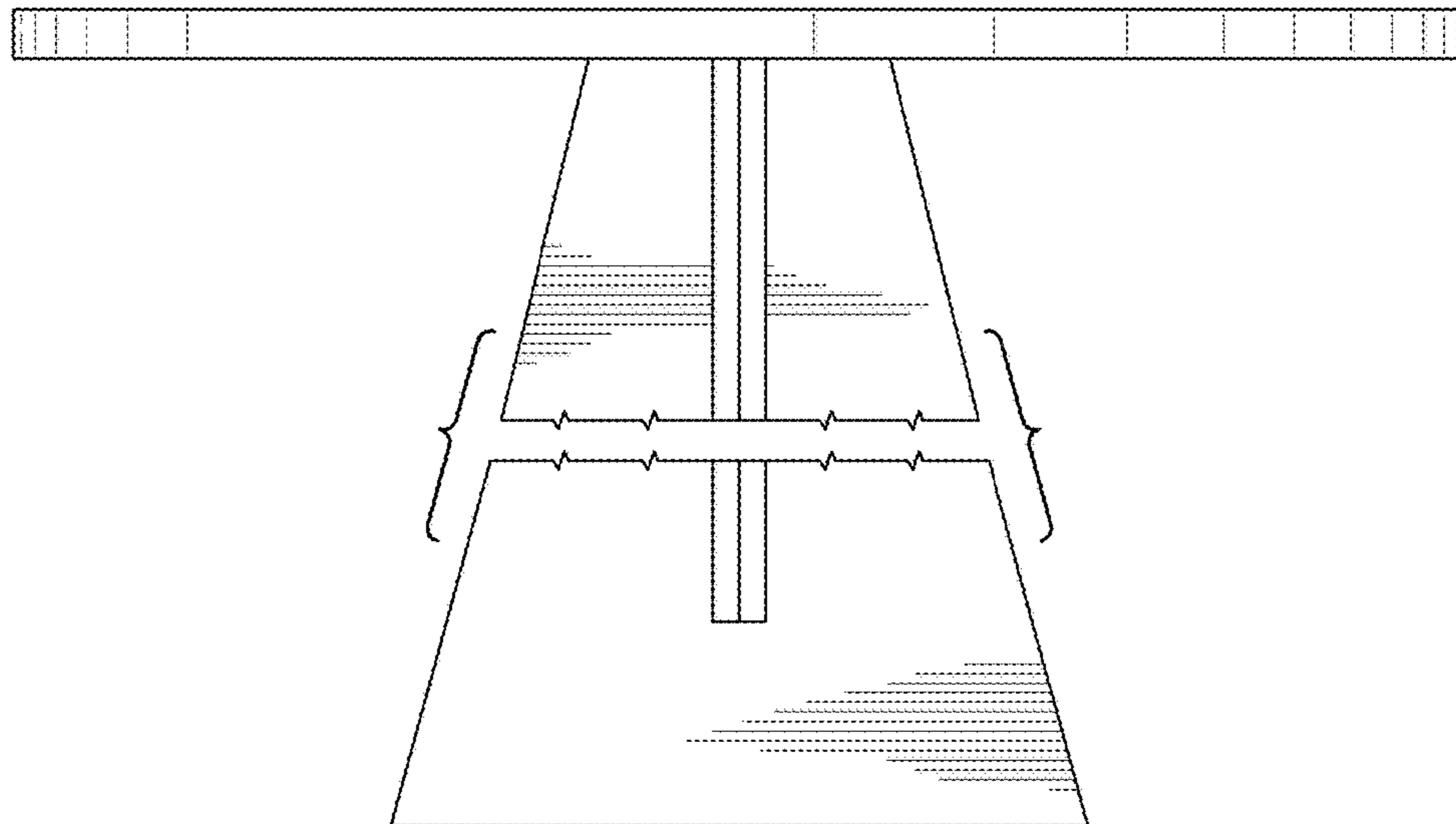


FIG. 2

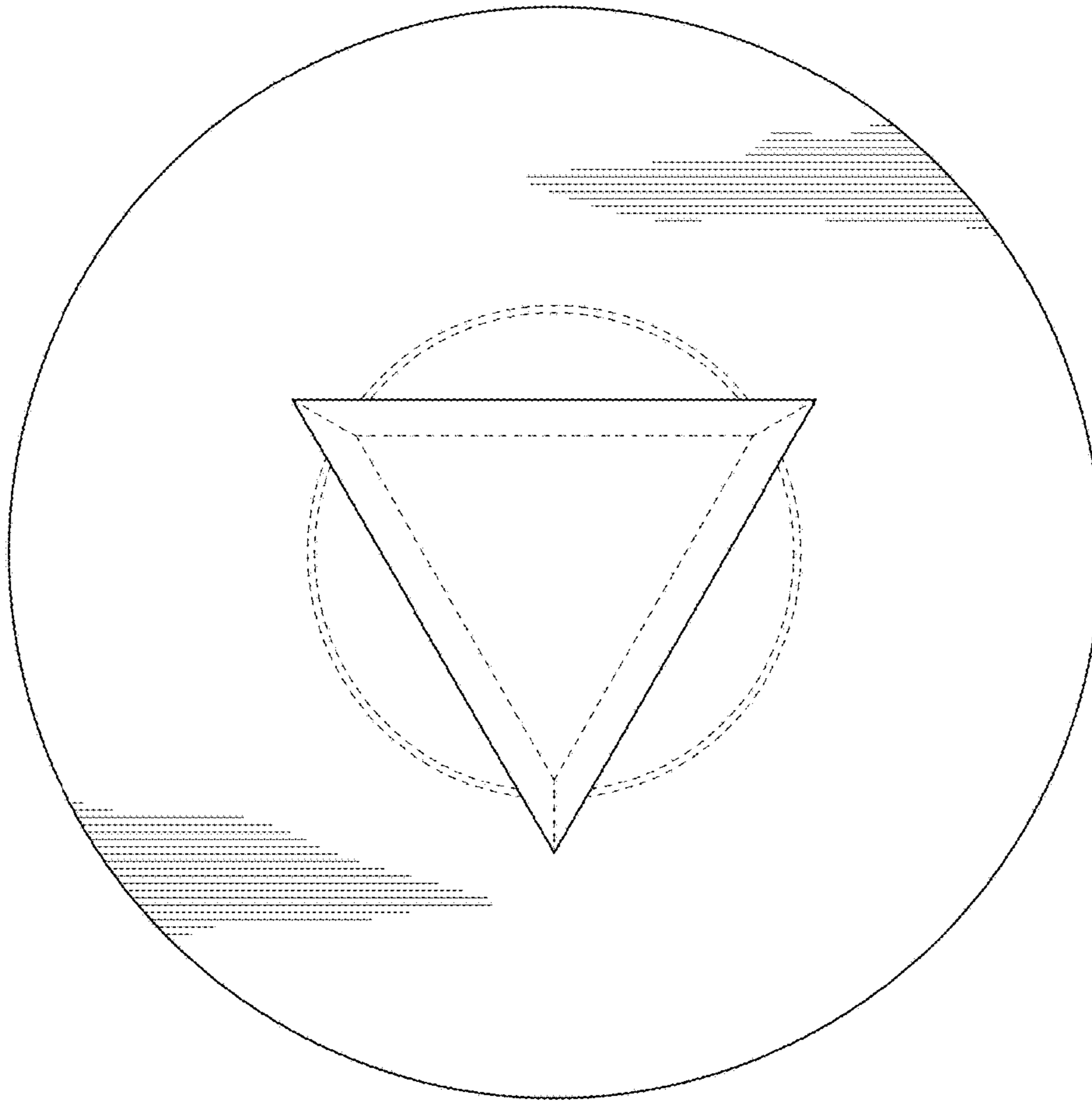


FIG. 3

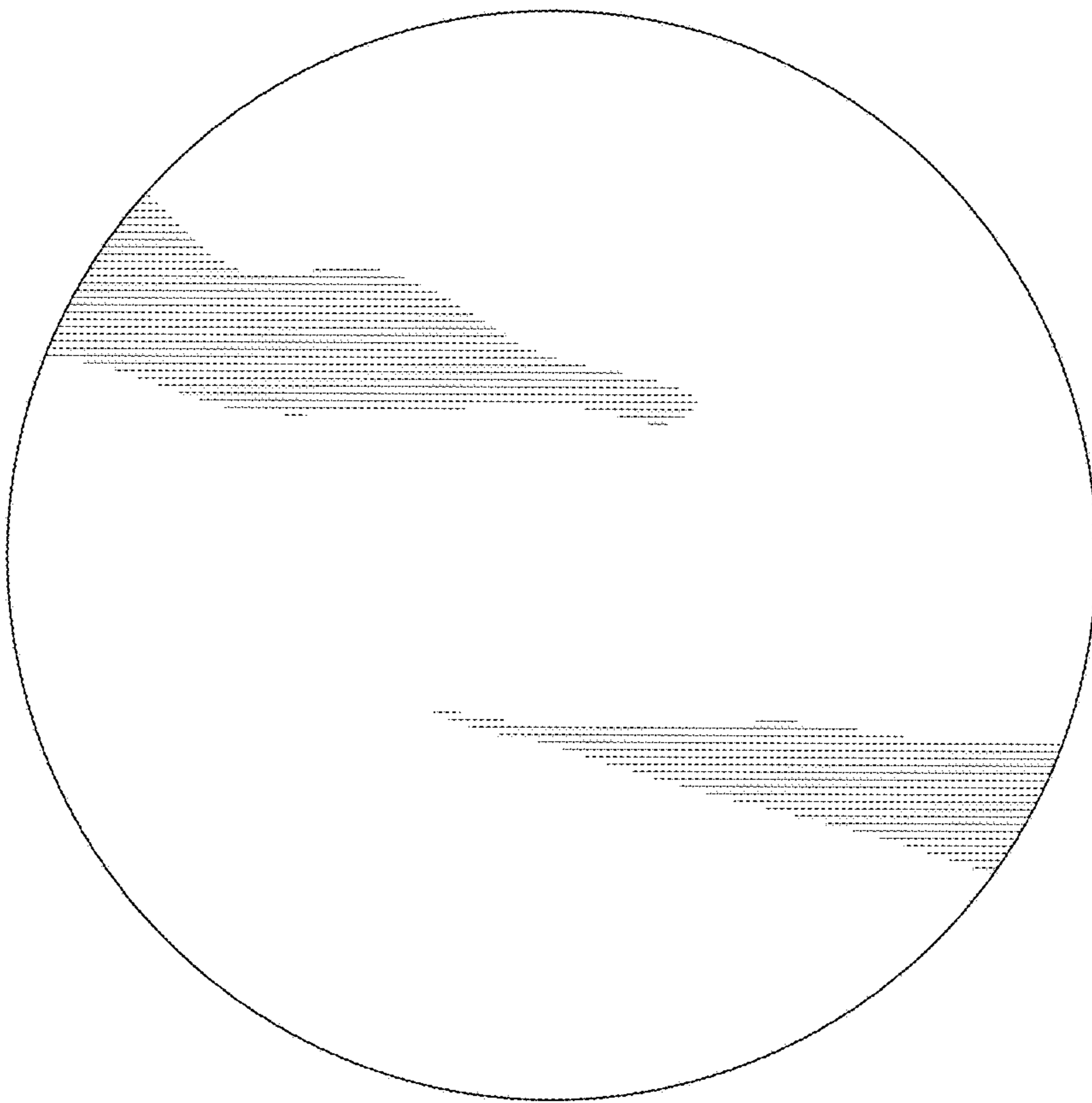


FIG.4