



US00D825961S

(12) **United States Design Patent** (10) **Patent No.:** **US D825,961 S**  
**Vaults** (45) **Date of Patent:** **\*\* Aug. 21, 2018**

(54) **MULTIPLE BATHROOM ACCESSORY HOLDERS AND A STAND**

(71) Applicant: **Earl Vaults**, San Diego, CA (US)

(72) Inventor: **Earl Vaults**, San Diego, CA (US)

(\*\*) Term: **15 Years**

(21) Appl. No.: **29/593,337**

(22) Filed: **Feb. 8, 2017**

(51) **LOC (11) Cl.** ..... **06-06**

(52) **U.S. Cl.**

USPC ..... **D6/677.1**

(58) **Field of Classification Search**

USPC ..... D6/672, 673, 677, 677.1, 702, 705, 512;  
D7/601, 602

CPC ..... A47J 47/16; A47G 19/02; A47G 23/06;  
A47F 5/0018; A47F 5/0043; A47F 5/04

See application file for complete search history.

(56) **References Cited**

U.S. PATENT DOCUMENTS

D172,256 S *	5/1954	Trout et al. ....	D6/677.1
D220,046 S *	3/1971	Pascarella et al. ....	D6/677.1
3,806,399 A	4/1974	Cocjin	
D234,475 S *	3/1975	Markus .....	D6/677.1
D270,974 S *	10/1983	Persch .....	D6/677.1
D297,191 S *	8/1988	Frieden, Jr. ....	D6/677.1
5,318,189 A	6/1994	Lee	
D354,862 S *	1/1995	Goldberg .....	D6/677.1
D357,160 S *	4/1995	Fritze .....	D6/677.3
5,862,924 A	1/1999	Dumont	
D461,669 S	8/2002	Cheng	
D472,414 S	4/2003	Gilbert	
D476,835 S	7/2003	Lai	
6,702,129 B1	3/2004	Harris	

(Continued)

Primary Examiner — Kelley Donnelly

(57) **CLAIM**

The ornamental design for a multiple bathroom accessory holders and a stand, as shown and described.

**DESCRIPTION**

FIG. 1 is a perspective view of a multiple bathroom accessory holders and a stand showing my new design;

FIG. 2 is a front view thereof;

FIG. 3 is a back view thereof;

FIG. 4 is a top view thereof;

FIG. 5 is a bottom view thereof;

FIG. 6 is a side view thereof, the opposite side being a mirror image thereof;

FIG. 7 is another perspective view thereof showing an alternate position;

FIG. 8 is another perspective view thereof showing an alternate position and with environmental subject matter;

FIG. 9 is another perspective view thereof showing the design in an extended position with environmental subject matter;

FIG. 10 is another perspective view thereof showing an alternate position with environmental subject matter;

FIG. 11 is another perspective view thereof showing an alternate position with environmental subject matter;

FIG. 12 is another perspective view thereof showing an alternate position with environmental subject matter;

FIG. 13 is another perspective view thereof showing an alternate position with environmental subject matter;

FIG. 14 is another perspective view thereof showing an alternate position with environmental subject matter;

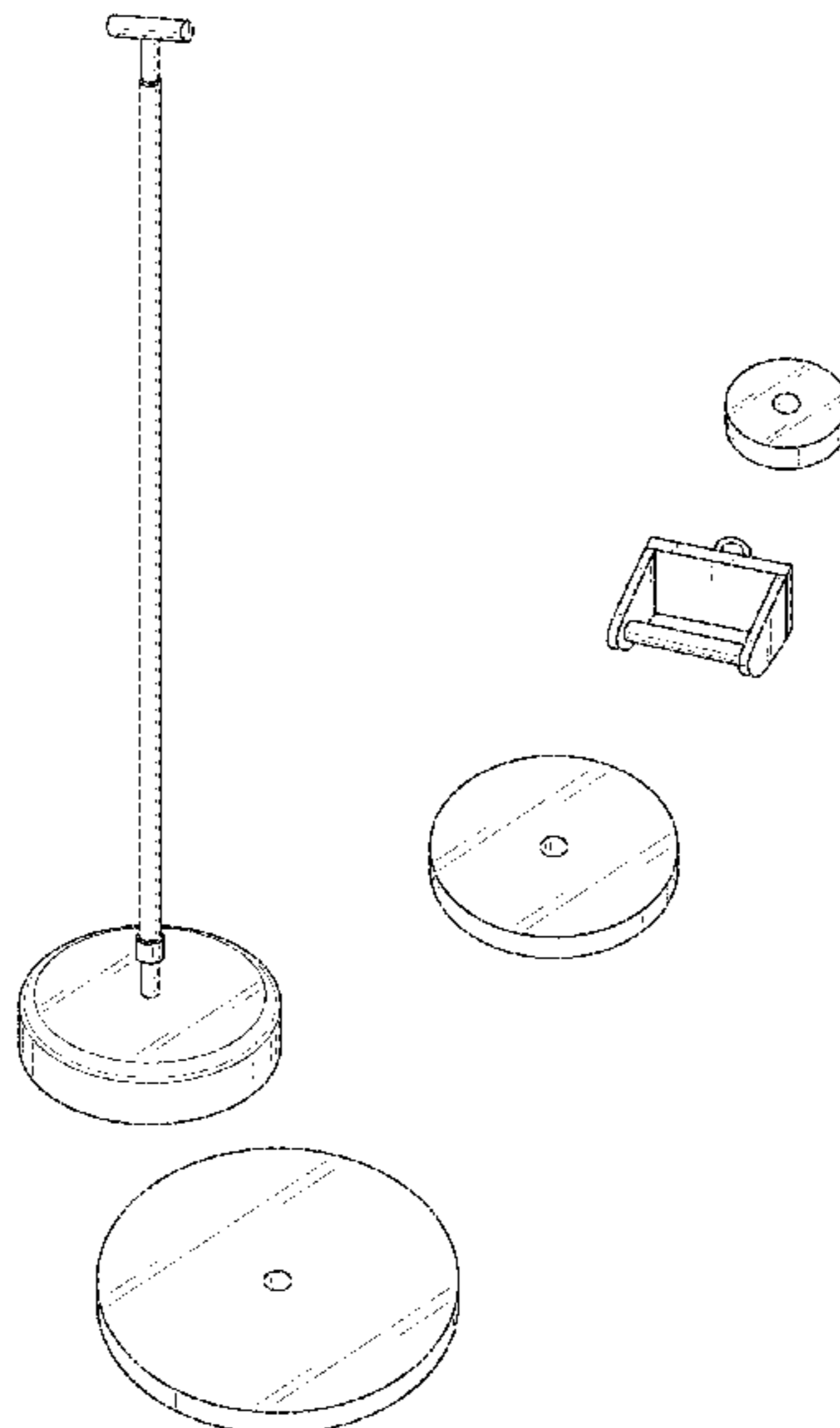
FIG. 15 is another perspective view thereof showing an alternate position with environmental subject matter;

FIG. 16 is another perspective view thereof showing an alternate position with environmental subject matter; and,

FIG. 17 is another perspective view thereof showing an alternate position.

The broken lines showing are for the purposes of illustrating the environment of the article only and form no part of the claimed design.

1 Claim, 12 Drawing Sheets



(56)

**References Cited**

U.S. PATENT DOCUMENTS

6,974,043	B1	12/2005	Lai	
6,988,691	B1	1/2006	Lai	
D520,281	S	5/2006	Lin	
7,458,475	B2	12/2008	Ho	
D601,365	S *	10/2009	LaValley .....	D6/677.1
D642,410	S	8/2011	Vaults	
D793,130	S *	8/2017	Ellison .....	D6/677.1
2006/0186073	A1	8/2006	Roe et al.	
2006/0261022	A1	11/2006	Sampaio	

\* cited by examiner

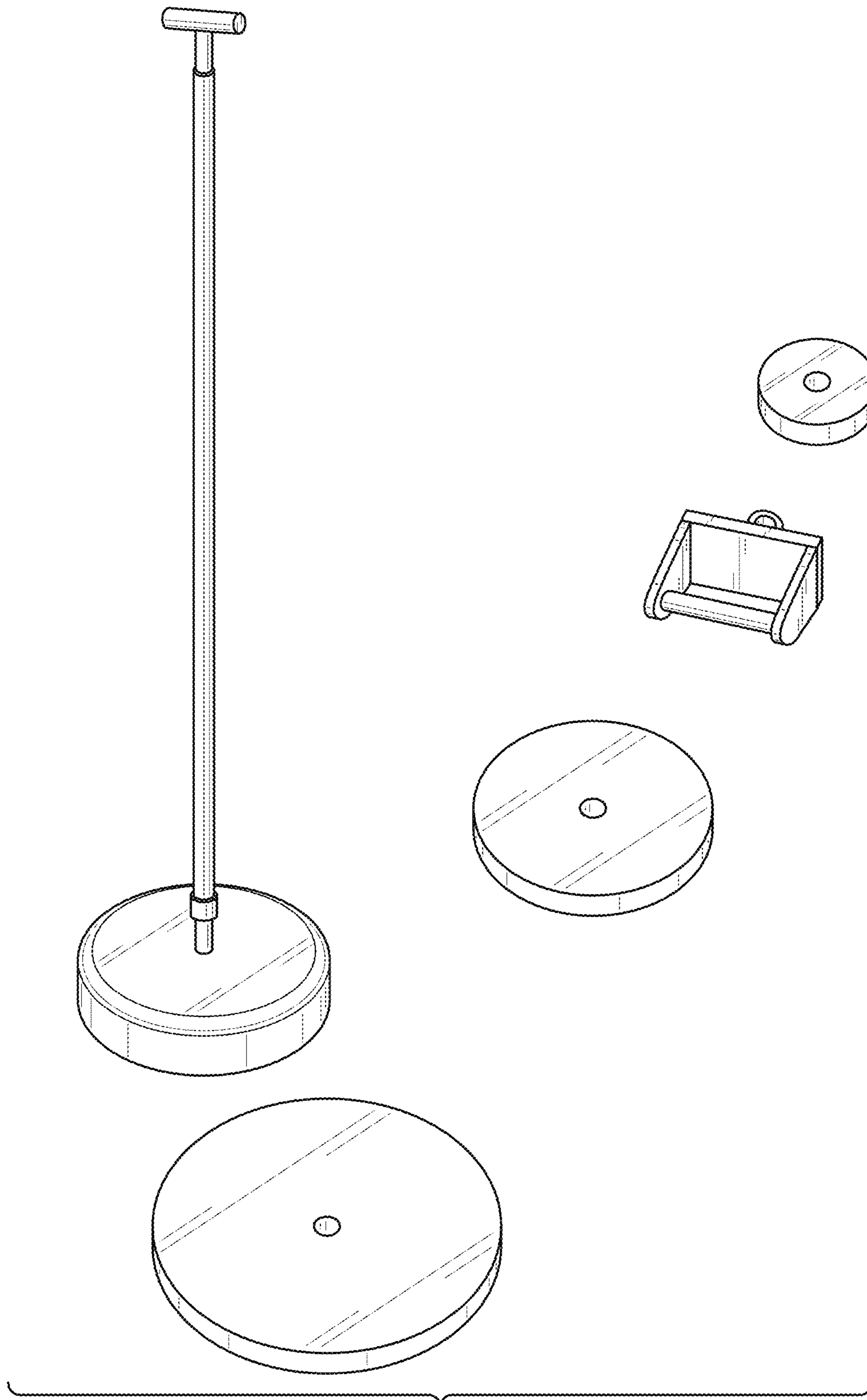


FIG. 1

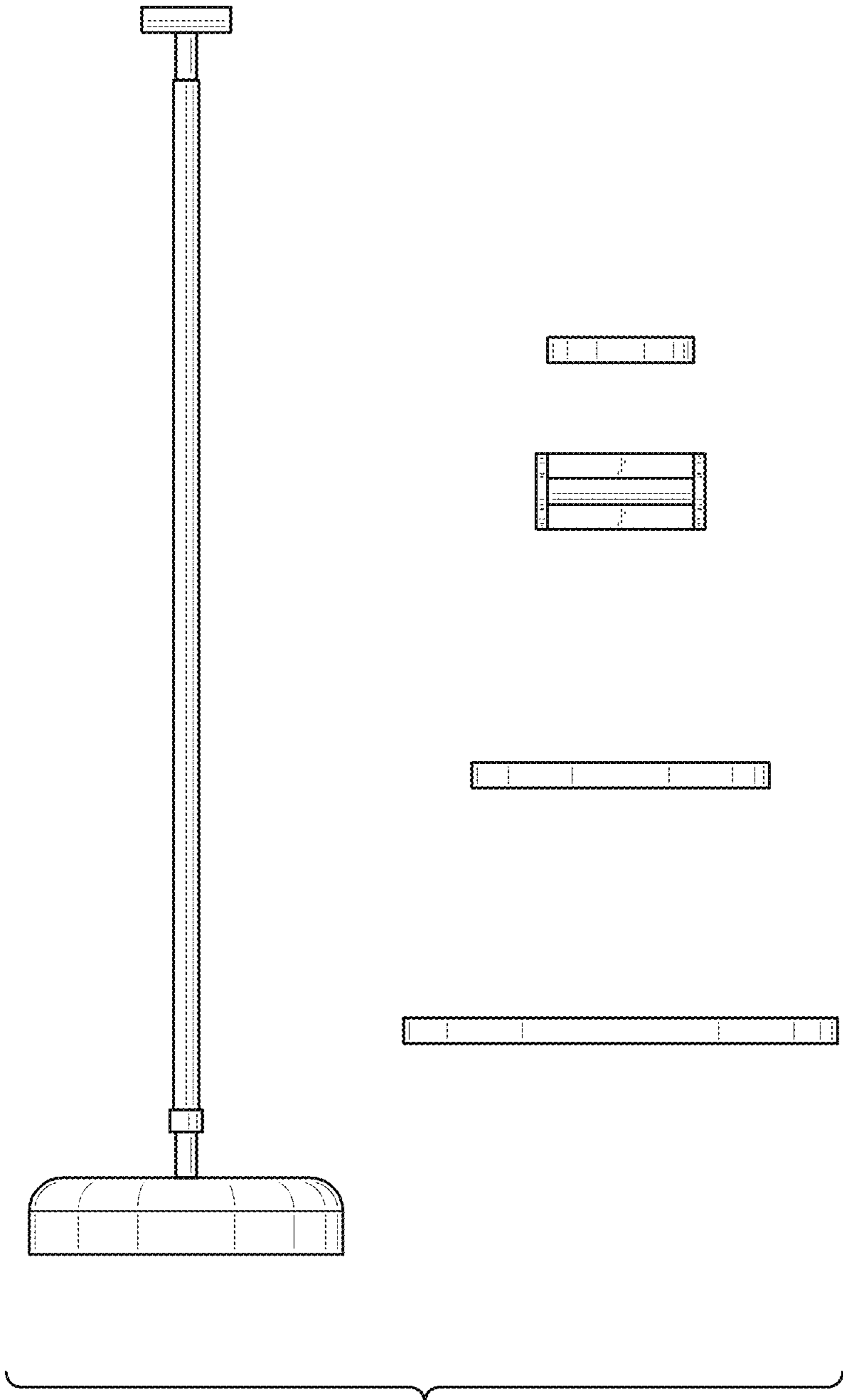
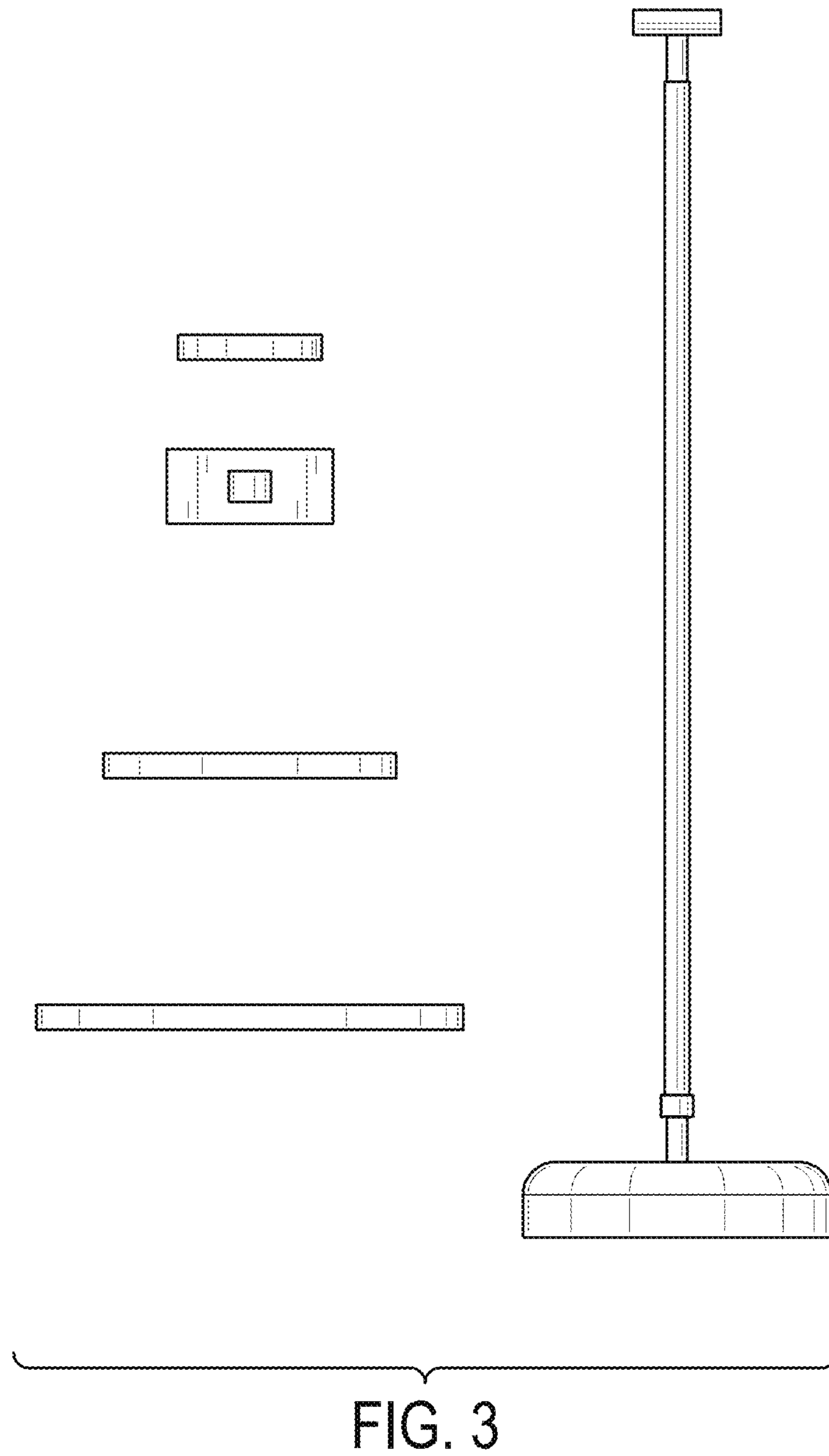


FIG. 2



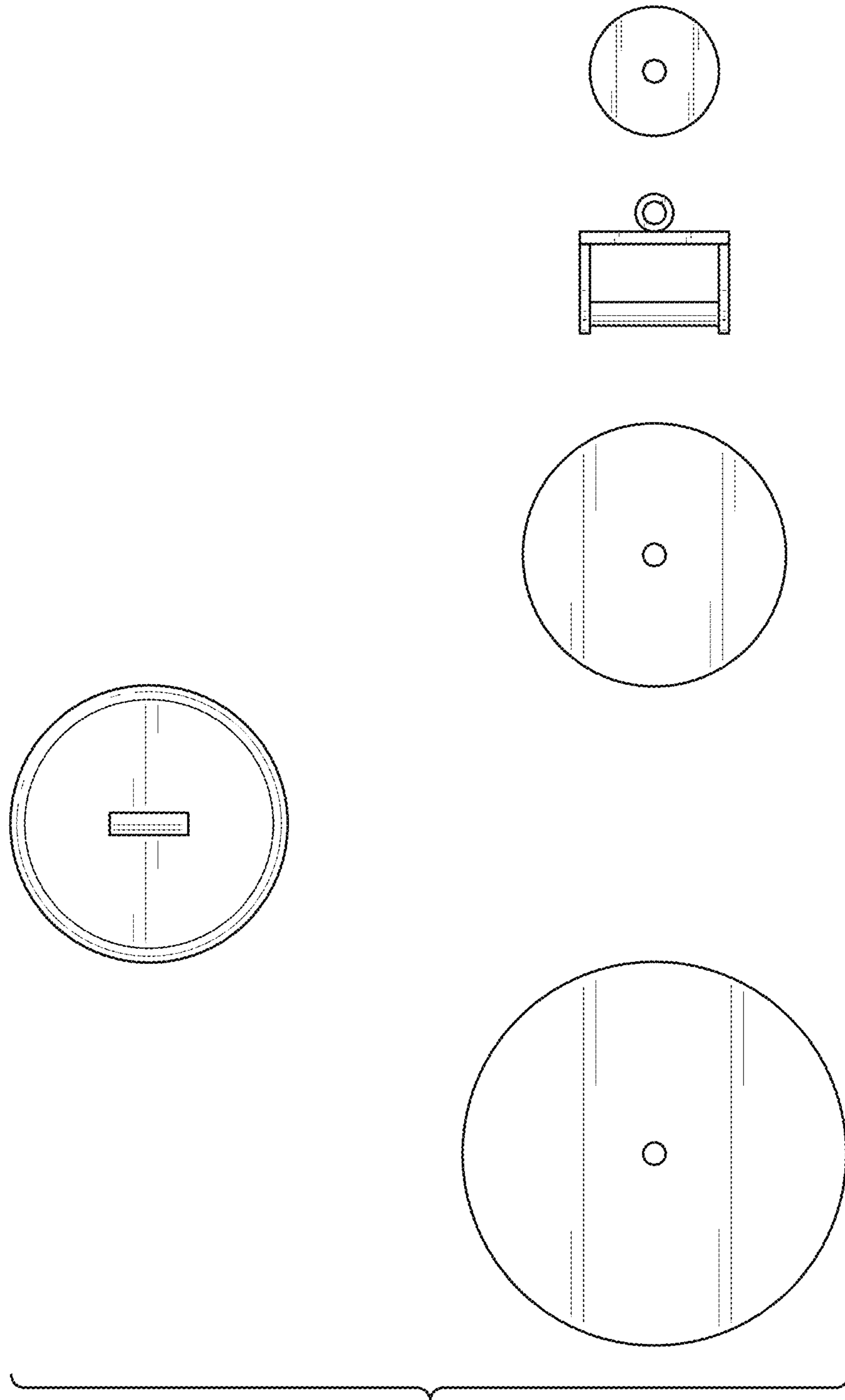


FIG. 4

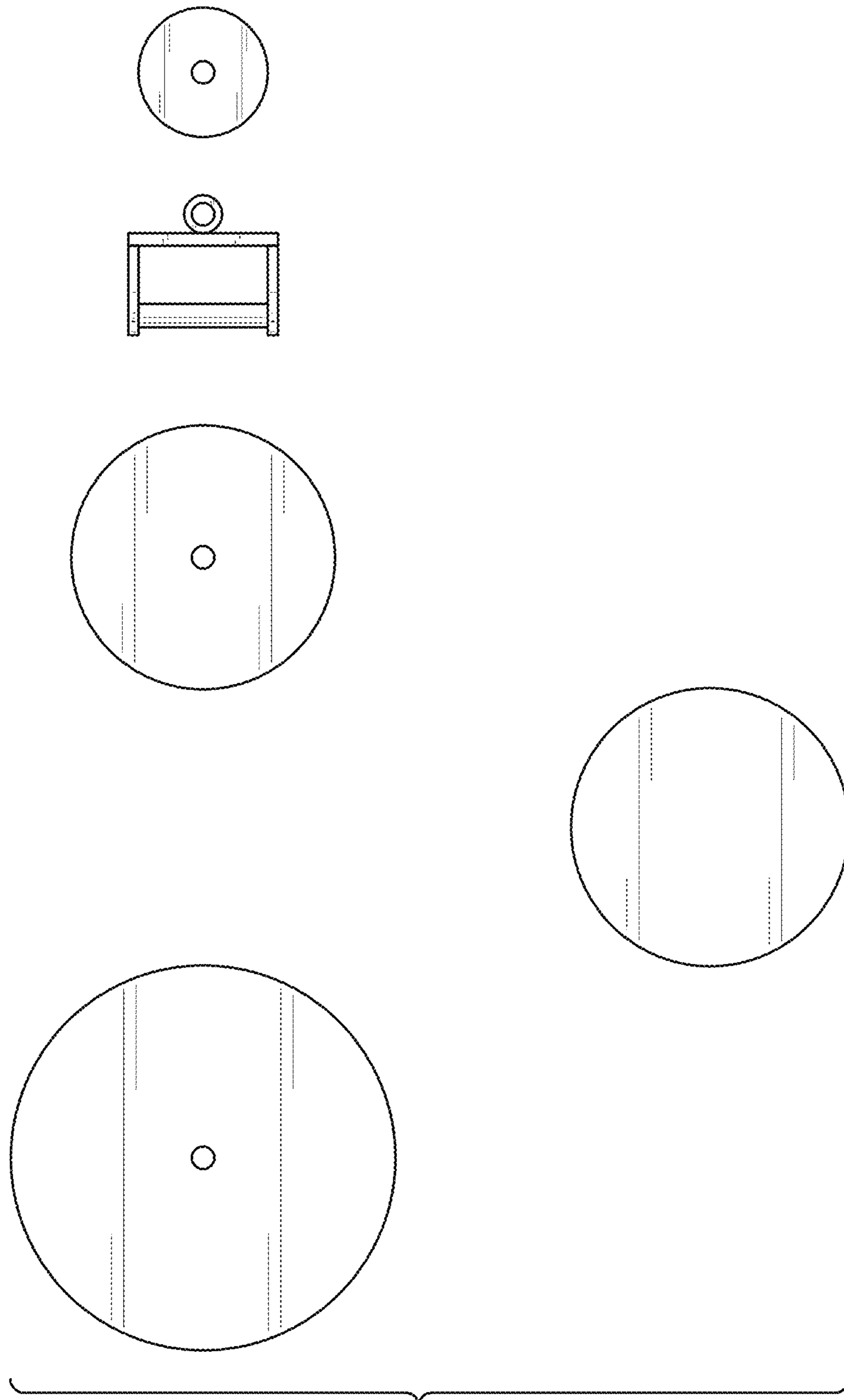


FIG. 5

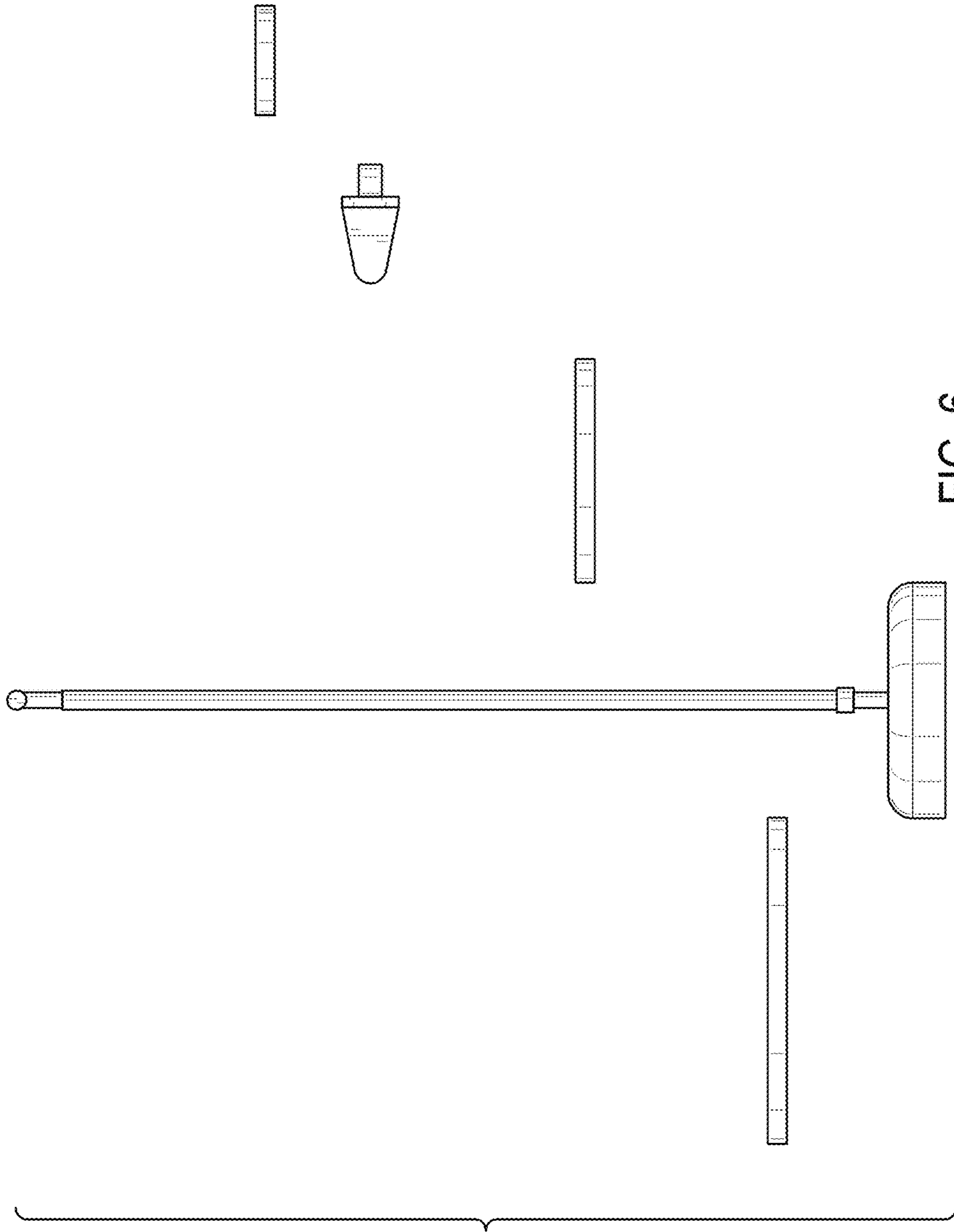


FIG. 6



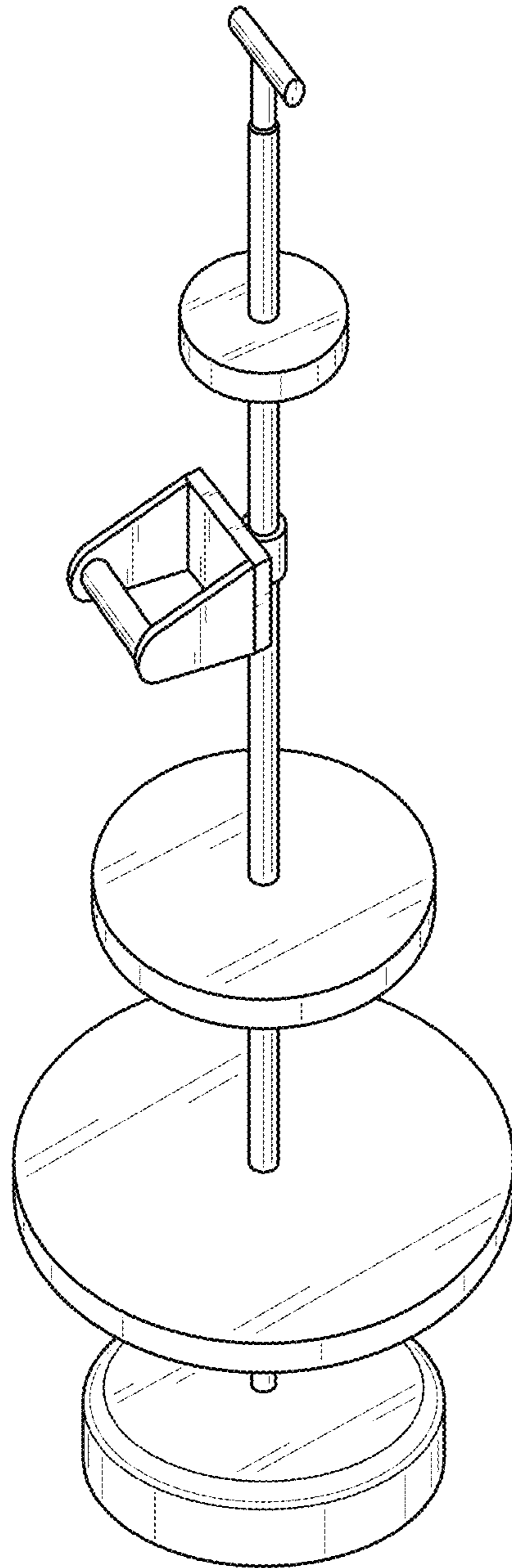


FIG. 7

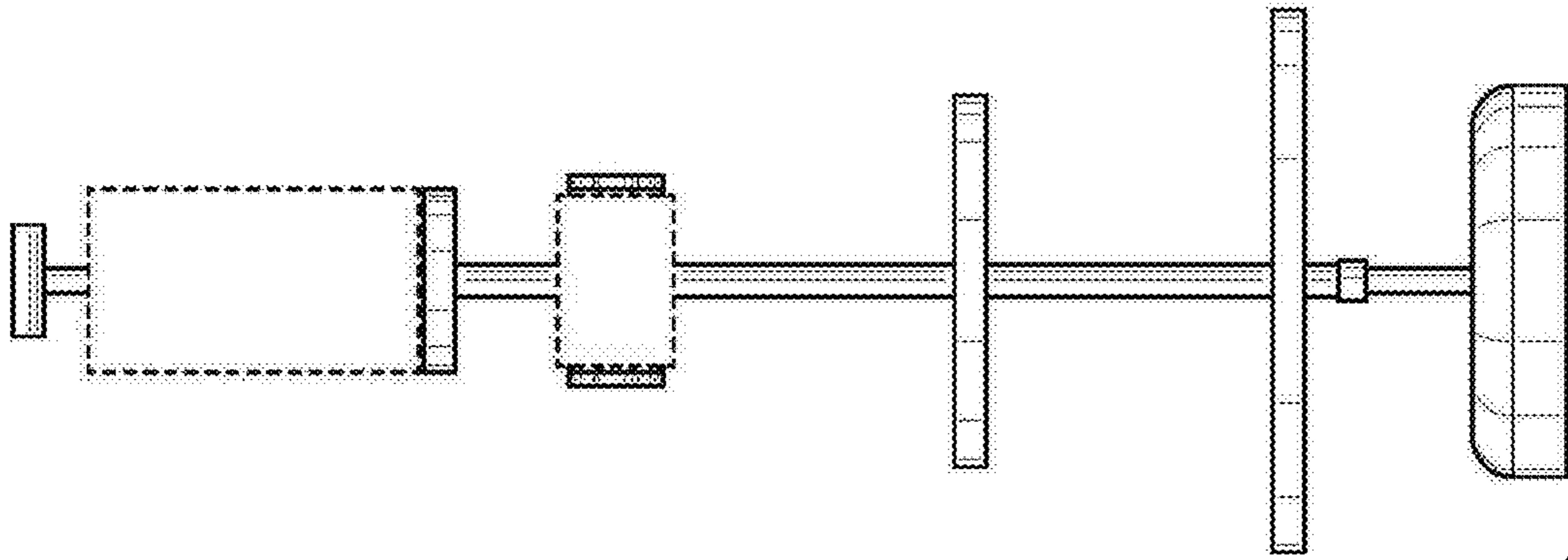


FIG. 9

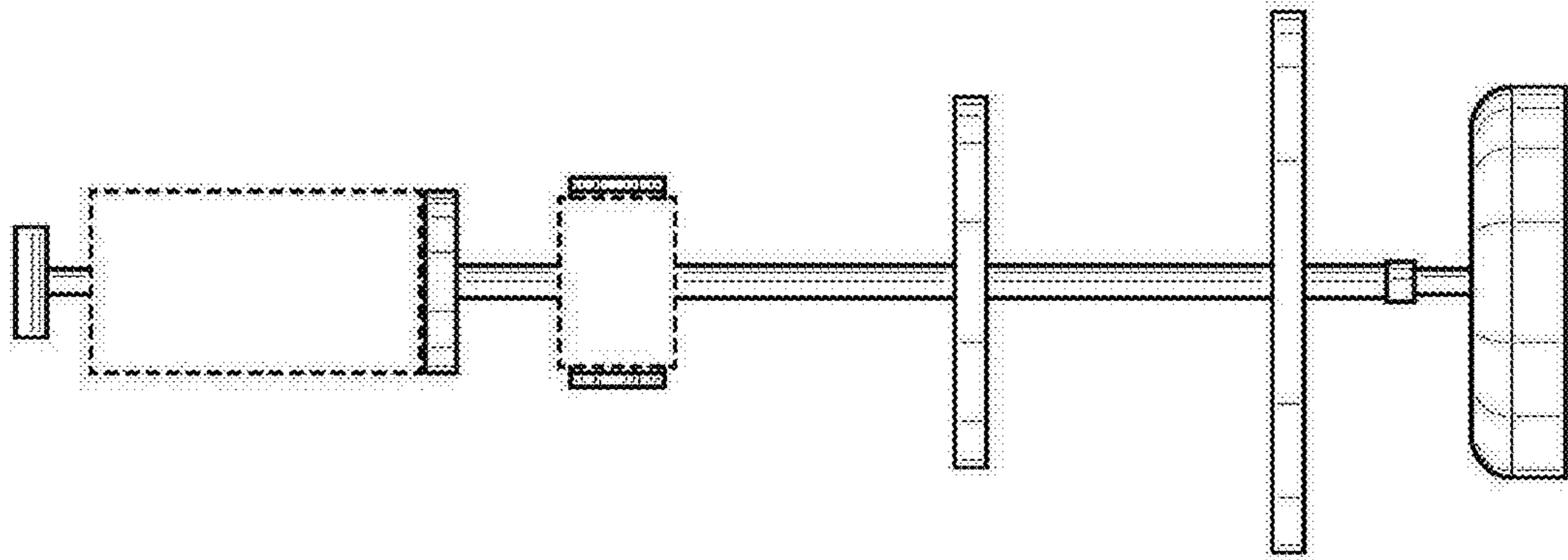
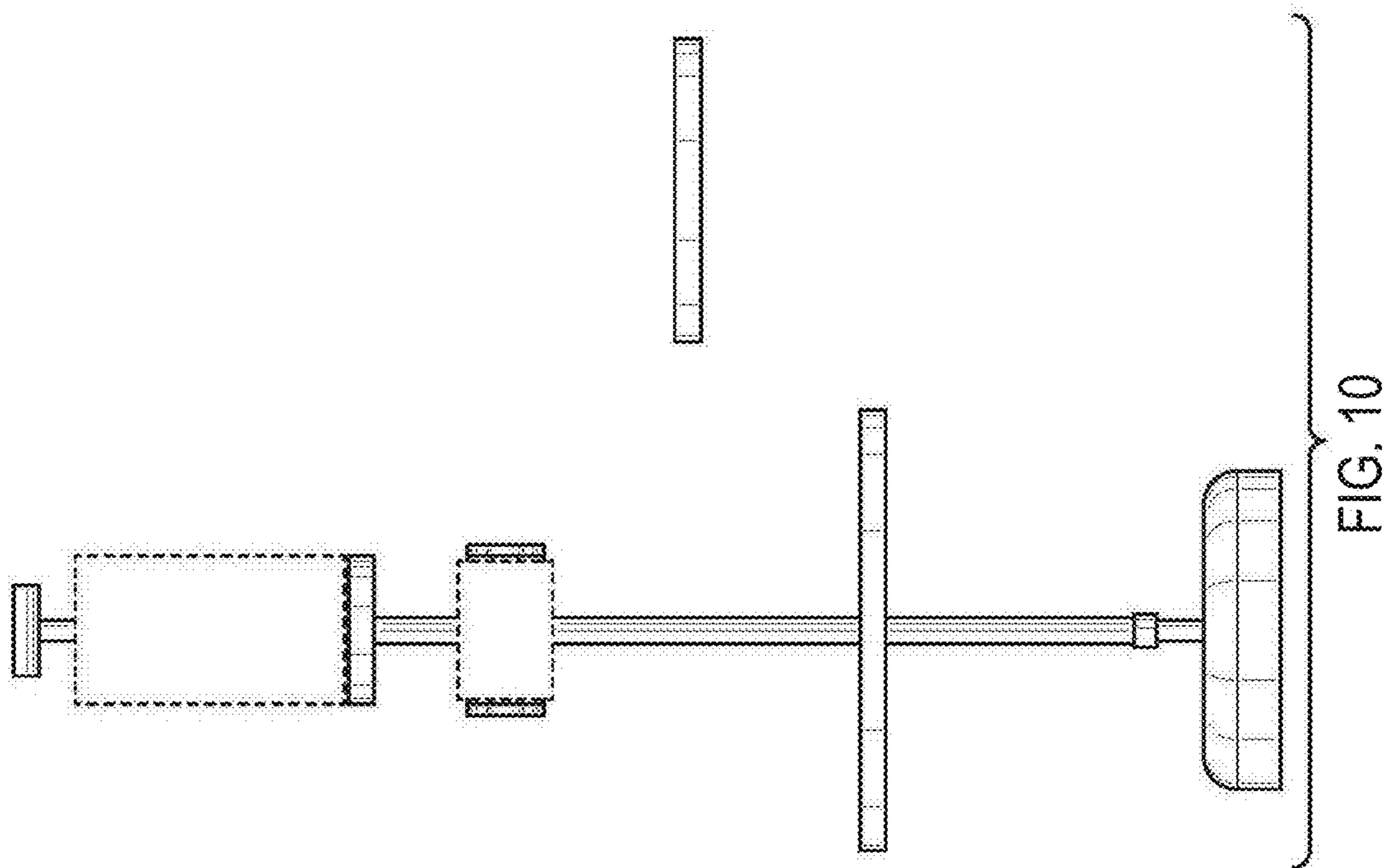
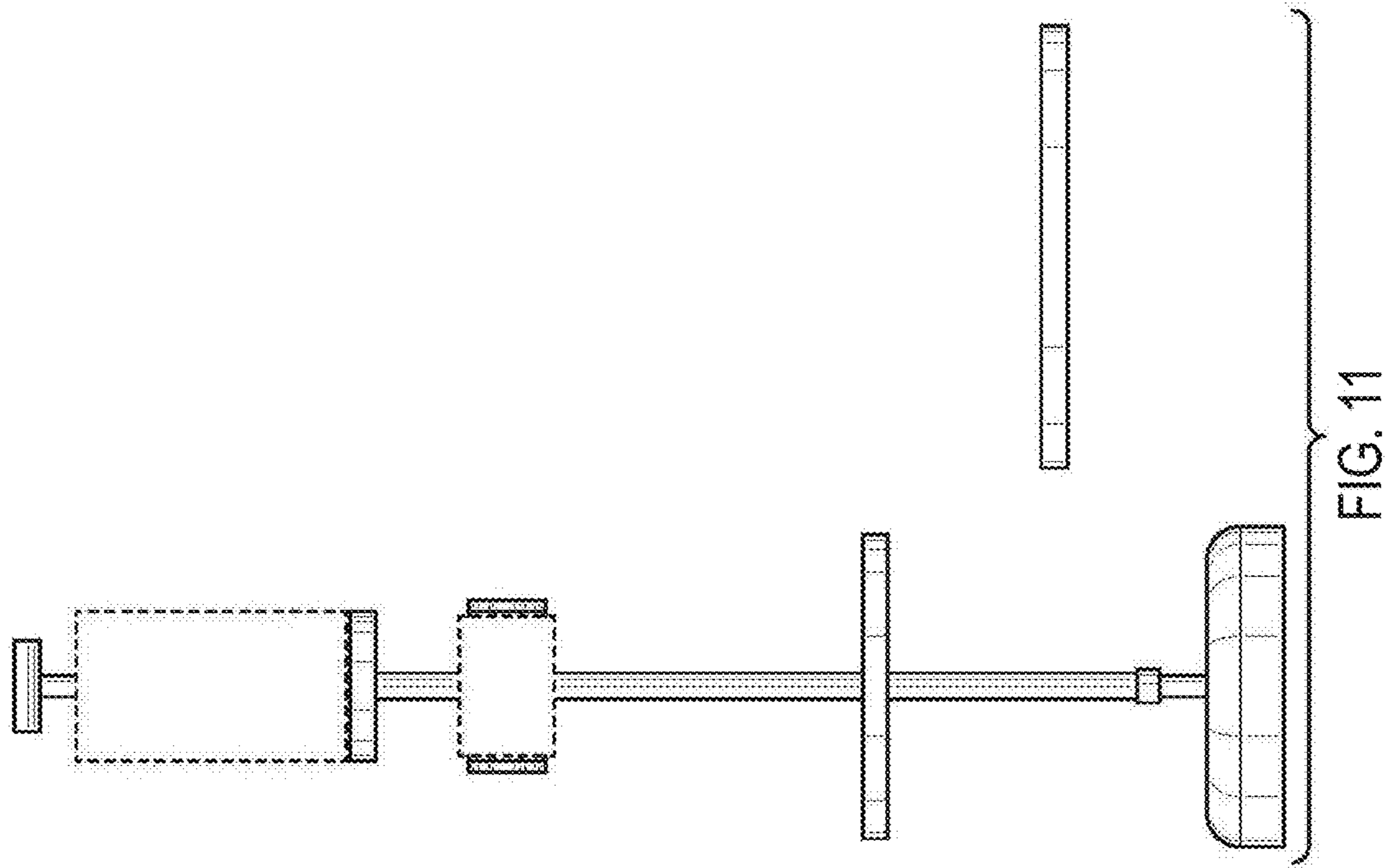
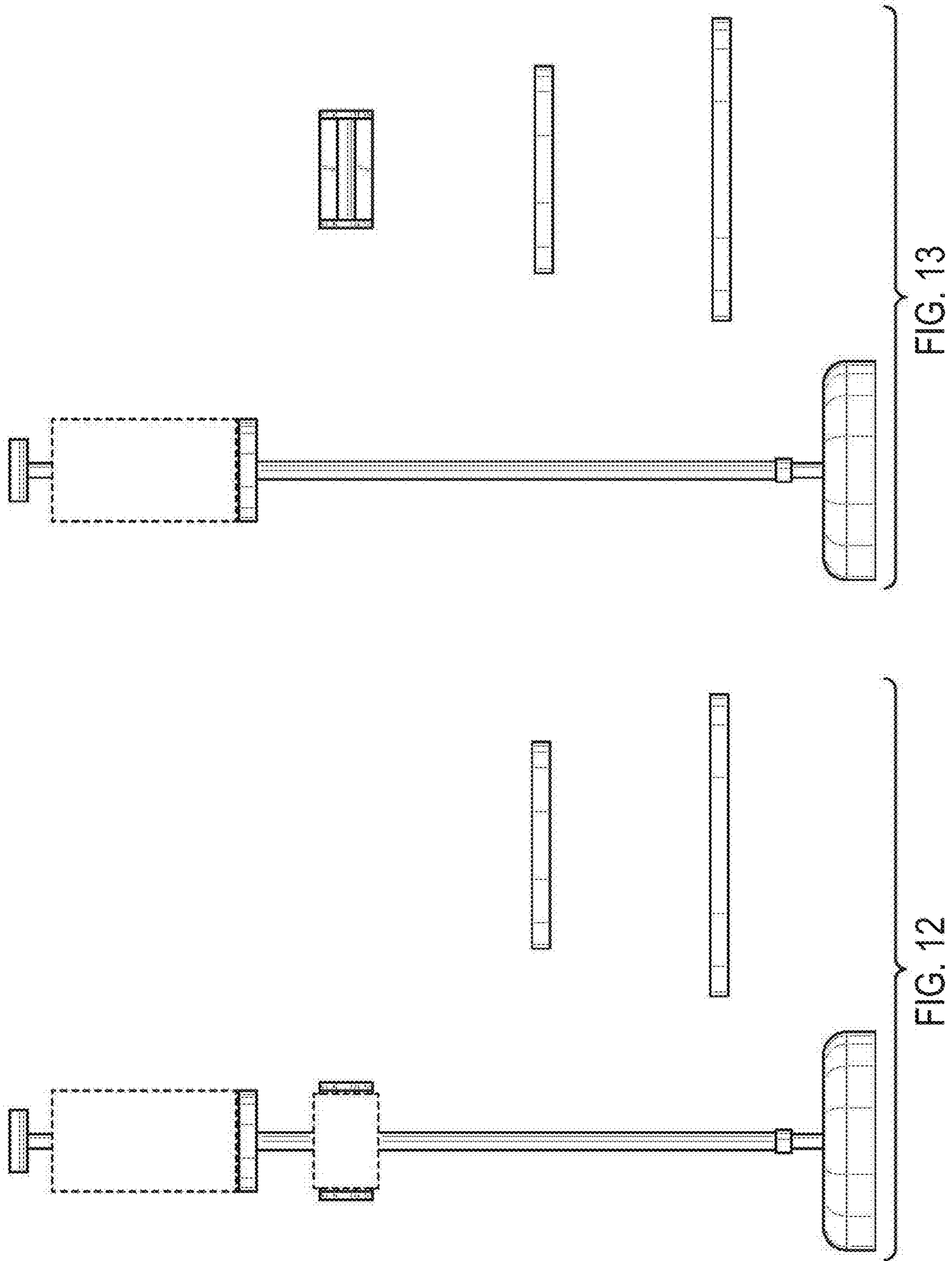


FIG. 8





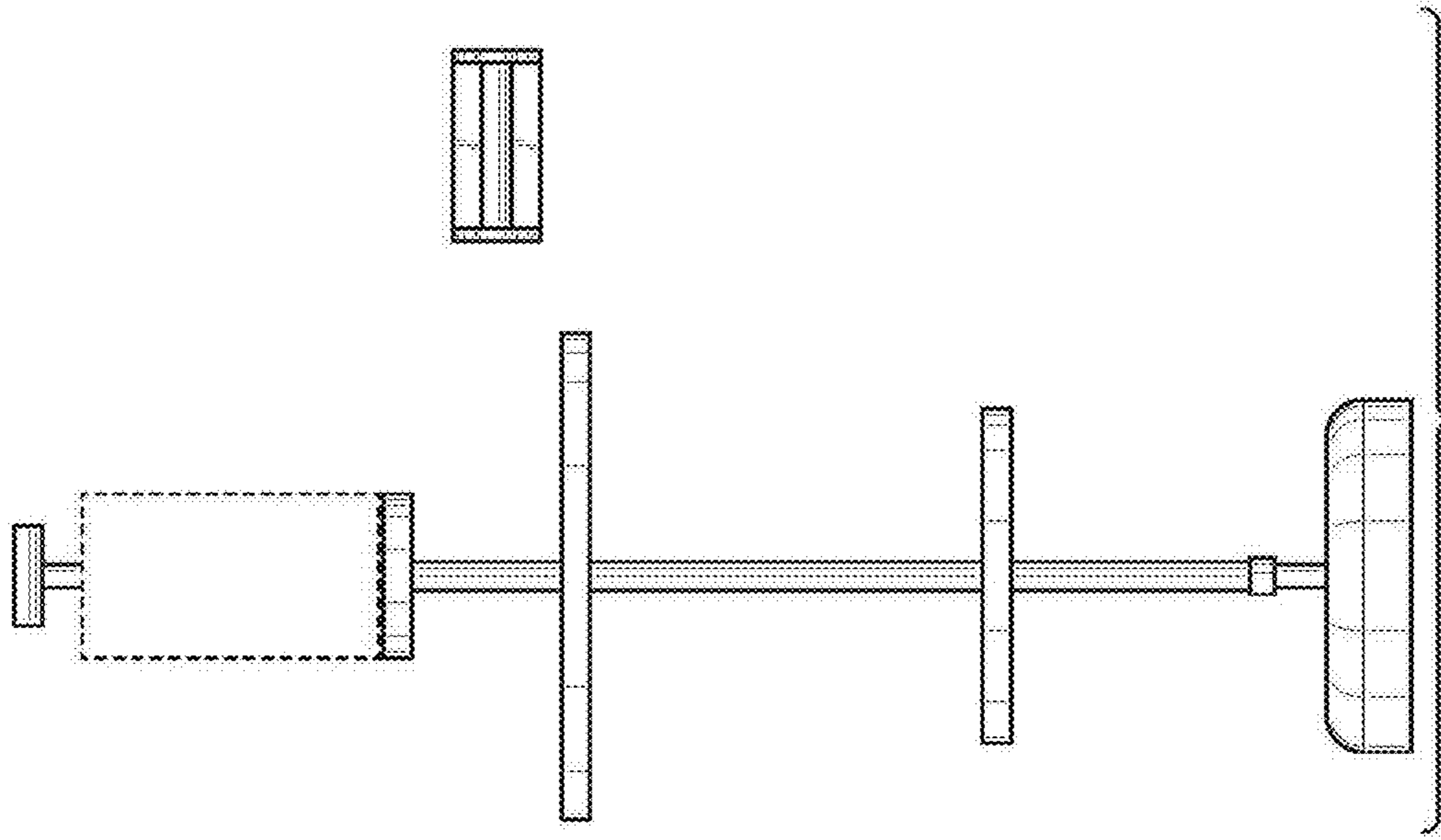


FIG. 15

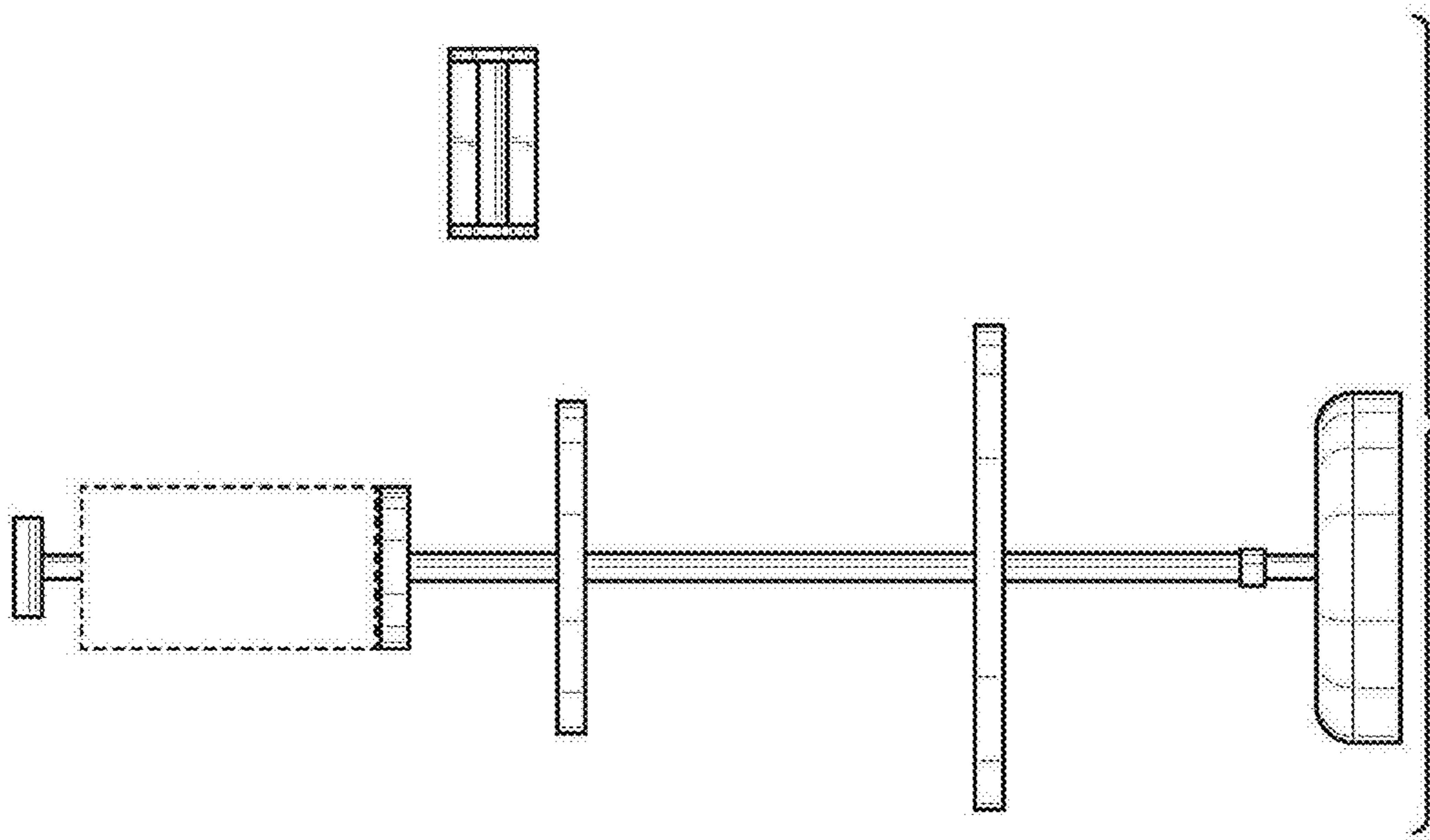


FIG. 14

