



US00D825959S

(12) **United States Design Patent** (10) **Patent No.:** **US D825,959 S**
Rockwell et al. (45) **Date of Patent:** **** Aug. 21, 2018**

(54) **SHELVING UNIT**
(71) Applicant: **Knoll, Inc.**, East Greenville, PA (US)
(72) Inventors: **David Rockwell**, New York, NY (US);
Barry Richards, New York, NY (US)
(73) Assignee: **Knoll, Inc.**, East Greenville, PA (US)
(**) Term: **15 Years**
(21) Appl. No.: **29/622,604**
(22) Filed: **Oct. 18, 2017**

D350,246 S 9/1994 Louise et al.
D363,623 S 10/1995 Rushing
D364,055 S * 11/1995 Pakla D6/675.1
D400,375 S * 11/1998 Peng-Hui D6/675.1
D410,127 S 5/1999 Colomban
D459,117 S 6/2002 Singh
D472,072 S 3/2003 de Carolis
D479,925 S * 9/2003 Hsieh D6/675.1
D491,384 S 6/2004 Lenger
6,814,245 B2 * 11/2004 Leclerc A47B 47/021
108/107
D543,056 S * 5/2007 Chou D6/675.1
D576,426 S * 9/2008 Yuen-Schat D6/675.4
D591,086 S 4/2009 Karsson
D591,533 S 5/2009 Karsson
8,528,919 B2 9/2013 Webster et al.
D701,405 S * 3/2014 Pace D6/675.2
D706,064 S 6/2014 Ota et al.

Related U.S. Application Data

(62) Division of application No. 29/564,323, filed on May 12, 2016, now Pat. No. Des. 805,329.
(51) **LOC (11) Cl.** **06-04**
(52) **U.S. Cl.**
USPC **D6/675.3**
(58) **Field of Classification Search**
USPC ... D6/310, 312, 675-675.4, 678-678.4, 682, D6/572; D19/113
CPC A47F 7/144; A47F 7/163
See application file for complete search history.

* cited by examiner

Primary Examiner — Garth Rademaker
Assistant Examiner — Melvin L Davis
(74) *Attorney, Agent, or Firm* — Buchanan Ingersoll & Rooney PC

(57) **CLAIM**

The ornamental design for a shelving unit, as shown and described.

(56) **References Cited**

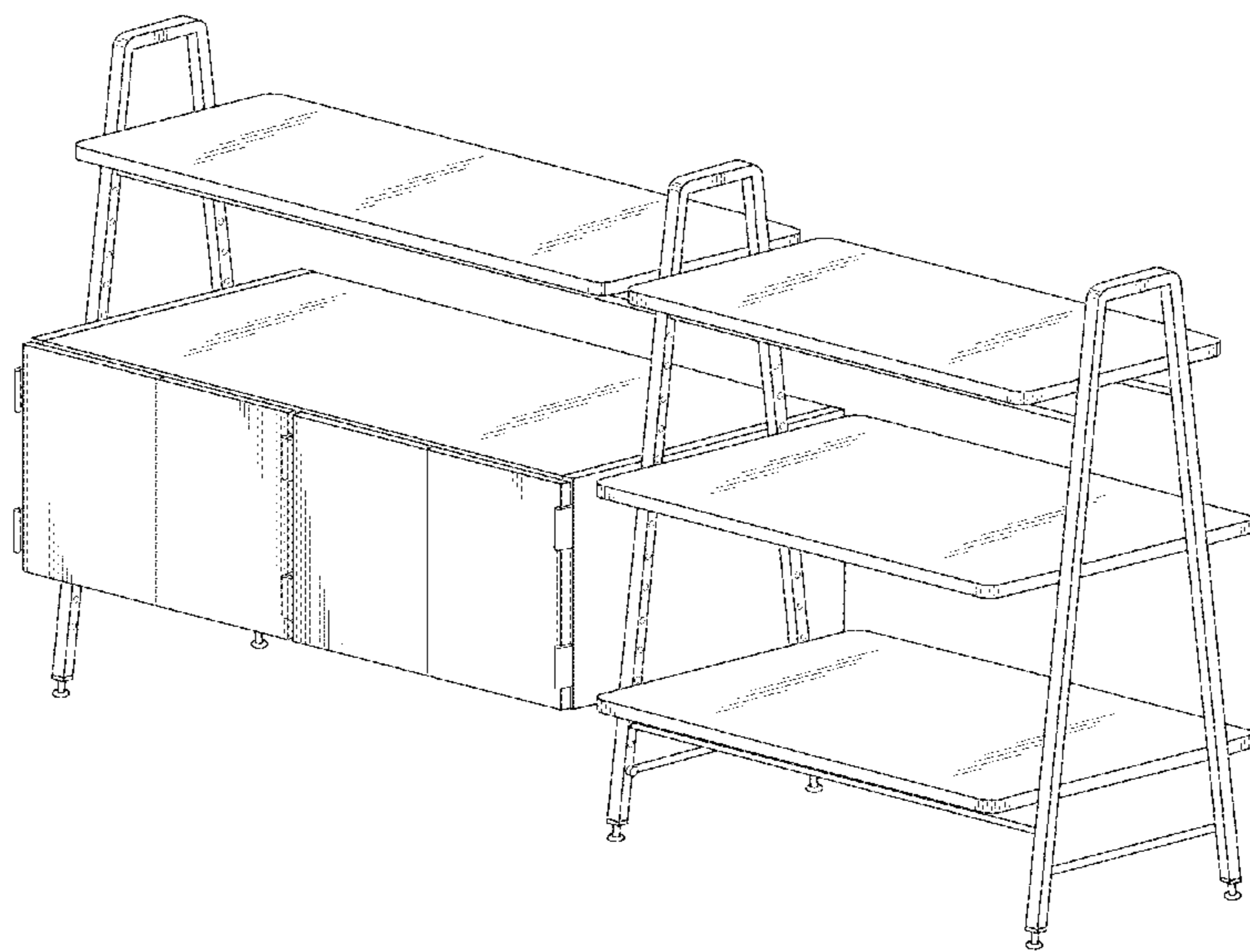
U.S. PATENT DOCUMENTS

D42,180 S * 2/1912 Yerbera 211/126.1
2,798,617 A 7/1957 Schreiber
D191,249 S 8/1961 Gardner et al.
3,297,374 A * 1/1967 Radek A47F 5/103
108/108
D217,159 S 4/1970 Levy
4,035,941 A 7/1977 Deffner
D299,797 S 2/1989 Walter
D303,879 S * 10/1989 Williams D6/673
D334,495 S 4/1993 Bustos

DESCRIPTION

FIG. 1 is a perspective view of a shelving unit showing our new design;
FIG. 2 is a front elevational view thereof;
FIG. 3 is a rear elevational view thereof;
FIG. 4 is a left side elevational view thereof;
FIG. 5 is a right side elevational view thereof;
FIG. 6 is a top plan view thereof; and,
FIG. 7 is a bottom plan view thereof.

1 Claim, 6 Drawing Sheets



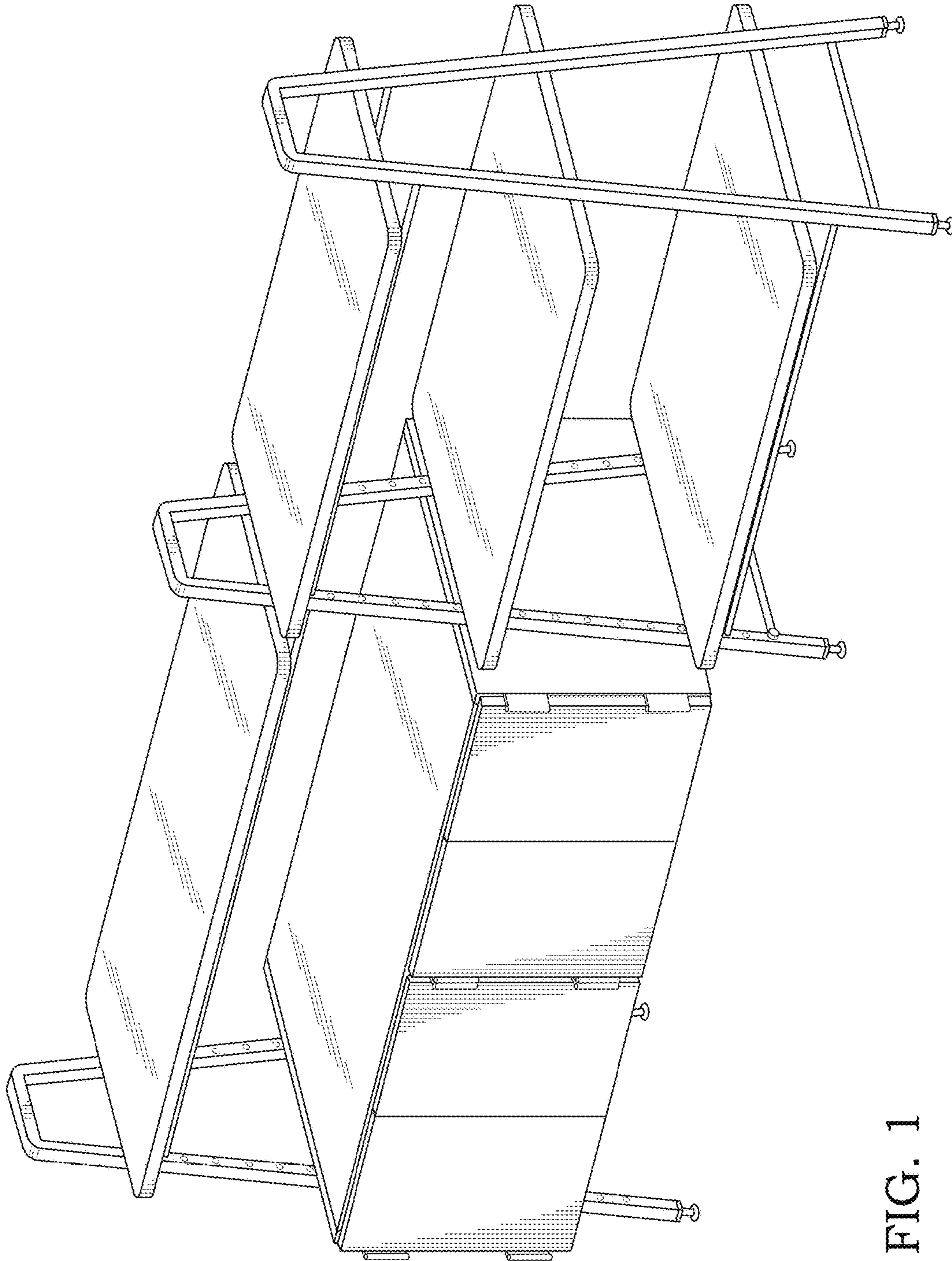


FIG. 1

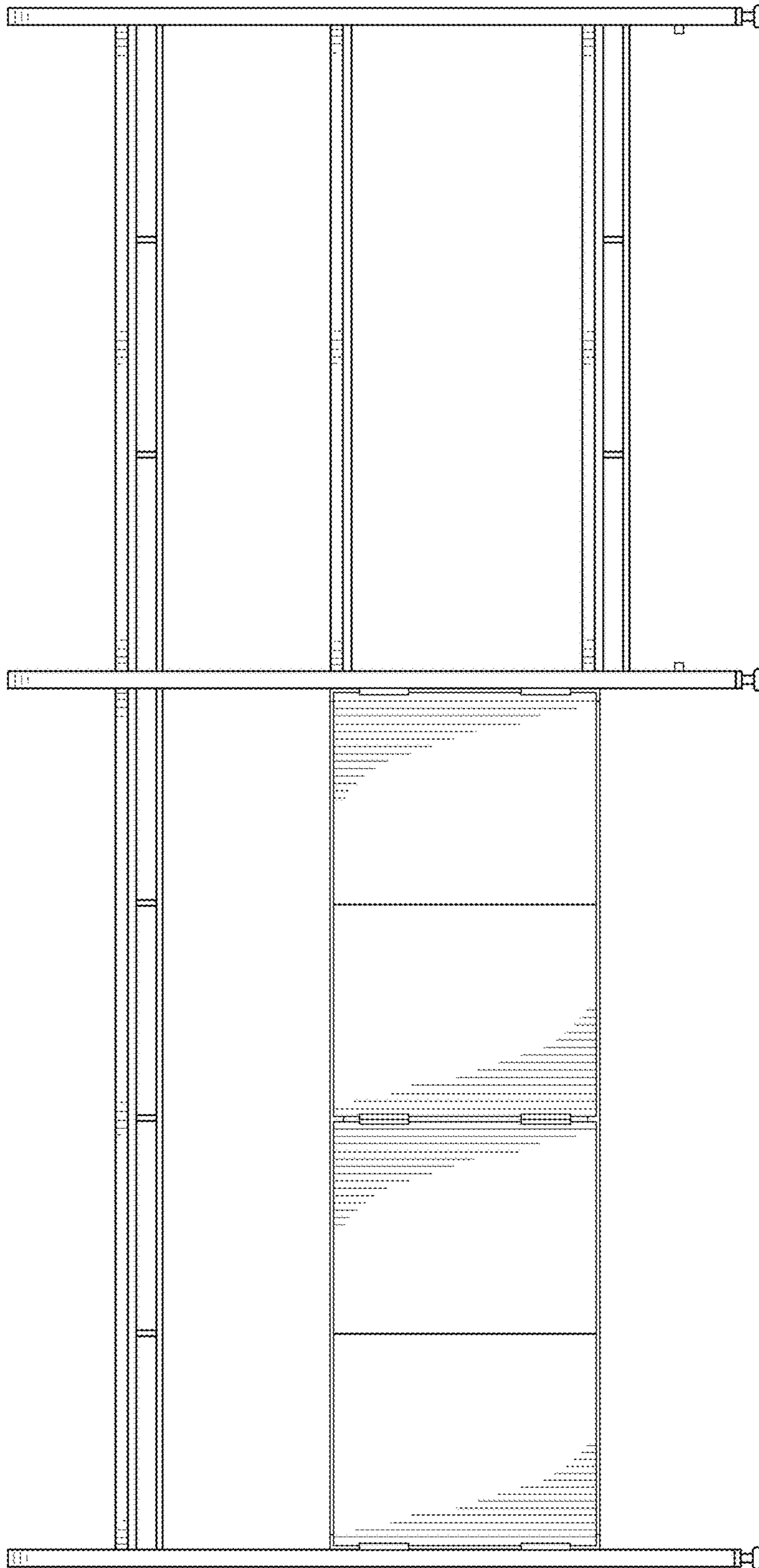


FIG. 2

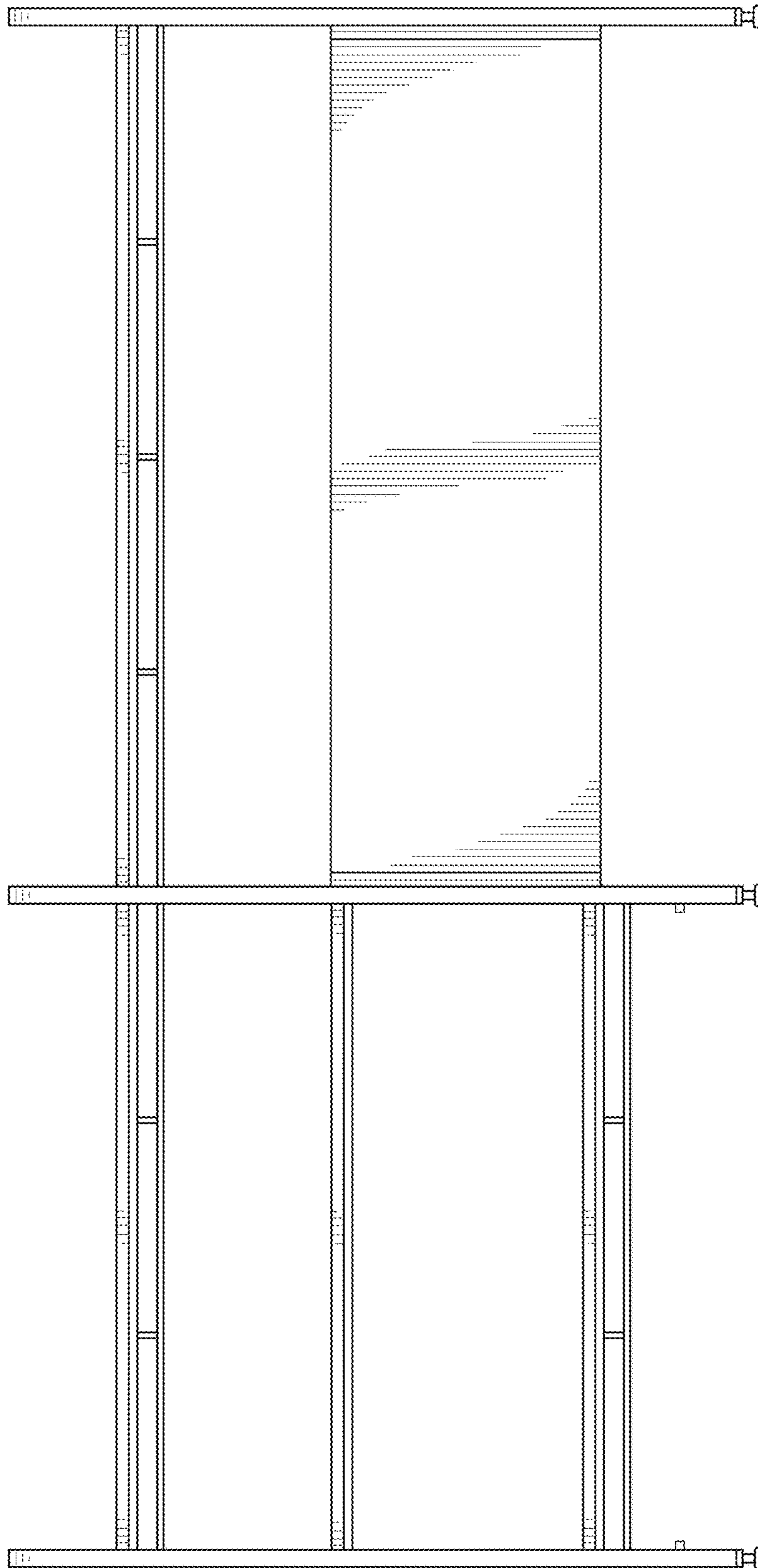


FIG. 3

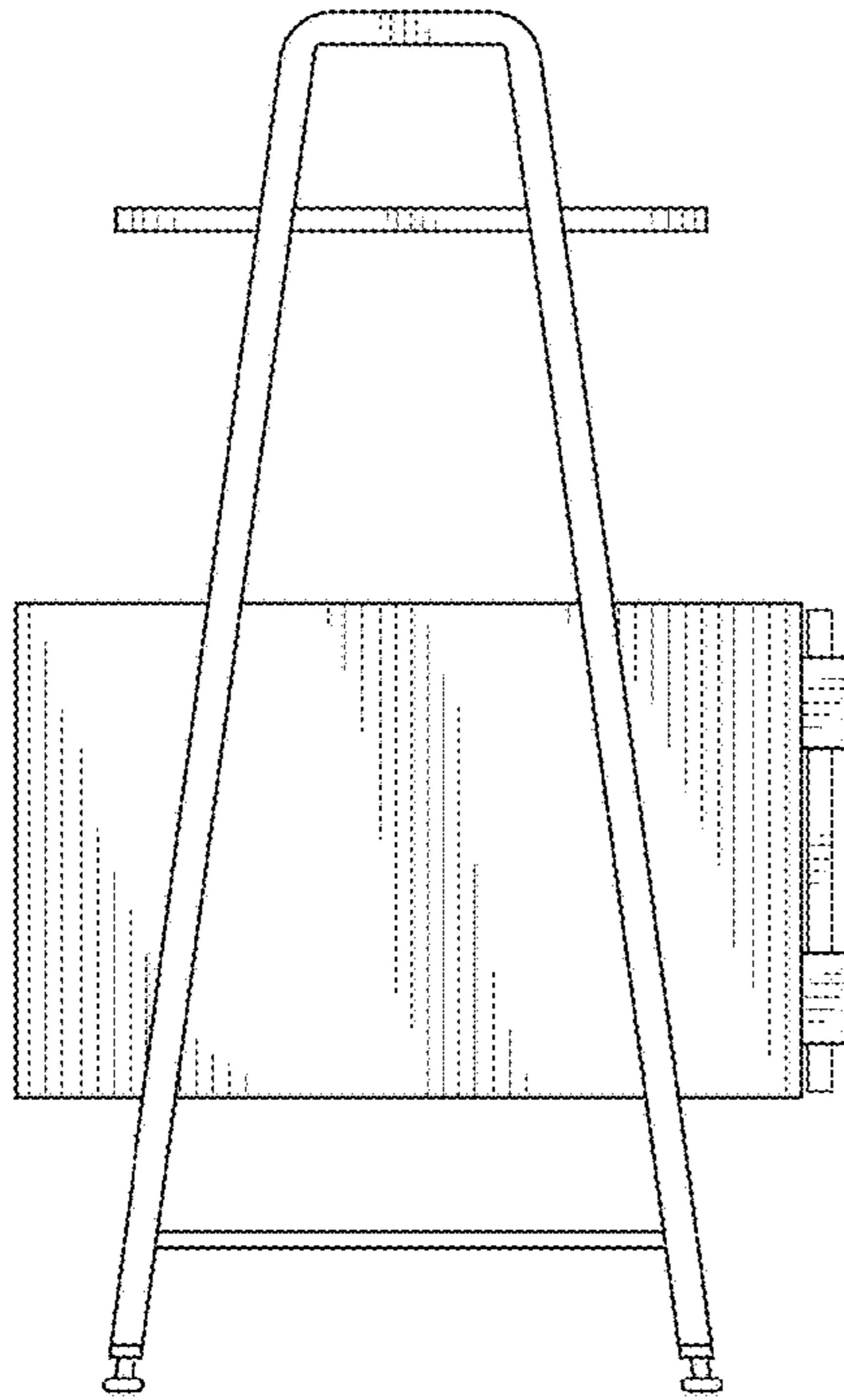


FIG. 4

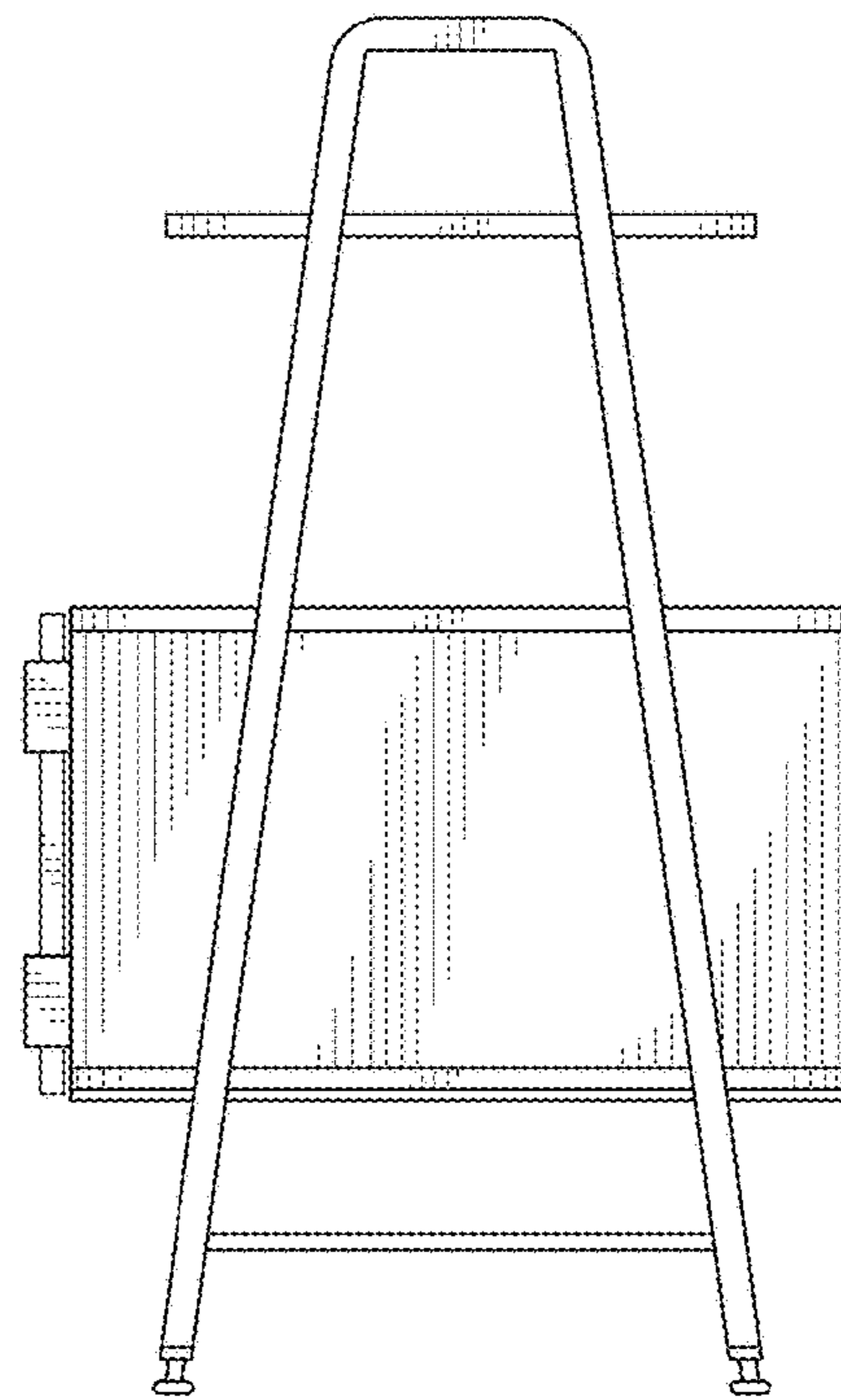


FIG. 5

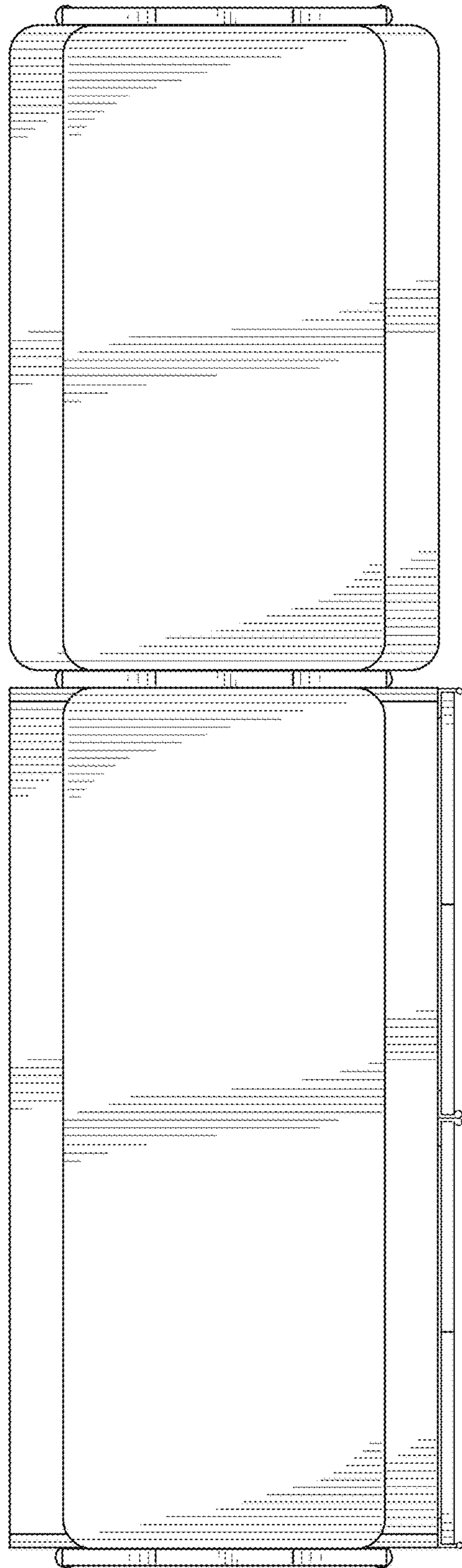


FIG. 6

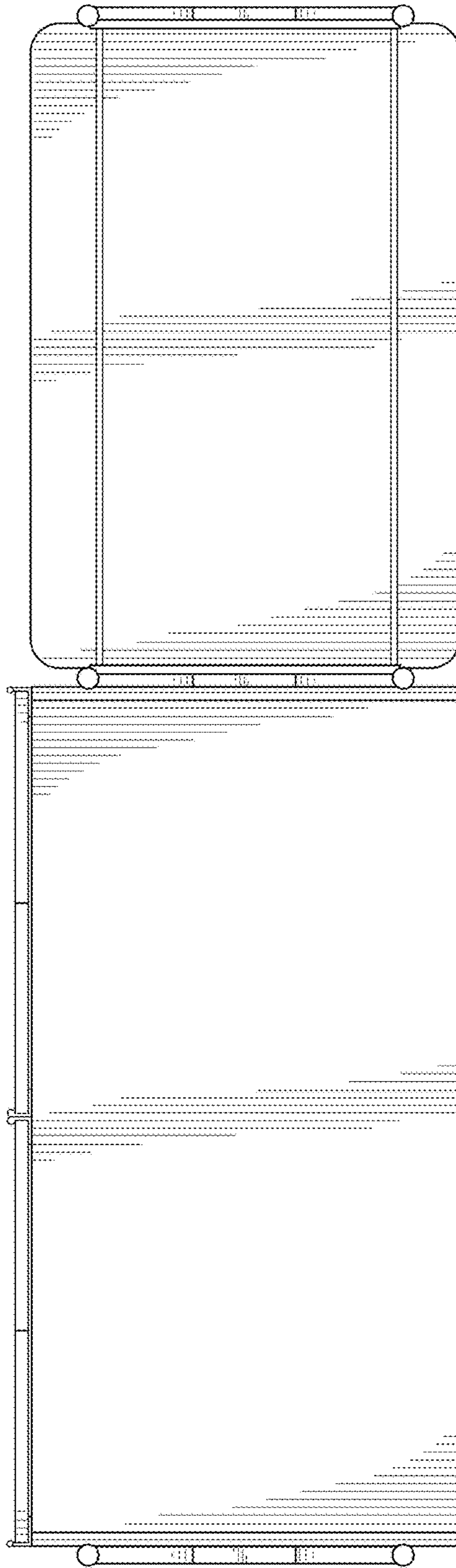


FIG. 7