



US00D825954S

(12) **United States Design Patent**
Diamond

(10) **Patent No.:** **US D825,954 S**

(45) **Date of Patent:** **** Aug. 21, 2018**

(54) **ROLLER BLIND TUBE**

FOREIGN PATENT DOCUMENTS

(71) Applicant: **Fourds Limited**, Magherafelt, County Londonderry (GB)

DE 202007001597 4/2007
EM 002206730 3/2013

(Continued)

(72) Inventor: **Cormac Diamond**, Draperstown (GB)

Primary Examiner — Eric L Goodman

Assistant Examiner — Clare A Gannon

(73) Assignee: **Fourds Limited**, Magherafelt, County Londonderry (GB)

(74) *Attorney, Agent, or Firm* — Gardner, Linn, Burkhardt & Ondersma LLP

(**) Term: **15 Years**

(57) **CLAIM**

The ornamental design for a roller blind tube, as shown and described.

(21) Appl. No.: **29/581,337**

(22) Filed: **Oct. 18, 2016**

DESCRIPTION

(51) **LOC (11) Cl.** **06-10**

(52) **U.S. Cl.**

USPC **D6/580**

(58) **Field of Classification Search**

USPC D6/575-581; D8/354, 377; D25/55, D25/119, 121, 122, 123

CPC ... A47H 1/04; A47H 1/06; A47H 1/10; A47H 1/13; A47H 1/14; A47H 11/02; A47H 23/00; A47H 23/01; A47H 5/02; B60J 1/2013; E06B 2009/2622; E06B 2009/2627; E06B 2009/425; E06B 2009/583; E06B 9/26; E06B 9/262; E06B 9/30; E06B 9/306; E06B 9/32; E06B 9/323; E06B 9/324; E06B 9/326; E06B 9/367; E06B 9/386; E06B 9/388; E06B 9/40; E06B 9/42; E06B

(Continued)

FIG. 1 is a perspective view of a roller blind tube showing my new design;
FIG. 2 is an end elevation thereof;
FIG. 3 is a front elevation thereof;
FIG. 4 is a rear elevation thereof;
FIG. 5 is a top plan view thereof;
FIG. 6 is a bottom plan view thereof;
FIG. 7 is another front perspective view of the roller blind tube of FIG. 1, with a blind panel shown as environmental structure;
FIG. 8 is a perspective view of another roller blind tube showing my new design;
FIG. 9 is an end elevation view thereof;
FIG. 10 is a front elevation thereof;
FIG. 11 is a rear elevation thereof;
FIG. 12 is a top plan view thereof;
FIG. 13 is a bottom plan view thereof; and,
FIG. 14 is another front perspective view of the roller blind tube of FIG. 8, with a blind panel shown as environmental structure.

In the drawings, the broken lines depict portions of the roller blind tube and environmental structure that form no part of the claimed design. In the drawings, portions of the roller blind tube between the break lines and designated by brackets form no part of the claimed design.

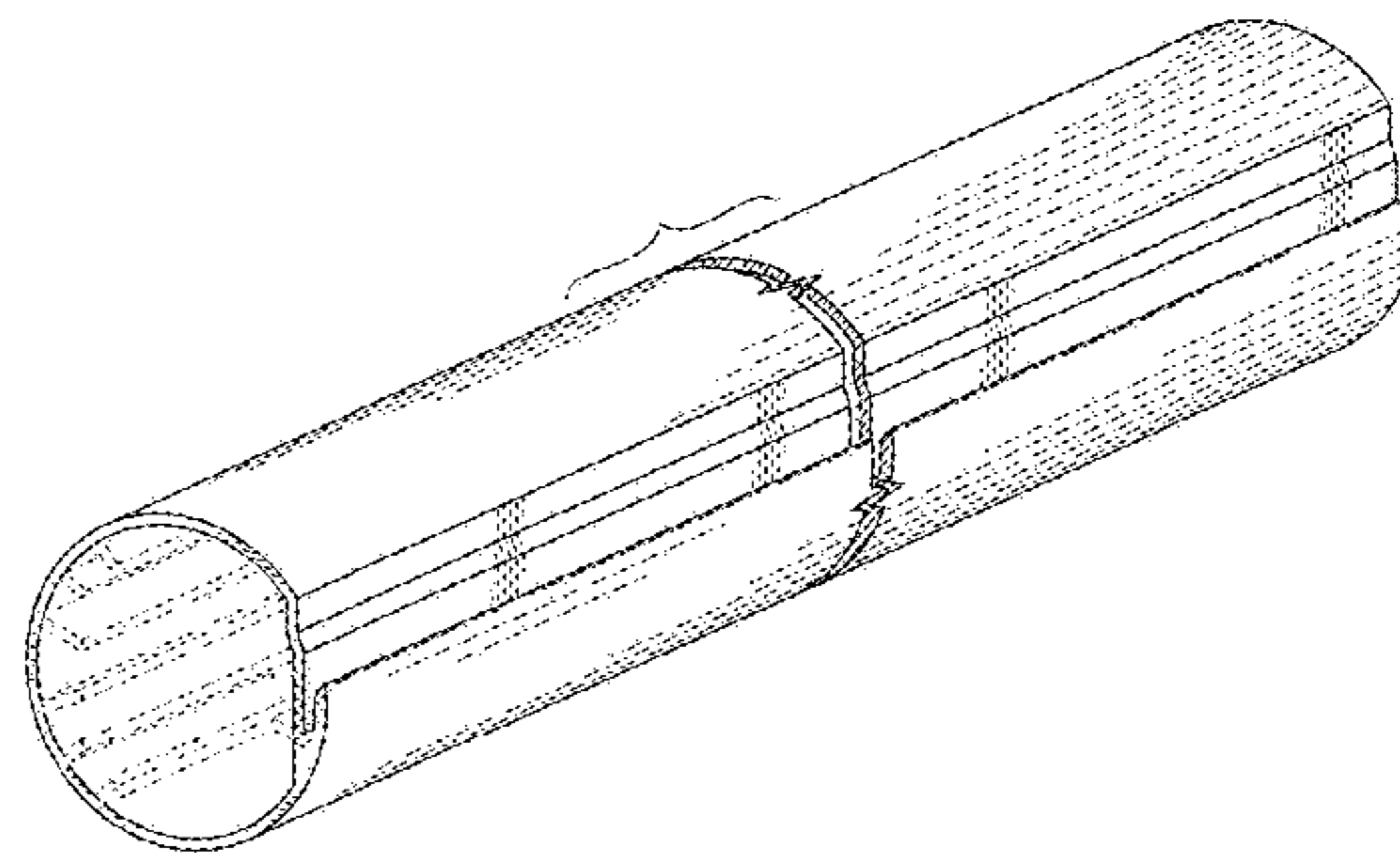
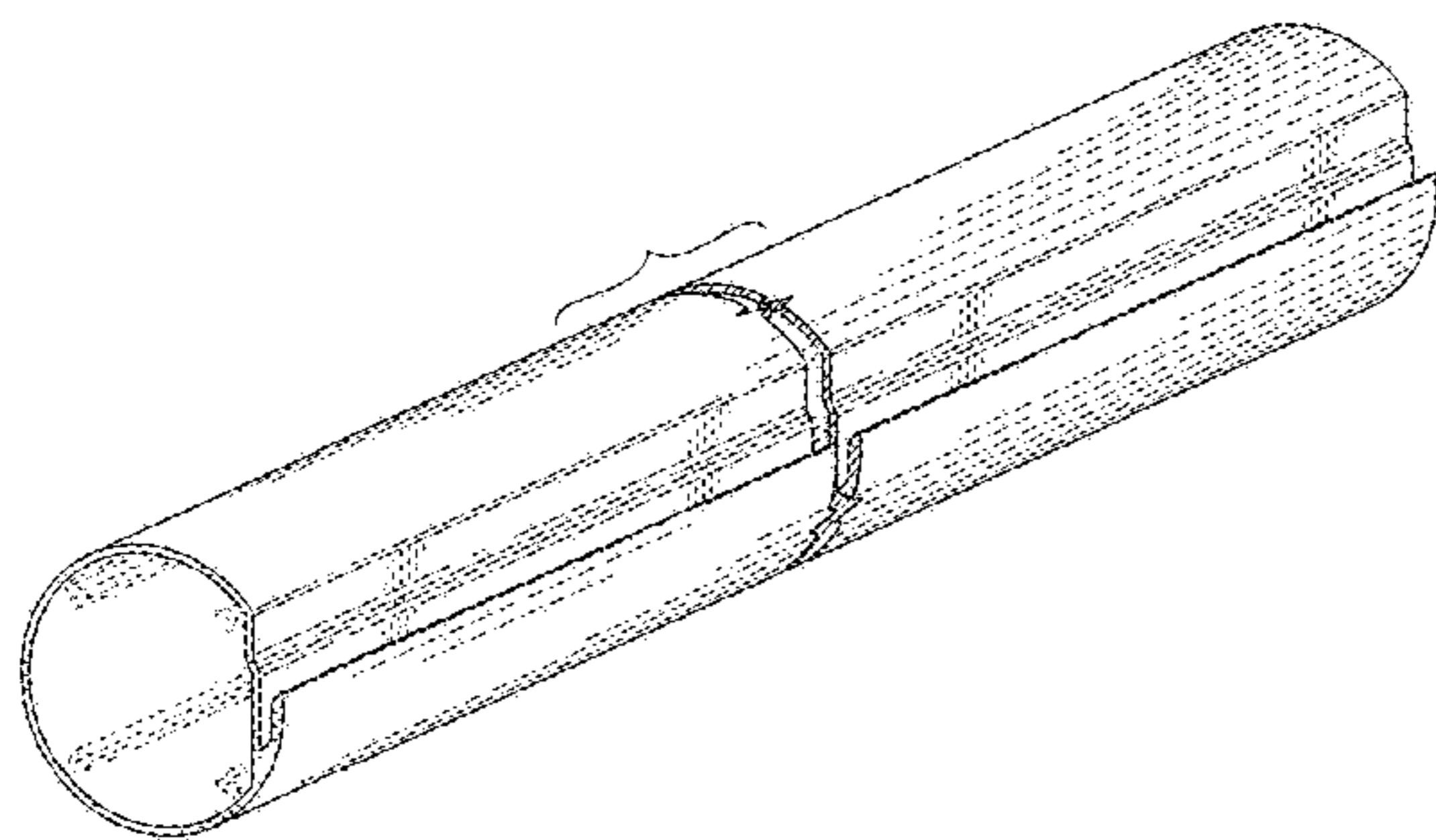
(56) **References Cited**

U.S. PATENT DOCUMENTS

556,839 A * 3/1896 Brangs E04B 1/3211 16/193
928,060 A * 7/1909 Marion A47H 23/01 160/393

(Continued)

1 Claim, 6 Drawing Sheets



US D825,954 S

Page 2

(58) **Field of Classification Search**

CPC 9/44; E06B 9/46; E06B 9/48; E06B 9/56;
E06B 9/78

See application file for complete search history.

(56) **References Cited**

U.S. PATENT DOCUMENTS

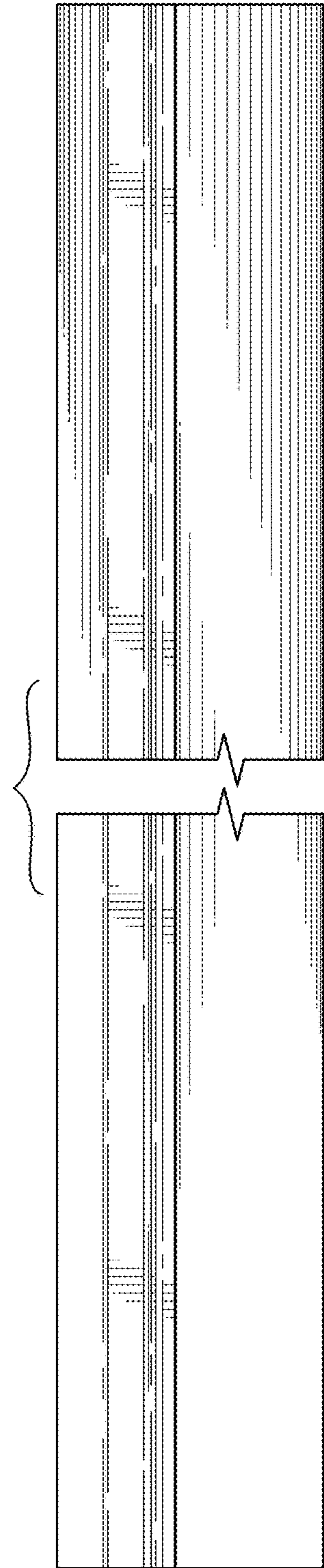
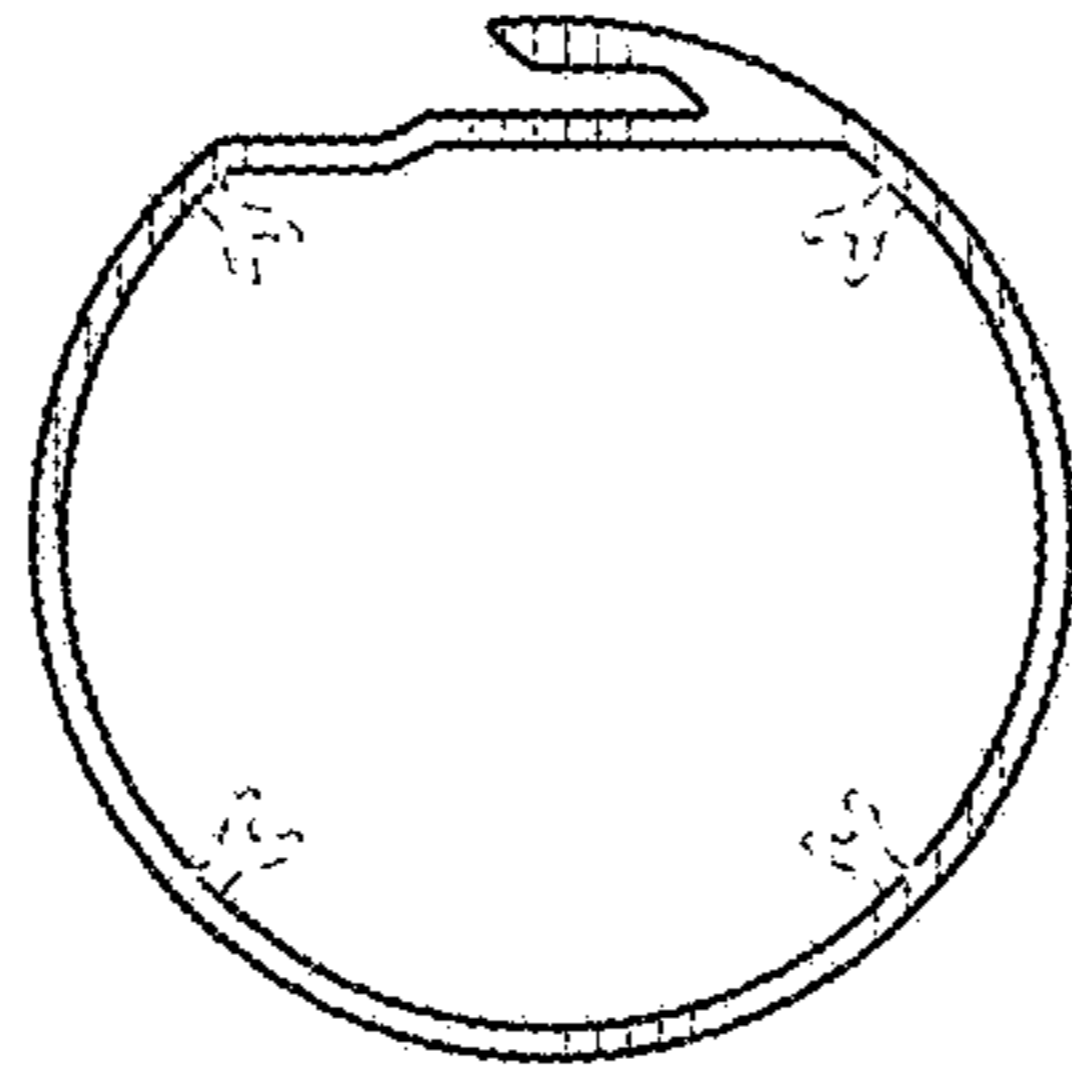
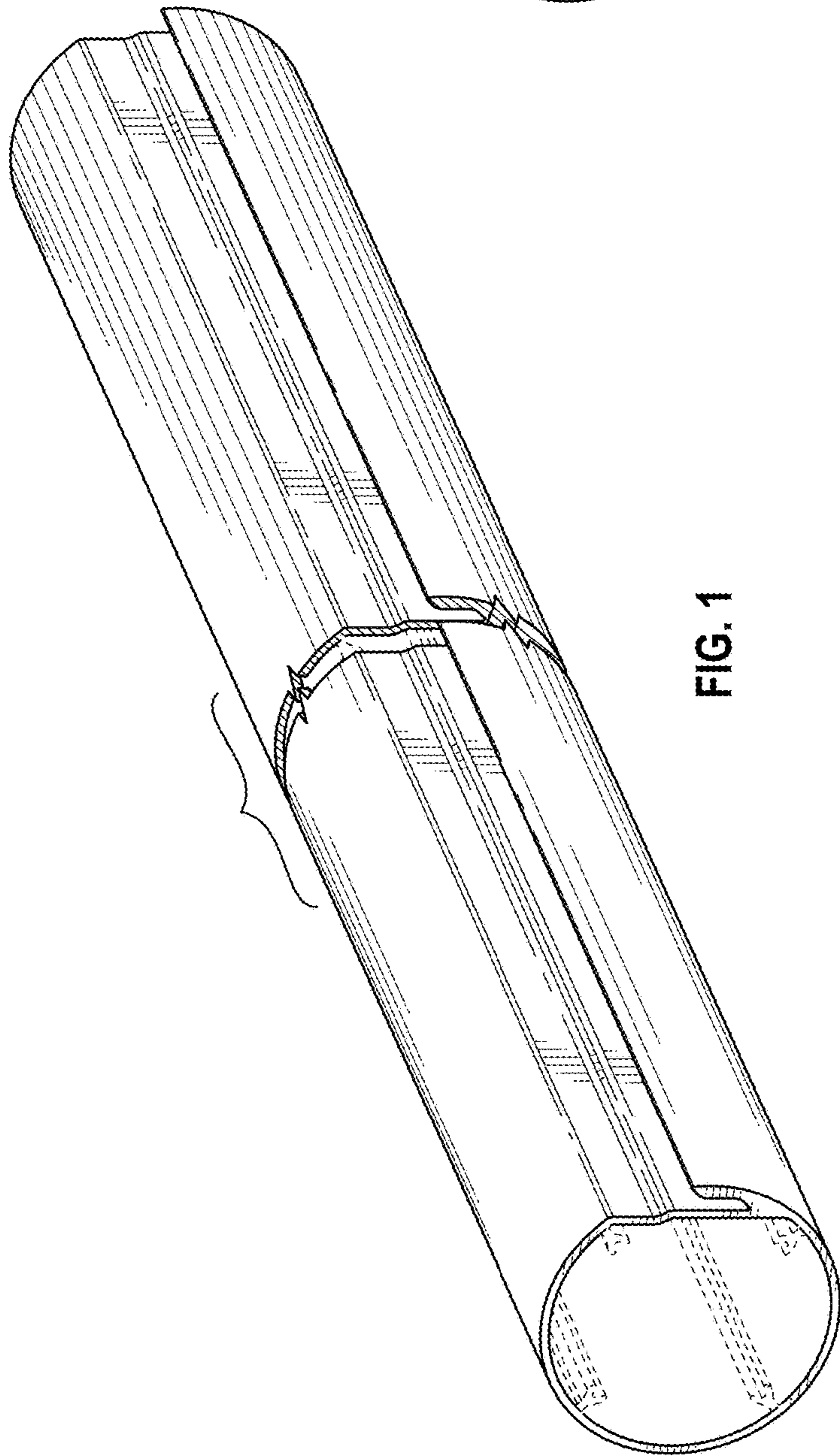
1,553,862 A * 9/1925 Kirsch E06B 9/48
160/398
1,749,595 A 3/1930 Mark
2,336,189 A * 12/1943 Price E06B 9/48
160/397
3,186,474 A 6/1965 Levitas
D257,503 S * 11/1980 McKee D25/122
D337,257 S * 7/1993 Danieli D25/122
5,259,520 A * 11/1993 Roggio A47H 1/04
16/94 D
5,450,890 A 9/1995 Pinkalla et al.
6,237,667 B1 * 5/2001 Fraczek E06B 9/46
160/121.1
D473,663 S * 4/2003 Chou D25/122
6,876,493 B1 4/2005 Lin
7,458,175 B2 12/2008 Meyer et al.
7,510,111 B2 3/2009 Mikkelsen et al.
8,559,104 B2 10/2013 Hendricks
9,683,407 B2 * 6/2017 Diamond E06B 9/44
9,689,202 B2 * 6/2017 Lin E06B 9/60
9,702,187 B2 * 7/2017 Holt E06B 9/44
2004/0065416 A1 * 4/2004 Auger E06B 9/26
160/84.05

2005/0051282 A1 * 3/2005 Bohlen E06B 9/24
160/238
2006/0191646 A1 * 8/2006 Harper E06B 9/264
160/84.05
2008/0110582 A1 * 5/2008 Rasmussen E06B 9/44
160/263
2008/0148526 A1 * 6/2008 Garcia A47H 1/02
16/87 R
2011/0126959 A1 * 6/2011 Holt E06B 9/34
156/65
2011/0180219 A1 7/2011 Pereira et al.
2011/0225774 A1 * 9/2011 Seddon A47H 1/02
16/94 D
2013/0153161 A1 * 6/2013 Haarer E06B 9/42
160/293.1
2013/0306255 A1 * 11/2013 Ng E06B 9/44
160/368.1
2014/0262069 A1 * 9/2014 Drew E06B 9/44
160/120
2015/0184455 A1 * 7/2015 Perkowitz E06B 9/262
160/319
2015/0252614 A1 9/2015 Diamond
2016/0237743 A1 * 8/2016 Holt E06B 9/262
2016/0319596 A1 * 11/2016 Li E06B 9/42
2017/0208981 A1 * 7/2017 Nir A47H 13/00

FOREIGN PATENT DOCUMENTS

FR 2872850 1/2006
JP H08121050 5/1996
JP H10292756 11/1998

* cited by examiner



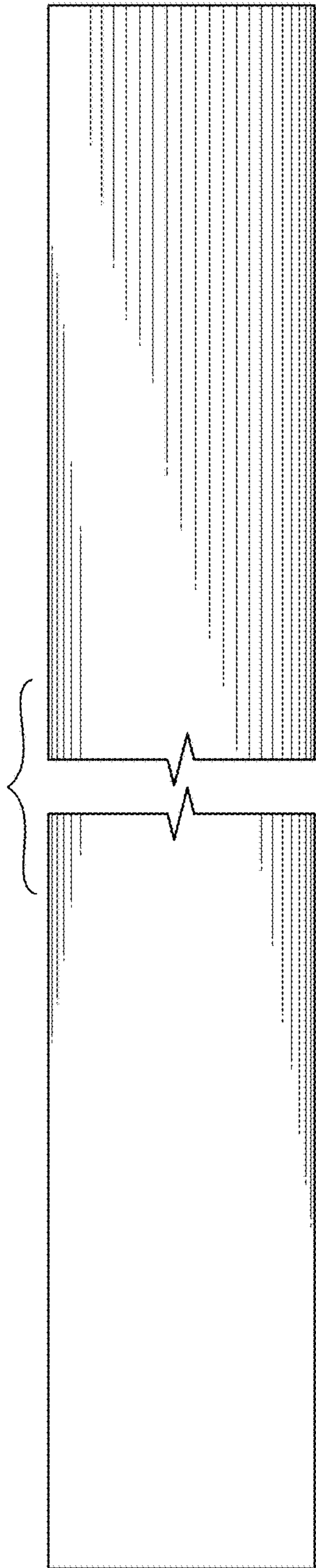


FIG. 4

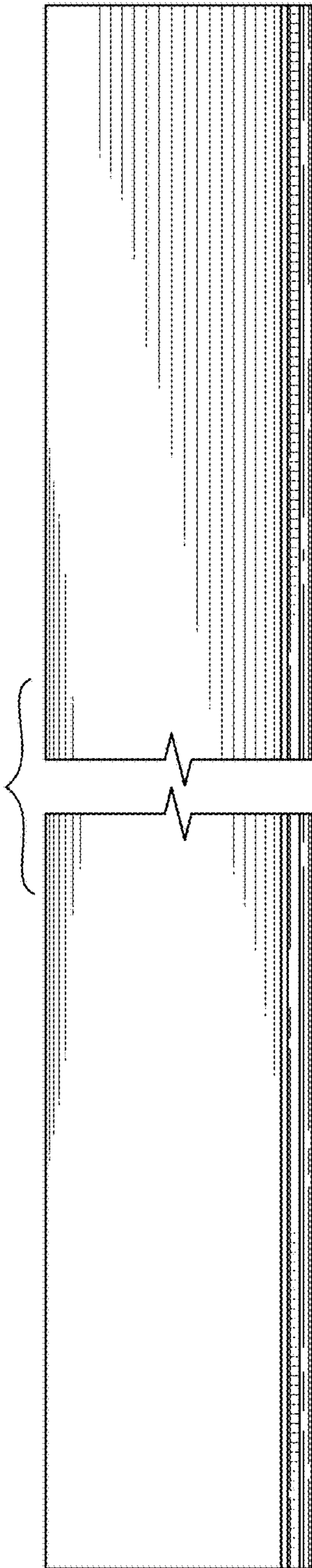


FIG. 5

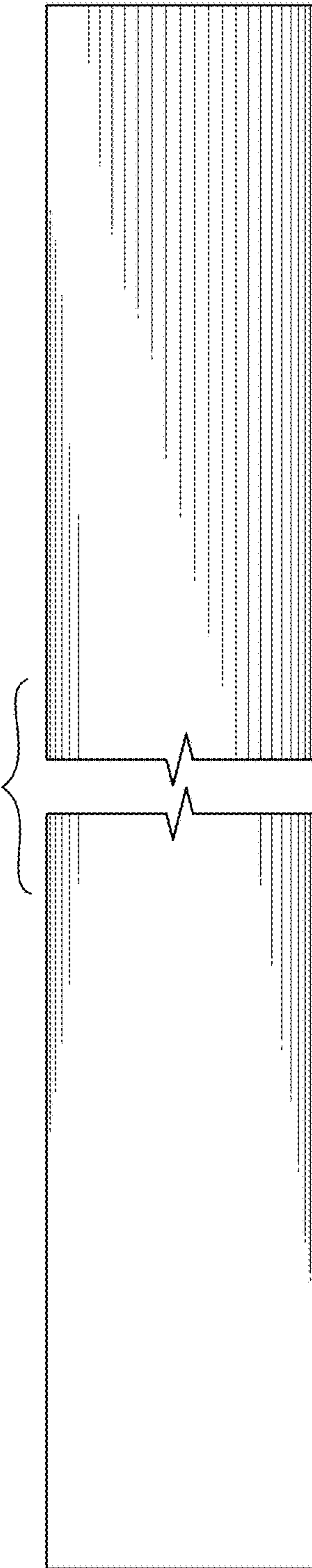


FIG. 6

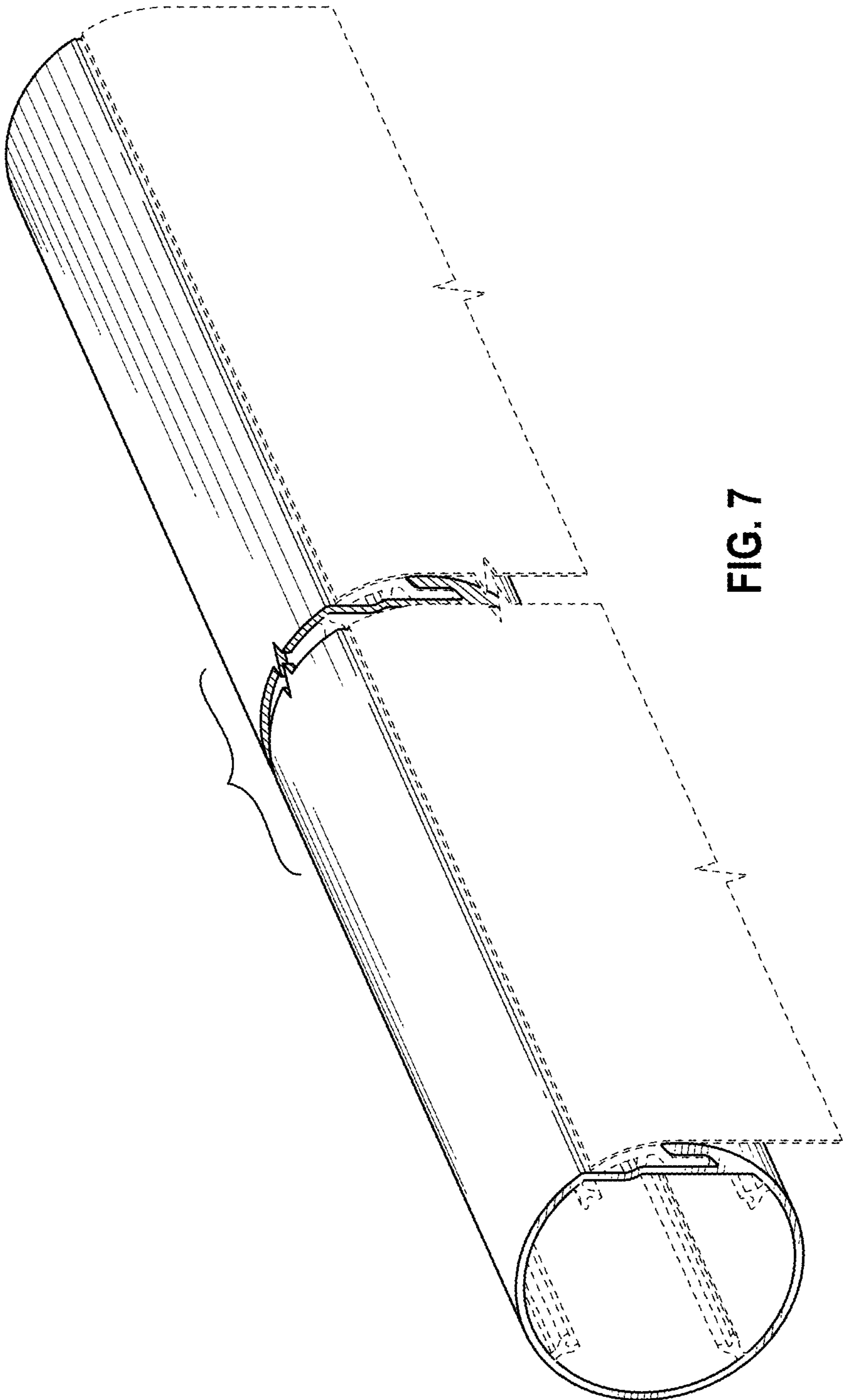


FIG. 7

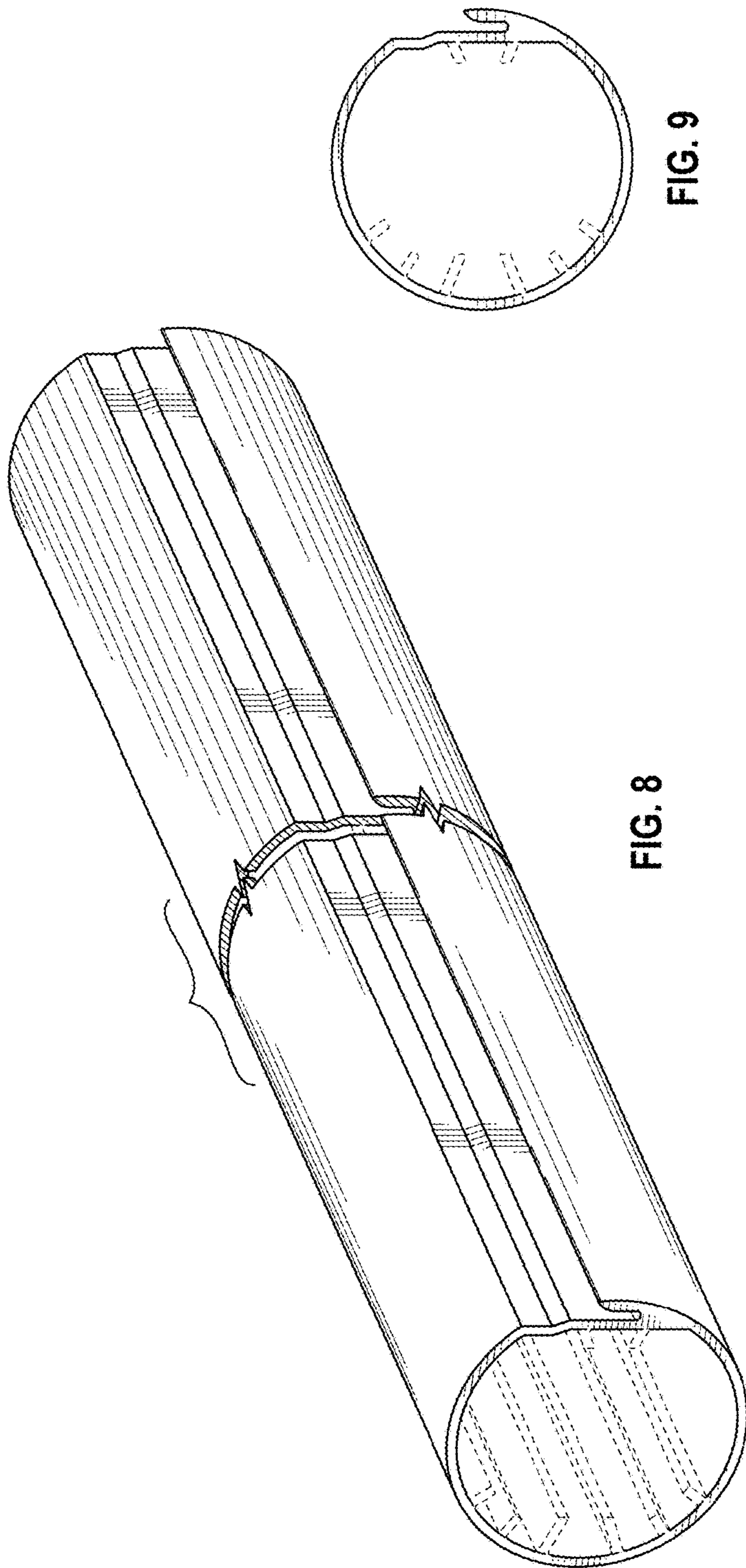


FIG. 8

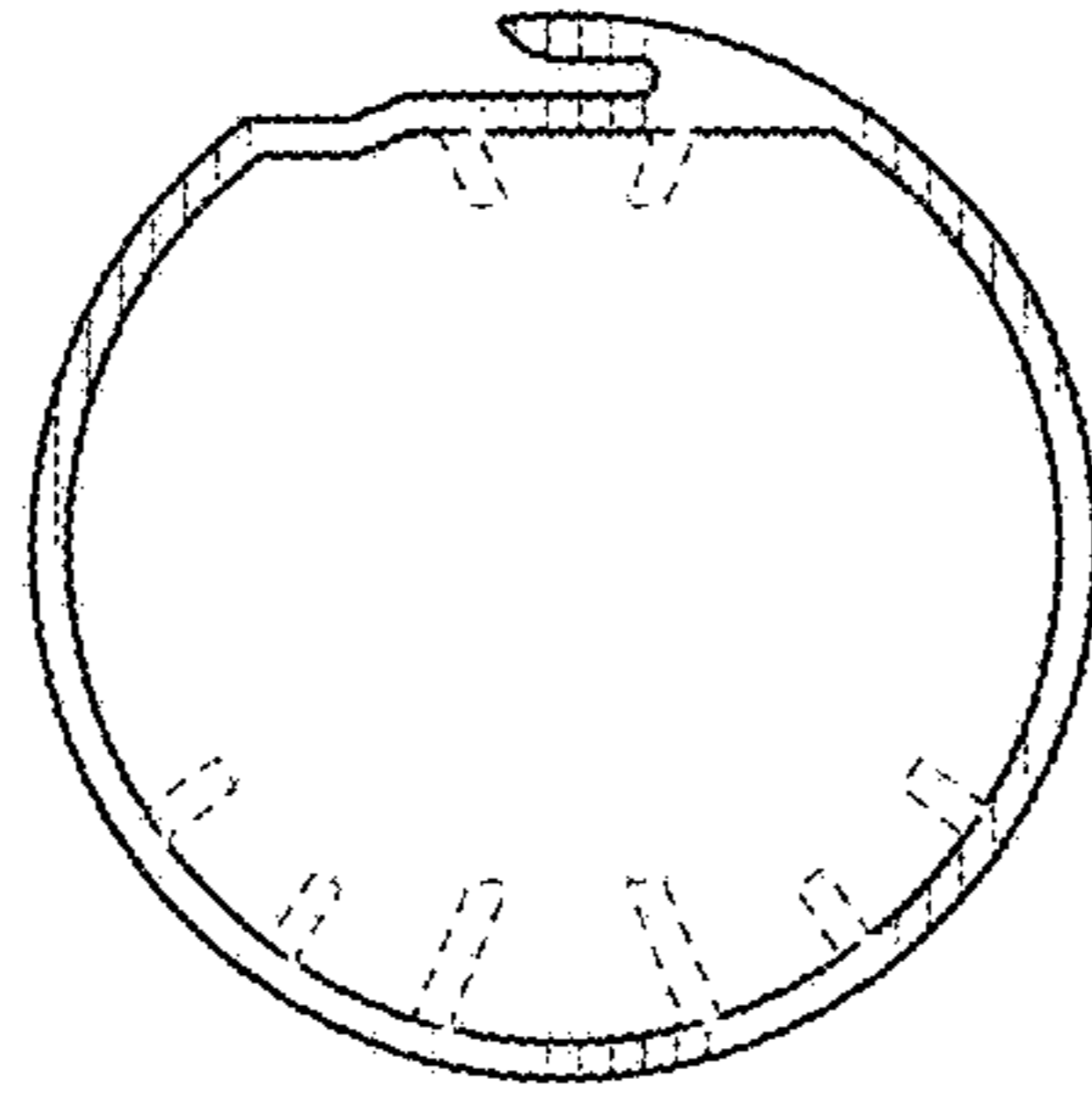


FIG. 9

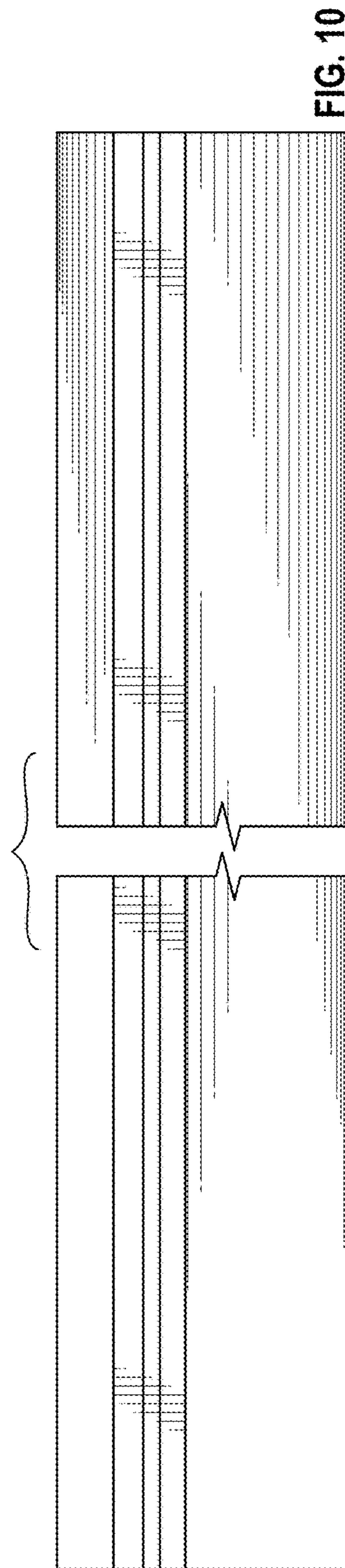
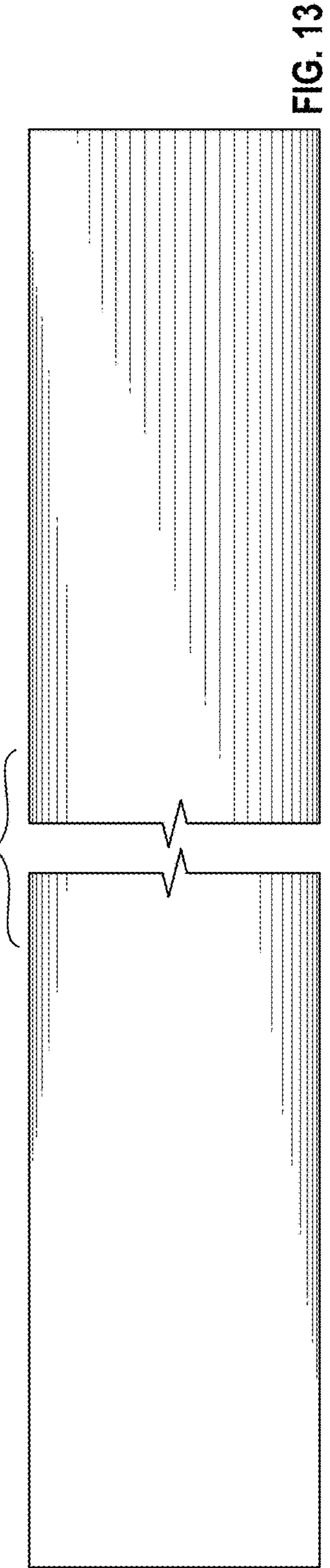
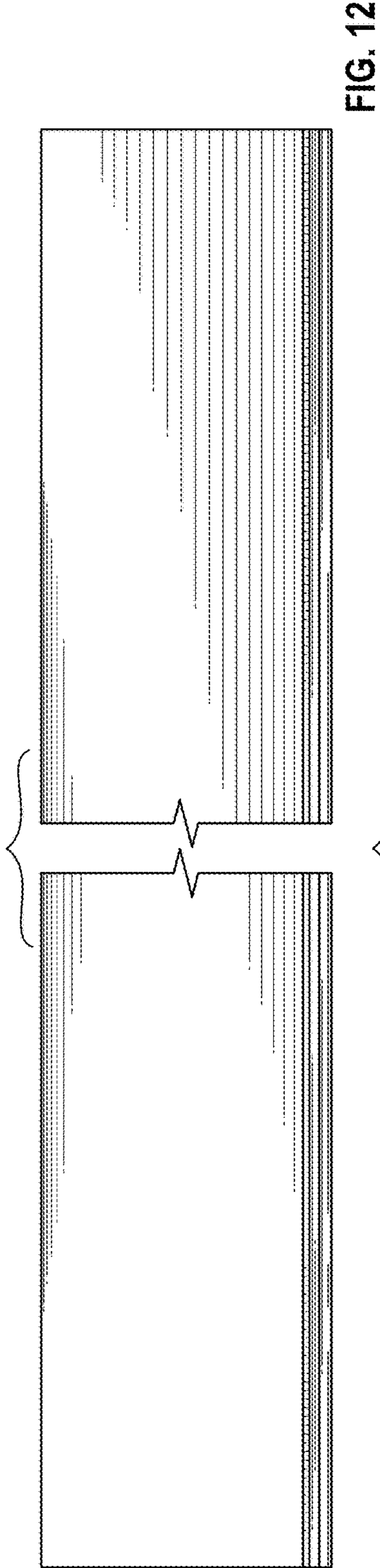
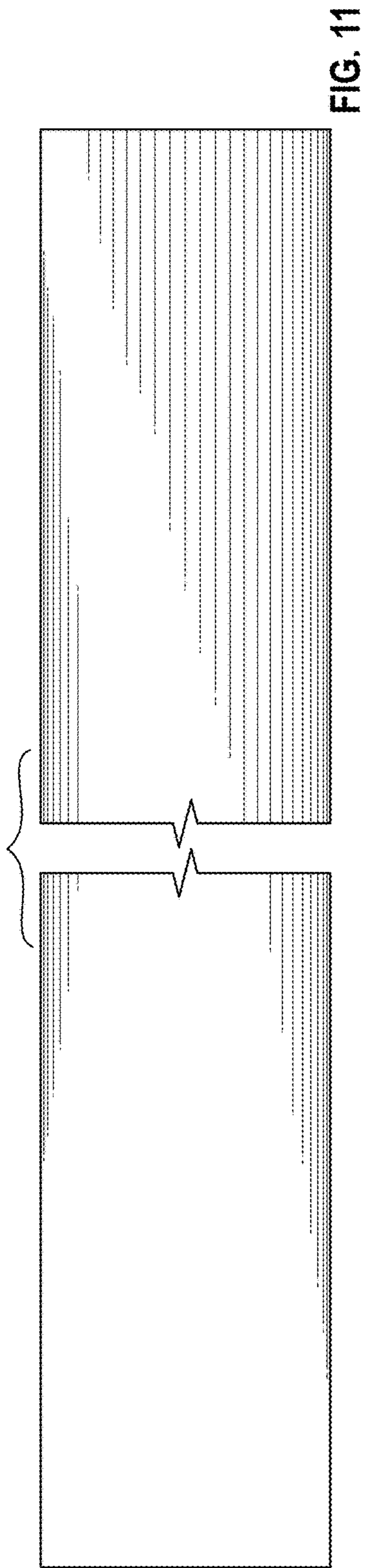


FIG. 10



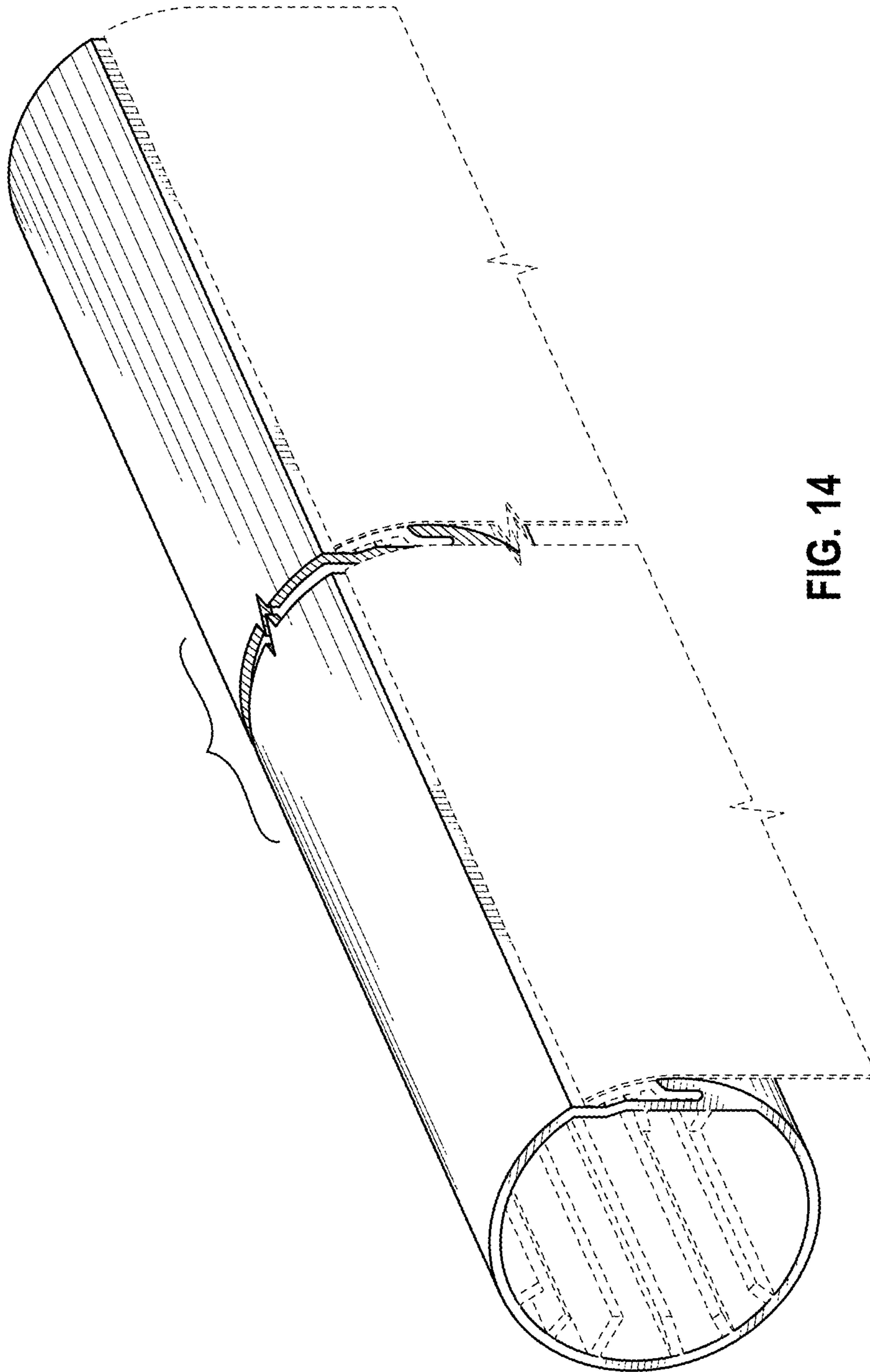


FIG. 14