



US00D825953S

(12) **United States Design Patent**  
**Diamond**

(10) **Patent No.:** **US D825,953 S**

(45) **Date of Patent:** **\*\* Aug. 21, 2018**

(54) **ROLLER WINDOW BLIND HOOK**

FOREIGN PATENT DOCUMENTS

(71) Applicant: **Fourds Limited**, Magherafelt, County Londonderry (GB)

DE 202007001597 4/2007  
EM 002206730 3/2013

(Continued)

(72) Inventor: **Cormac Diamond**, Draperstown (GB)

*Primary Examiner* — Eric L Goodman

*Assistant Examiner* — Clare A Gannon

(73) Assignee: **Fourds Limited**, Magherafelt, County Londonderry (GB)

(74) *Attorney, Agent, or Firm* — Gardner, Linn, Burkhardt & Ondersma LLP

(\*\*) Term: **15 Years**

(57) **CLAIM**  
The ornamental design for a roller window blind hook, as shown and described.

(21) Appl. No.: **29/581,333**

**DESCRIPTION**

(22) Filed: **Oct. 18, 2016**

(51) **LOC (11) Cl.** ..... **06-10**

(52) **U.S. Cl.**

USPC ..... **D6/580**

(58) **Field of Classification Search**

USPC ..... D6/575-581; D8/354, 377; D25/55, D25/119-123, 125

CPC ... A47H 1/04; A47H 1/06; A47H 1/10; A47H 1/13; A47H 1/14; A47H 11/02; A47H 23/00; A47H 23/01; A47H 5/02; B60J 1/2013; E06B 2009/2622; E06B 2009/2627; E06B 2009/425; E06B 2009/583; E06B 9/26; E06B 9/262; E06B 9/30; E06B 9/306; E06B 9/32; E06B 9/323; E06B 9/324; E06B 9/326; E06B 9/367; E06B 9/386; E06B 9/388; E06B 9/40; E06B 9/44; E06B 9/46; E06B 9/48; E06B 9/56; E06B 9/78

See application file for complete search history.

(56) **References Cited**

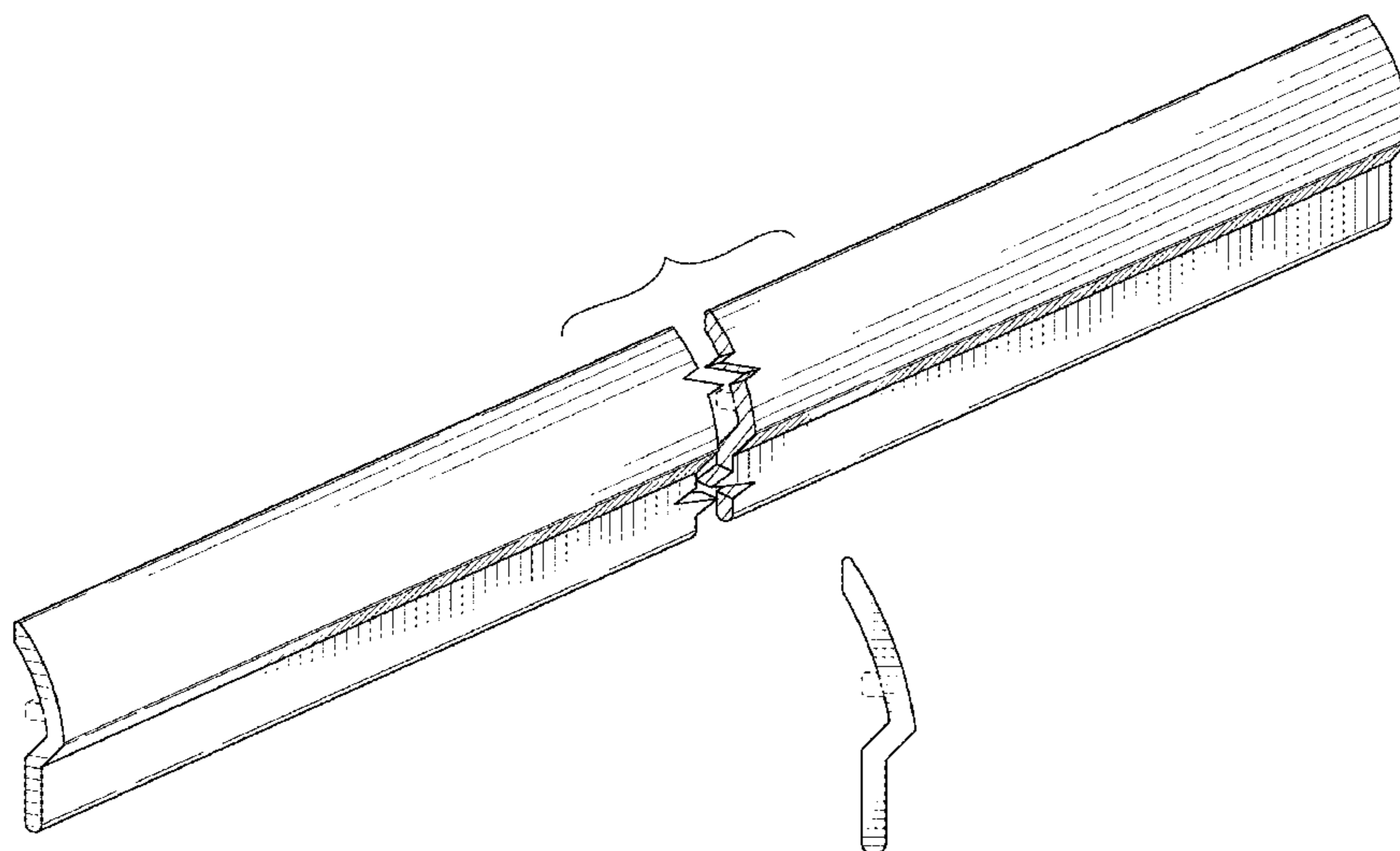
U.S. PATENT DOCUMENTS

D47,730 S \* 8/1915 Heulings ..... D25/119  
1,749,595 A 3/1930 Mark

(Continued)

FIG. 1 is a perspective view of a roller window blind hook showing my new design;  
FIG. 2 is an end elevation thereof;  
FIG. 3 is a front elevation thereof;  
FIG. 4 is a rear elevation thereof;  
FIG. 5 is a top plan view thereof;  
FIG. 6 is a bottom plan view thereof;  
FIG. 7 is another front perspective view of the roller window blind hook of FIG. 1, with a roller blind tube and blind panel shown as environmental structure;  
FIG. 8 is a perspective view of another roller window blind hook showing my new design;  
FIG. 9 is an end elevation view thereof;  
FIG. 10 is a front elevation thereof;  
FIG. 11 is a rear elevation thereof;  
FIG. 12 is a top plan view thereof;  
FIG. 13 is a bottom plan view thereof; and,  
FIG. 14 is another front perspective view of the roller window blind hook of FIG. 8, with a roller blind tube and blind panel shown as environmental structure.  
In the drawings, the broken lines depict portions of the roller window blind hook and environmental structure that form no part of the claimed design.  
In the drawings, portions of the roller window blind hook between the break lines and designated by brackets in FIGS. 1, 3-8 and 10-14 form no part of the claimed design.

**1 Claim, 6 Drawing Sheets**



(56)

References Cited

U.S. PATENT DOCUMENTS

D103,487 S \* 3/1937 Bonnell ..... D25/119  
 D173,462 S \* 11/1954 Schmoller ..... D32/41  
 D191,907 S \* 12/1961 Conradt ..... D25/119  
 D192,849 S \* 5/1962 McEvoy ..... D8/373  
 3,186,474 A 6/1965 Levitas  
 D259,143 S \* 5/1981 Aktinson ..... D25/119  
 D280,247 S \* 8/1985 Jones ..... D32/41  
 D354,189 S \* 1/1995 Underdahl ..... D6/575  
 D357,563 S \* 4/1995 Vosbikian ..... D32/41  
 D360,038 S \* 7/1995 Bancroft ..... D25/119  
 5,450,890 A 9/1995 Pinkalla et al.  
 D362,934 S \* 10/1995 Hansen ..... D32/41  
 5,456,304 A \* 10/1995 Colson ..... E06B 9/171  
 160/121.1  
 D368,344 S \* 3/1996 Hansen ..... D32/41  
 D398,283 S \* 9/1998 Miller ..... D12/223  
 6,050,322 A \* 4/2000 Finkelstein ..... A47H 1/04  
 160/178.1 R  
 6,237,667 B1 \* 5/2001 Fraczek ..... E06B 9/46  
 160/121.1  
 6,286,802 B1 \* 9/2001 Munson ..... A47G 1/1606  
 248/475.1  
 6,876,493 B1 4/2005 Lin  
 7,001,558 B2 \* 2/2006 Baldoni ..... B29C 33/12  
 249/117  
 D557,112 S \* 12/2007 Franssen ..... D8/349  
 D558,569 S \* 1/2008 Hanley ..... A47K 3/34  
 D8/400

7,458,175 B2 12/2008 Meyer et al.  
 7,510,111 B2 3/2009 Mikkelsen et al.  
 D633,320 S \* 3/2011 Brace ..... D6/580  
 D659,513 S \* 5/2012 Lin ..... D8/349  
 D668,945 S \* 10/2012 Fernandez ..... D8/377  
 8,559,104 B2 10/2013 Hendricks  
 D698,046 S \* 1/2014 Griffiths ..... D25/141  
 D698,946 S \* 2/2014 Griffiths ..... D25/125  
 D746,745 S \* 1/2016 Schoonover ..... D12/190  
 D768,882 S \* 10/2016 Mumford, Sr. .... D25/119  
 D769,034 S \* 10/2016 Lawson ..... D6/681.1  
 D769,462 S \* 10/2016 Mumford, Sr. .... D25/119  
 D785,209 S \* 4/2017 Ryan ..... D25/119  
 D786,033 S \* 5/2017 Rambling ..... D8/45  
 D793,138 S \* 8/2017 Baldoni ..... D6/707.24  
 D809,674 S \* 2/2018 Singh ..... D25/119  
 2002/0125389 A1 \* 9/2002 Chu ..... A47B 96/027  
 248/235  
 2005/0247410 A1 \* 11/2005 Nien ..... E06B 9/34  
 160/84.04  
 2010/0155000 A1 \* 6/2010 Krab ..... E06B 9/307  
 160/171  
 2011/0180219 A1 7/2011 Pereira et al.  
 2015/0252614 A1 9/2015 Diamond

FOREIGN PATENT DOCUMENTS

FR 2872850 1/2006  
 JP H08121050 5/1996  
 JP H10292756 11/1998

\* cited by examiner

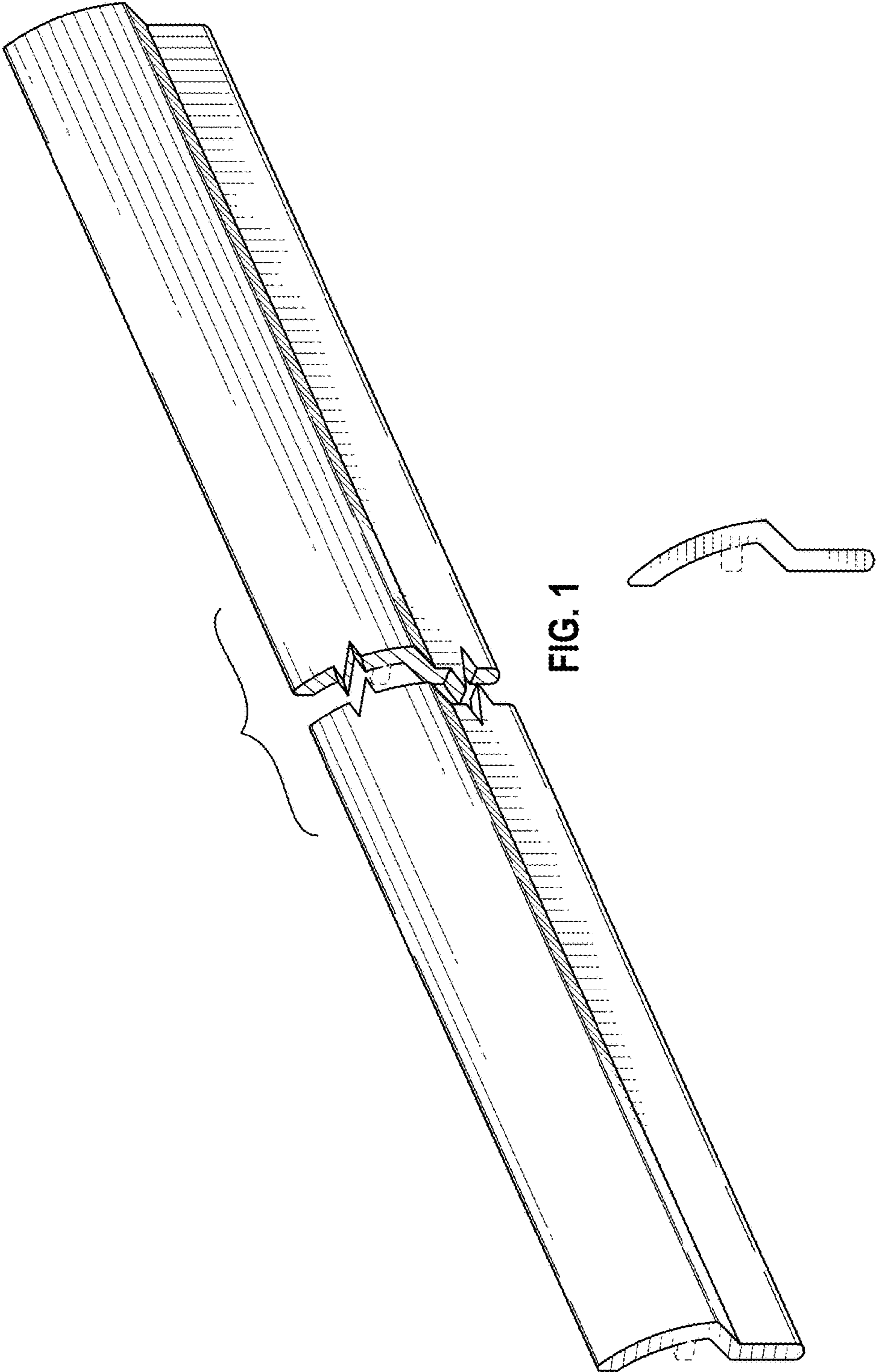


FIG. 1

FIG. 2

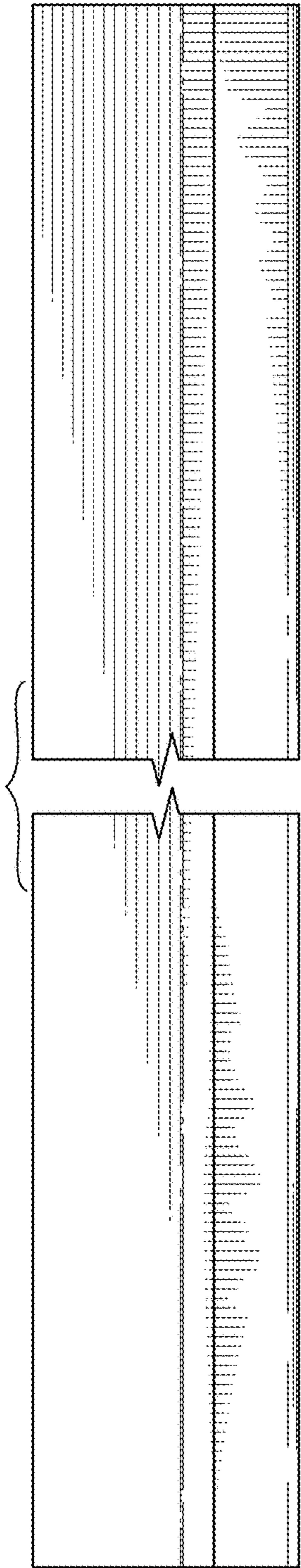


FIG. 3

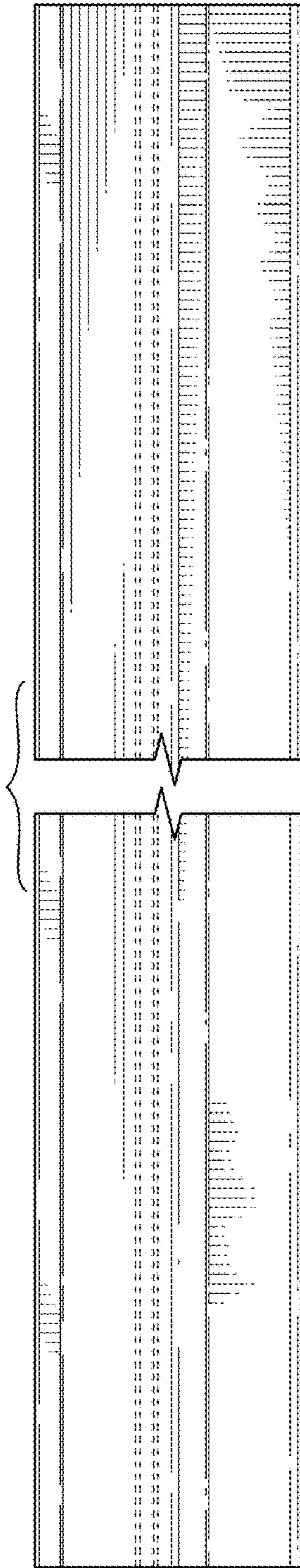


FIG. 4



FIG. 5



FIG. 6

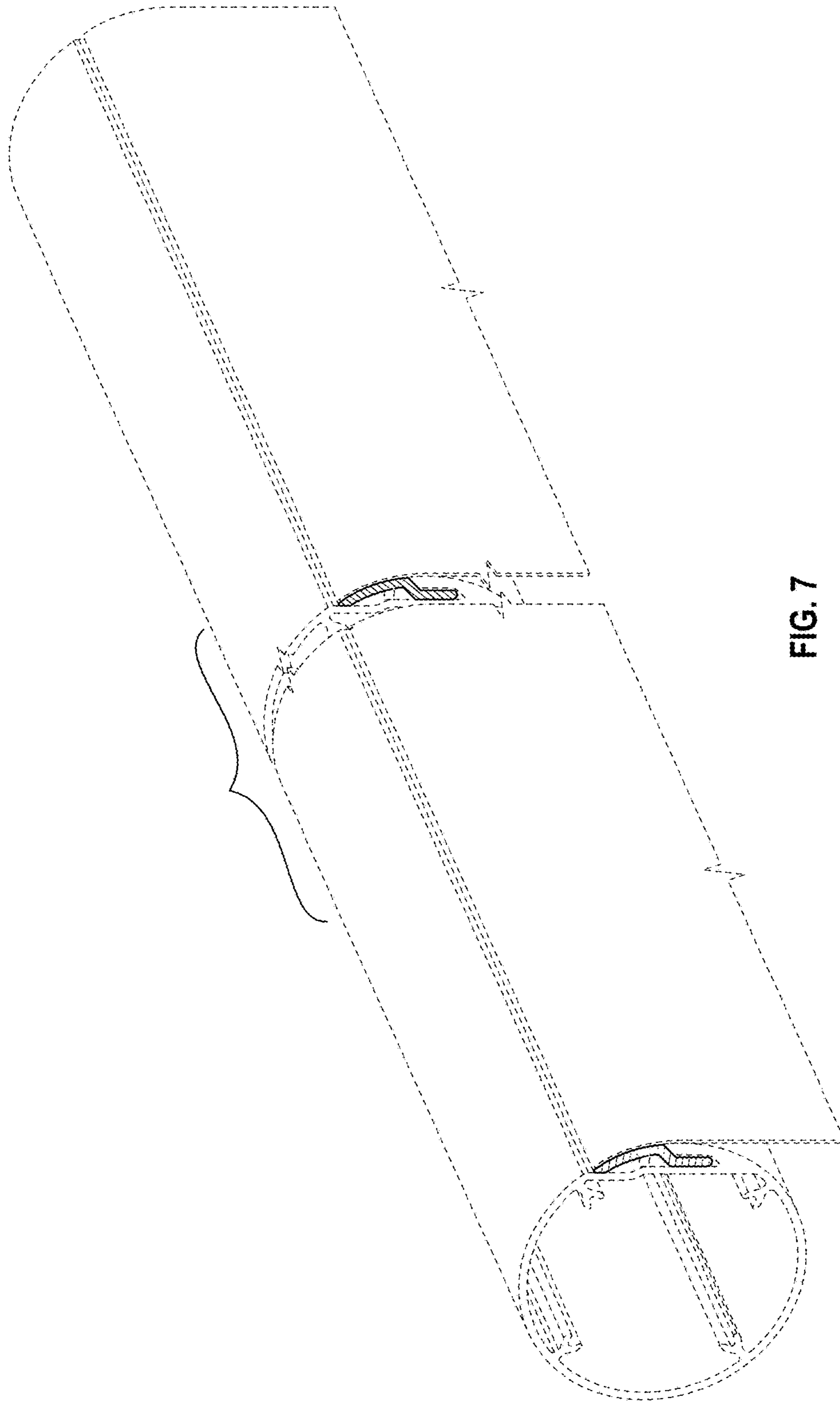


FIG. 7

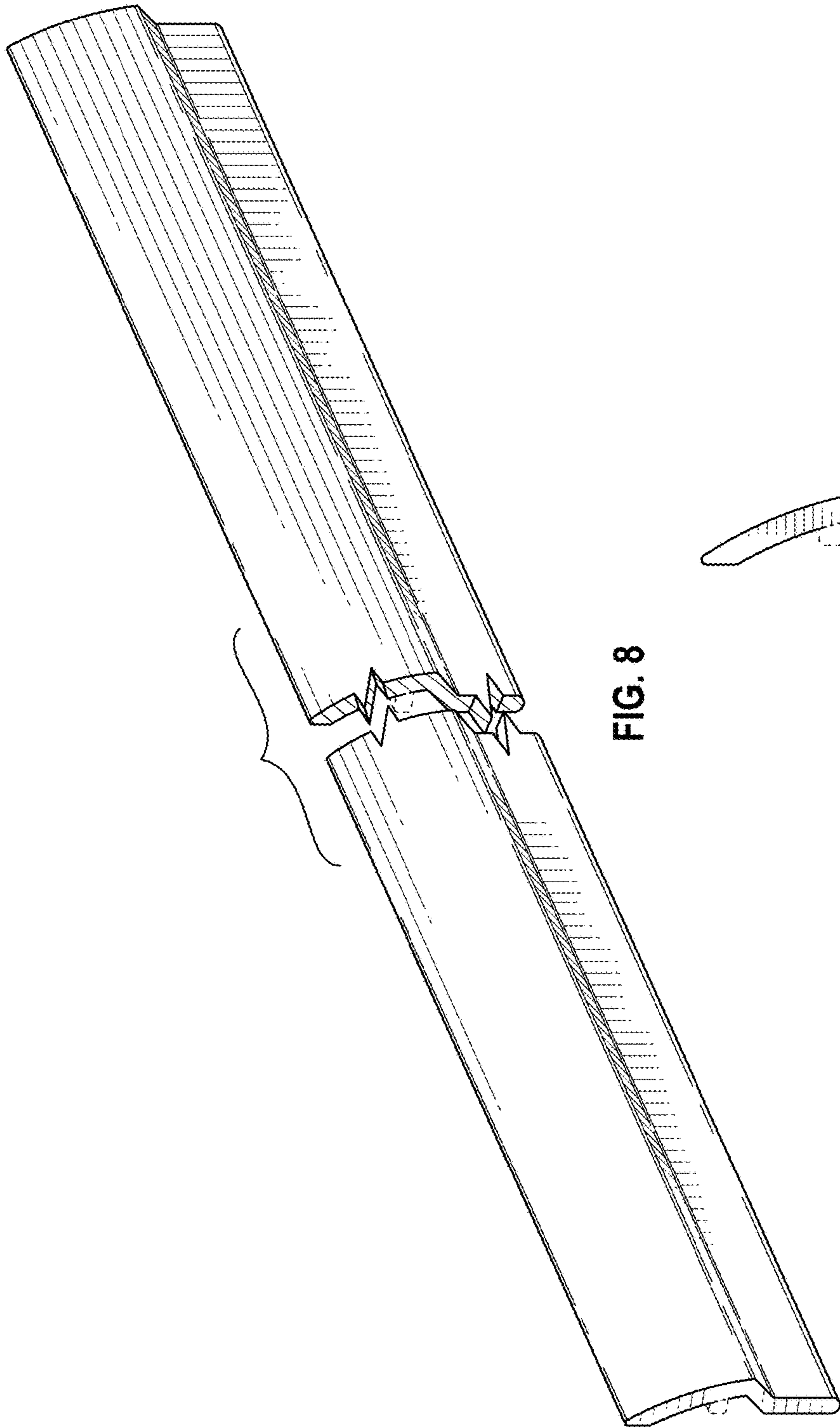


FIG. 8



FIG. 9

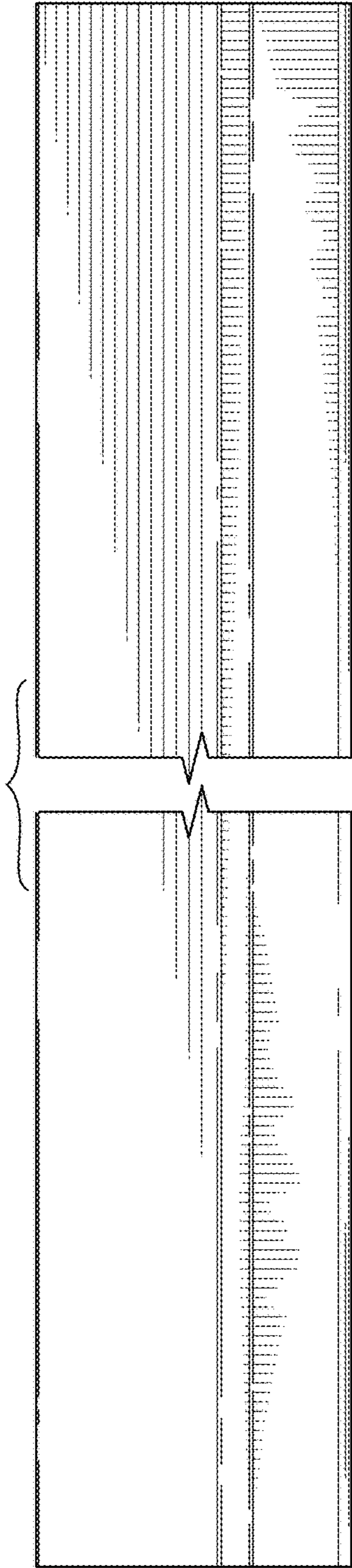


FIG. 10

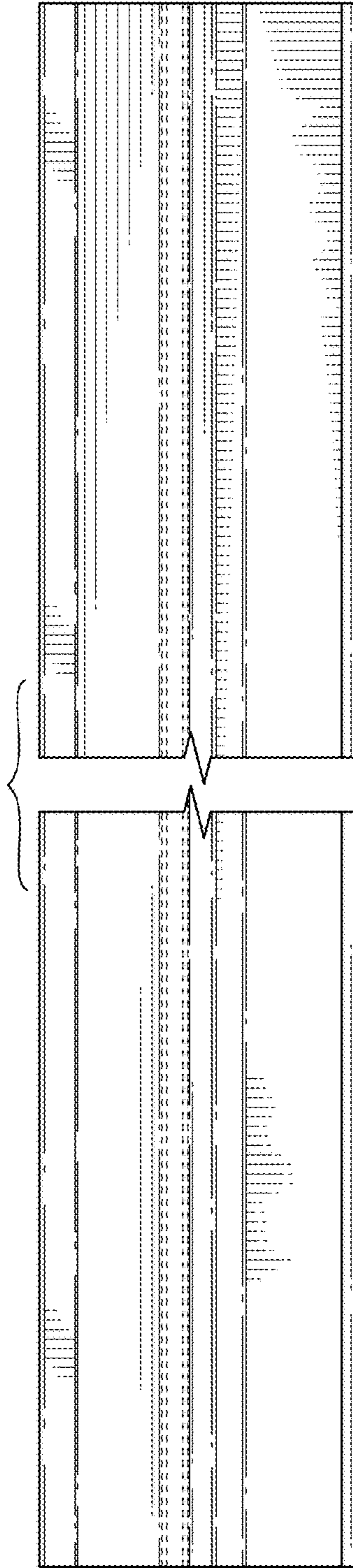


FIG. 11



FIG. 12

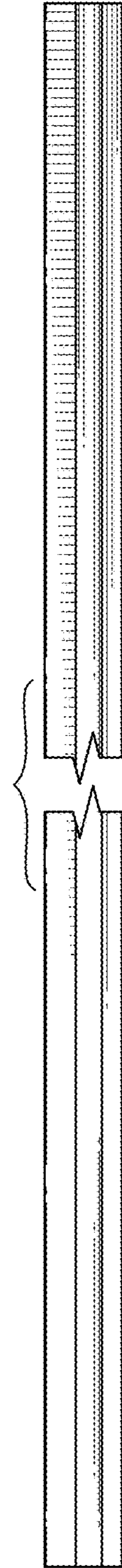


FIG. 13

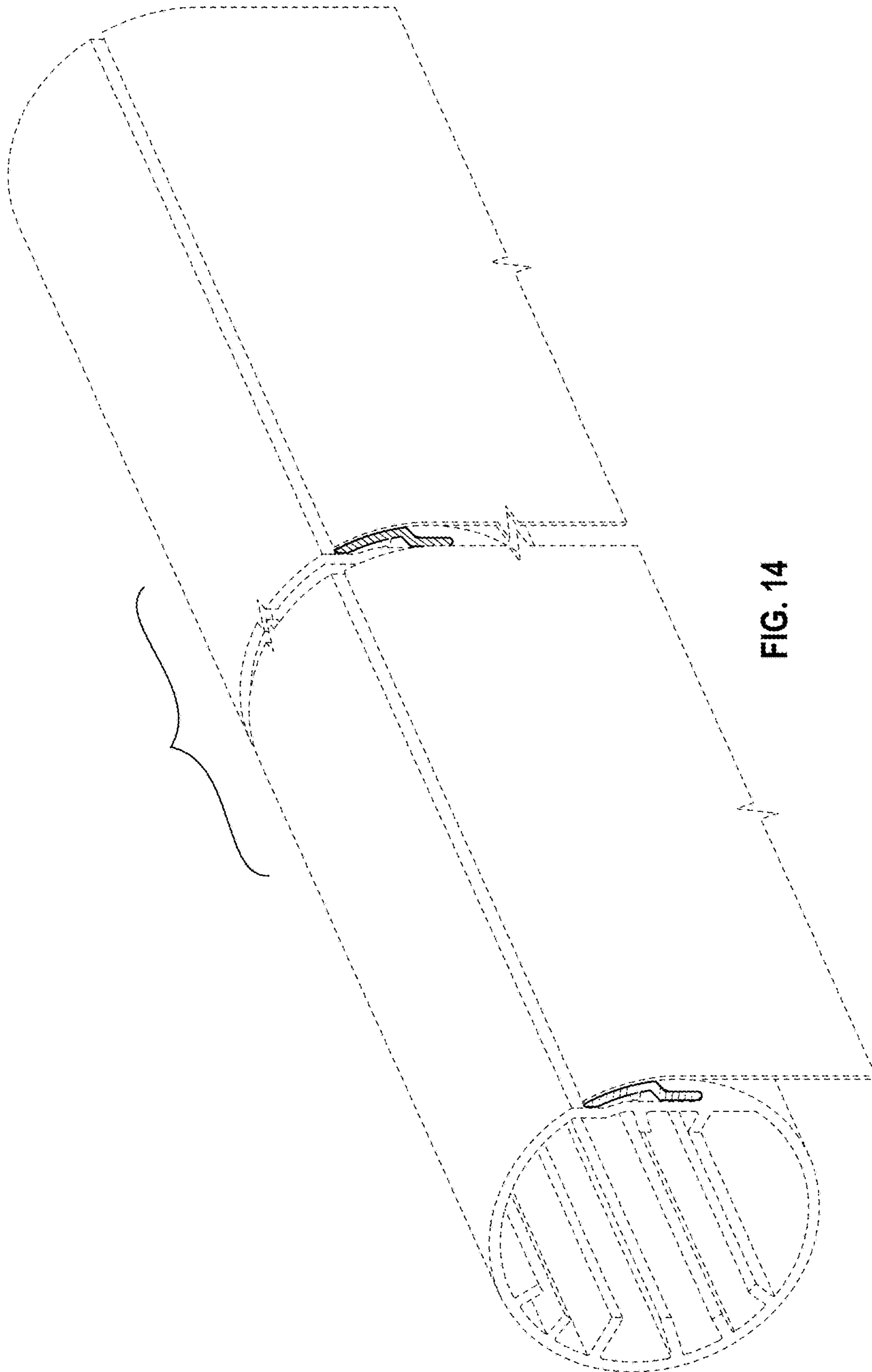


FIG. 14