

US00D825952S

(12) **United States Design Patent** (10) **Patent No.:** **US D825,952 S**
Garcia (45) **Date of Patent:** **** Aug. 21, 2018**

(54) **HANGING BAG STORAGE DEVICE**

(71) Applicant: **Vickie Garcia**, Cameron, NC (US)

(72) Inventor: **Vickie Garcia**, Cameron, NC (US)

(**) Term: **15 Years**

(21) Appl. No.: **29/574,402**

(22) Filed: **Aug. 15, 2016**

(51) **LOC (11) Cl.** **06-04**

(52) **U.S. Cl.**
USPC **D6/566**

(58) **Field of Classification Search**
USPC D6/514, 323, 567, 553, 552, 570, 682.2,
D6/682.4; D19/65; D8/356, 381, 373,
D8/394; D9/455; D20/43, 44
CPC A47F 5/01; A47F 5/112; A47F 5/0006;
A47F 5/0884; A47F 7/143
See application file for complete search history.

D464,510 S *	10/2002	Shea	D6/682.2
D464,837 S *	10/2002	Shea	D6/514
D464,838 S *	10/2002	Shea	D6/567
D465,371 S *	11/2002	Shea	D6/567
D465,372 S *	11/2002	Shea	D6/567
D466,352 S *	12/2002	Shea	D6/514
D467,114 S *	12/2002	Shea	D6/566
D496,581 S *	9/2004	Shaw	D6/514
D499,294 S *	12/2004	Scott	D6/552
D546,601 S *	7/2007	Murphy	D6/514
D558,497 S *	1/2008	Murphy	D6/514
D566,405 S *	4/2008	Belokin	D6/315
D578,312 S *	10/2008	Belokin	D6/315
D582,686 S *	12/2008	Belokin	D6/315
D666,896 S *	9/2012	Pinholster, Jr.	D8/356
8,616,384 B1	12/2013	Tucker	
D723,845 S *	3/2015	Valiulis	D6/682.4
2015/0008200 A1	1/2015	Koullouros	

* cited by examiner

Primary Examiner — David Muller
Assistant Examiner — Nathan Johnston
(74) *Attorney, Agent, or Firm* — Cramer Patent & Design, PLLC; Aaron R. Cramer

(56) **References Cited**

U.S. PATENT DOCUMENTS

D138,739 S *	9/1944	Harris	D8/356
3,967,346 A	7/1976	Young, Jr.	
D257,709 S *	12/1980	Lewis	D6/570
D273,544 S *	4/1984	Sheftel	D6/323
4,573,590 A	3/1986	Ellis	
4,767,012 A	8/1988	Simmons	
D309,252 S *	7/1990	Crowley	D8/373
D346,922 S *	5/1994	Lewis	D6/570
D367,574 S	3/1996	Werner	
D377,123 S *	1/1997	Hutchens	D6/323
D378,219 S *	2/1997	Marshallack	D19/65
5,967,341 A	10/1999	Werner	
D432,844 S *	10/2000	Shea	D6/553
D435,381 S *	12/2000	Shea	D6/566
6,213,316 B1	4/2001	Gretz	
D457,365 S *	5/2002	Shea	D6/513

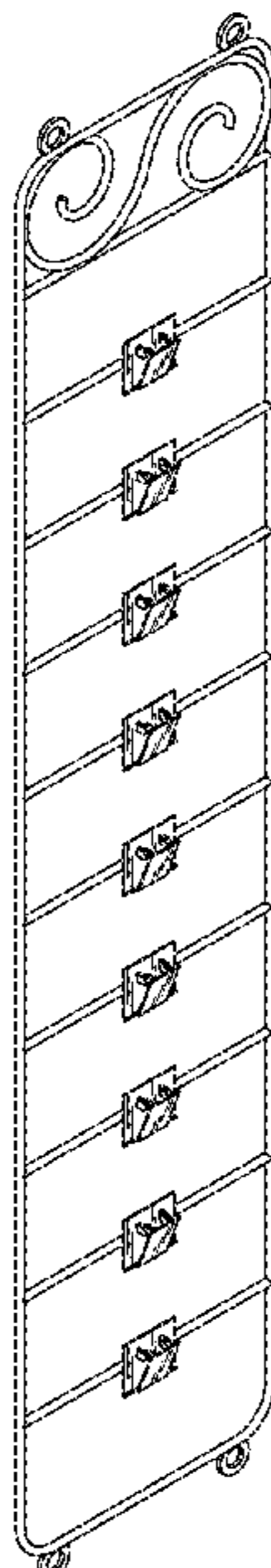
(57) **CLAIM**

The ornamental design for a hanging bag storage device, as shown and described.

DESCRIPTION

FIG. 1 is a front top side perspective view of a hanging bag storage device, showing my new design; FIG. 2 is a front side elevation view thereof; FIG. 3 is a rear side elevation view thereof; FIG. 4 is a left side elevation view thereof; FIG. 5 is a right side elevation view thereof; FIG. 6 is a top side plan view thereof; and, FIG. 7 is a bottom side plan view thereof.

1 Claim, 6 Drawing Sheets



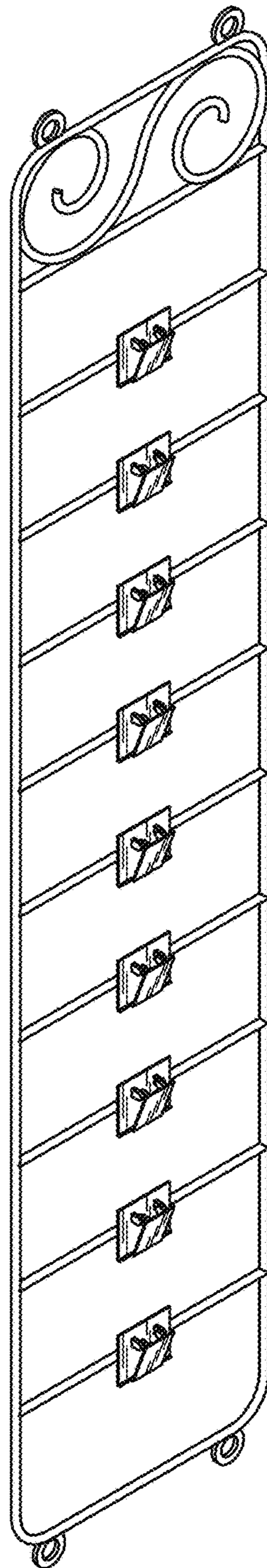


FIG. 1

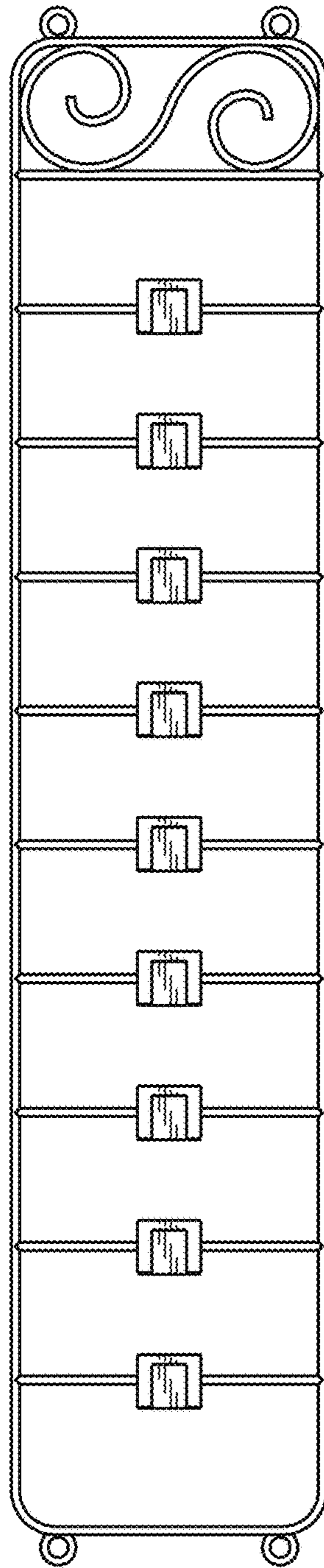


FIG. 2

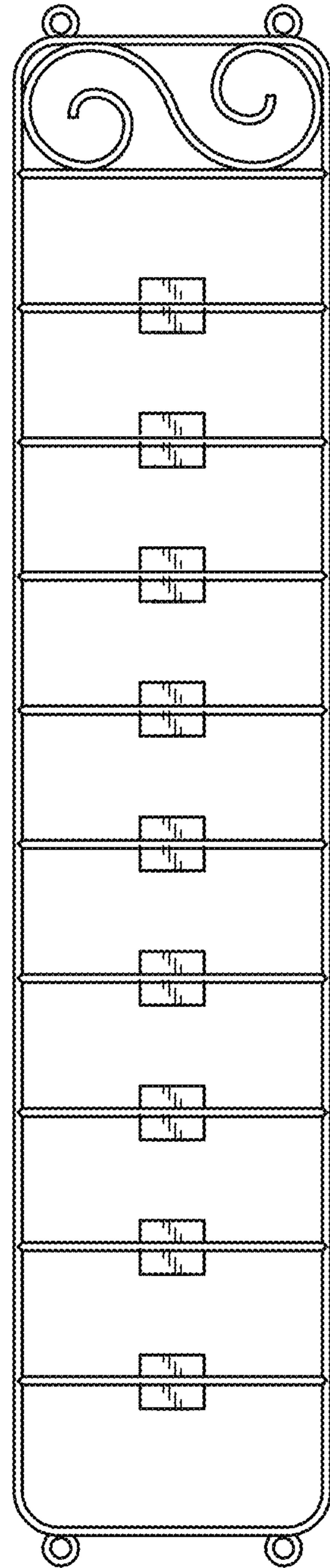


FIG. 3



FIG. 4



FIG. 5

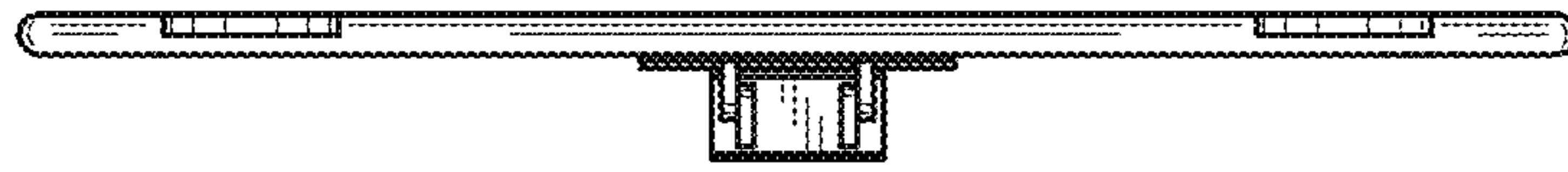


FIG. 6



FIG. 7