



US00D825950S

(12) **United States Design Patent**
Gwee

(10) **Patent No.:** **US D825,950 S**

(45) **Date of Patent:** **** Aug. 21, 2018**

(54) **BUNK BED**

D653,872 S * 2/2012 Chen A47C 19/205
D6/384

(71) Applicant: **LB Furniture Sdn Bhd**, Muar, Johor
(MY)

D754,452 S * 4/2016 Kingston D6/383
2006/0107457 A1* 5/2006 Jannetides A47C 15/002
5/9.1

(72) Inventor: **An Ling Gwee**, Johor (MY)

* cited by examiner

(73) Assignee: **LB Furniture Sdn Bhd**, Muar, Johor
(MY)

Primary Examiner — Cathron C Brooks

(74) *Attorney, Agent, or Firm* — Harness, Dickey &
Pierce, P.L.C.

(**) Term: **15 Years**

(21) Appl. No.: **29/603,771**

(57) **CLAIM**

(22) Filed: **May 12, 2017**

The ornamental design for a bunk bed, as shown and
described.

(51) **LOC (11) Cl.** **06-02**

(52) **U.S. Cl.**
USPC **D6/390**

(58) **Field of Classification Search**
USPC D6/383, 384, 389, 390, 391, 392
CPC A47C 19/20; A47C 19/202; A47C 19/205;
A47D 11/005

DESCRIPTION

See application file for complete search history.

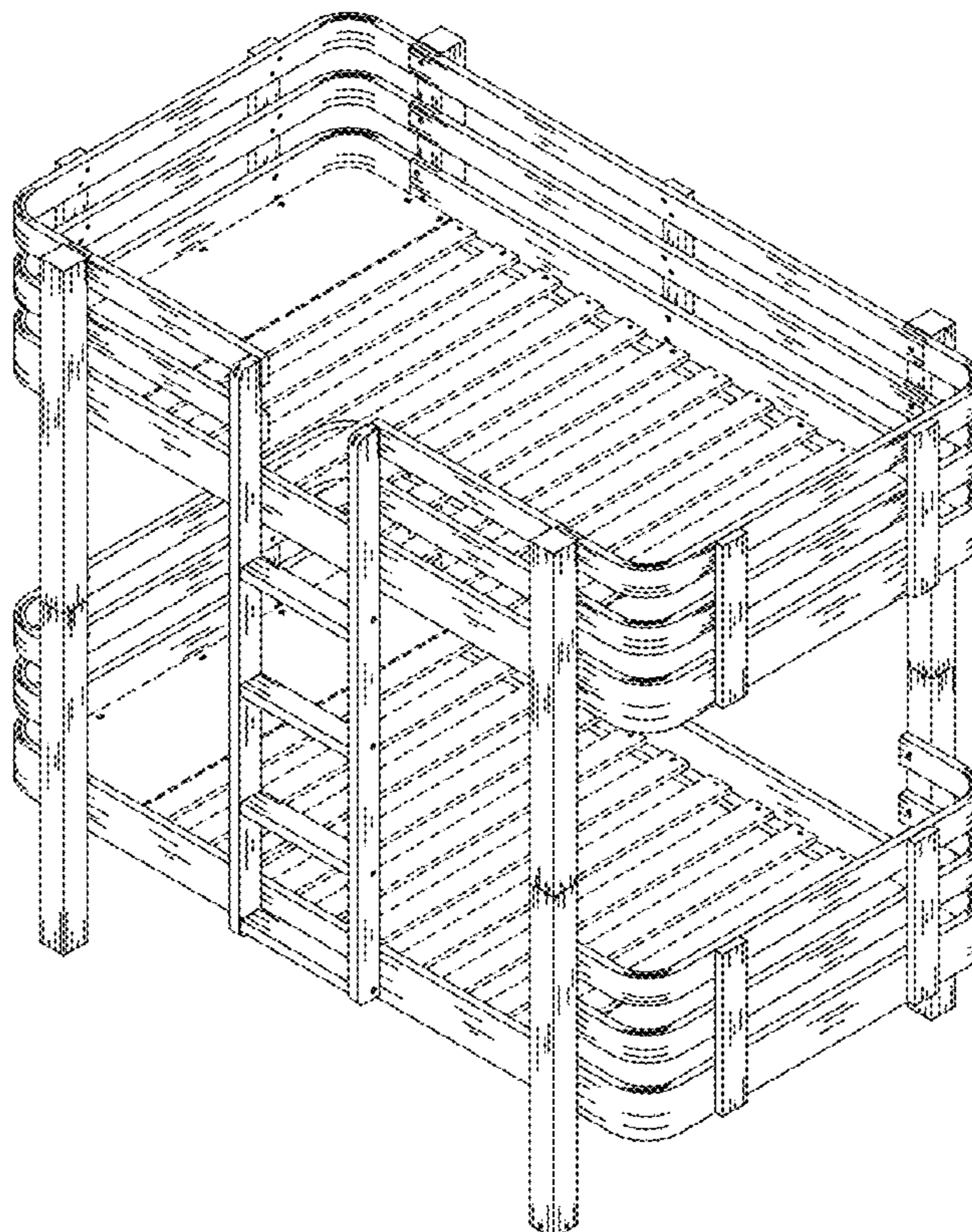
FIG. 1 is a front, left perspective view of an example
embodiment of a bunk bed of my new design;
FIG. 2 is a front, side view of the bunk bed of FIG. 1;
FIG. 3 is a rear, side view of the bunk bed of FIG. 1;
FIG. 4 is an end view of the bunk bed of FIG. 1; and,
FIG. 5 is top view of the bunk bed of FIG. 1.
The broken lines in the drawings illustrate portions of the
bunk bed that form no part of the claimed design.

(56) **References Cited**

U.S. PATENT DOCUMENTS

D269,484 S * 6/1983 Thompson D6/390
4,622,705 A * 11/1986 Joubert A47D 11/005
5/296

1 Claim, 5 Drawing Sheets



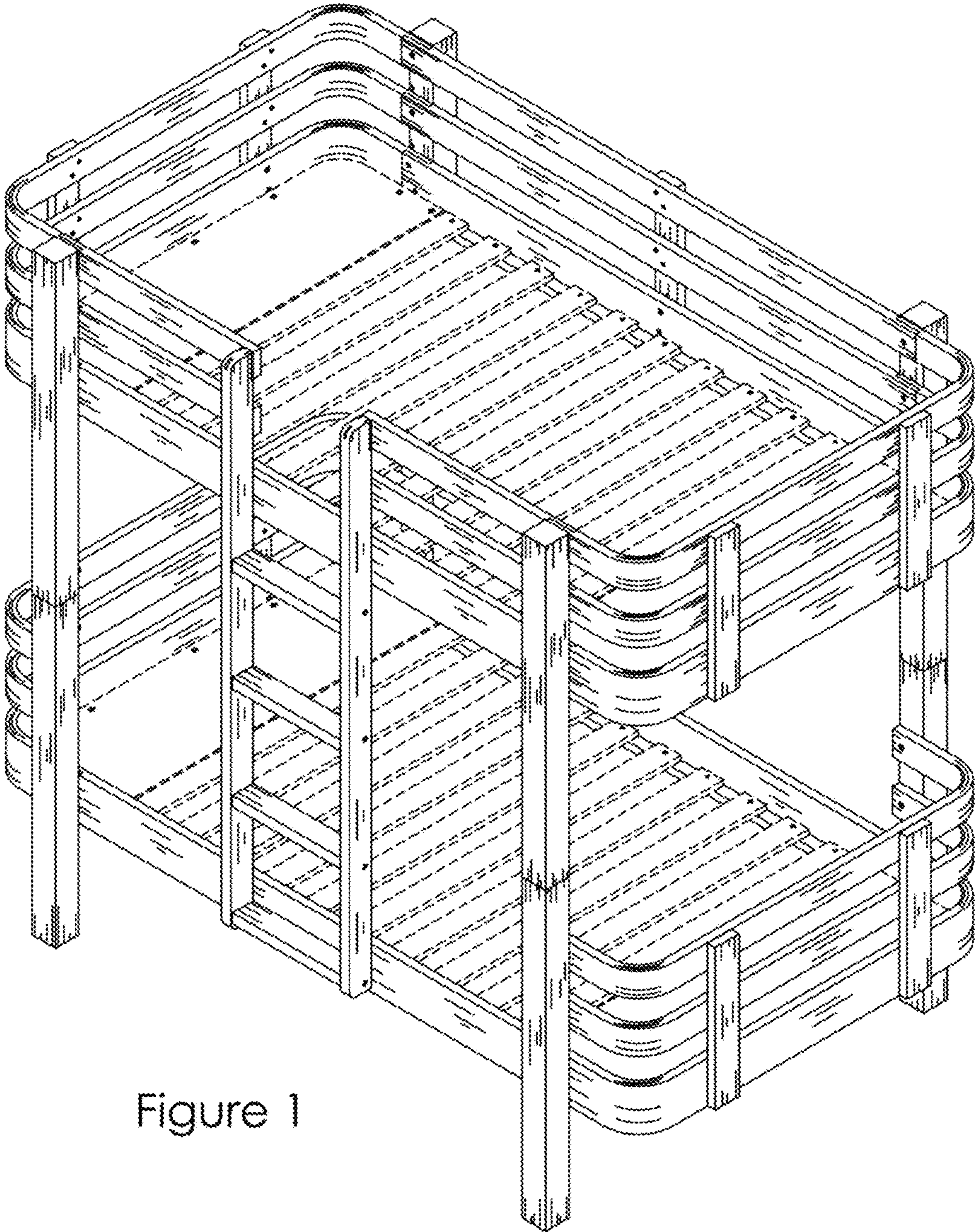


Figure 1

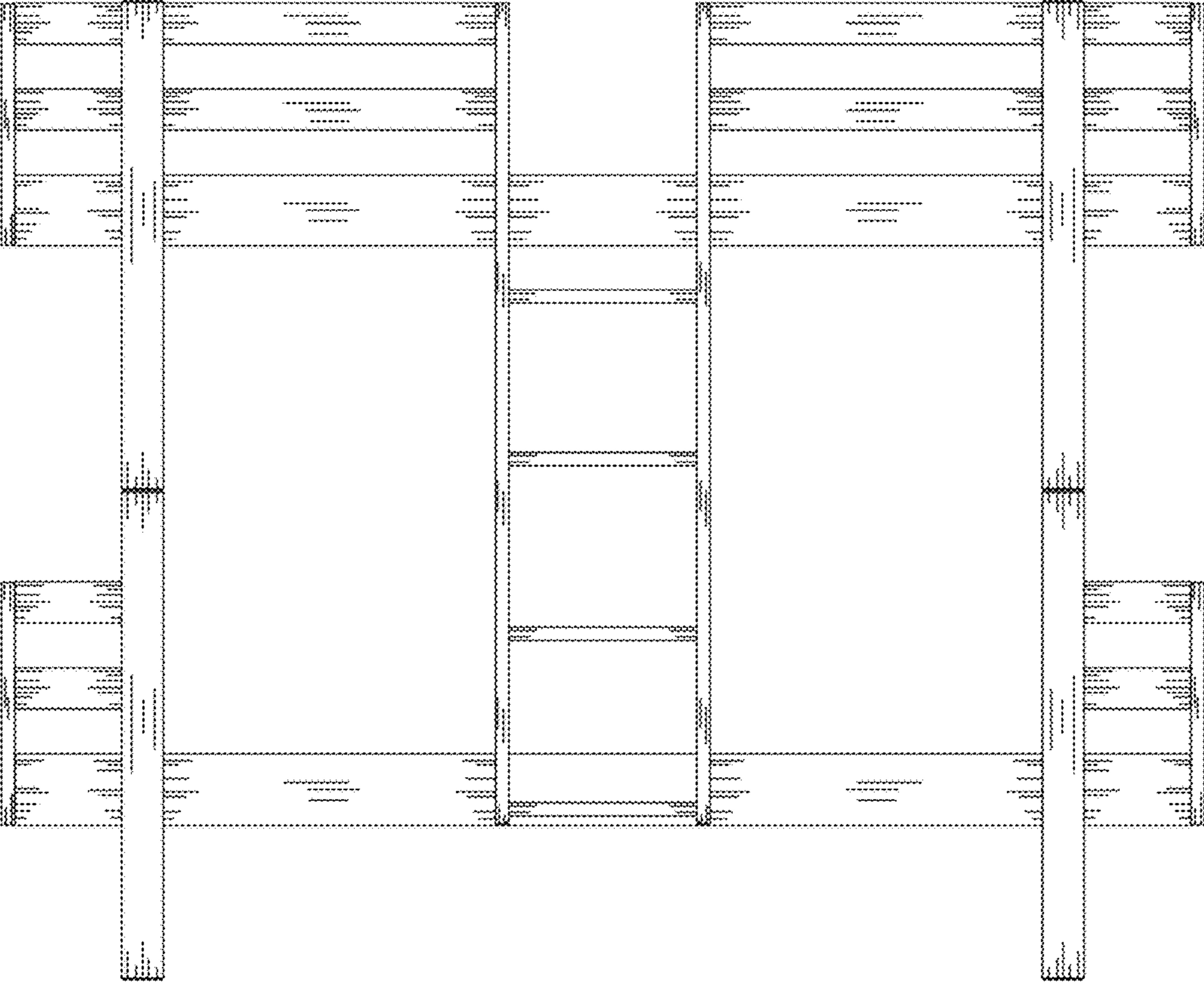


Figure 2

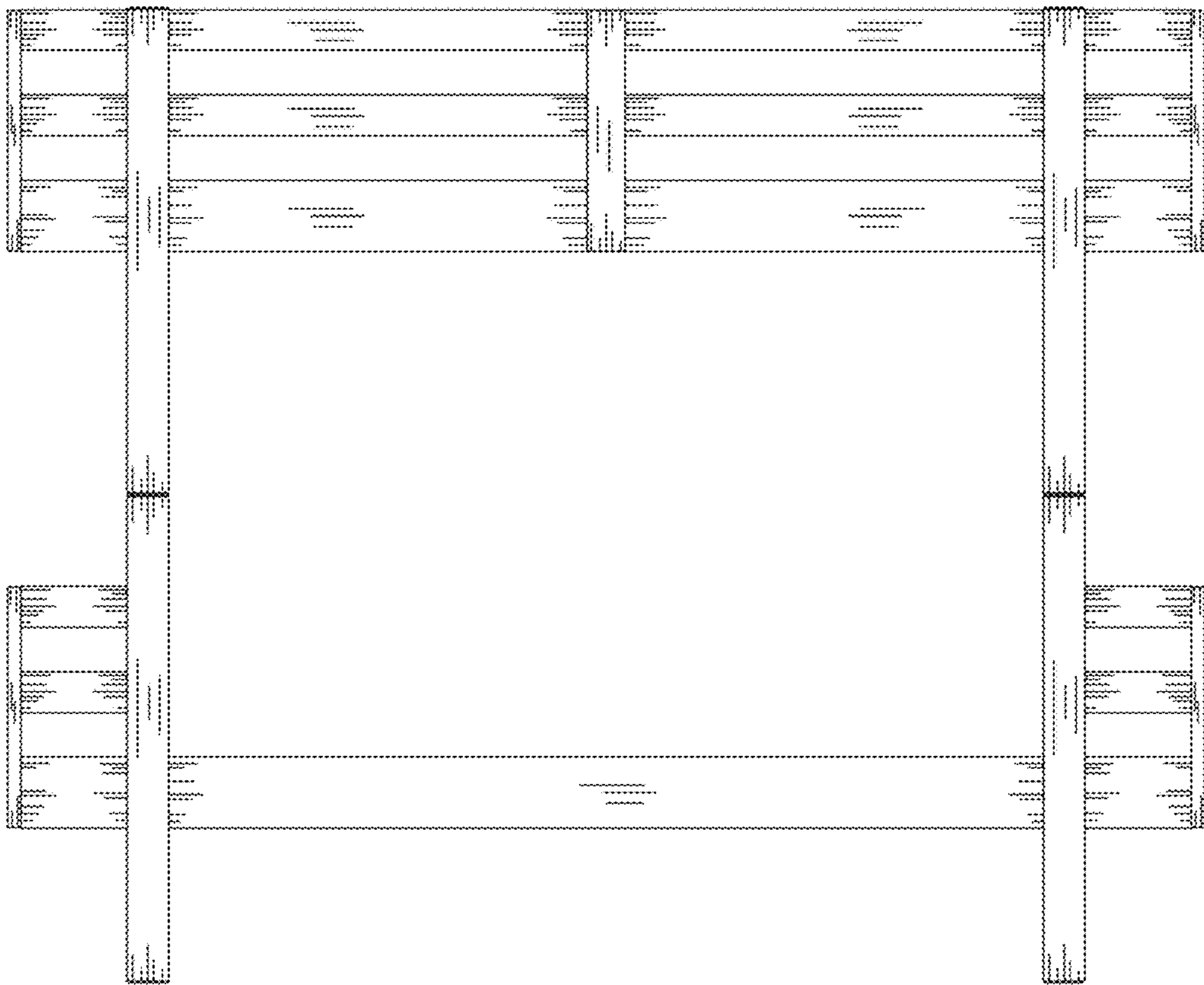


Figure 3

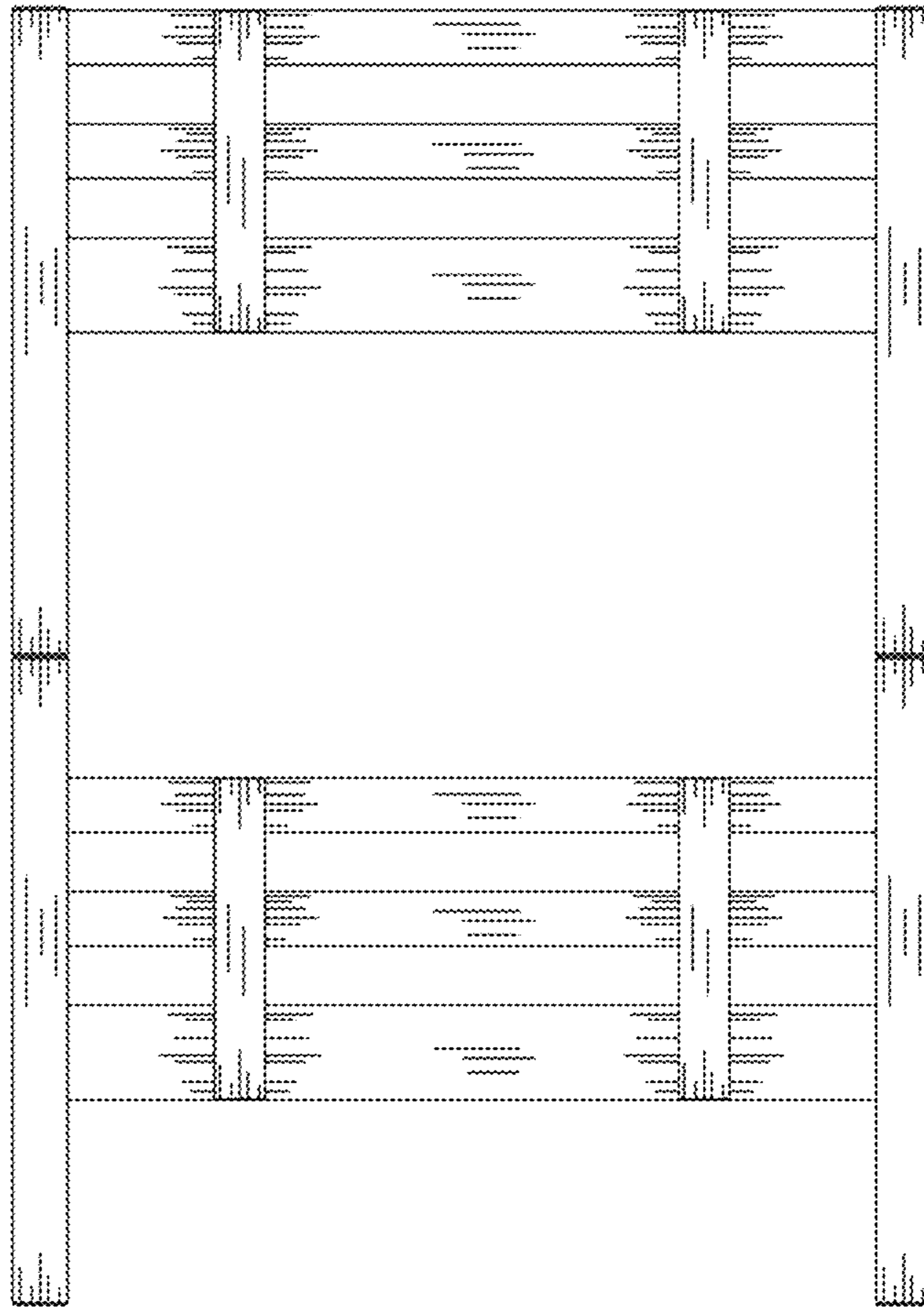


Figure 4

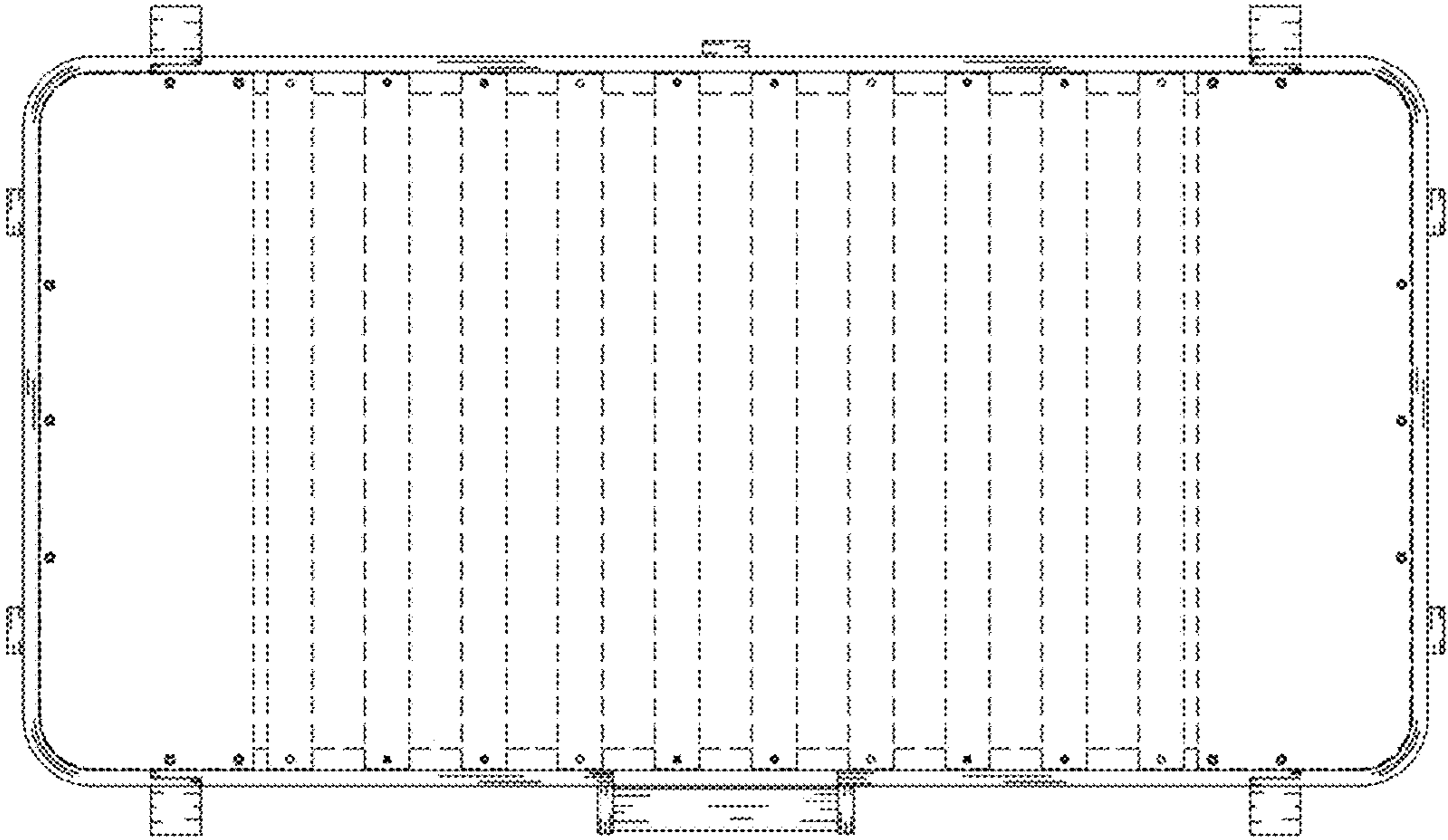


Figure 5