

US00D825945S

(12) **United States Design Patent**
Emerson et al.

(10) **Patent No.:** **US D825,945 S**

(45) **Date of Patent:** **** Aug. 21, 2018**

(54) **COLLAPSIBLE SWIVEL CHAIR**
(71) Applicant: **CHAMA CHAIRS HOLDINGS, LLC,**
Dallas, TX (US)

D396,569 S * 8/1998 Chen D6/368
6,045,177 A * 4/2000 Grace A47C 4/286
297/183.5
6,536,732 B1 * 3/2003 Chang A47C 9/105
297/344.21

(72) Inventors: **Cory Emerson,** Dallas, TX (US); **Clay A. Cammack,** Ft. Worth, TX (US);
Reagan Browning, Dallas, TX (US)

* cited by examiner

(73) Assignee: **Chama Chairs Holdings LLC,** Dallas, TX (US)

Primary Examiner — Mimososa De

(74) *Attorney, Agent, or Firm* — Dossey & Jones, PLLC;
Phillip Black; James P. Dossey

(**) Term: **15 Years**

(21) Appl. No.: **29/592,998**

(57) **CLAIM**

(22) Filed: **Feb. 4, 2017**

The ornamental design for a collapsible swivel chair, as shown and described.

(51) **LOC (11) Cl.** **06-01**

(52) **U.S. Cl.**
USPC **D6/368**

(58) **Field of Classification Search**
USPC D6/334-336, 363, 368, 371, 372, 373,
D6/374, 378, 716, 716.1, 716.2, 716.3,
D6/716.4

CPC .. A47C 4/02; A47C 4/021; A47C 4/28; A47C
4/286; A47C 4/30; A47C 4/40; A47C
4/42; A47C 4/48; A47C 5/04; A47C 5/06;
A47C 5/10; A47C 9/10; A47C 9/105

See application file for complete search history.

DESCRIPTION

FIG. 1 is a front perspective view of our design for the collapsible swivel chair;

FIG. 2 is a front-side view thereof;

FIG. 3 is a right-side view thereof, a left-side view (not shown) is a mirror image of this right-side view;

FIG. 4 is a back-side view thereof;

FIG. 5 is a top-side plan view thereof; and,

FIG. 6 is a bottom-side plan view thereof.

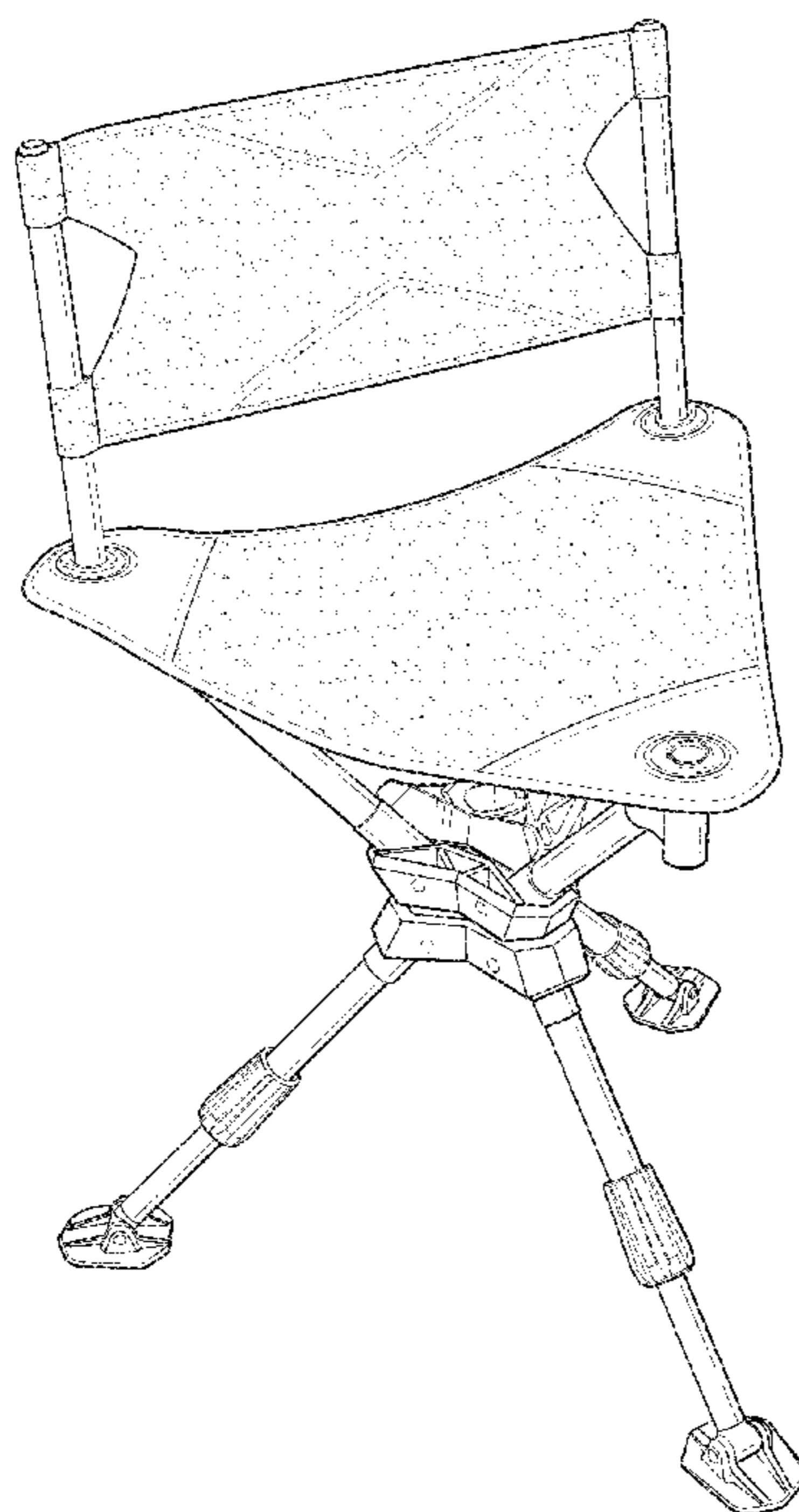
The broken lines presented in the drawings are for illustration only and do not form a part of the claimed design.

(56) **References Cited**

U.S. PATENT DOCUMENTS

1,566,359 A * 12/1925 Witkowski A47C 9/105
108/150
D381,542 S * 7/1997 Gray D6/363

1 Claim, 5 Drawing Sheets



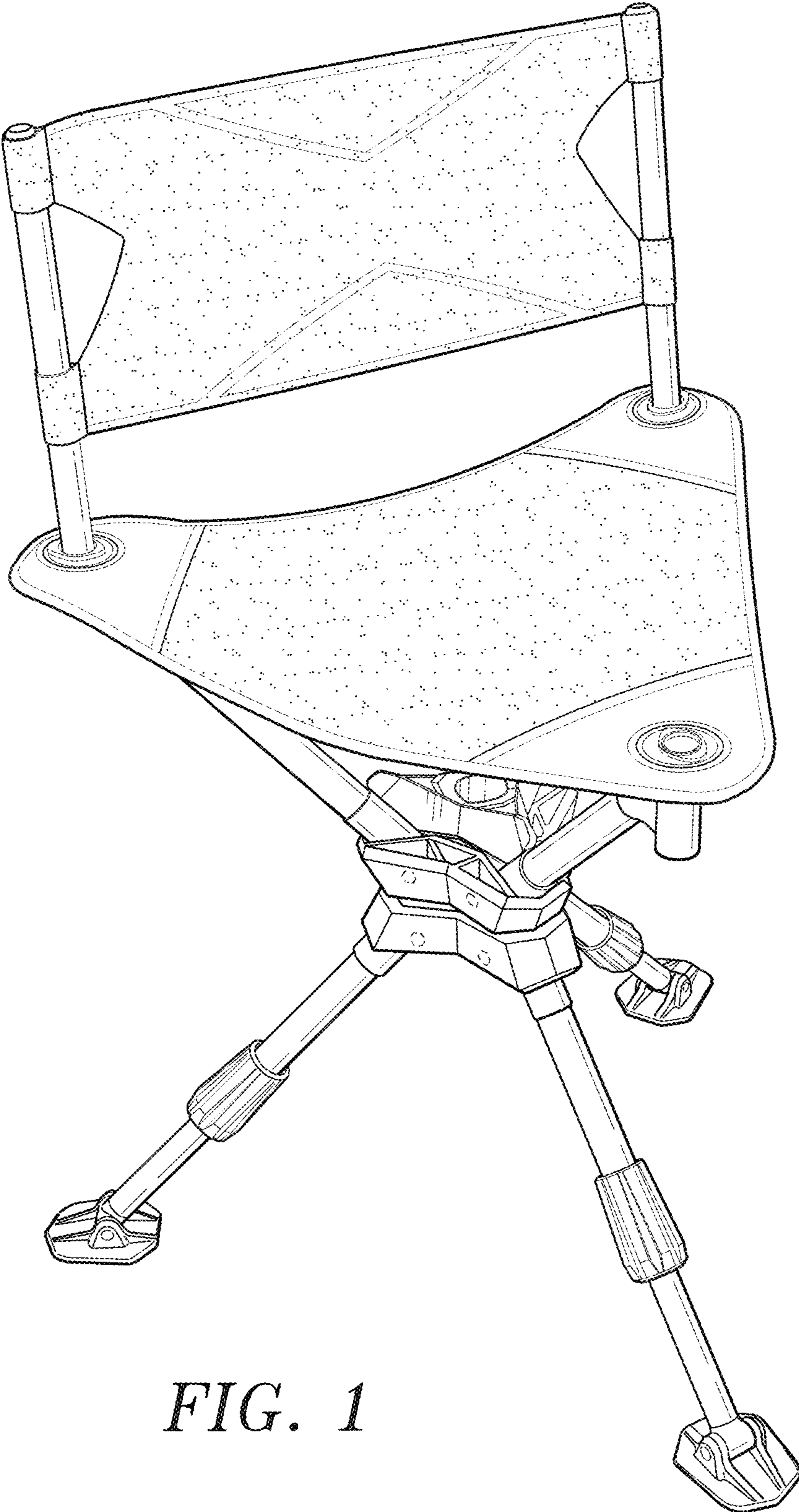


FIG. 1

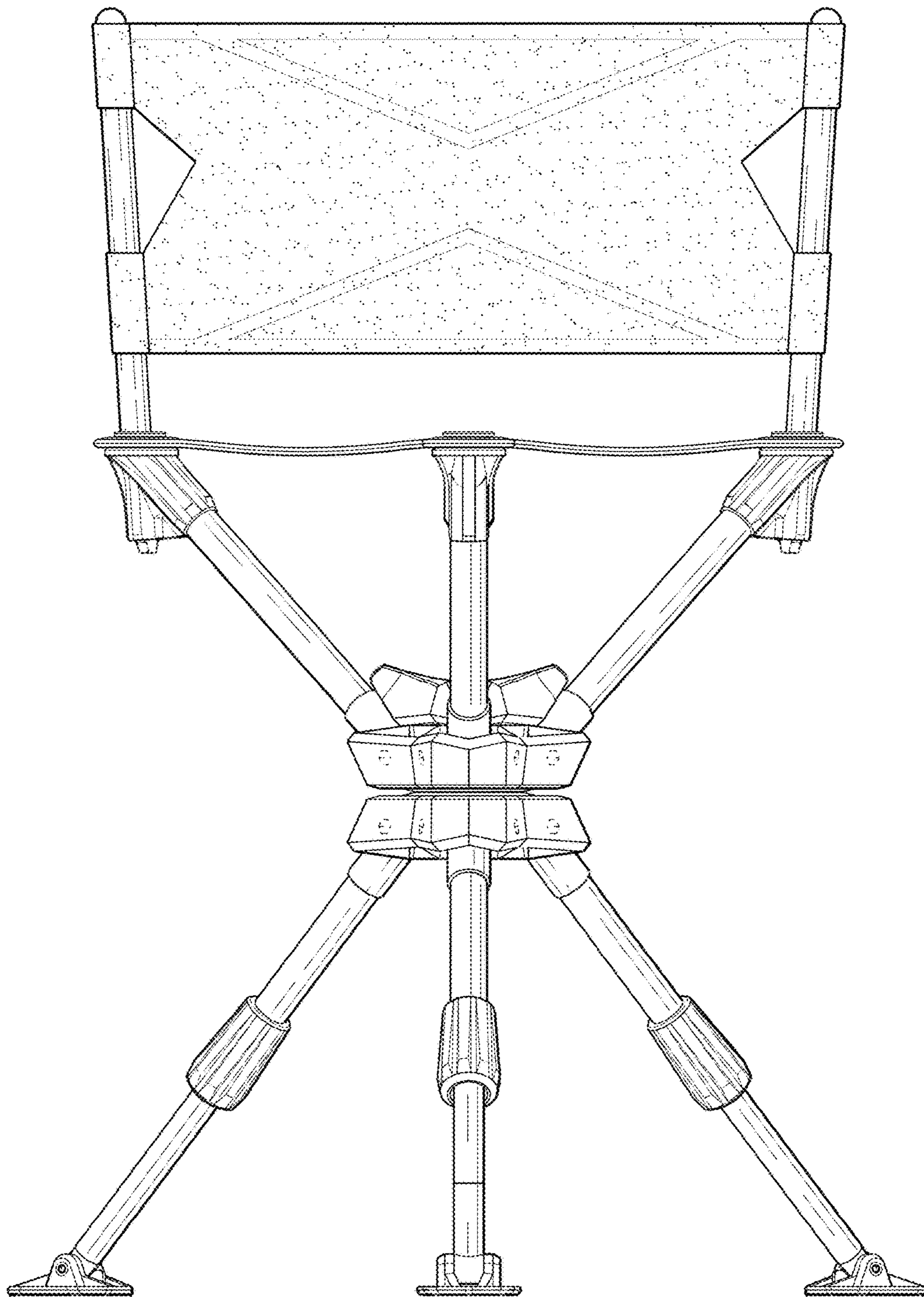


FIG. 2

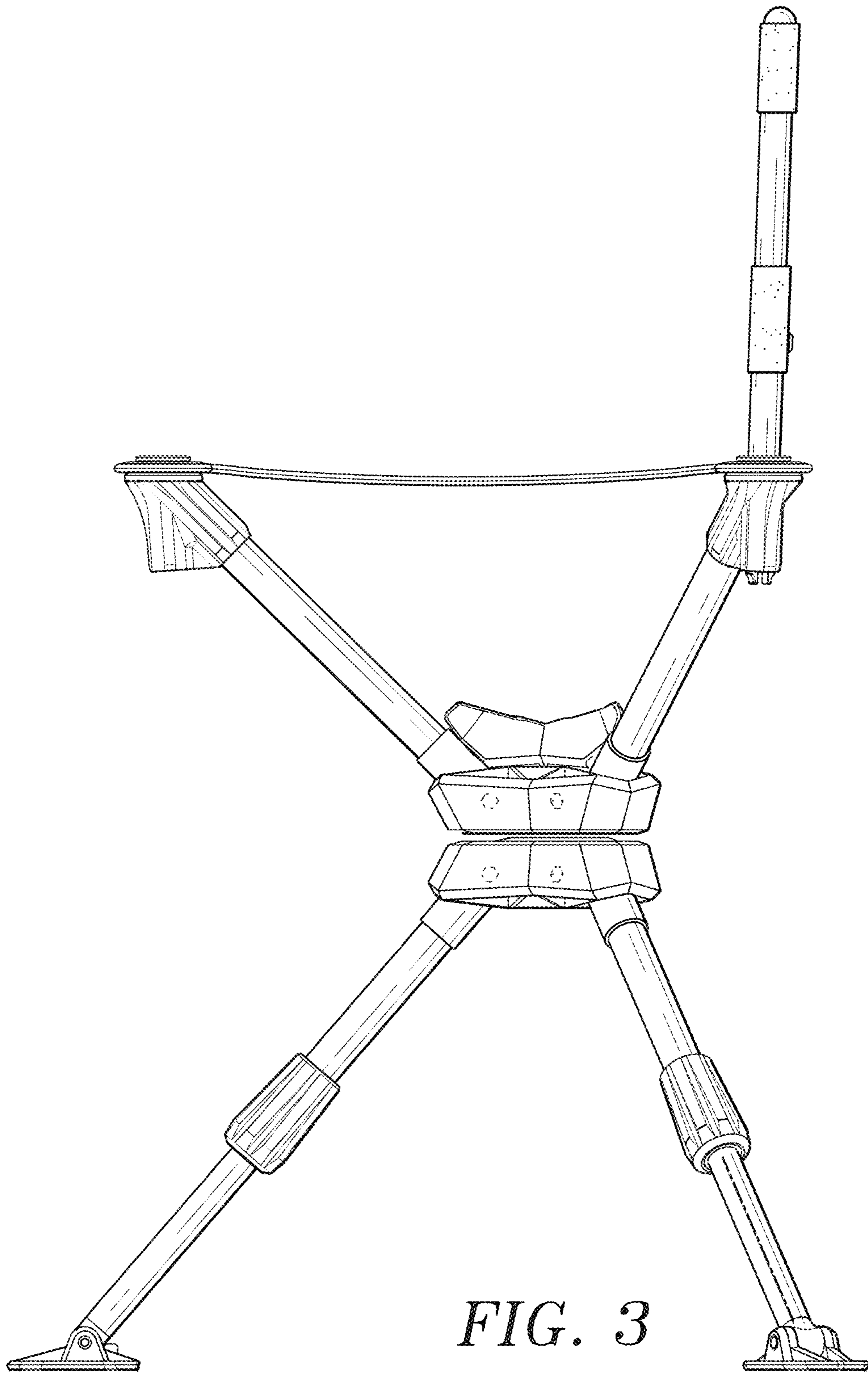


FIG. 3

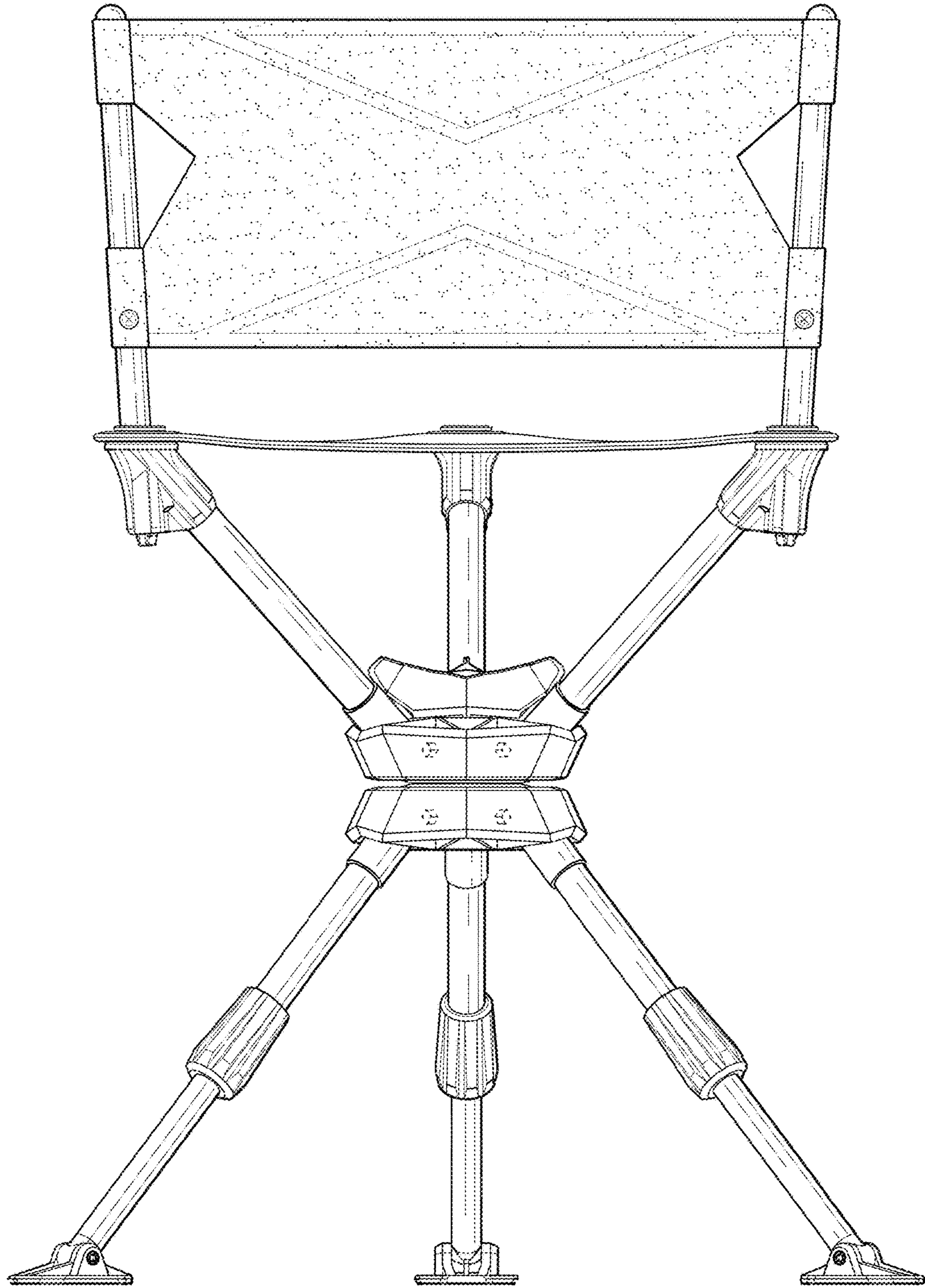


FIG. 4

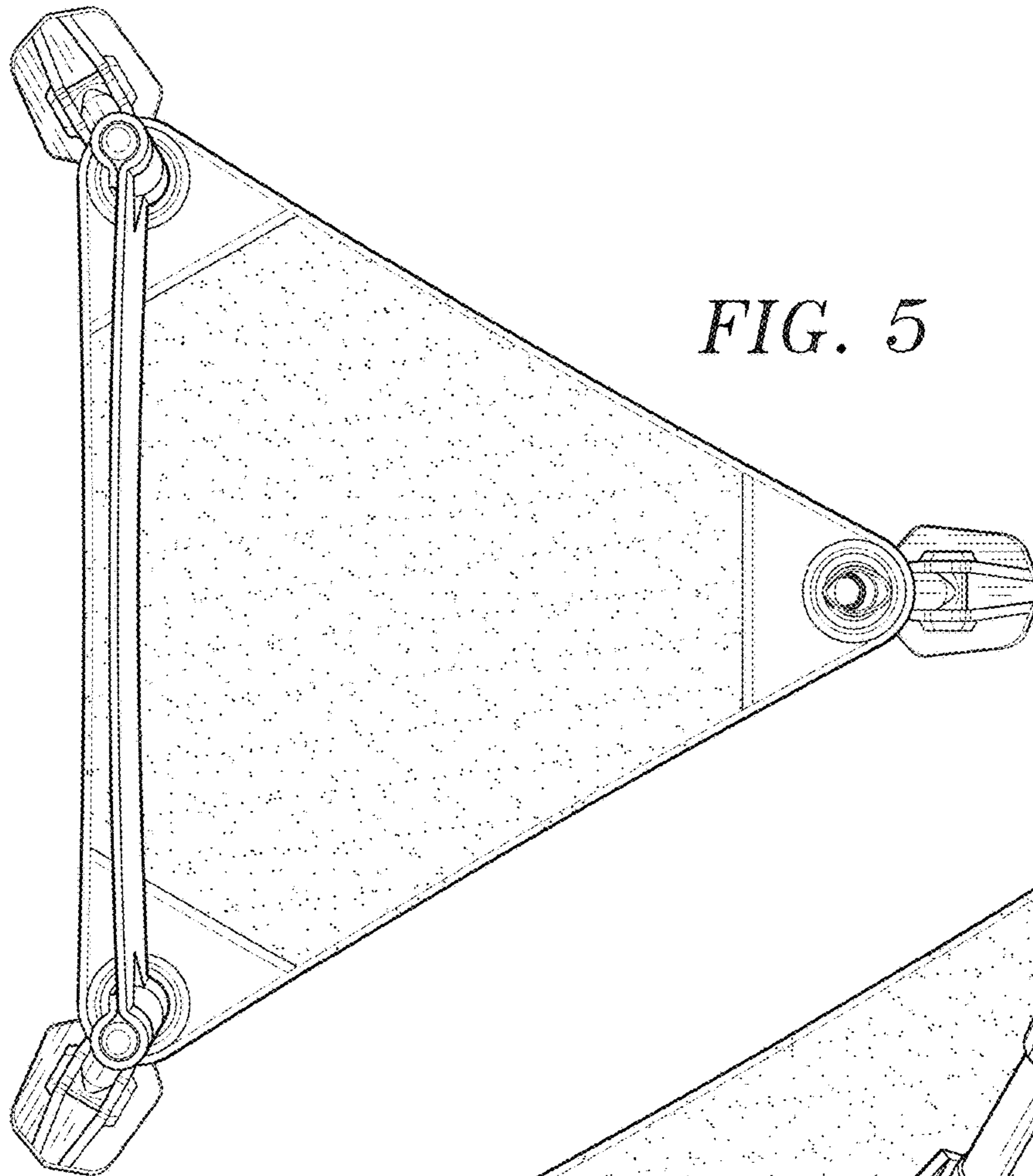


FIG. 5

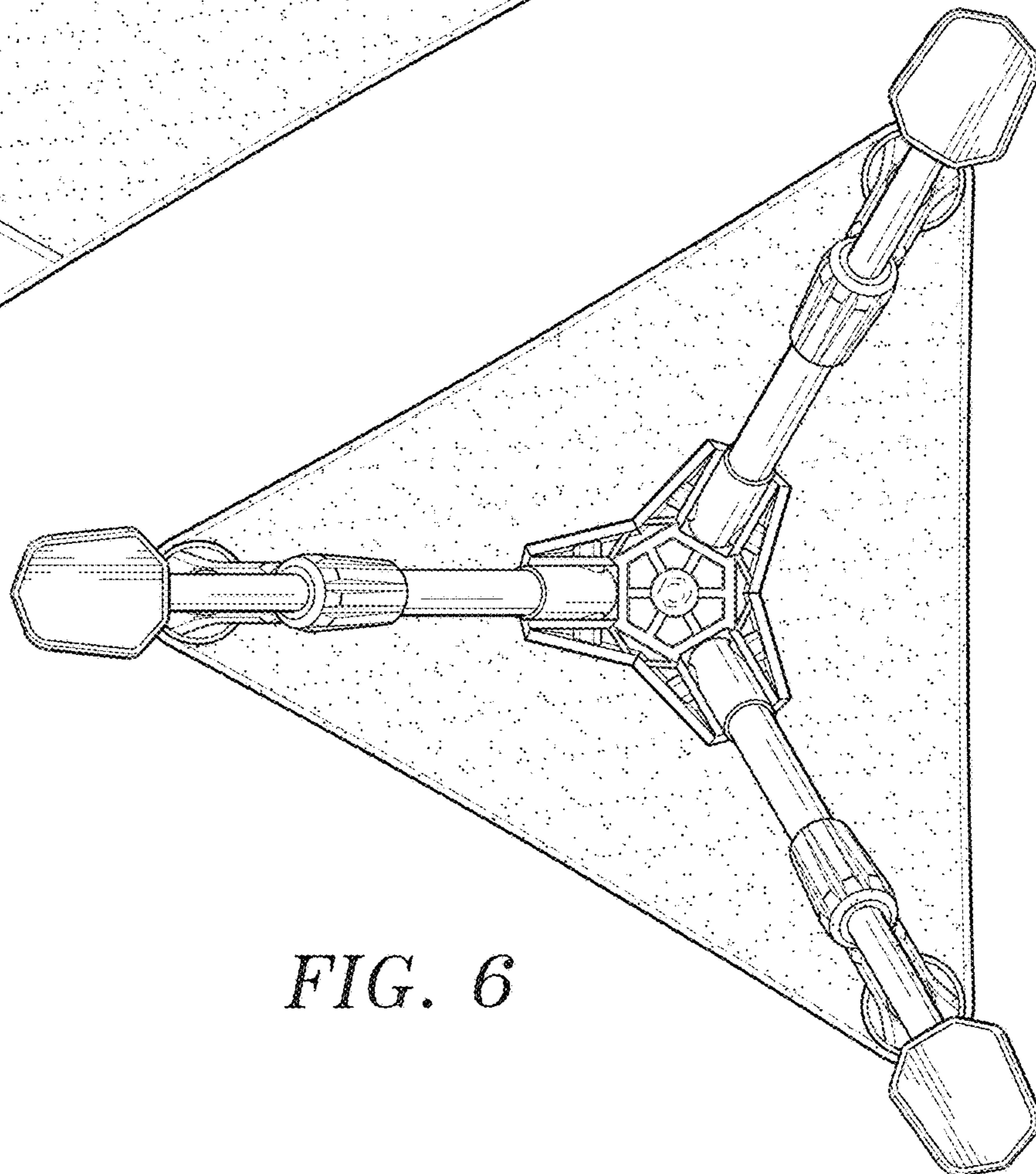


FIG. 6