



US00D825944S

(12) **United States Design Patent**
Vermeulen

(10) **Patent No.:** **US D825,944 S**

(45) **Date of Patent:** **** Aug. 21, 2018**

(54) **LOUNGE CHAIR**

(71) Applicant: **Jardin Netherlands B.V.**, Rijen (NL)

(72) Inventor: **Benjamin Vermeulen**, Roosendaal (NL)

(73) Assignee: **JARDIN NETHERLANDS B.V.**, Rijen (NL)

(**) Term: **15 Years**

(21) Appl. No.: **29/599,420**

(22) Filed: **Apr. 3, 2017**

(51) **LOC (11) Cl.** **06-04**

(52) **U.S. Cl.**
USPC **D6/361**

(58) **Field of Classification Search**
USPC D6/334, 360, 361, 362, 364, 368, 369,
D6/371, 377
CPC A47C 1/026; A47C 1/143; A47C 1/146;
A47C 4/02; A47C 5/10; A47C 5/125;
A47C 15/006; A47C 31/11
See application file for complete search history.

(56) **References Cited**

U.S. PATENT DOCUMENTS

D344,415 S *	2/1994	Gibbs	D6/361
5,556,166 A *	9/1996	Synnestvedt	A47C 1/026 297/377
D518,655 S *	4/2006	Grosfillex	D6/361
D533,727 S *	12/2006	Frinier	D6/361
D565,851 S *	4/2008	Marin	D6/361
D646,067 S *	10/2011	Frinier	D6/361
D650,602 S *	12/2011	Massaud	D6/361
8,123,291 B1 *	2/2012	Hernandez	A47C 7/744 297/180.15
D657,969 S *	4/2012	Nguyen	D6/361
D707,049 S *	6/2014	Asner	D6/361
D707,458 S *	6/2014	Doyle	D6/361

* cited by examiner

Primary Examiner — Kevin Keith Rudzinski

Assistant Examiner — Paul D Bohannon

(74) *Attorney, Agent, or Firm* — Vorys, Sater, Seymour & Pease LLP; Ari Zytcer

(57) **CLAIM**

The ornamental design for a lounge chair, as shown and described.

DESCRIPTION

FIG. 1 is a front perspective view of a design for a lounge chair, at an extended position;
 FIG. 2 is a rear perspective view of the design as seen in FIG. 1, at an extended position;
 FIG. 3 is a front view of the design as seen in FIG. 1, at an extended position;
 FIG. 4 is a rear view of the design as seen in FIG. 1, at an extended position;
 FIG. 5 is a right side view of the design as seen in FIG. 1, at an extended position, left side view being identical;
 FIG. 6 is a top view of the design as seen in FIG. 1, at an extended position;
 FIG. 7 is a bottom view of the design as seen in FIG. 1, at an extended position;
 FIG. 8 is a front perspective view of the lounge chair in FIG. 1, shown in a folded position;
 FIG. 9 is a rear perspective view of the design as seen in FIG. 1, at a folded position;
 FIG. 10 is a front view of the design as seen in FIG. 1, at a folded position;
 FIG. 11 is a rear view of the design as seen in FIG. 1, at a folded position;
 FIG. 12 is a left side view of the design as seen in FIG. 1, at a folded position, right side view being a mirror image;
 FIG. 13 is a top view of the design as seen in FIG. 1, at a folded position; and,
 FIG. 14 is a bottom view of the design as seen in FIG. 1, at a folded position.

1 Claim, 14 Drawing Sheets

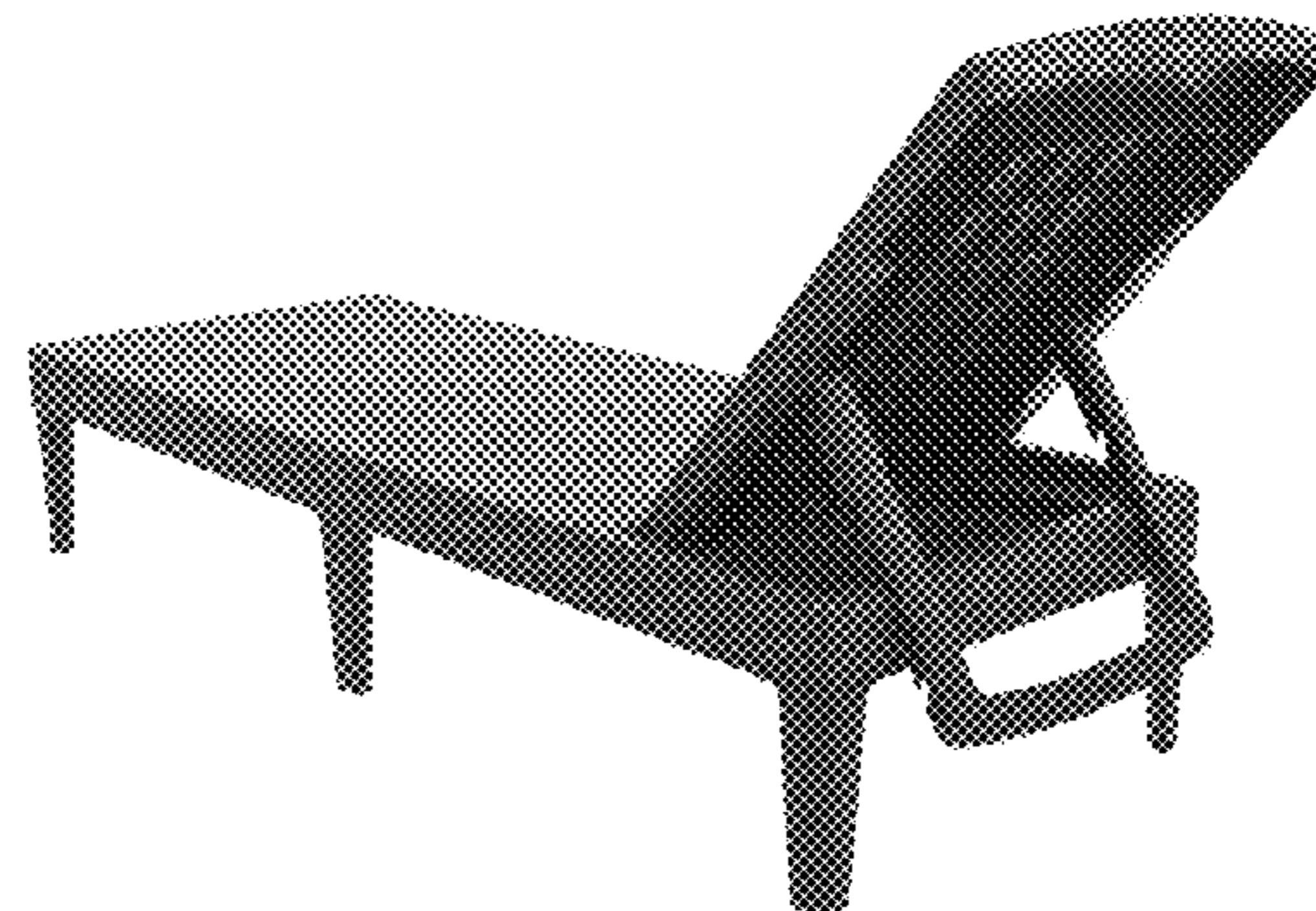
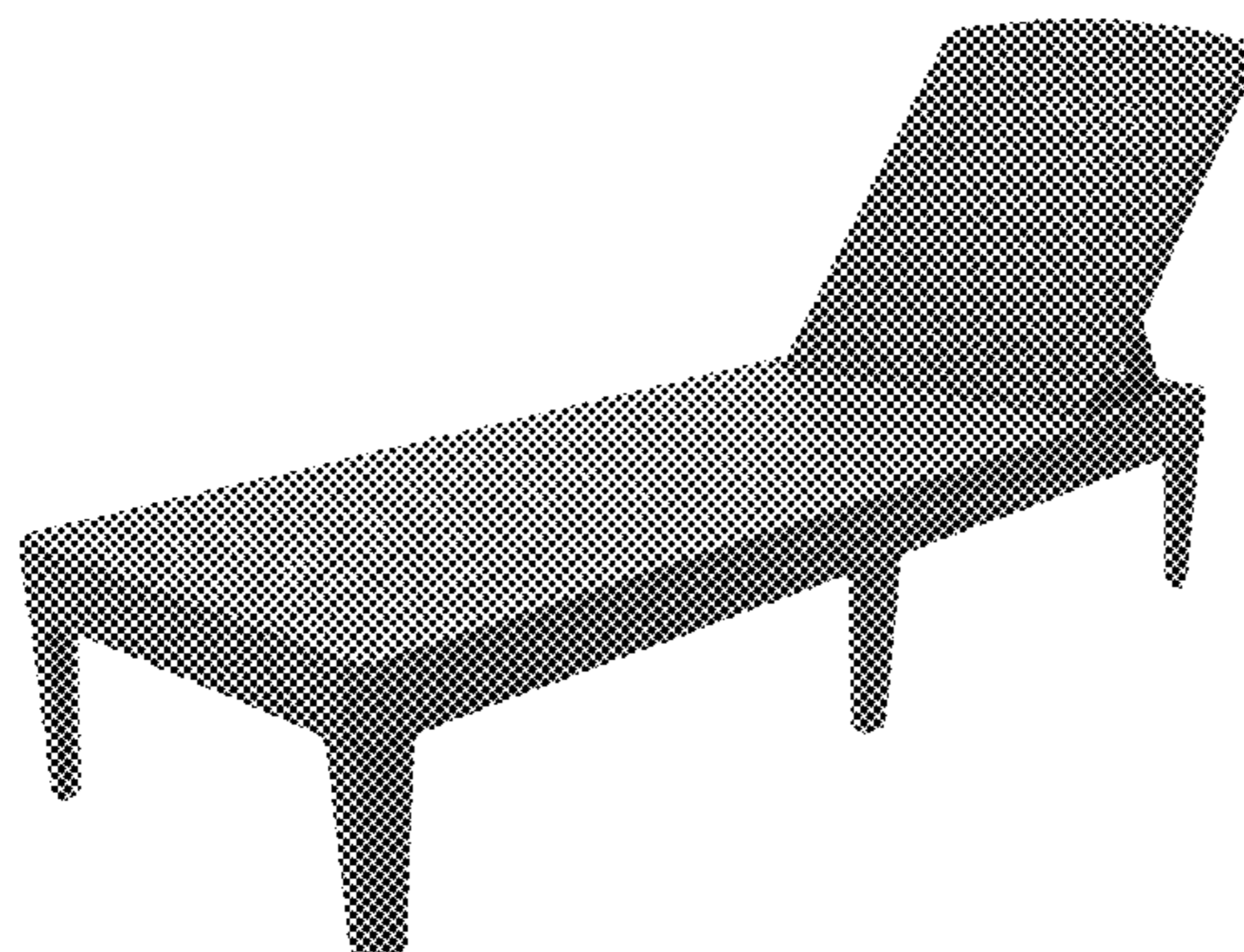




FIG. 1



FIG. 2



FIG. 3

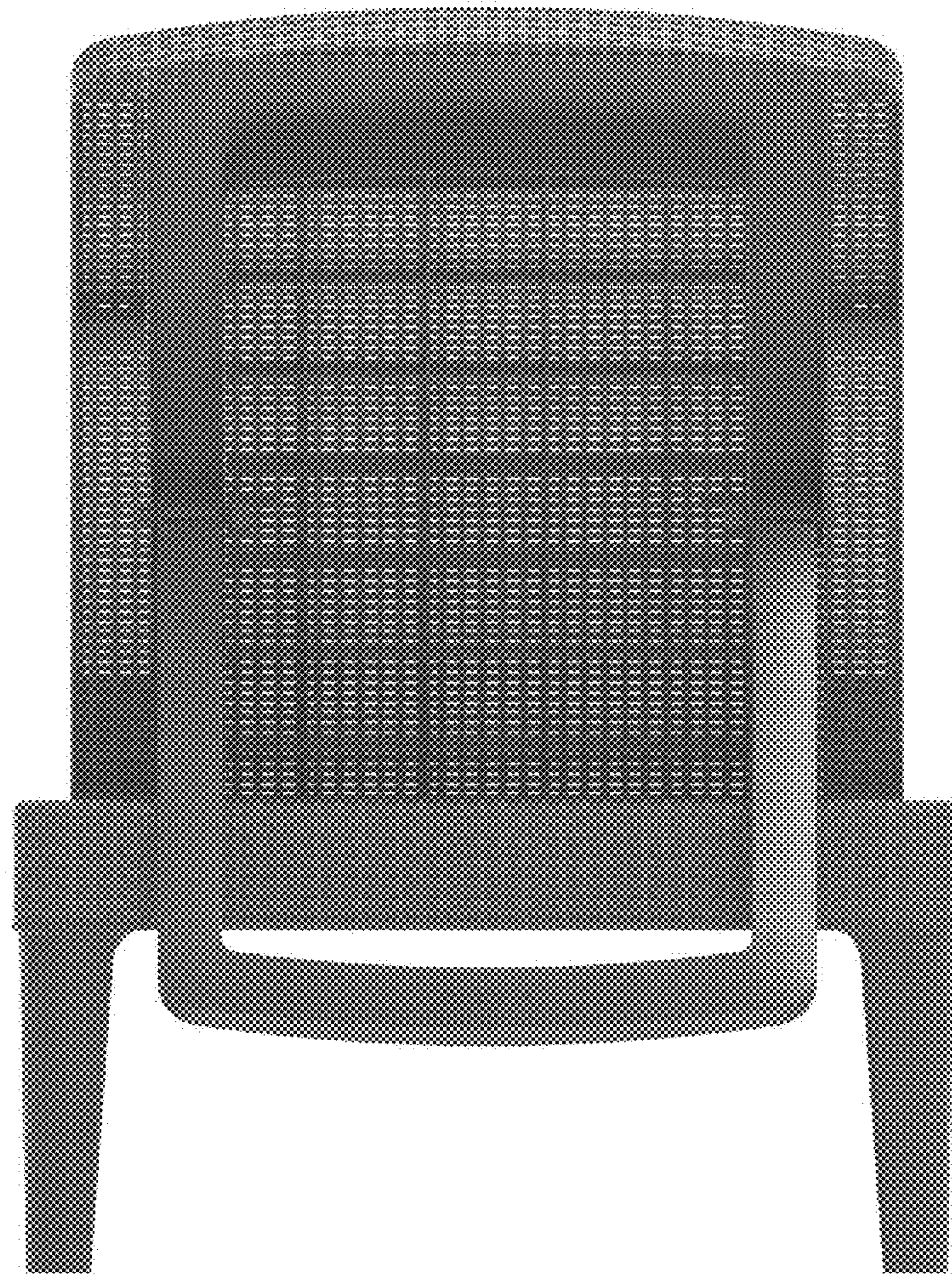


FIG. 4

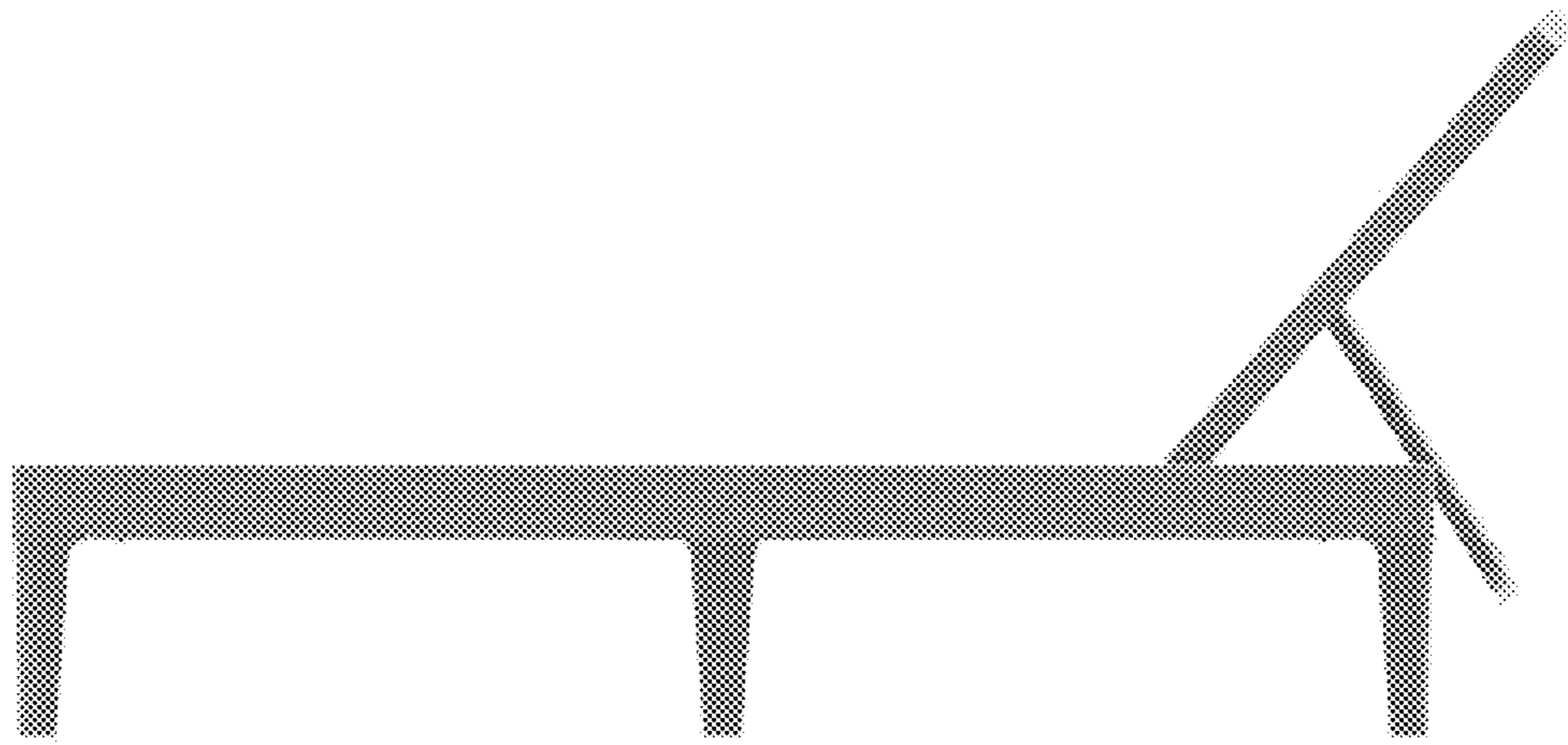


FIG. 5

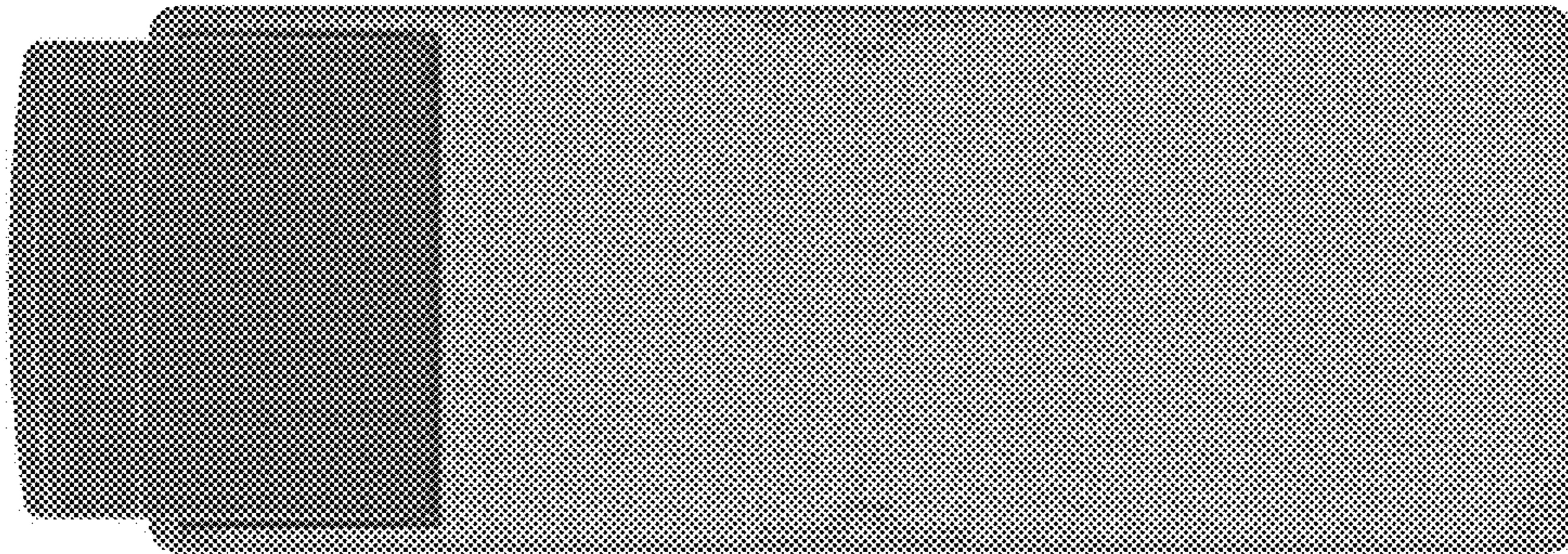


FIG. 6

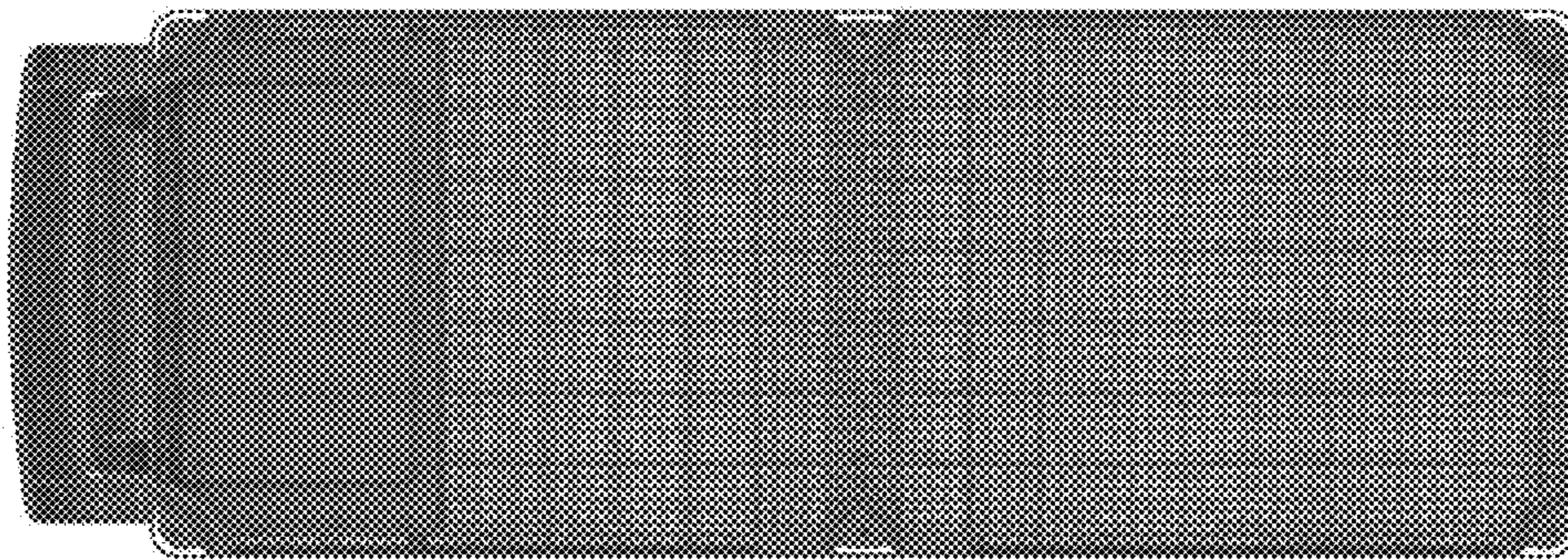


FIG. 7

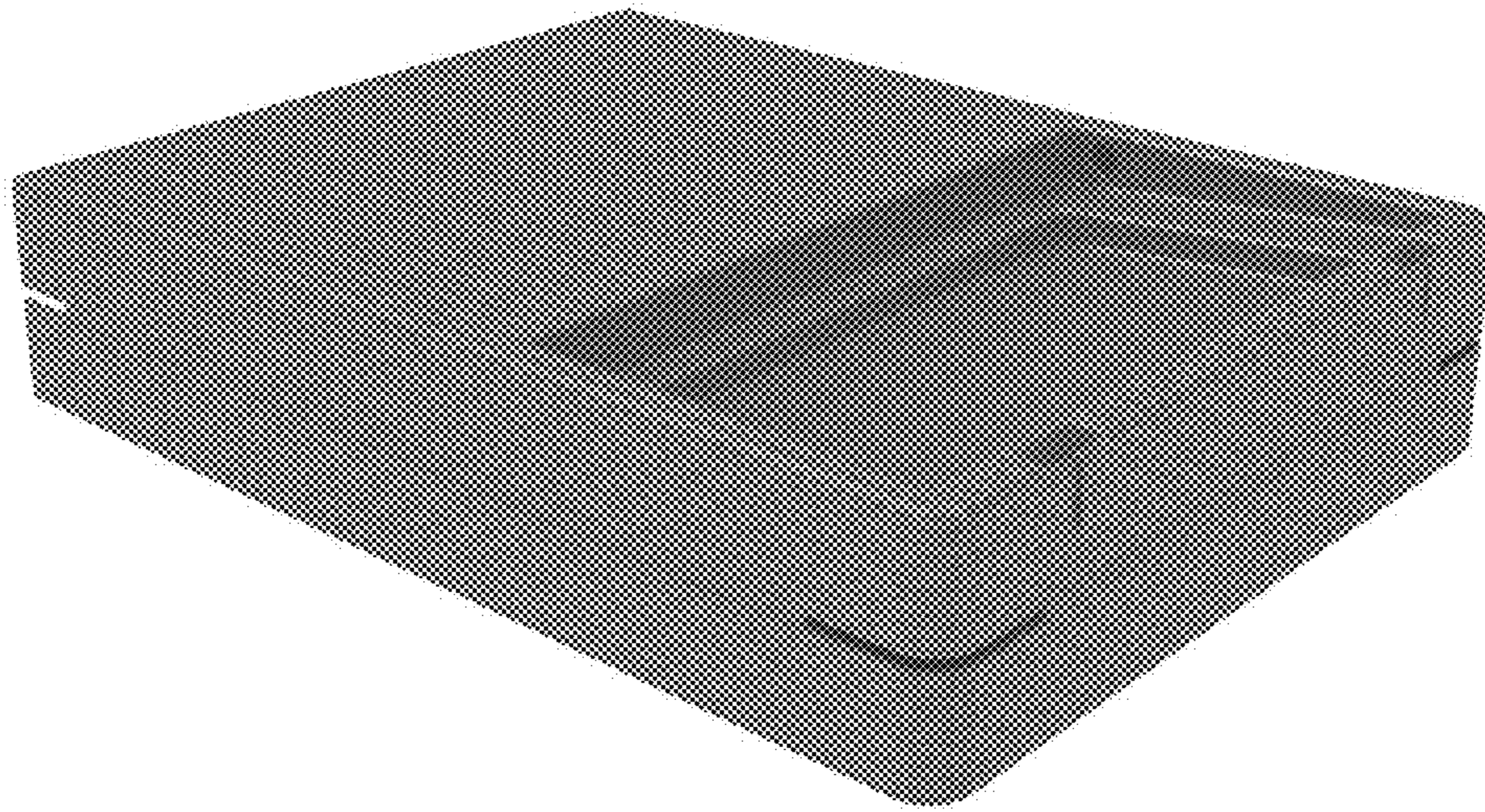


FIG. 8

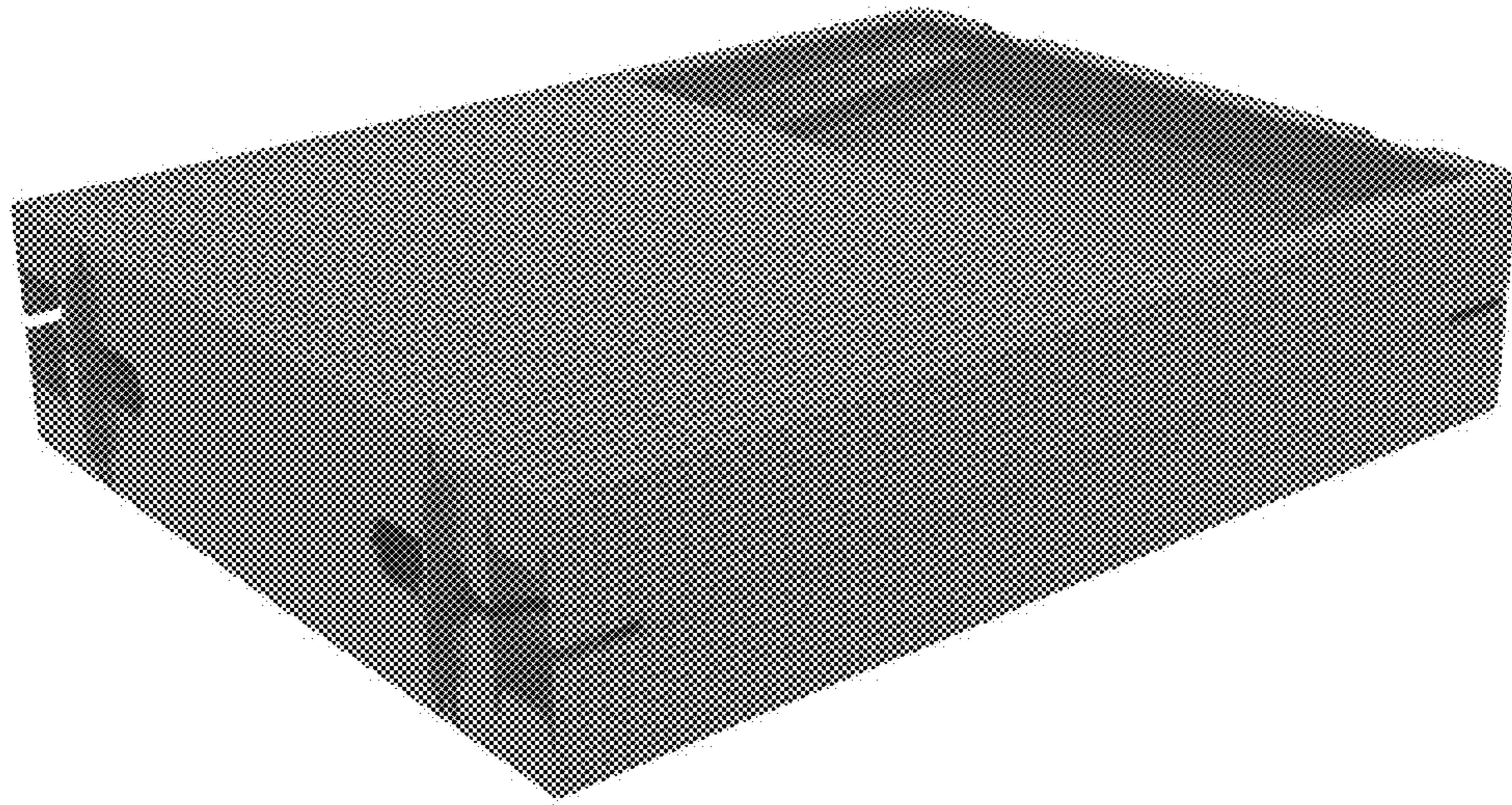


FIG. 9

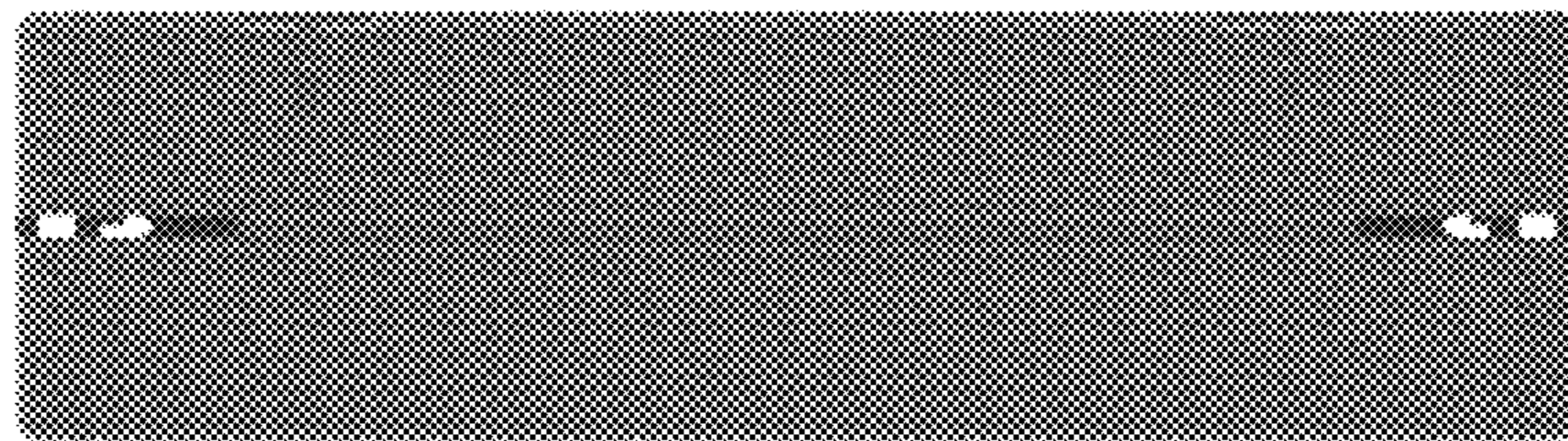


FIG. 10

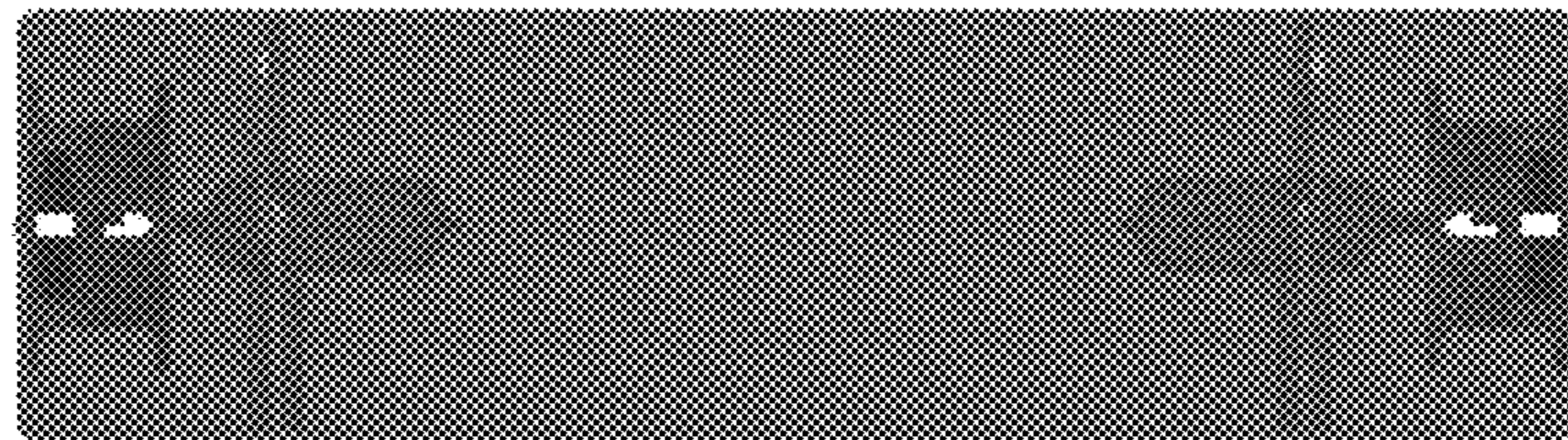


FIG. 11

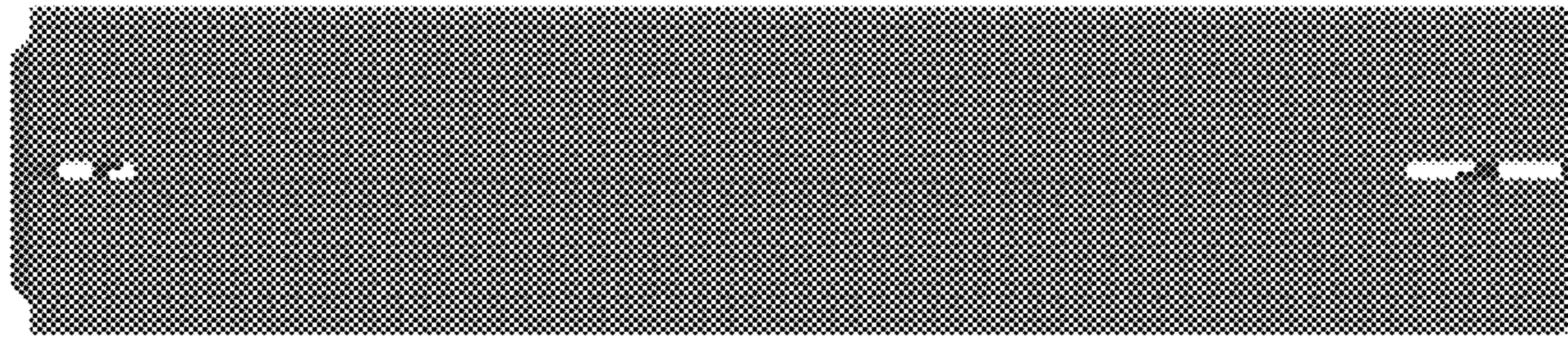


FIG. 12

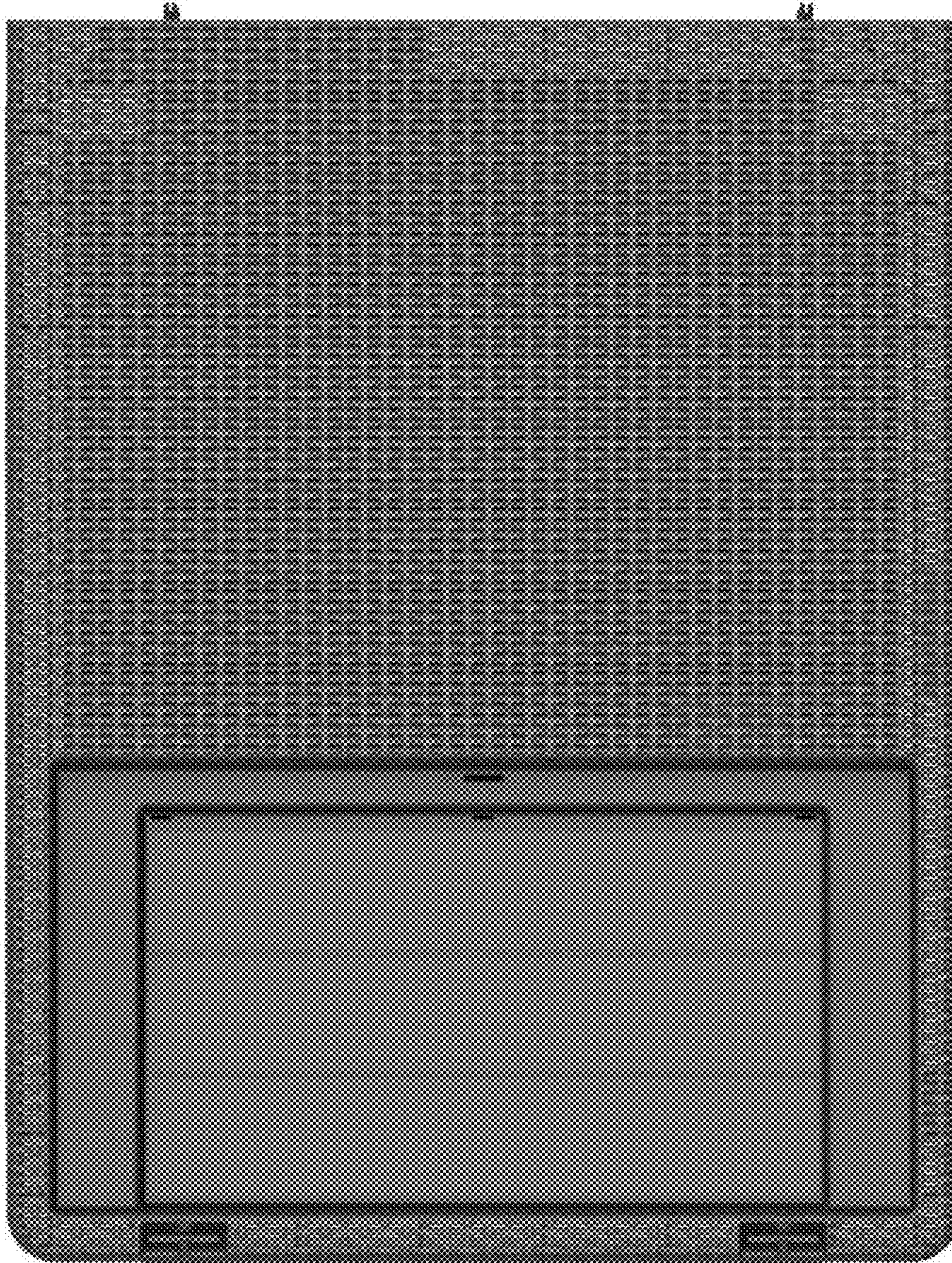


FIG. 13

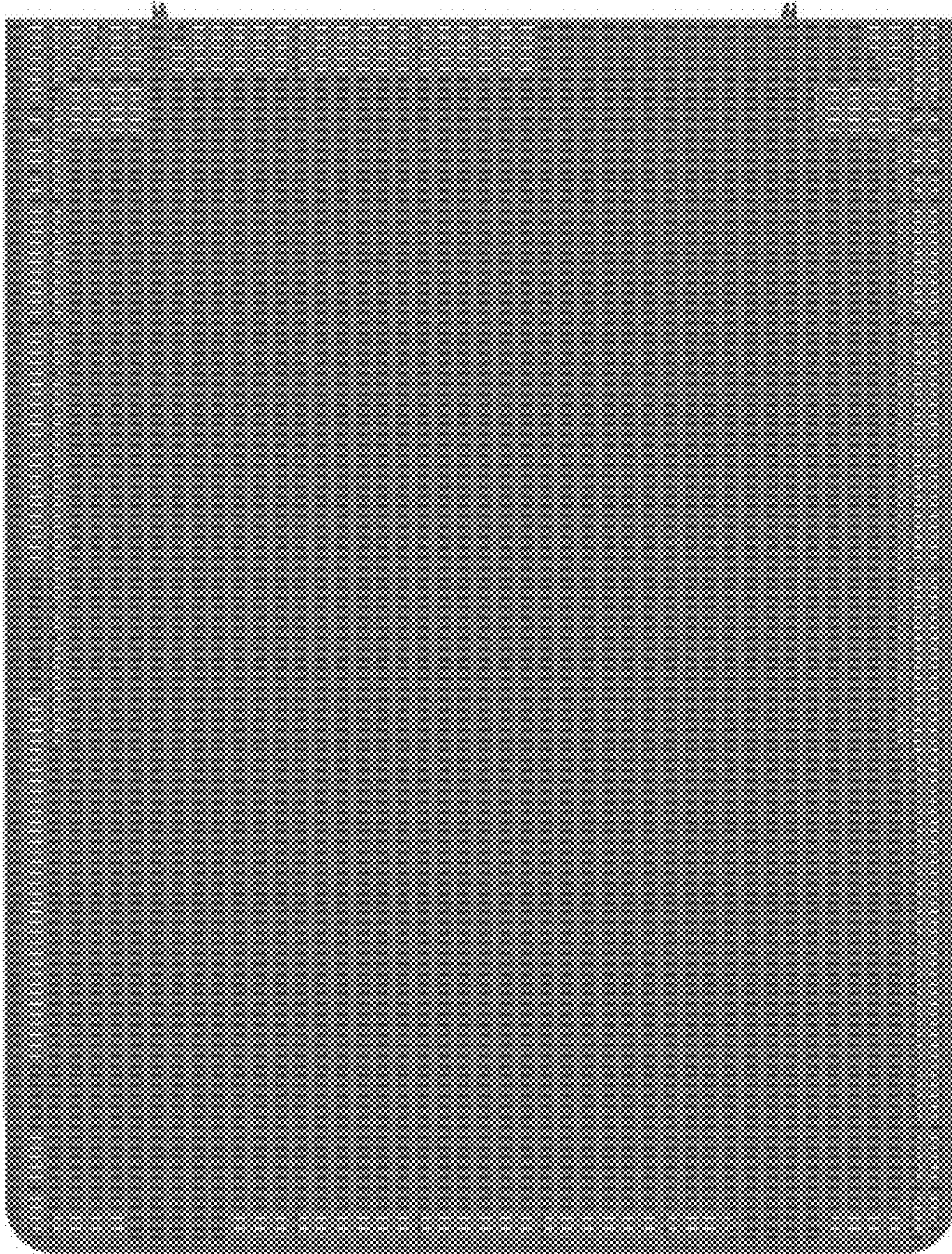


FIG. 14