



US00D825943S

(12) **United States Design Patent** (10) **Patent No.:** **US D825,943 S**  
**Boonen** (45) **Date of Patent:** **\*\* Aug. 21, 2018**

(54) **BAR STOOL**  
(71) Applicant: **Flexfurn, N.V.**, Tessenderlo (BE)  
(72) Inventor: **Frederic Boonen**, Sint-Truiden (BE)  
(73) Assignee: **Flexfurn, N.V.**, Tessenderlo (BE)  
(\*\*) Term: **15 Years**  
(21) Appl. No.: **29/595,769**  
(22) Filed: **Mar. 2, 2017**  
(51) **LOC (11) Cl.** ..... **06-01**  
(52) **U.S. Cl.**  
USPC ..... **D6/360**  
(58) **Field of Classification Search**  
USPC ..... D6/334-381, 716, 716.1-716.8  
CPC .... A47C 3/00; A47C 5/00; A47C 5/06; A47C  
5/12; A47C 7/00; A47C 7/16; A47C 7/54  
See application file for complete search history.

D648,143 S \* 11/2011 Lambert ..... D6/334  
D648,558 S \* 11/2011 Lievore ..... D6/372  
D670,926 S \* 11/2012 Ukmar ..... D6/349  
D704,942 S \* 5/2014 Morrison ..... D6/349  
D728,953 S \* 5/2015 Lievore ..... D6/360  
D728,957 S \* 5/2015 Lievore ..... D6/373  
D729,532 S \* 5/2015 Lievore ..... D6/360  
D731,222 S \* 6/2015 Bosman ..... D6/716  
D734,082 S \* 7/2015 Bosman ..... D6/716  
D746,074 S \* 12/2015 Chipman ..... D6/360  
D800,467 S \* 10/2017 Galiotto ..... D6/360  
D811,790 S \* 3/2018 Chavarria ..... D6/708.16  
D814,814 S \* 4/2018 Spoelhof ..... D6/349  
D819,380 S \* 6/2018 Chavarria ..... D6/716

\* cited by examiner

*Primary Examiner* — Deanna L Pratt  
(74) *Attorney, Agent, or Firm* — Kirschstein, Israel,  
Schiffmiller & Pieroni, P.C.

(57) **CLAIM**

The ornamental design for a bar stool, as shown.

(56) **References Cited**

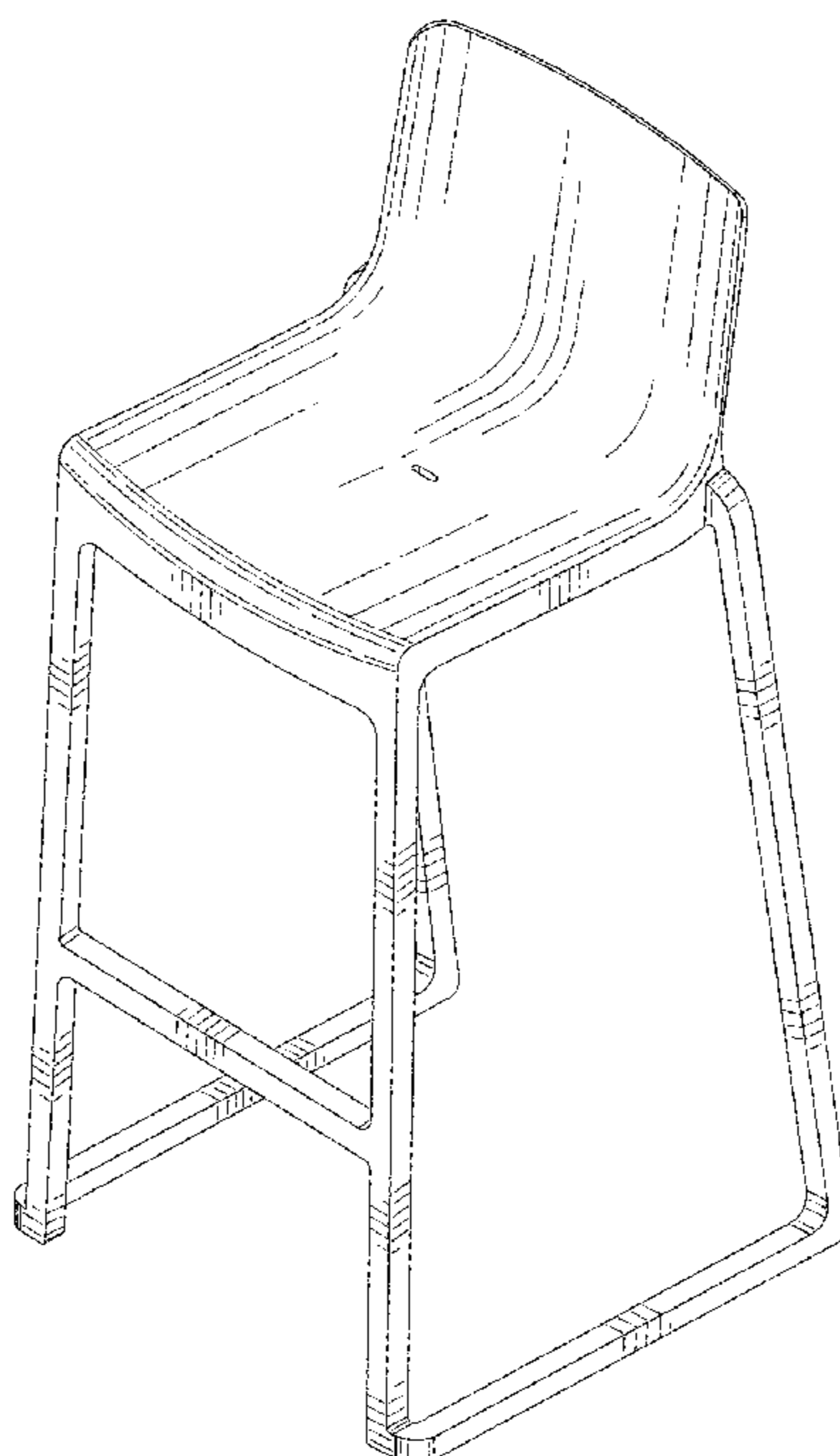
U.S. PATENT DOCUMENTS

D246,813 S \* 1/1978 Tolleson ..... D6/373  
D357,592 S \* 4/1995 Kellen ..... D6/360  
D422,158 S \* 4/2000 Newhouse ..... D6/334  
D448,942 S \* 10/2001 Mourgue ..... D6/334  
D468,918 S \* 1/2003 de Blois ..... D6/360  
D475,539 S \* 6/2003 Savini ..... D6/334  
D511,416 S \* 11/2005 Obbitts ..... D34/23  
D553,872 S \* 10/2007 Martin ..... D6/355  
D576,417 S \* 9/2008 Dietrich ..... D6/372  
D592,873 S \* 5/2009 Olano Jauregui ..... D6/373  
D609,926 S \* 2/2010 Diez ..... D6/334

**DESCRIPTION**

FIG. 1 is a front perspective view of a bar stool according to my new design.  
FIG. 2 is a rear perspective view thereof.  
FIG. 3 is a left side elevational view thereof.  
FIG. 4 is a right side elevational view thereof.  
FIG. 5 is a top plan view thereof.  
FIG. 6 is a bottom plan view thereof.  
FIG. 7 is a front elevational view thereof; and,  
FIG. 8 is a rear elevational view thereof.

**1 Claim, 7 Drawing Sheets**



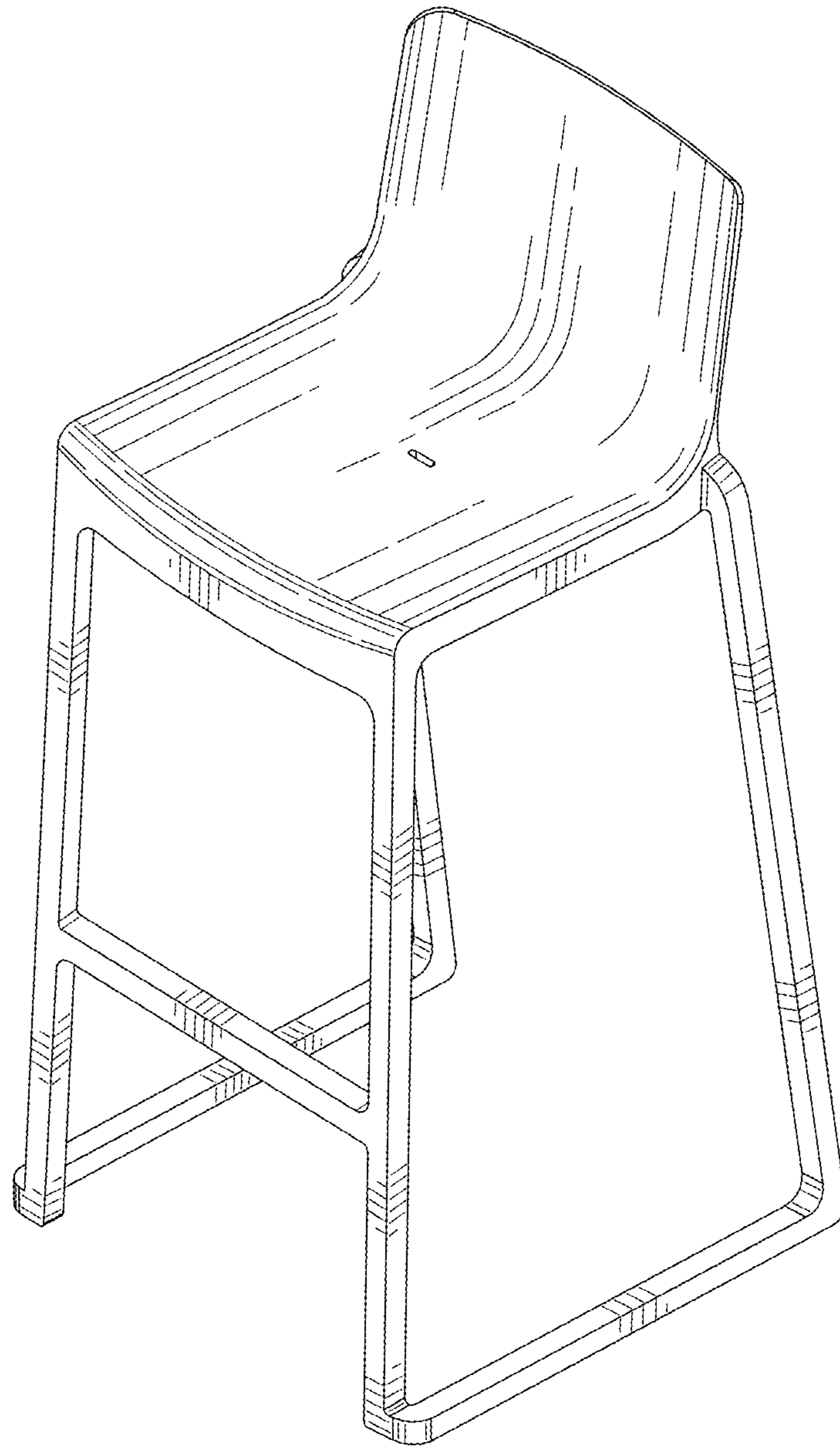


FIG. 1

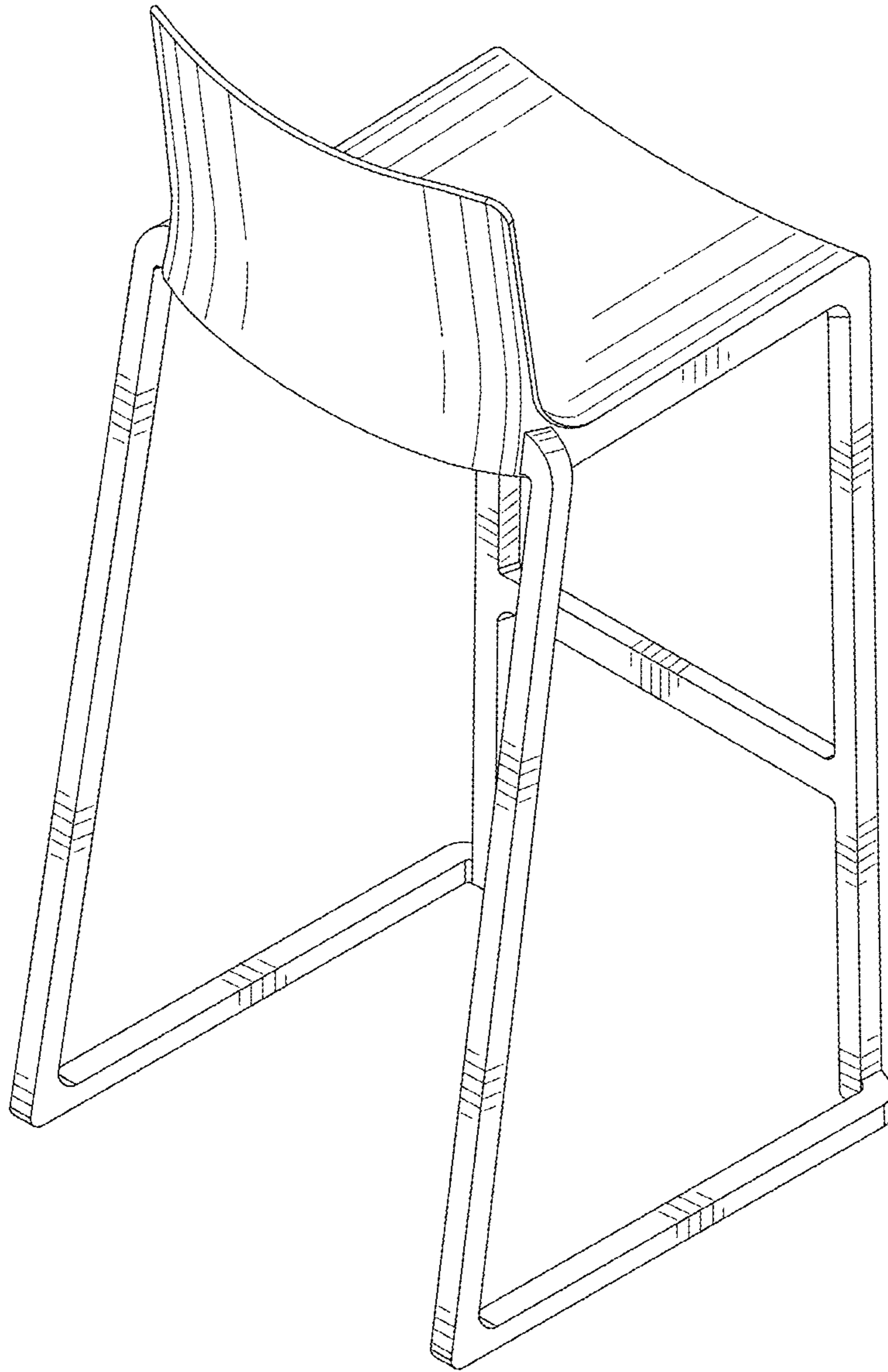


FIG. 2

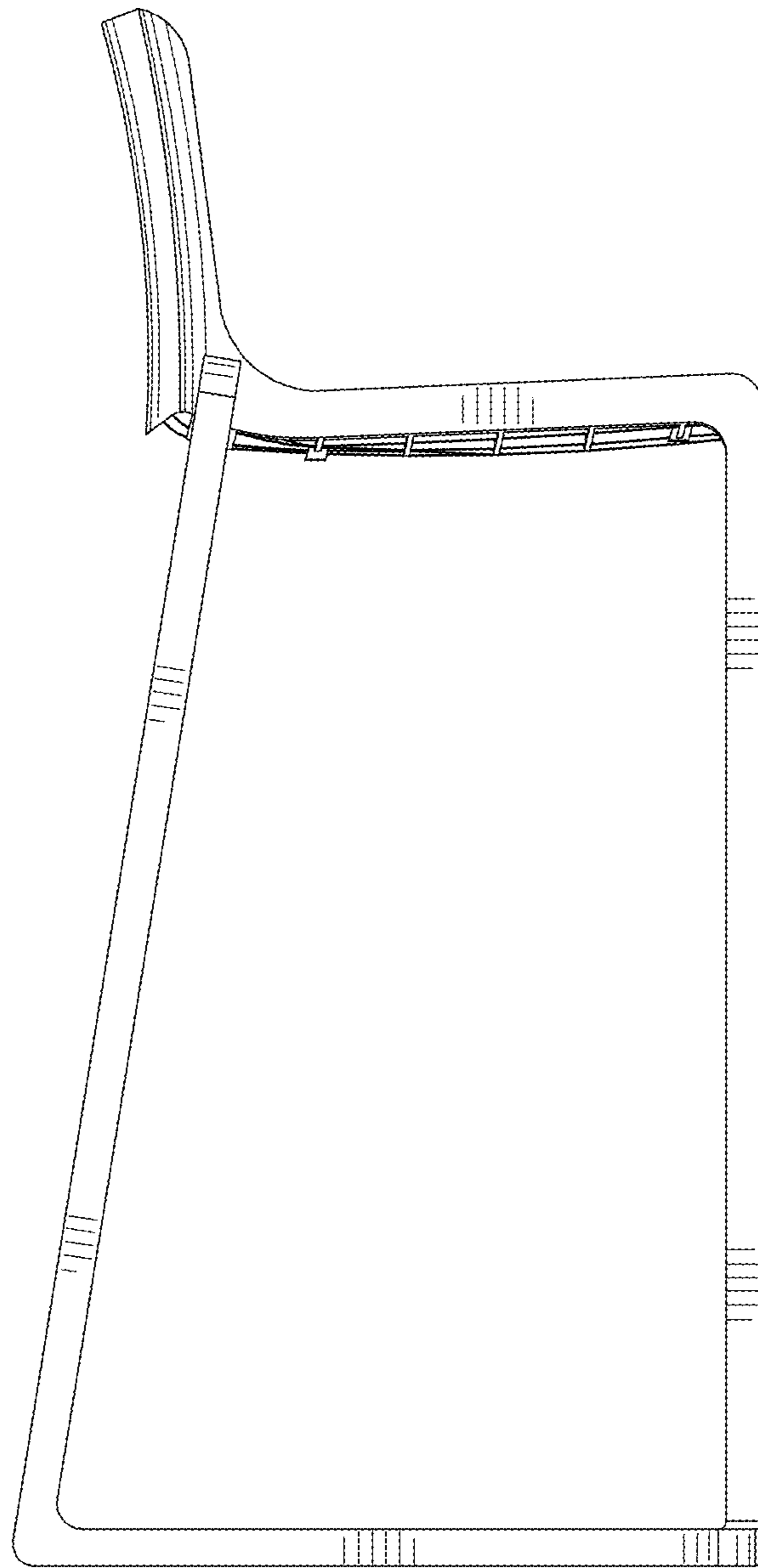


FIG. 3

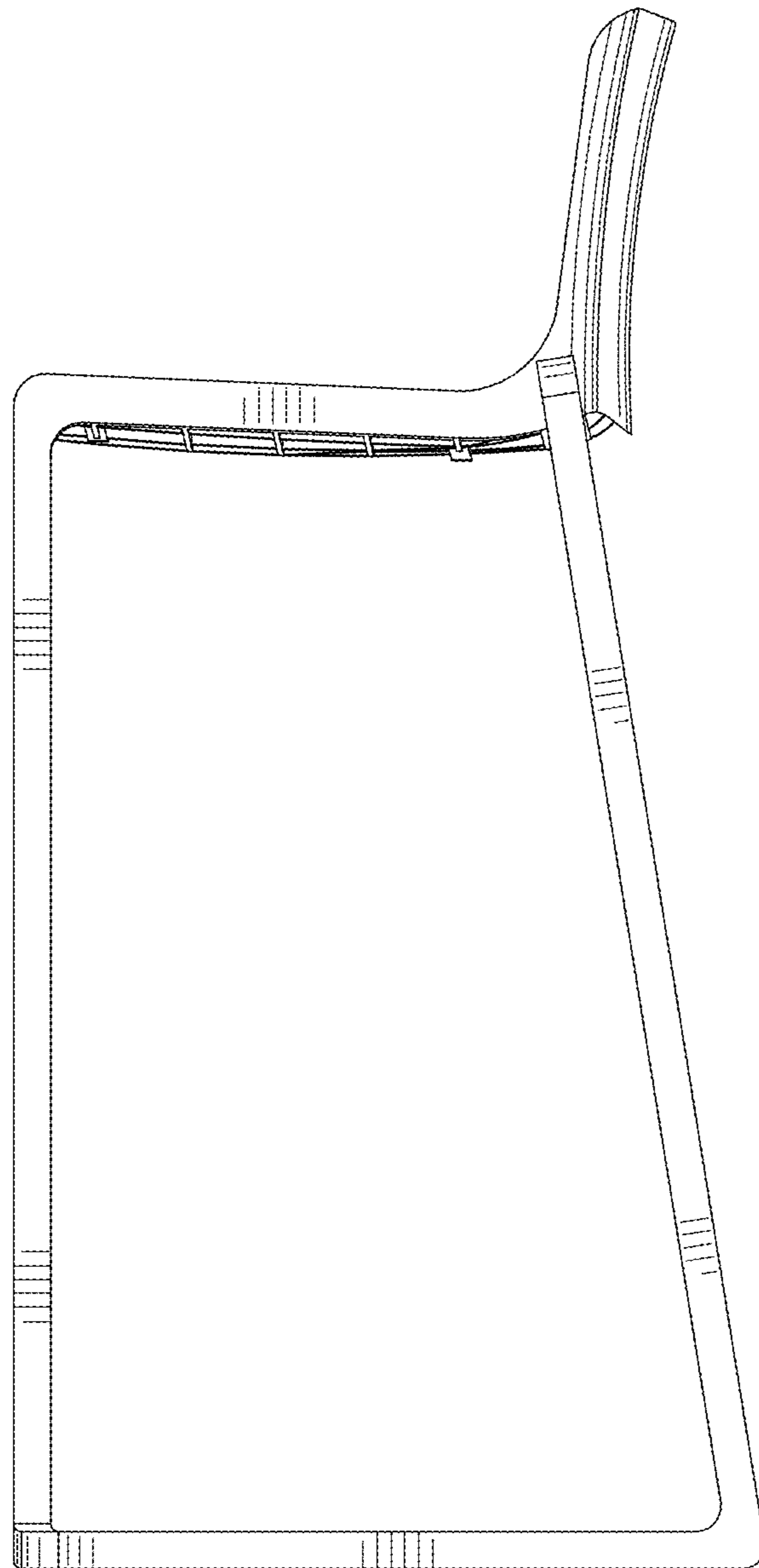


FIG. 4

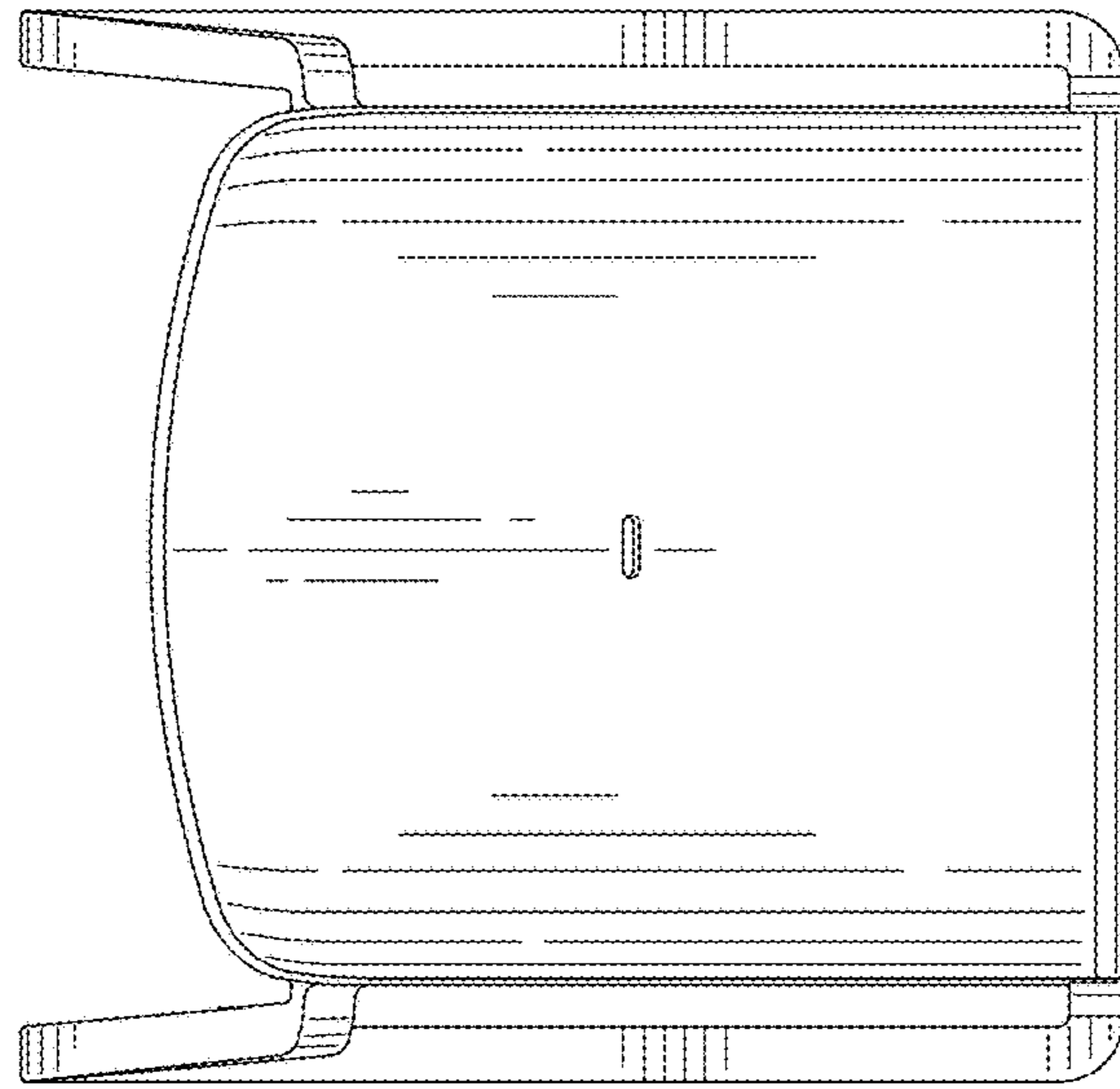


FIG. 5

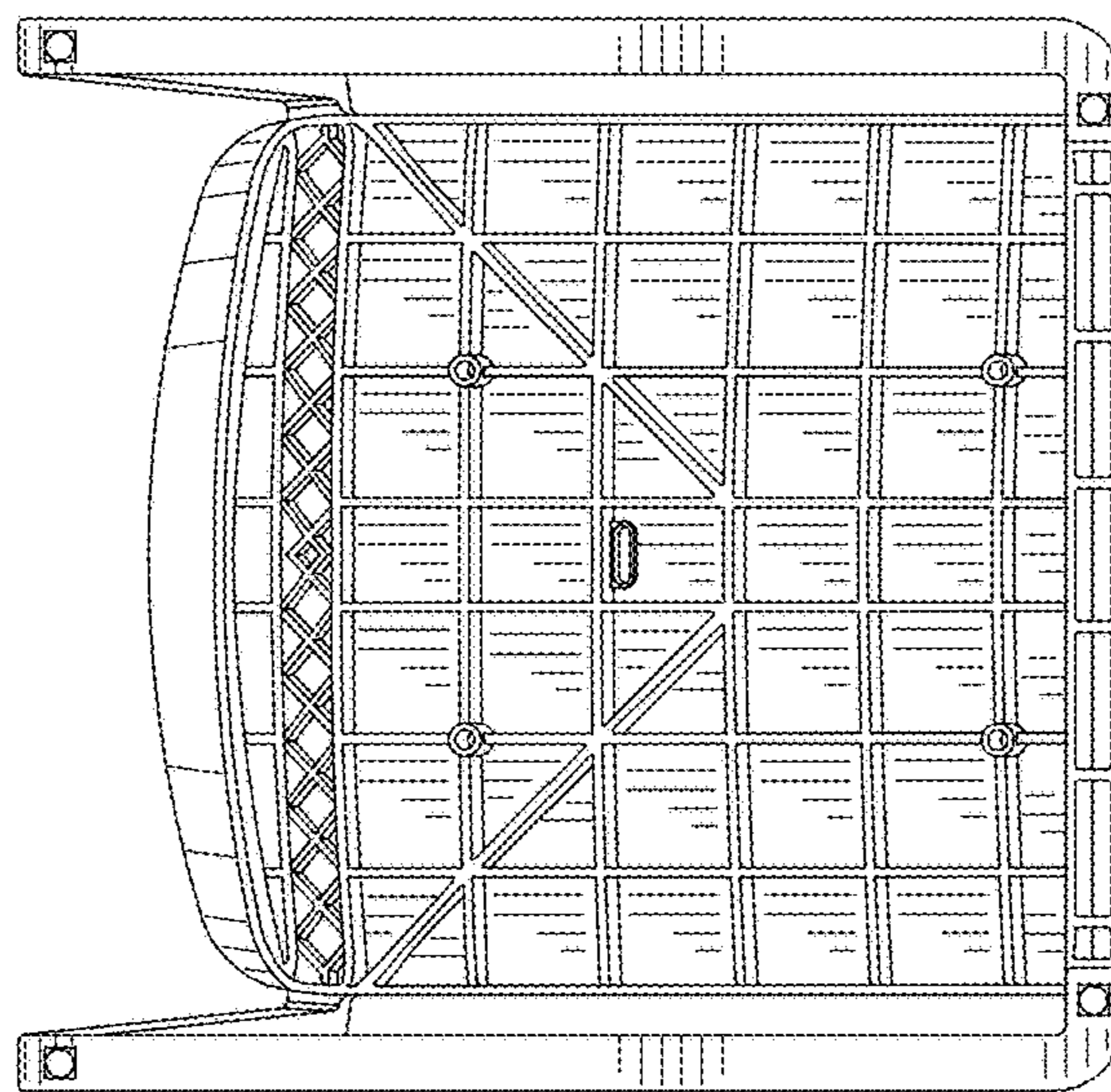


FIG. 6

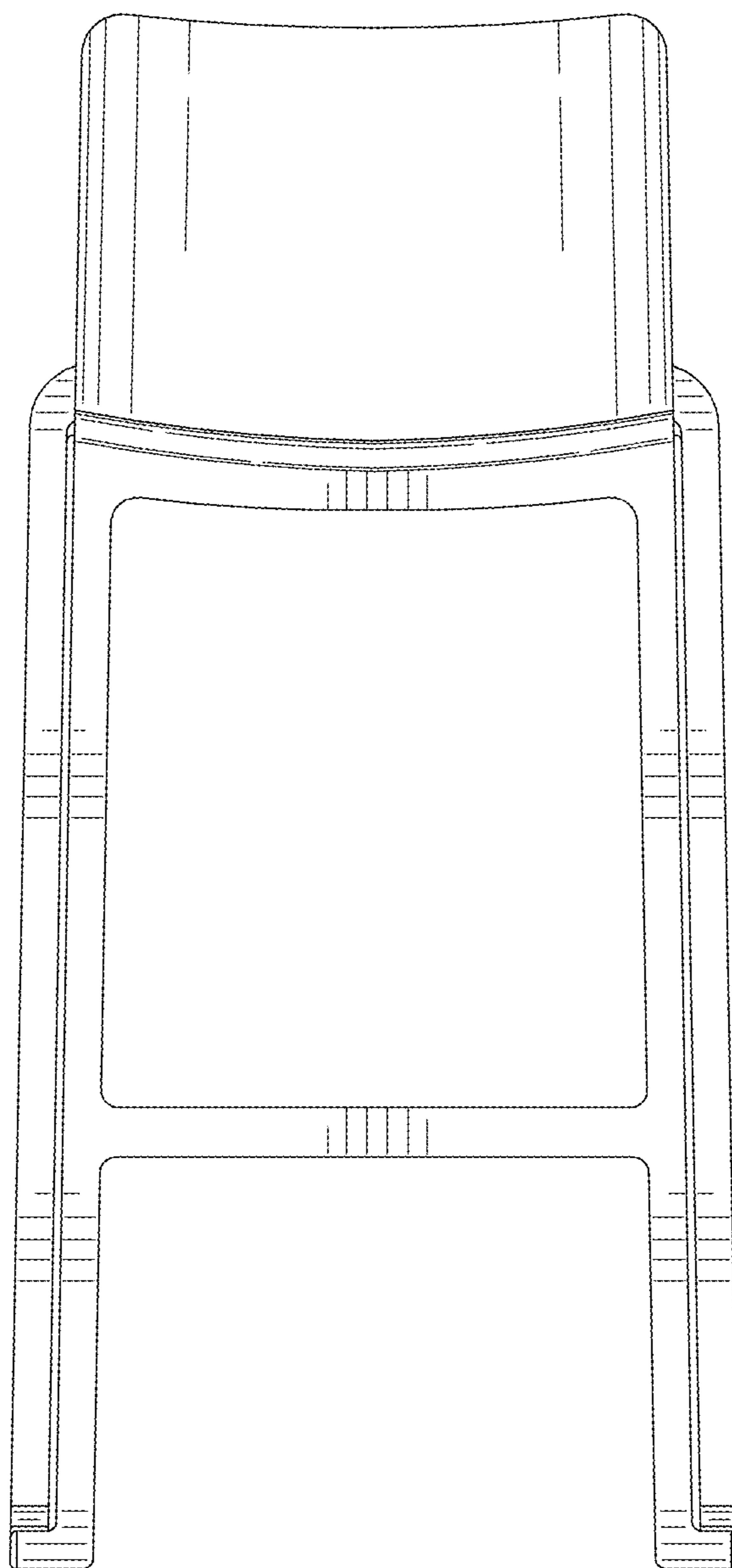


FIG. 7

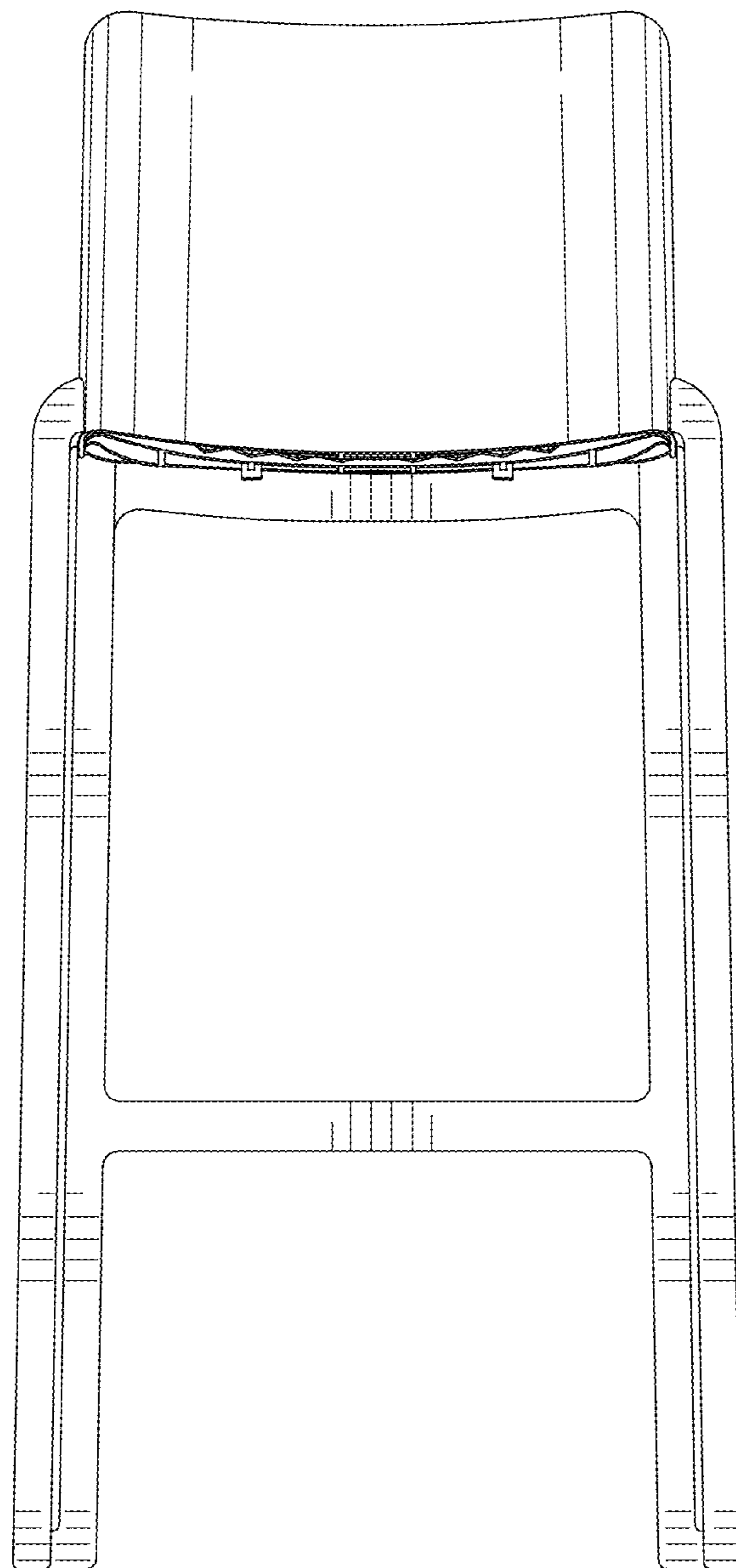


FIG. 8