



US00D825942S

(12) **United States Design Patent** (10) **Patent No.:** **US D825,942 S**  
**Hunter et al.** (45) **Date of Patent:** **\*\* \*Aug. 21, 2018**

- (54) **IN-CABINET STEP STOOL**
- (71) Applicants: **John Scott Hunter**, Olathe, KS (US);  
**Stefanie R. Hunter**, Olathe, KS (US)
- (72) Inventors: **John Scott Hunter**, Olathe, KS (US);  
**Stefanie R. Hunter**, Olathe, KS (US)
- (\*) Notice: This patent is subject to a terminal disclaimer.
- (\*\*) Term: **15 Years**
- (21) Appl. No.: **29/557,000**
- (22) Filed: **Mar. 4, 2016**
- (51) **LOC (11) Cl.** ..... **06-01**
- (52) **U.S. Cl.**  
USPC ..... **D6/350; D6/353**
- (58) **Field of Classification Search**  
USPC ..... D6/349-353, 358-360, 363-368, 374,  
D6/403-405, 601, 687, 691-691.9,  
D6/692-692.6, 703.6, 703.7, 705;  
D25/62-65  
CPC .... A47C 9/00-9/105; A47C 7/00-7/02; A47C  
16/00-16/04; A47B 7/00-7/02; A47B  
3/00; A47B 3/02; A47B 3/04; A47B 3/12  
See application file for complete search history.

- D351,476 S \* 10/1994 Grosfillex ..... D25/63
- D351,739 S \* 10/1994 Cannon ..... D25/65
- D396,151 S \* 7/1998 Magee ..... D6/335
- D443,072 S \* 5/2001 Schultz ..... D25/65
- D532,118 S \* 11/2006 Reese ..... D25/65
- D550,374 S \* 9/2007 Genova ..... E04H 4/144  
D25/63

(Continued)

**OTHER PUBLICATIONS**

Drop N Step—In Cabinet Step Stool animation from BVS Caps.  
[online] Published May 1, 2017. Retrieved from URL: [https://www.youtube.com/watch?v=6795-rz98Lc.\\*](https://www.youtube.com/watch?v=6795-rz98Lc.*)

(Continued)

*Primary Examiner* — Vy N Koenig

(74) *Attorney, Agent, or Firm* — Dale J. Ream

(57) **CLAIM**

The ornamental design for an in-cabinet step stool, as shown and described.

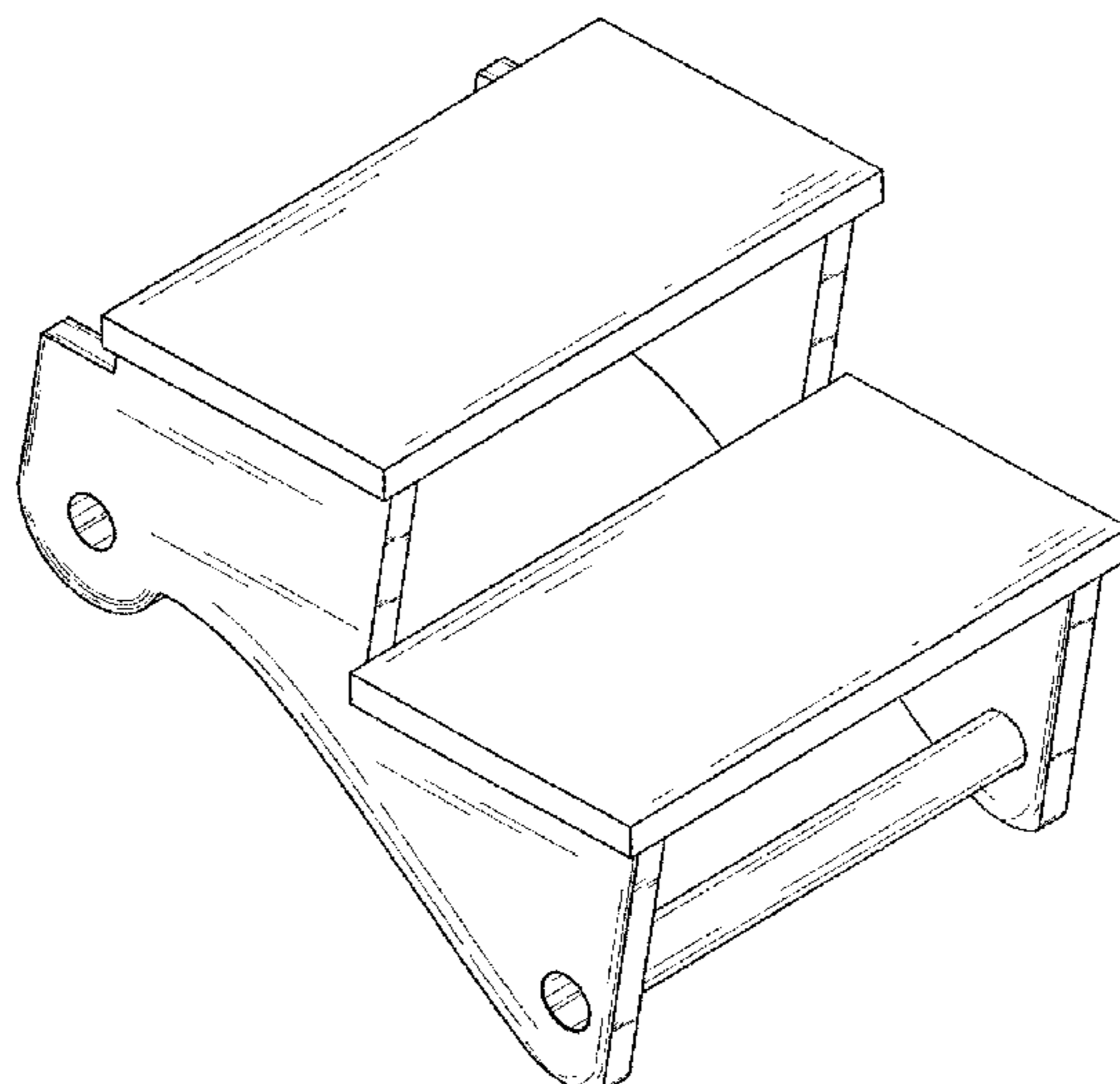
**DESCRIPTION**

FIG. 1 is a perspective view of an in-cabinet step stool showing our new design;  
 FIG. 2 is a front view thereof;  
 FIG. 3 is a back view thereof;  
 FIG. 4 is a left side view thereof;  
 FIG. 5 is a right side view thereof;  
 FIG. 6 is a top view thereof;  
 FIG. 7 is a bottom view thereof;  
 FIG. 8 is a perspective view of an in-cabinet step stool showing our new design in a stored configuration thereof; and,  
 FIG. 9 is a perspective view of an in-cabinet step stool showing our new design in use.  
 In the drawings, the broken lines represent unclaimed environment subject matter and form no part of the claimed design.

**1 Claim, 9 Drawing Sheets**

(56) **References Cited**  
U.S. PATENT DOCUMENTS

- D157,697 S \* 3/1950 Peppin ..... D6/335
- D173,804 S \* 1/1955 Goldman et al. .... D25/65
- D181,793 S \* 12/1957 Hansen ..... 297/129
- D194,399 S \* 1/1963 De Muth ..... D25/63
- 3,367,712 A \* 2/1968 Greene ..... A47C 12/02  
182/33.3
- D212,086 S \* 8/1968 Gilman ..... D25/65
- D273,919 S \* 5/1984 Pasinski ..... D25/65
- D287,315 S \* 12/1986 Ginouves ..... D6/335
- D307,800 S \* 5/1990 Hradisky ..... D25/65
- D350,030 S \* 8/1994 Abrams ..... D6/334



(56)

**References Cited**

U.S. PATENT DOCUMENTS

8,037,649 B2 \* 10/2011 Jakubowski ..... A01K 1/035  
403/361  
D649,371 S \* 11/2011 Wilcox ..... D6/350  
D653,043 S \* 1/2012 Rumley ..... D6/338  
8,453,795 B2 \* 6/2013 Lee ..... A47C 12/00  
182/33  
9,611,691 B1 \* 4/2017 Hunter ..... E06C 1/005  
2007/0103040 A1 \* 5/2007 Barrett ..... A47B 7/00  
312/279  
2008/0257280 A1 \* 10/2008 Jakubowski ..... A01K 1/035  
119/849  
2011/0017547 A1 \* 1/2011 Lee ..... A47C 12/00  
182/23

OTHER PUBLICATIONS

25+ best ideas about Step Stools on Pinterest | Short stools, Ladders and step stools and Rustic kids step stools. [online] Retrieved Jun. 12, 2017 from URL: <https://www.pinterest.com/pin/514114113690277695>.\*

\* cited by examiner

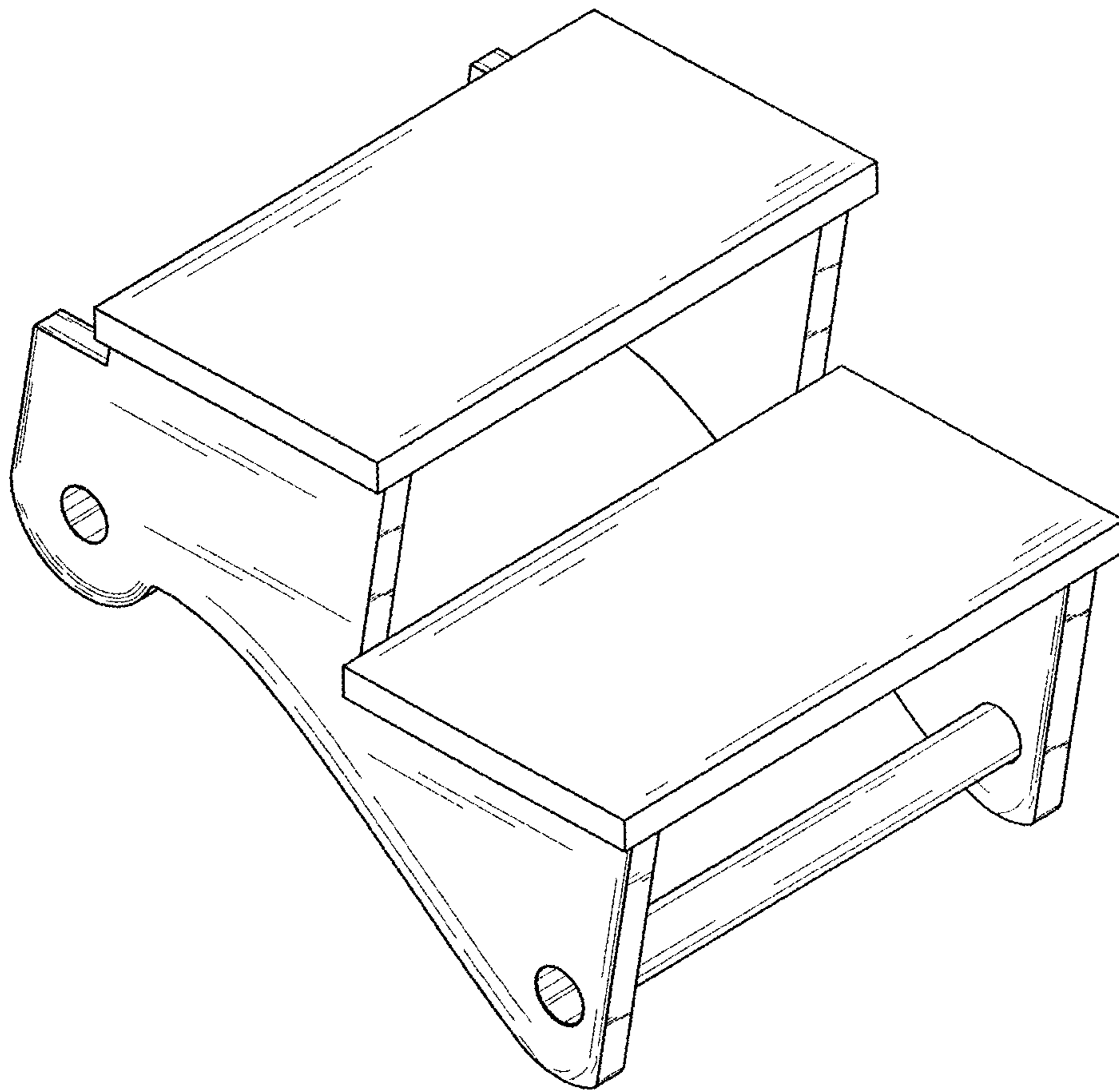


FIG. 1

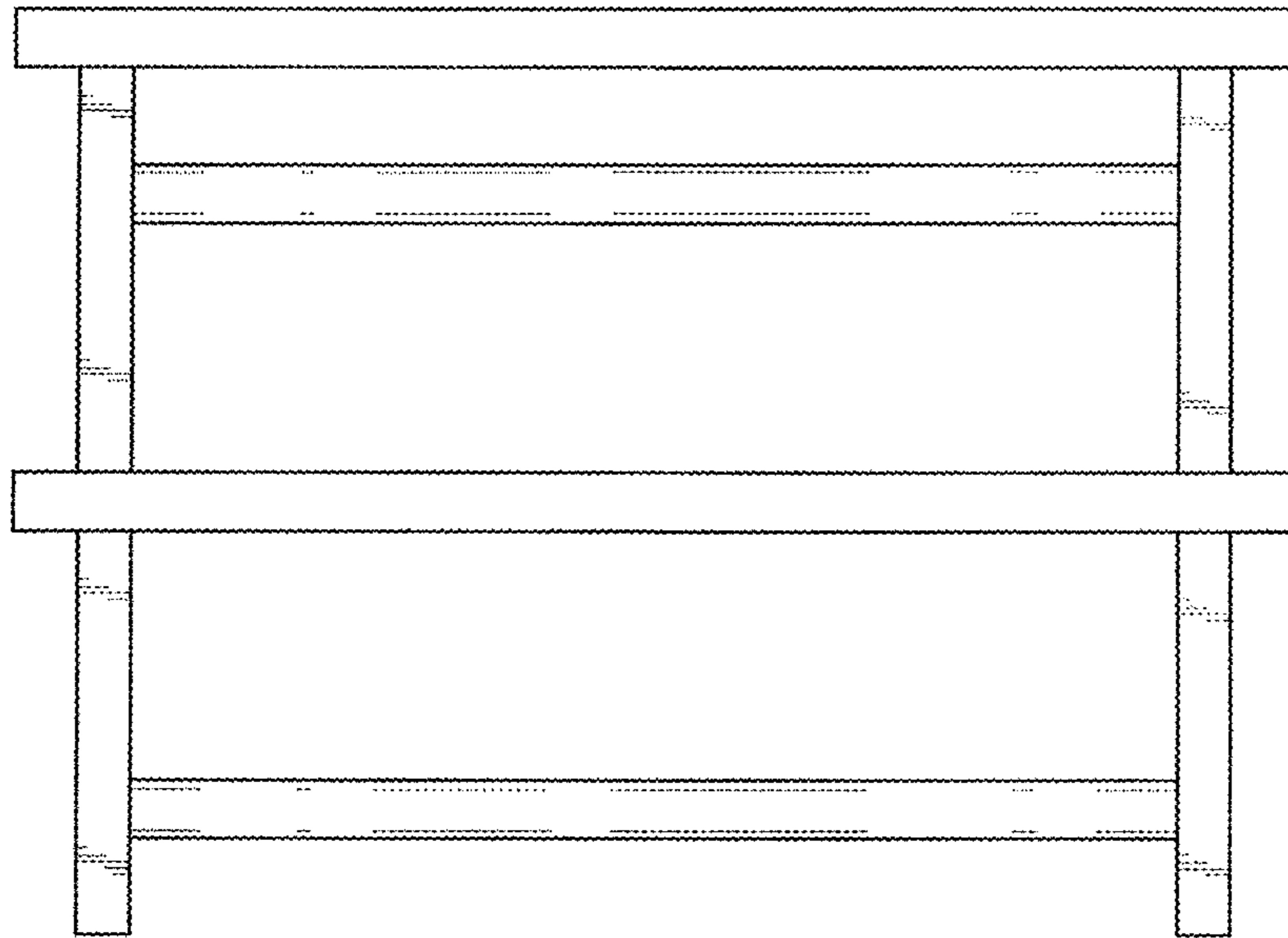


FIG. 2

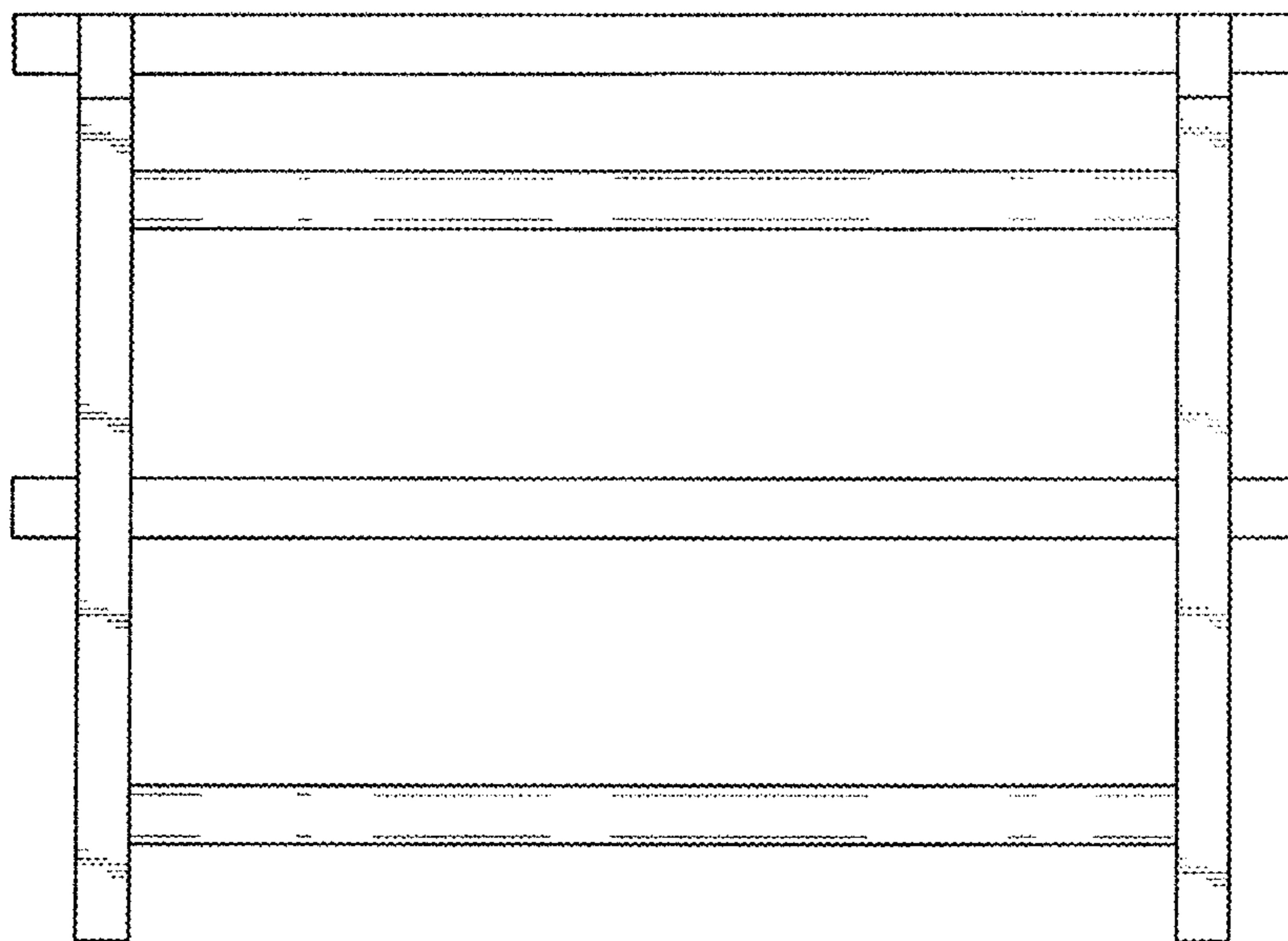


FIG. 3

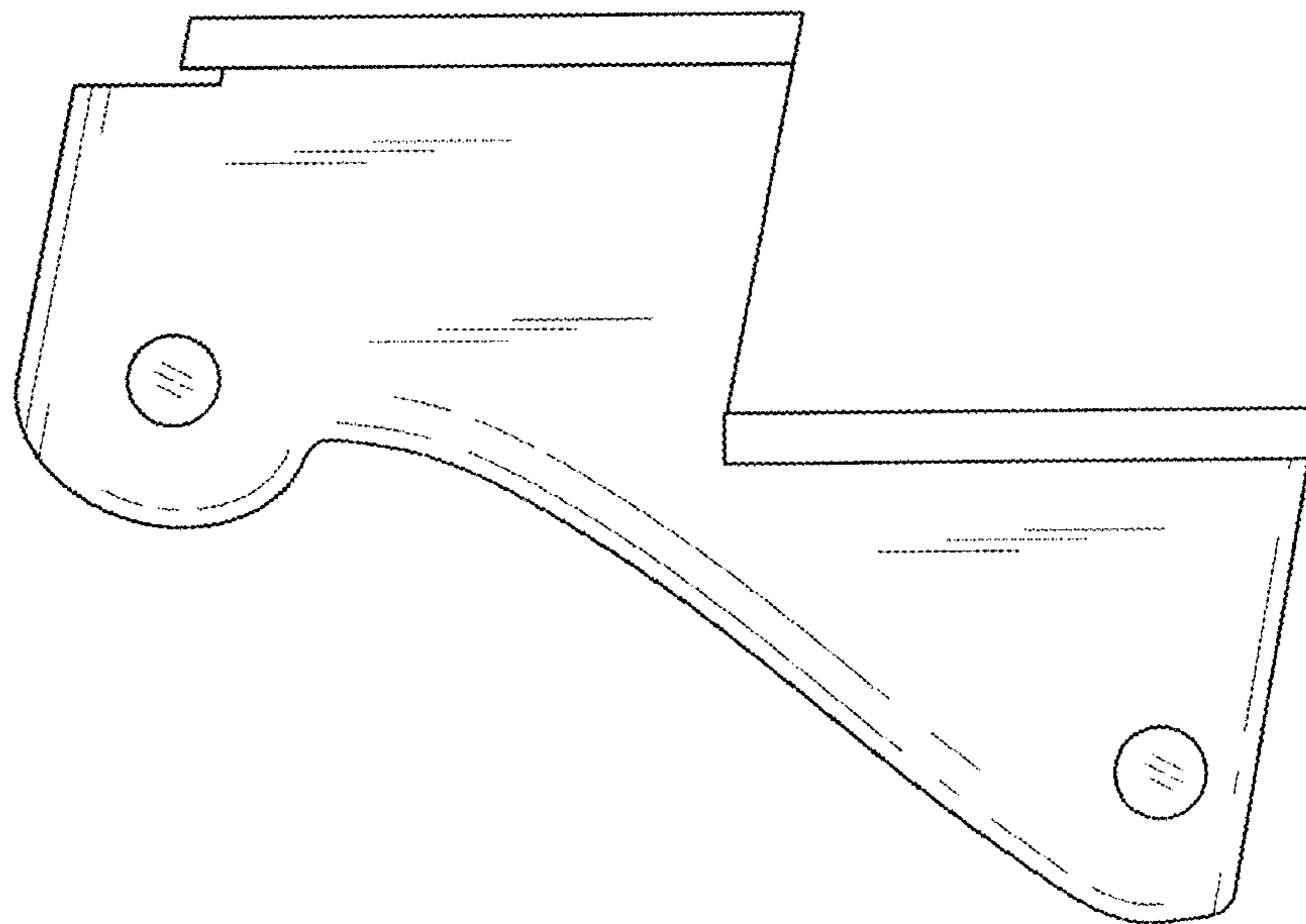


FIG. 4

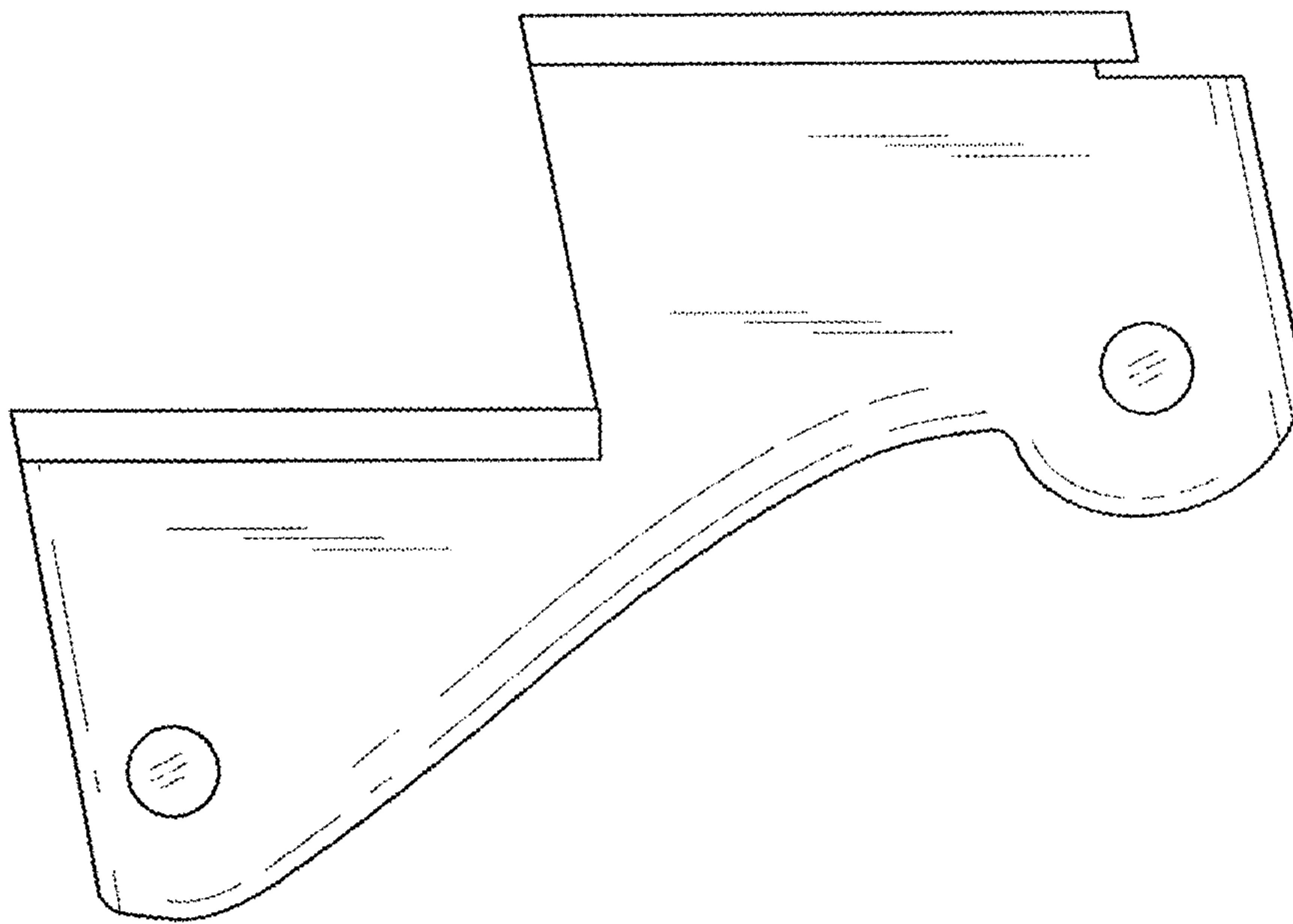


FIG. 5

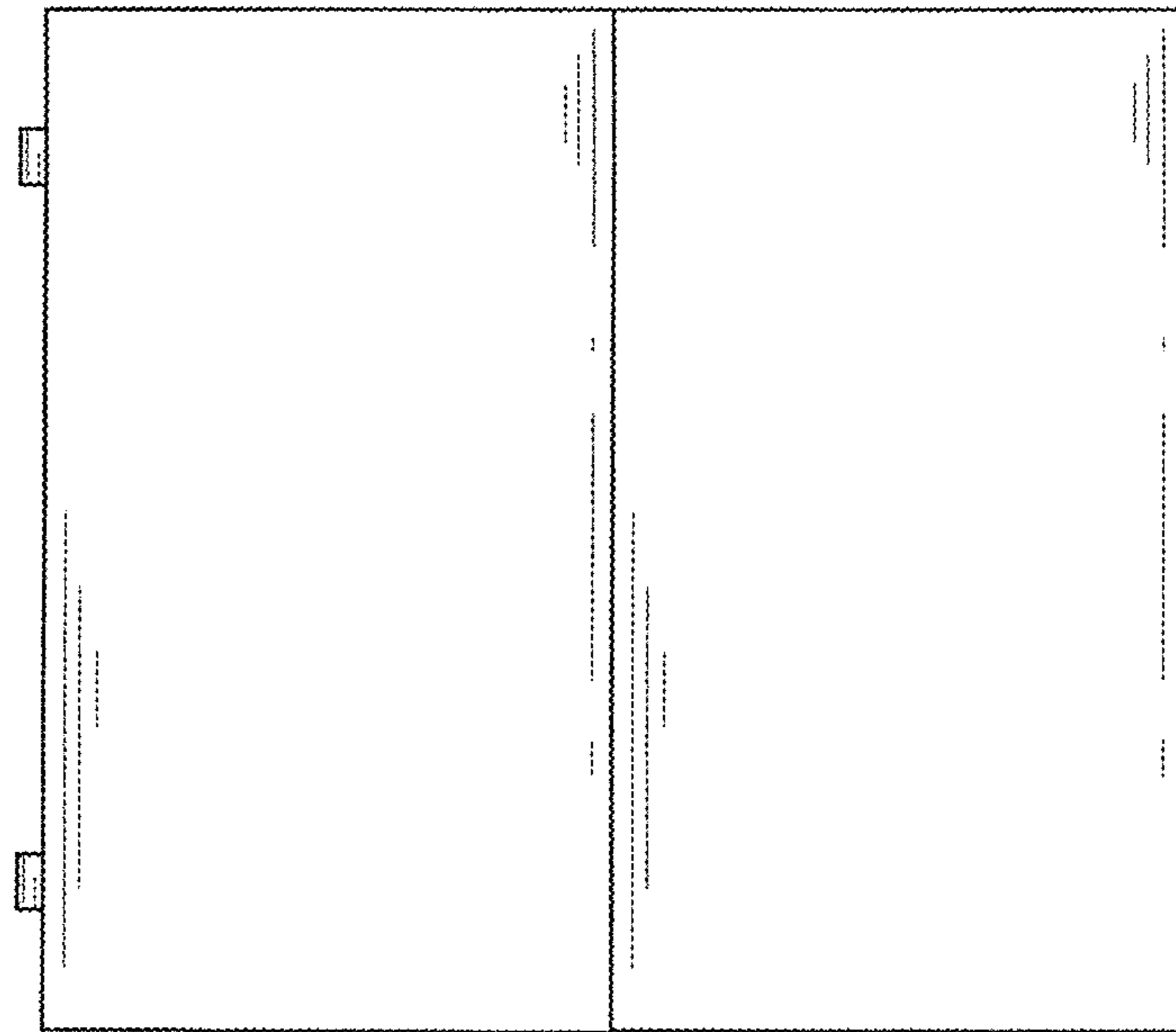


FIG. 6



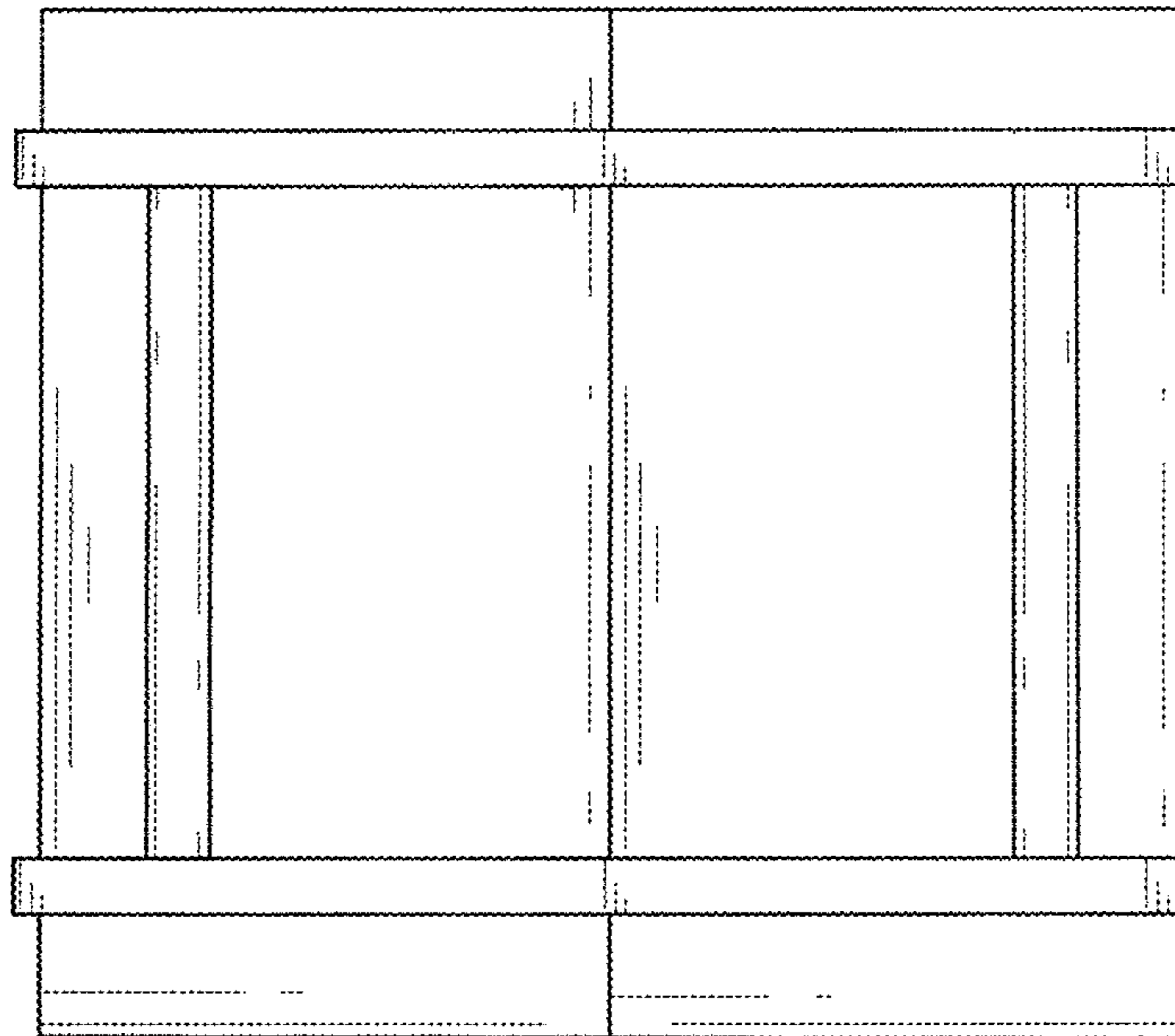


FIG. 7

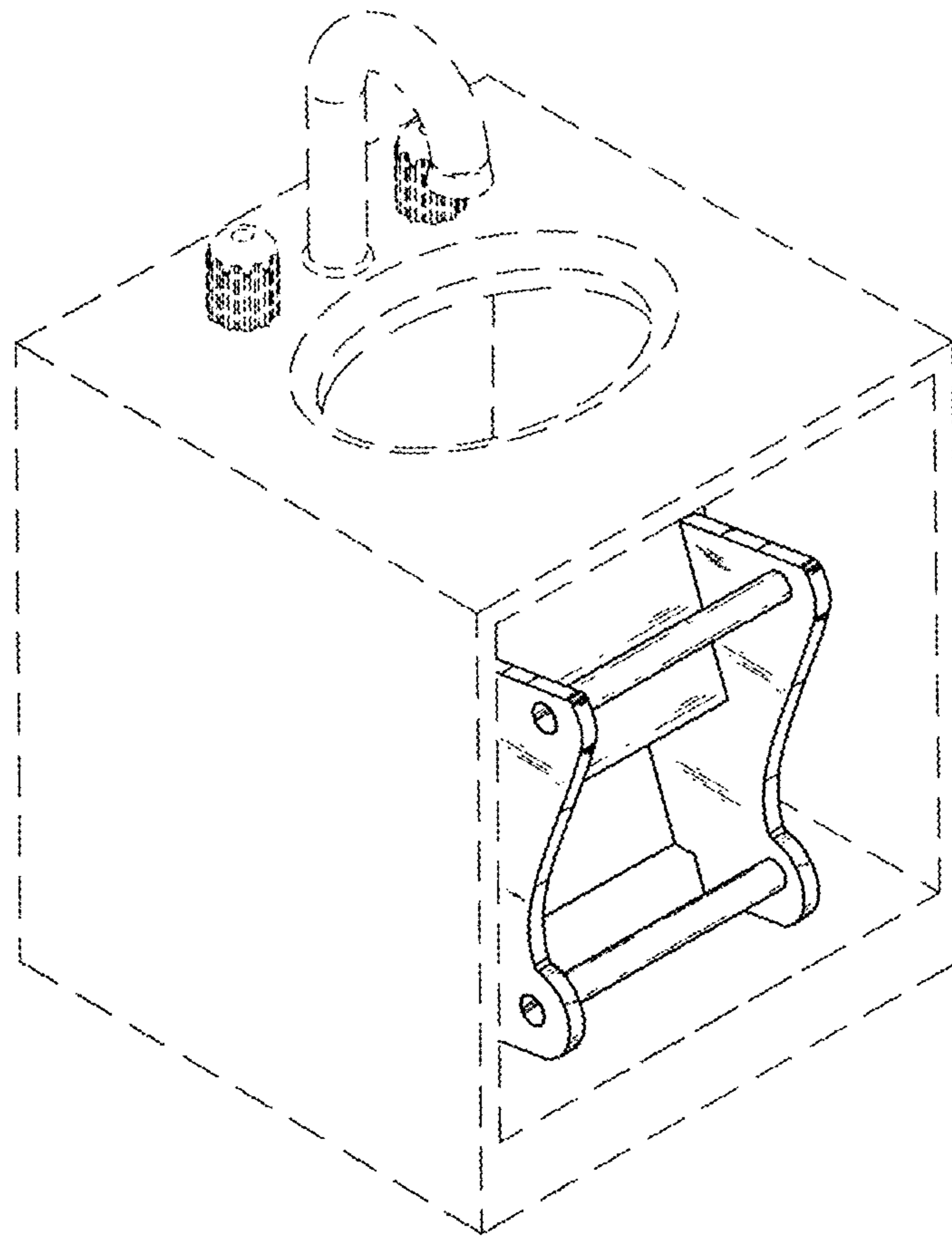


FIG. 8

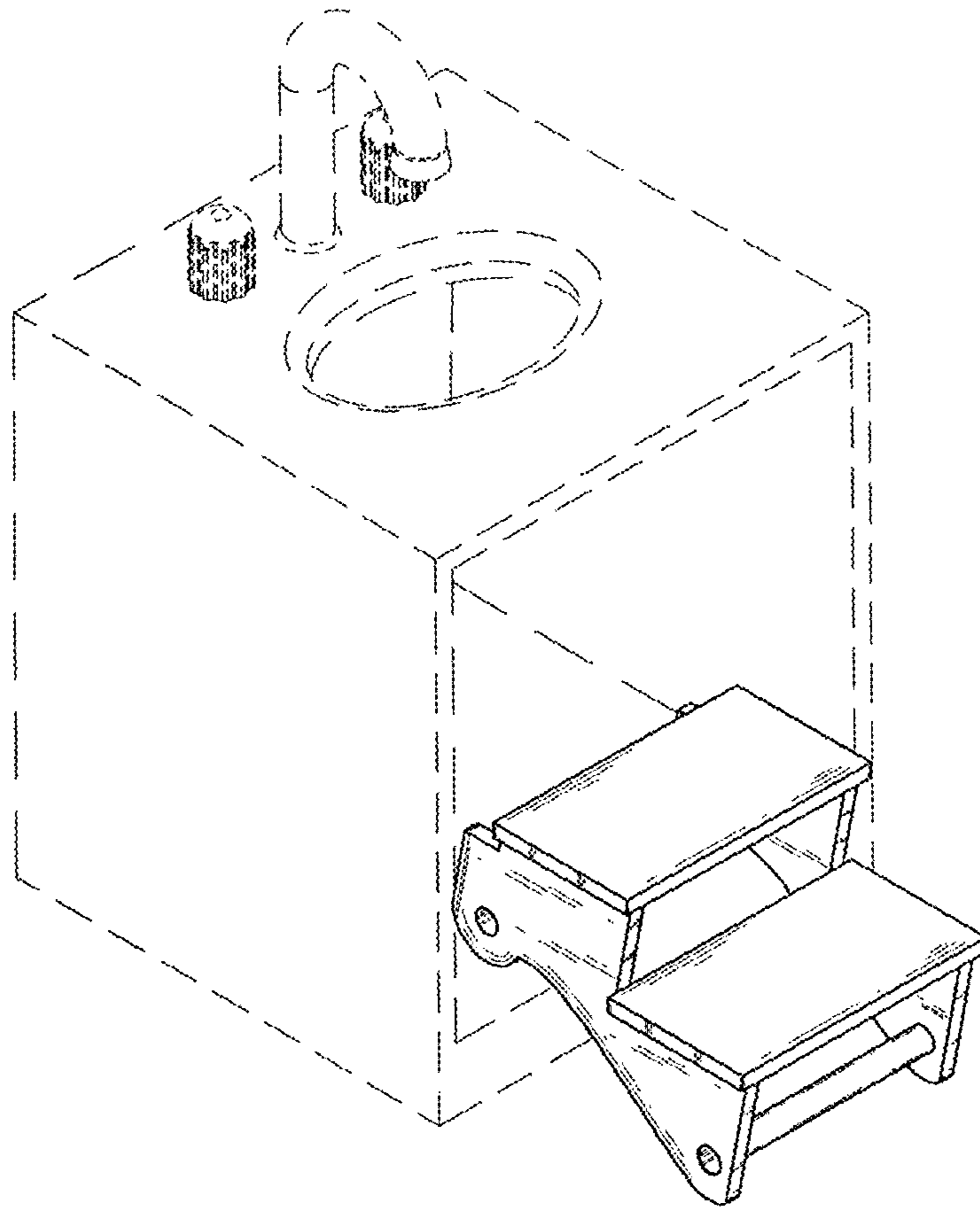


FIG. 9